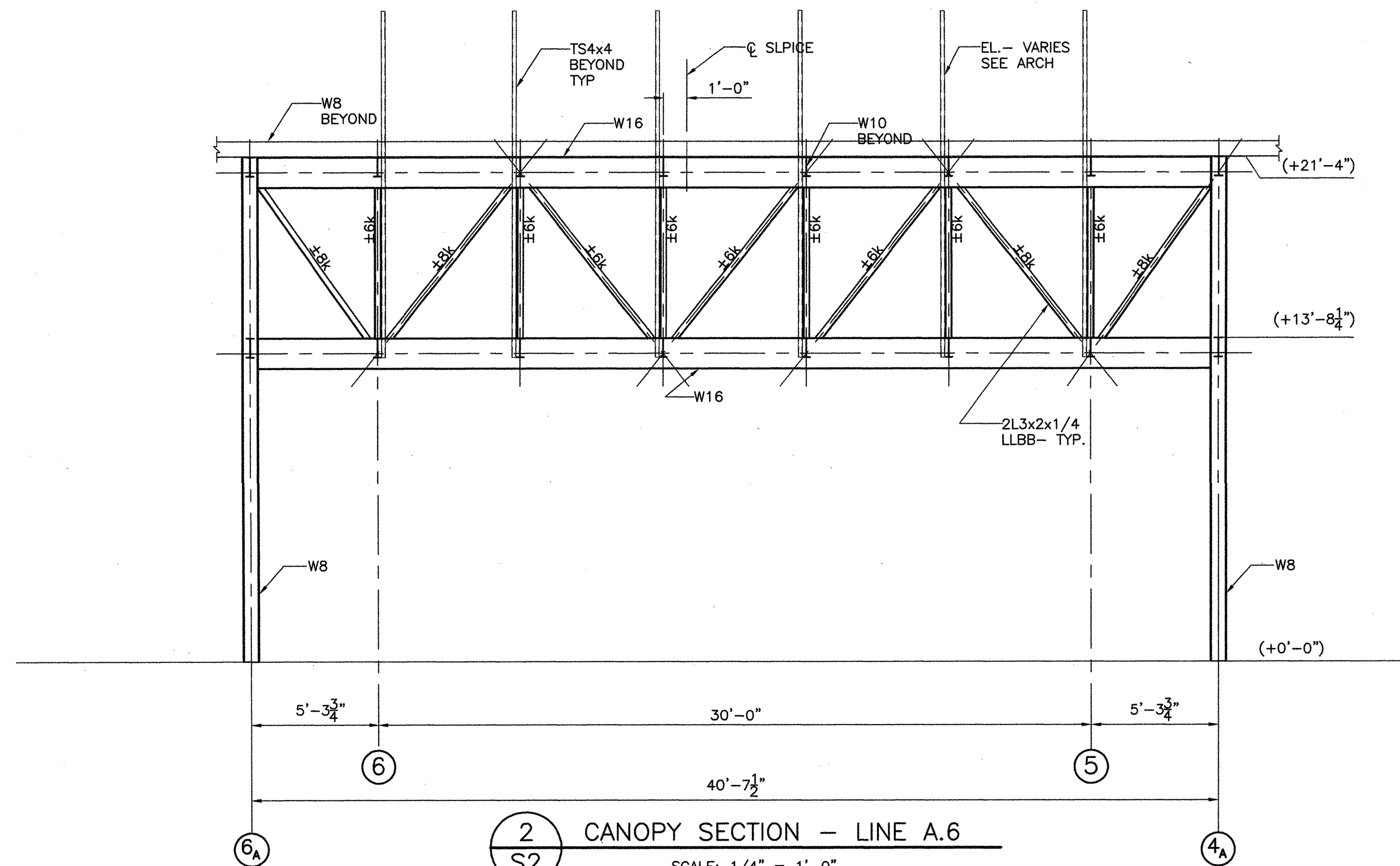
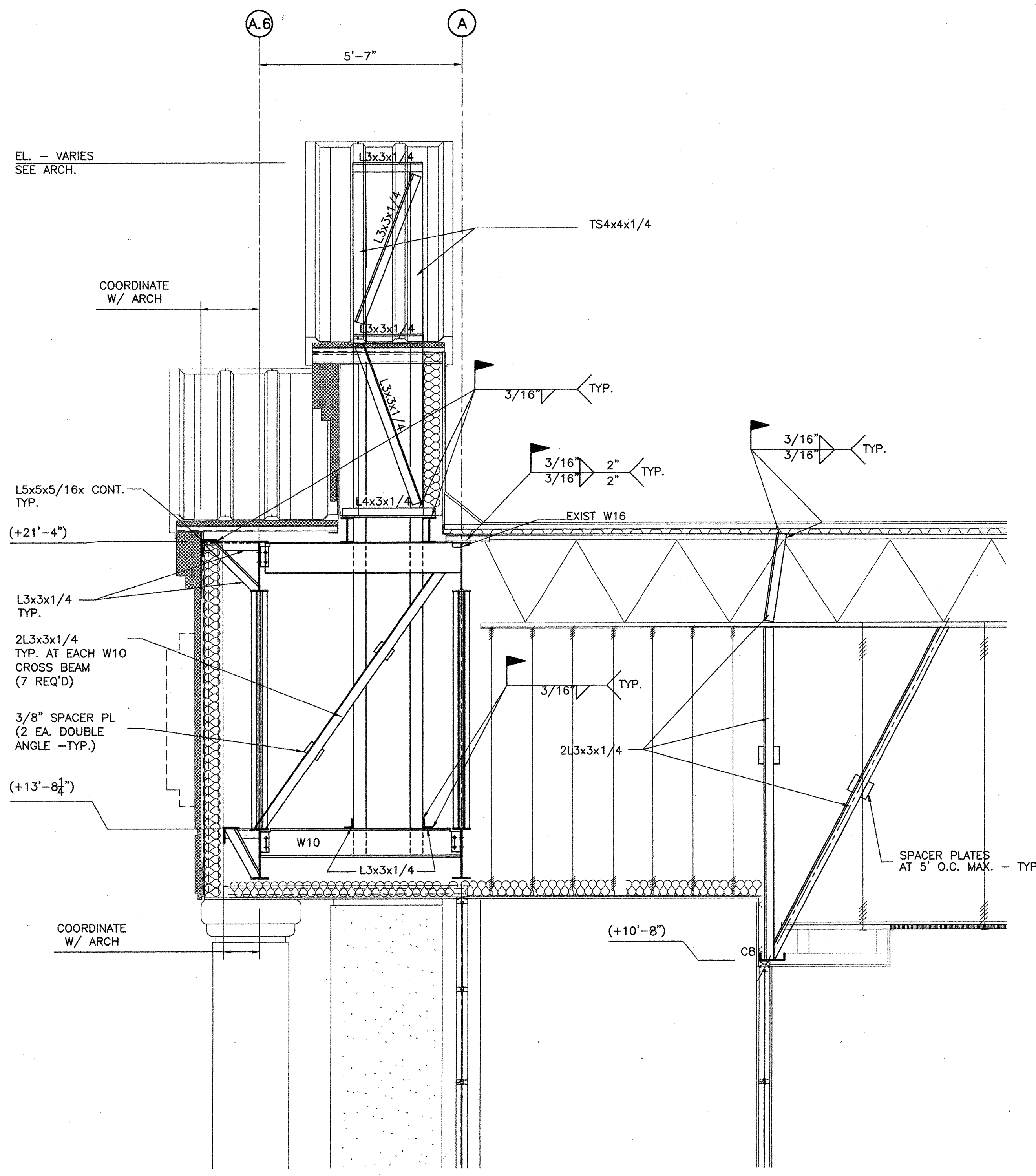


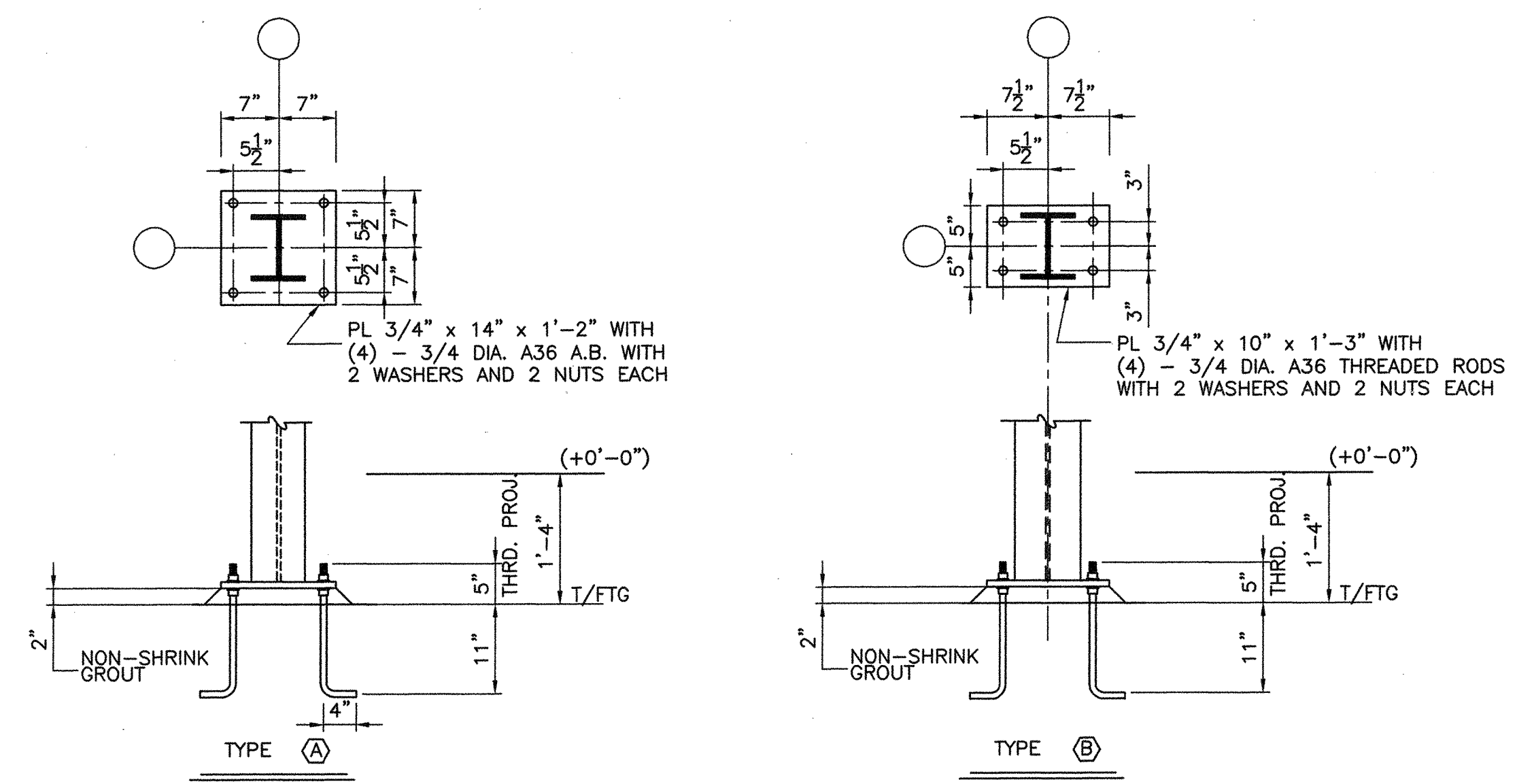
1 CANOPY SECTION - LINE A  
S2 SCALE: 1/4" = 1'-0"



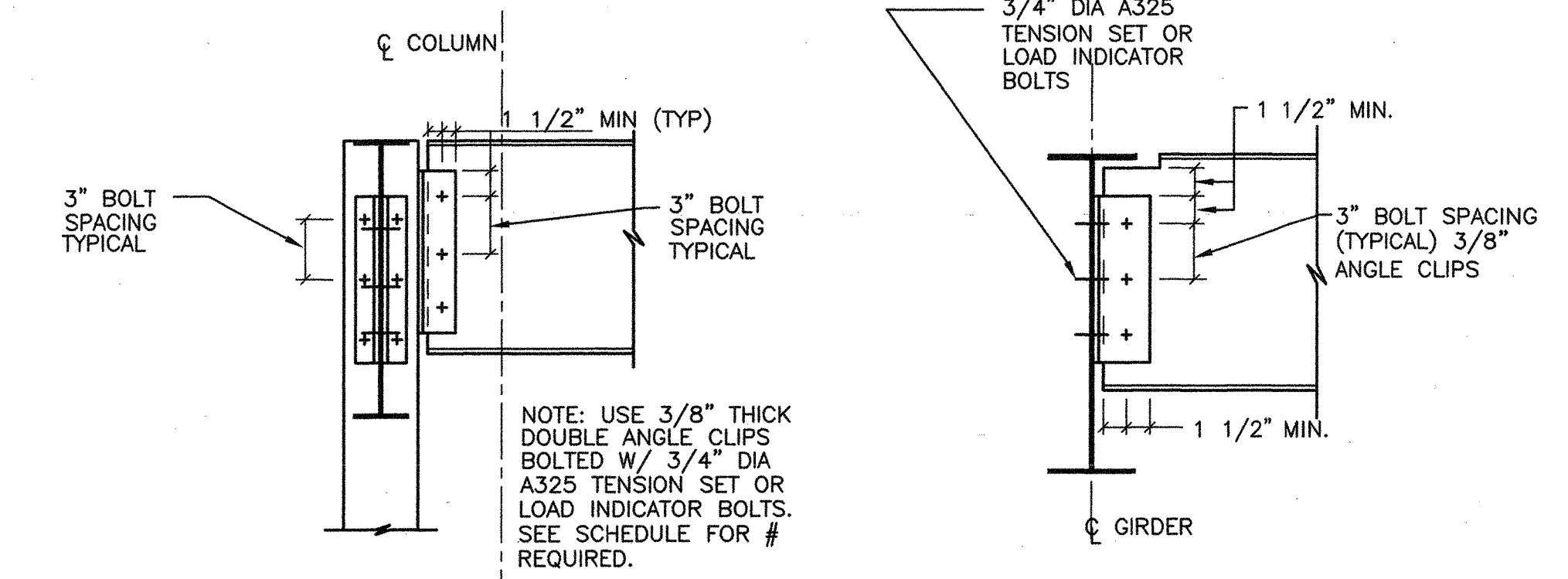
2 CANOPY SECTION - LINE A.6  
S2 SCALE: 1/4" = 1'-0"



3 CANOPY SECTION  
S2 SCALE: 1/2" = 1'-0"

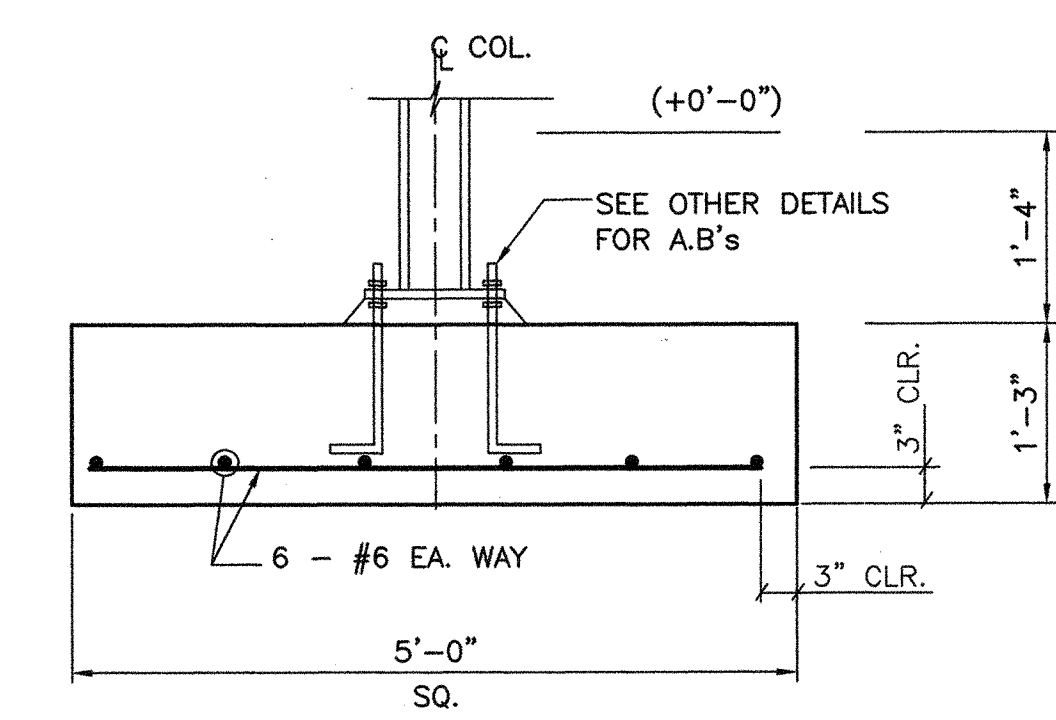


4 BASE PLATE DETAILS  
S2 SCALE: 3/4" = 1'-0"

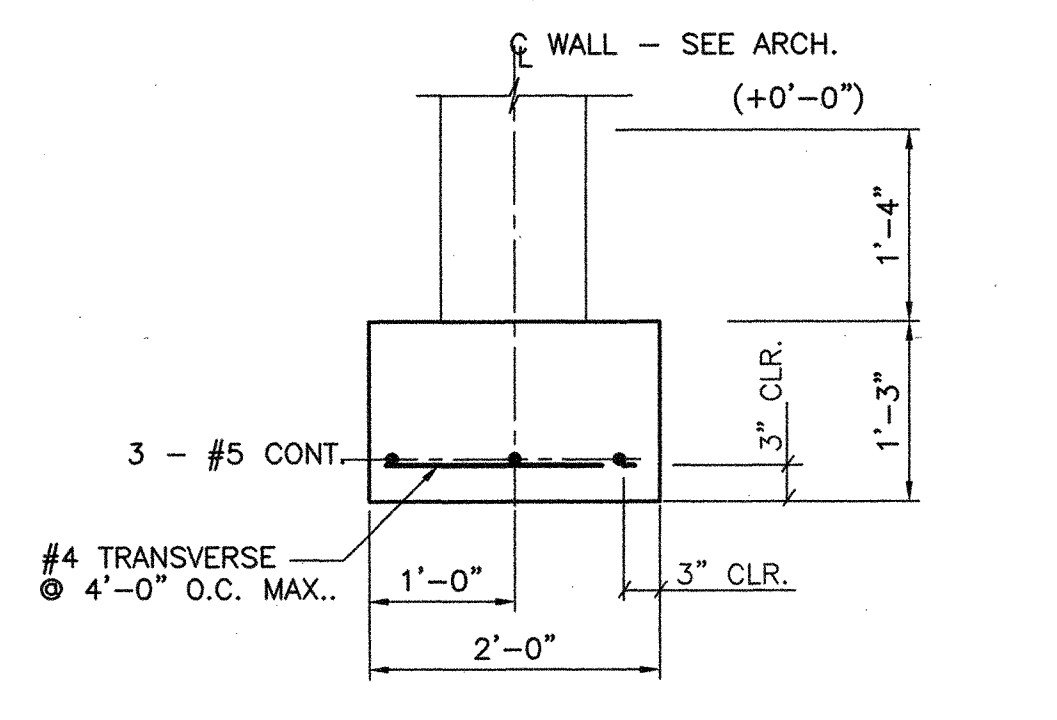


5 TYP. CONNECTION DETAILS  
S2 SCALE: 3/4" = 1'-0"

REQUIRED BOLTS	
BEAM/GIRDER SIZE	N=# BOLTS IN BEAM OR GIRDER, 2N IN COL.
W8, W10, W12	2
W14, W16	3

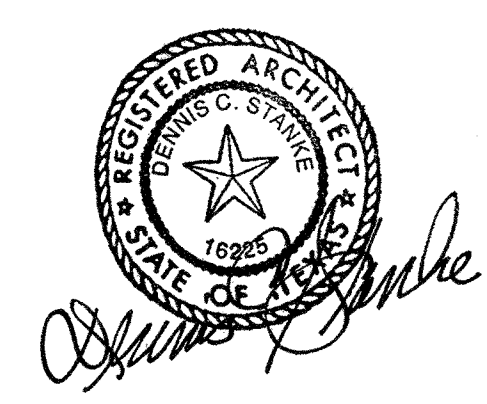


6 SECTION - TYPICAL COL. FOOTING  
S2 SCALE: 3/4" = 1'-0"

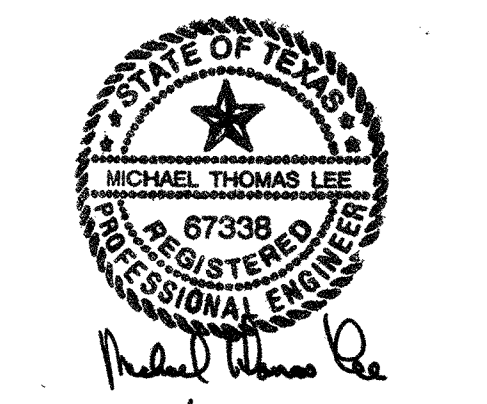


7 SECTION - TYPICAL WALL FOOTING  
S2 SCALE: 3/4" = 1'-0"

RPDG RETAIL PLANNING DESIGN GROUP  
 300 S. MOOREHEAD STREET, SUITE 814  
 GREENSBORO, NC 27401-4550 • TEL: (703) 337-1864 • FAX: (703) 337-8331  
 Gannett Fleming  
 300 S. MOOREHEAD STREET, SUITE 814  
 GREENSBORO, NC 27401-4550 • TEL: (703) 337-1864 • FAX: (703) 337-8331  
 CANOPY FRAMING PLANS AND FOUNDATION PLAN  
 BELK CROSSROADS MALL GREENSBORO, NC  
 PROJECT NO. 124  
 SHEET NO. 12  
 DATE 1/29/99  
 ARCH. SHEET NO. S2



Expiration: 7/31/99  
Affixed: 2/17/99



1/29/99