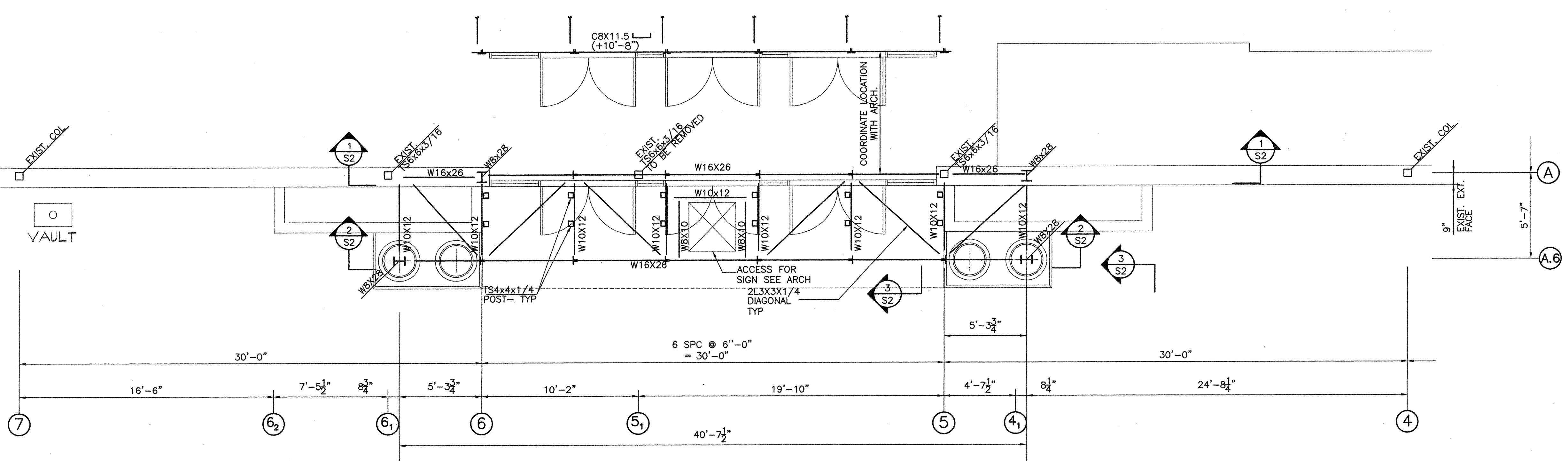
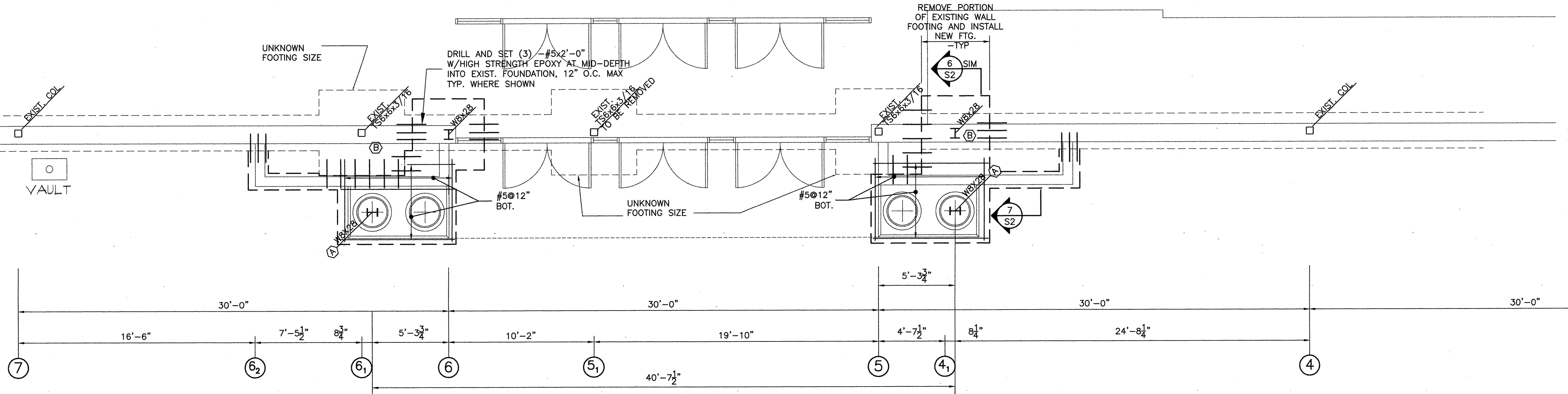


1 CANOPY ROOF FRAMING PLAN
 SCALE: 1/4" = 1'-0" T/S (+21'-4") U.N.O.



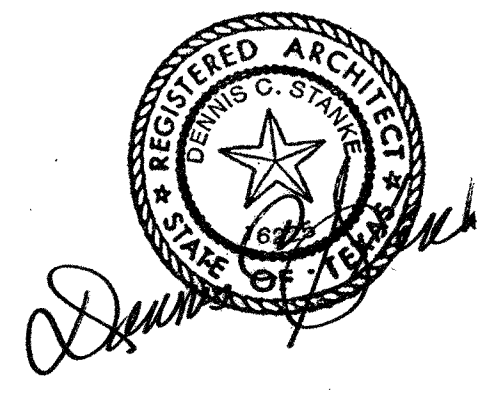
2 CANOPY INTERMEDIATE FRAMING PLAN
 SCALE: 1/4" = 1'-0" T/S (+13'-8 1/4") U.N.O.



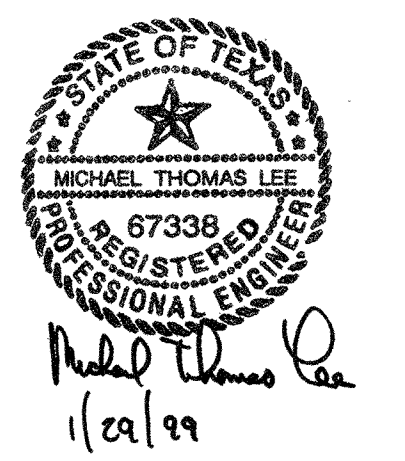
3 CANOPY FOUNDATION PLAN
 SCALE: 1/4" = 1'-0" T/FOOTING (-1'-4") U.N.O.

- SHEET NOTES:**
- (+XX'-XX") INDICATES TOP OF STEEL REFERENCED TO FINISHED FLOOR ELEVATION (+0'-0"). [-X] INDICATES MISCELLANEOUS TOP OF STEEL RELATIVE TO SPECIFIC PLAN TOP OF STEEL.
 - PROVIDE CONTINUOUS L5x3x1/4 AROUND PERIMETER OF ALL ROOF AREAS FOR DECK SUPPORT.
 - SEE SHEET S2 FOR BASEPLATE DETAILS. BASEPLATES DESIGNATED ON PLAN BY .
 - SEE DETAIL 6/S2 AND 7/S2 FOR FOOTING DETAILS.

- GENERAL NOTES**
- STRUCTURAL DRAWINGS SHALL BE USED IN CONJUNCTION WITH AND COORDINATED WITH ARCHITECTURAL DRAWINGS AND OTHER CONTRACT DOCUMENTS.
 - THE APPLICABLE BUILDING CODE FOR THE DESIGN AND CONSTRUCTION OF THIS PROJECT IS THE SOUTHERN BUILDING CODE.
 - SHOP DRAWINGS ON ALL MATERIALS SHALL BE SUBMITTED FOR APPROVAL BEFORE FABRICATION. CONTRACTOR SHALL REVIEW, APPROVE, SIGN AND DATE ALL COPIES OF ALL SHOP DRAWINGS AND DETAIL SHEETS PRIOR TO SUBMISSION. STRUCTURAL DRAWINGS SHALL NOT BE REPRODUCED OR OTHERWISE USED IN ANY FORM AS ERECTION DRAWINGS OR SHOP DRAWINGS. SHOP DRAWINGS SUBMITTED TO THIS OFFICE FOR REVIEW WHICH HAVE RE-USED OR DUPLICATED ANY PORTION OF THESE DRAWINGS SHALL BE AUTOMATICALLY REJECTED AND RETURNED FOR RESUBMITTAL.
 - DESIGN, DETAILING, FABRICATION AND ERECTION OF STRUCTURAL STEEL SHALL BE IN ACCORDANCE WITH THE AISC "SPECIFICATION FOR STRUCTURAL STEEL BUILDINGS", ALLOWABLE STRESS DESIGN AND THE AISC "STRUCTURAL STEEL DETAILING" MANUAL.
 - STRUCTURAL STEEL SHALL CONFORM TO ASTM A-36 OR ASTM A572 GRADE 50, EXCEPT AS FOLLOWS:
 A. TUBES SHALL CONFORM TO ASTM A500, GRADE B, Fy= 46 ksi
 B. PIPES SHALL CONFORM TO ASTM A501, Fy= 36 ksi
 - ALL SHOP AND FIELD WELDING SHALL BE BY A CERTIFIED WELDER AND SHALL CONFORM TO AWS STANDARDS. WELDER'S CERTIFICATIONS MUST BE CURRENT.
 - ALL BOLTS SHALL CONFORM TO ASTM A325-X HIGH STRENGTH BOLTS, 3/4" DIA. UNLESS NOTED OTHERWISE.
 - SHEAR CONNECTIONS NOT SPECIFICALLY DETAILED ON THE DRAWINGS SHALL BE DESIGNED TO 60% OF BEAM CAPACITY OR THE REACTION SHOWN ON THE DRAWINGS, WHICHEVER IS GREATER.
 - CALCULATIONS FOR CONNECTIONS DESIGNED BY FABRICATOR SHALL BE BY A PROFESSIONAL ENGINEER REGISTERED IN THE STATE OF NORTH CAROLINA AND SHALL BE SUBMITTED TO THE ENGINEER OF RECORD FOR REVIEW.
 - WELDED CONNECTIONS ARE TO BE SHOP-WELDED AND FIELD CONNECTIONS BOLTED, UNLESS NOTED ON DRAWINGS. CONTACT THE ENGINEER BEFORE WELDING ANY CONNECTIONS IN THE FIELD. ALL FIELD WELDS MUST BE INSPECTED AND TESTED BY AN INDEPENDENT TESTING LABORATORY.
 - THE CONTRACTOR SHALL VERIFY ALL DIMENSIONS, ELEVATIONS, AND ETC. PRIOR TO FABRICATION AND ERECTION OF STRUCTURAL STEEL.
 - CONTRACTOR SHALL PROVIDE ADEQUATE TEMPORARY BRACING UNTIL PERMANENT BRACING AND PERIMETER WALLS ARE INSTALLED AND ARE CAPABLE OF SUPPORTING STRUCTURE.
 - FOUNDATION DESIGN OF FOOTINGS BASED ON AN ASSUMED 2500 PSF SOIL BEARING CAPACITY.
 - COMPACT ALL MATERIALS SUPPORTING FOUNDATIONS AND SLABS-ON-GRADE TO 95 PERCENT OF MAXIMUM DRY DENSITY BY STANDARD PROCTOR TEST (ASTM D-698). COMPACTION OF MATERIALS SHALL BE MONITORED BY A QUALIFIED GEOTECHNICAL ENGINEER.
 - ALL CONCRETE WORK SHALL CONFORM TO THE BUILDING CODE REQUIREMENTS FOR REINFORCED CONCRETE ACI 318-95.
 - MINIMUM 28 DAY CONCRETE STRENGTH:
 FOOTINGS AND ALL OTHER : 3000 PSI (150 PCF DENSITY) WITH 3 TO 6 PERCENT ENTRAINED AIR.
 - ALL CONCRETE SHALL BE VIBRATED WHEN PLACED.
 - REINFORCING STEEL: ASTM A615 INCLUDING SUPPLEMENTARY REQUIREMENT S1, GRADE 60 FOR ALL CONCRETE UNLESS OTHERWISE NOTED.
 - CONTINUOUS REINFORCING BARS SHALL BE LAPPED 30 BAR DIAMETERS OR 2'-0" WHICHEVER IS GREATER AT ALL SPLICES UNLESS OTHERWISE NOTED.
 - ANCHOR BOLTS TO BE USED FOR SUPPORT OF COLUMNS SHALL BE SECURELY POSITIONED WITH A PRESET TEMPLATE PRIOR TO POURING OF PIER OR FOOTING. NUTS TO BE TIGHTENED ON EACH SIDE OF THE TEMPLATE.
 - REFERENCE DRAWINGS 3.1, 3.2, 4.1, 4.2, 5.1, 5.2, 5.3, AND 5.4 BY SPANN SWARINGTON FORT SUDDUTH & YOE OF LITTLE ROCK/ROGERS, ARKANSAS, PROJECT NO. 128111 DATED SEPTEMBER 1981.



Expiration: 7/31/99
 Affixed: 2/17/99



1/2/99

RPDG PLANNING DESIGN GROUP
 REGISTERED PROFESSIONAL ENGINEERS AND ARCHITECTS
 301 S. MOORELL STREET, SUITE 214
 GREENVILLE, NORTH CAROLINA 27631
 TEL: (704) 535-2435 FAX: (704) 535-8981

CANOPY FRAMING PLANS AND FOUNDATION PLAN
 BELK CROSSROADS MALL
 GREENVILLE, TX

NO. OF SHEETS	1	2	3	4
TOTAL NO. OF SHEETS	4	4	4	4
DATE	1/2/99	1/2/99	1/2/99	1/2/99
DESIGNED BY				
CHECKED BY				
APPROVED BY				
DATE				
PROJECT NO.				
ARCH. SHEET NO.				

S1