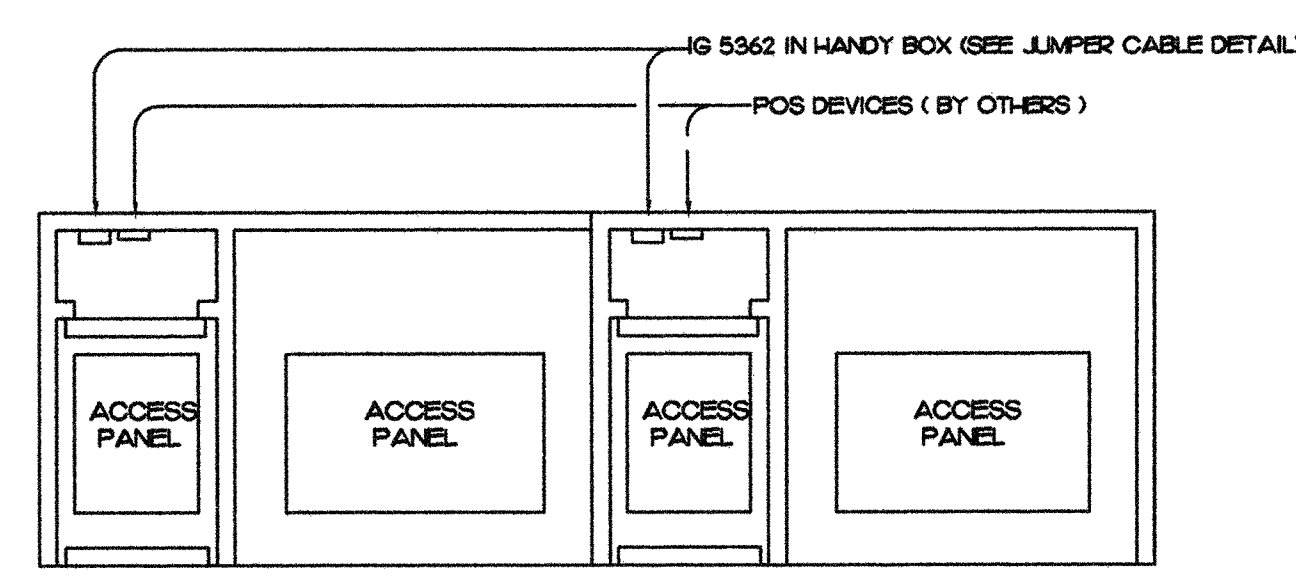
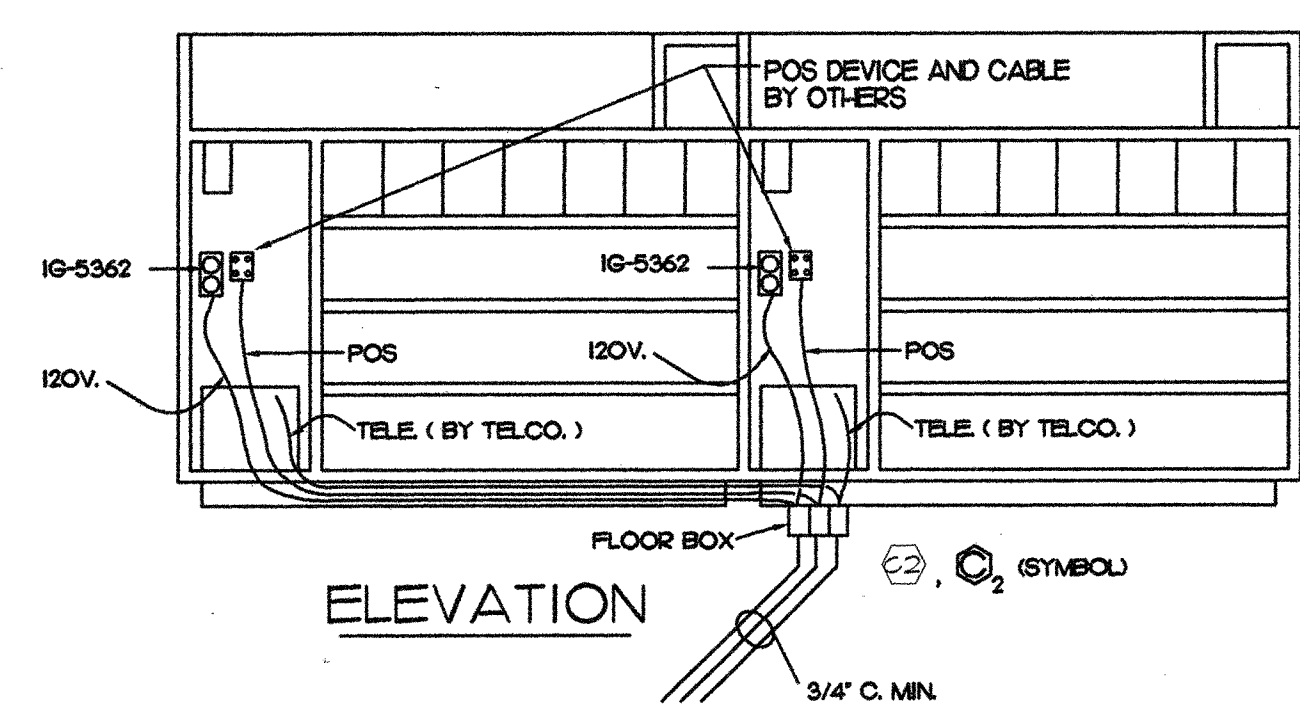


POWER REQUIREMENTS FOR POS INSTALLATION

- A. POWER CONNECTIONS FOR CASH REGISTERS SHALL BE CONNECTED TWO TO A CIRCUIT, MAXIMUM. EACH RECEPTACLE IN A FLOOR BOX SHALL BE AN IG-5362 WITH AN IG-5362 MOUNTED IN THE CASH STAND AS DETAILED. (SEE JUMPER CABLE DETAILS.)
- B. JUMPER CABLES SHALL BE MADE AS DETAILED. JUMPERS SHALL BE INSTALLED WHERE CIRCUIT FEED IS FROM FLOOR BOX.
- C. RECEPTACLE MANUFACTURES ACCEPTABLE TO THE ARCHITECT/ENGINEER SHALL BE BRYANT, P & S, HUBBELL AND G.E. OF THE GRADE INDICATED BY THE NUMBER USED. (15 AMP RECEPTACLES ARE NOT ACCEPTABLE ON 20 AMP BREAKERS.)
- D. HOLE IN TOP OF CASH STAND SHALL BE 2" MIN. DIAMETER. A LIFT OUT PANEL WILL BE CUT (12" X 15") BY OTHERS UNDER TRASH BIN AND/OR ELSEWHERE AS NEEDED. ACCESS UP INTO VOID BEHIND TRASH BIN IS AVAILABLE.
- E. WHERE CONDUIT AND WIRE ARE NOT USED, TEFLON OR PLENCOTE WIRE MUST BE INSTALLED IF AIR PLENUM CEILING EXISTS.

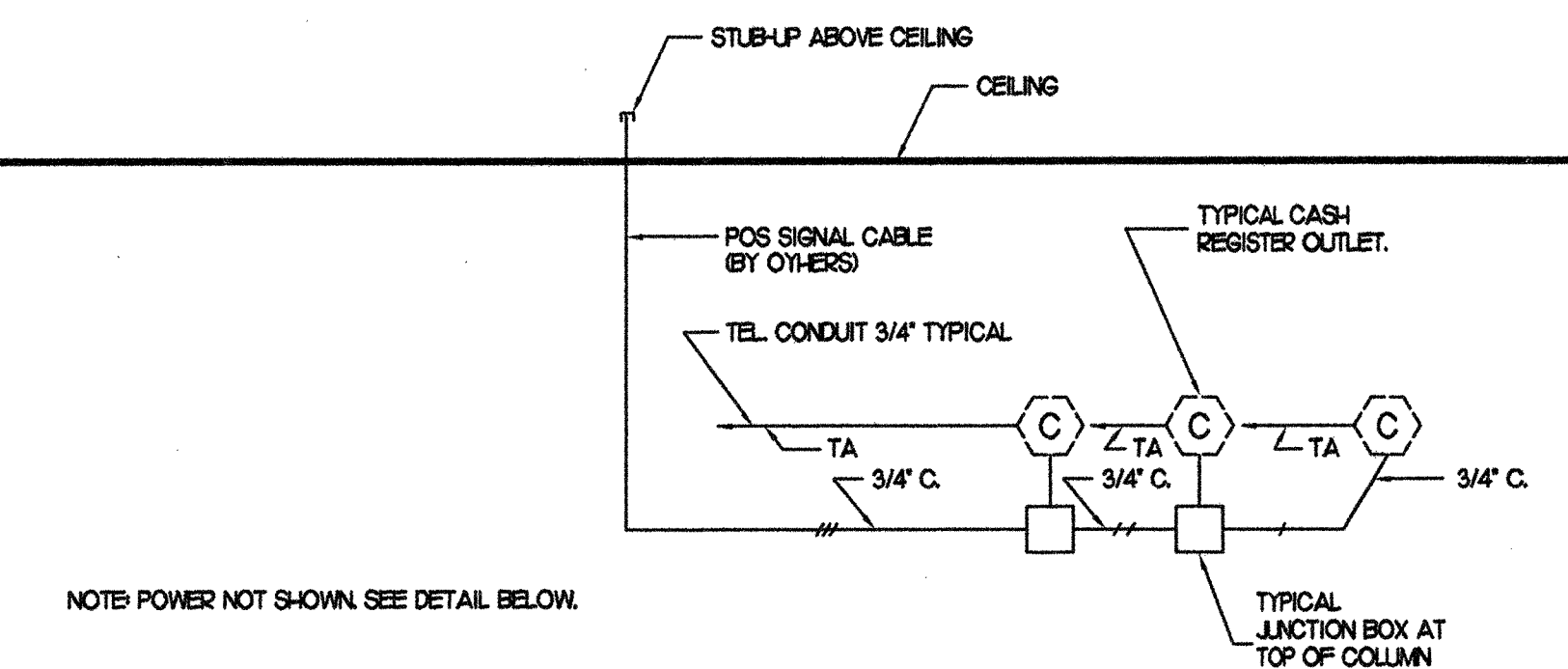


PLAN

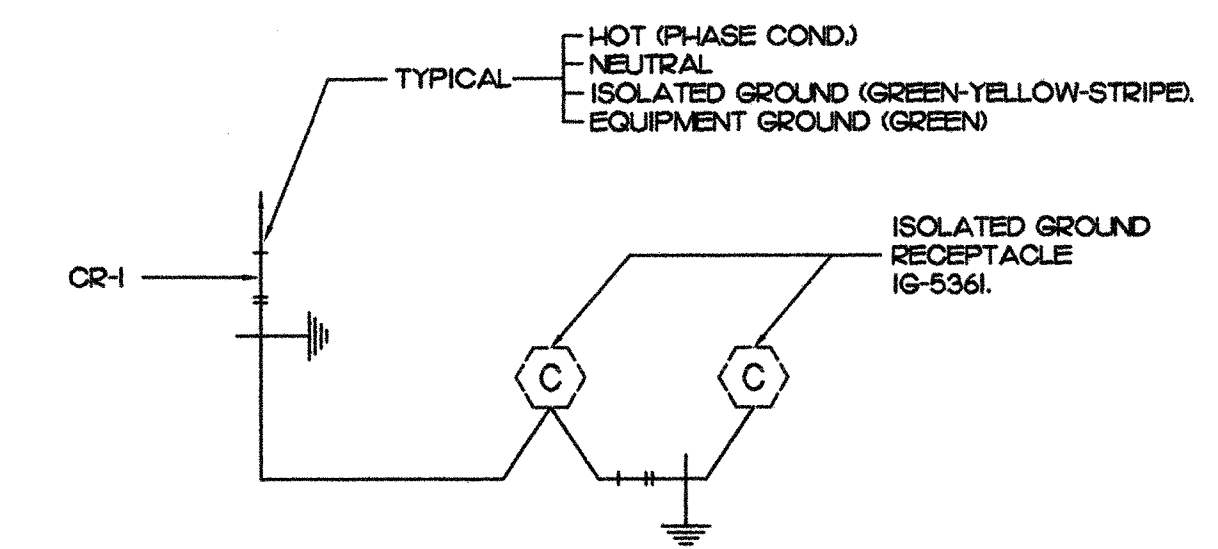


ELEVATION

WIRING FOR P.O.S. CASH REGISTER



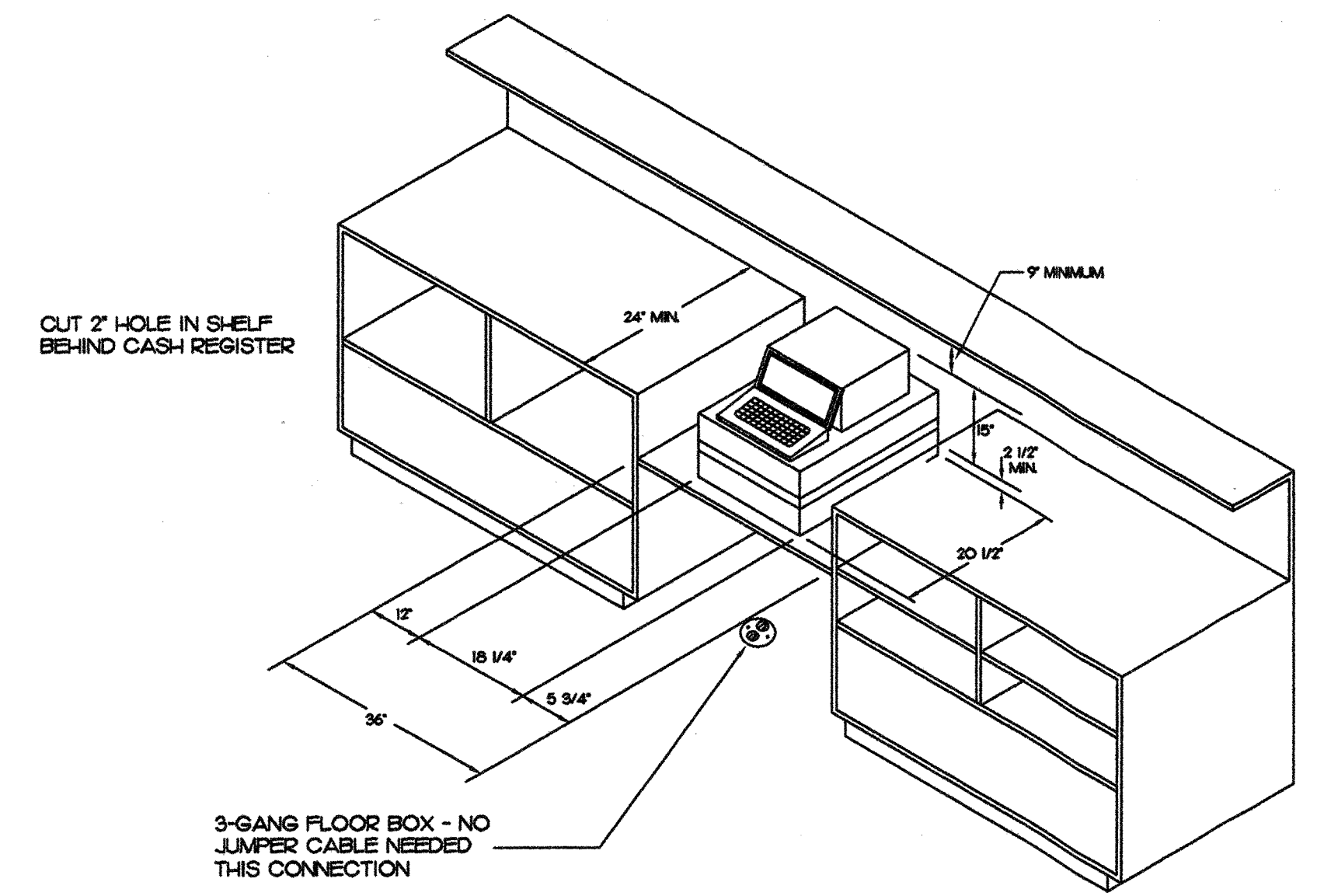
TYPICAL NCR RISER  
DIAGRAMMATIC



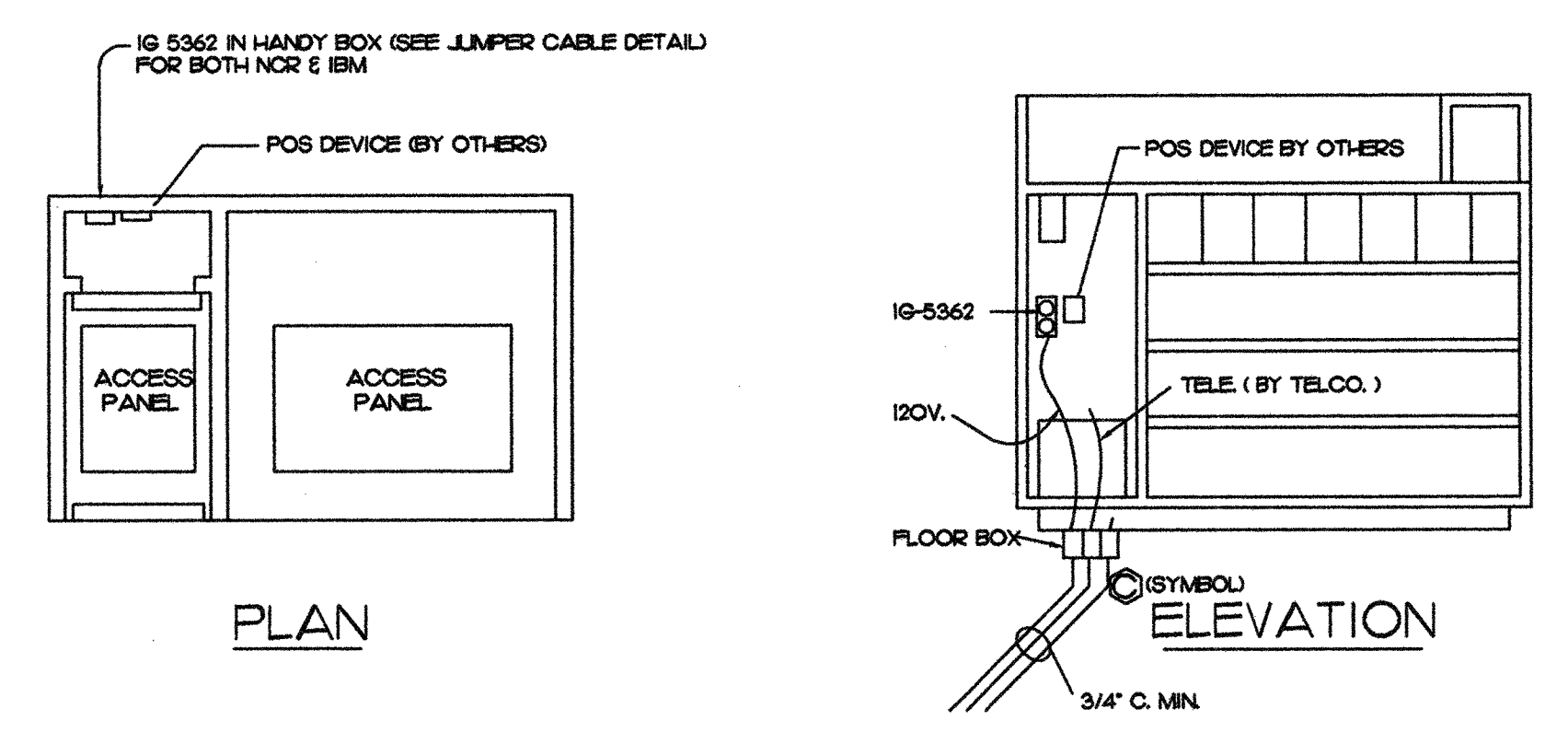
NCR POWER WIRING  
DIAGRAMMATIC

NOTE: POWER NOT SHOWN. SEE DETAIL BELOW.

NOTE: DO NOT COMBINE CIRCUITS



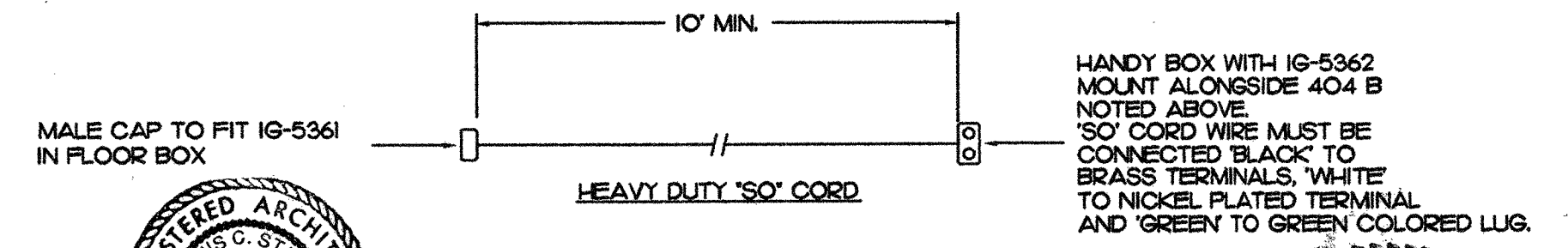
PAYMENT COUNTER - CASH REGISTER



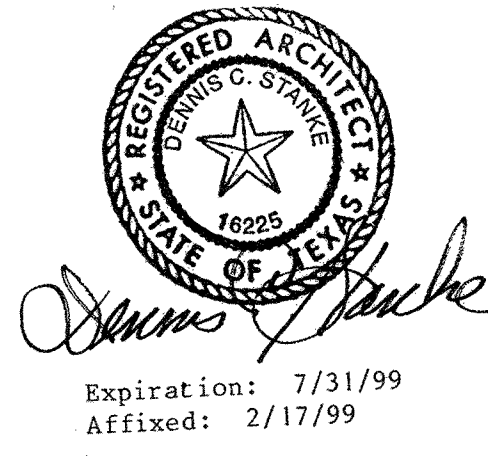
PLAN

ELEVATION

WIRING FOR P.O.S. CASH REGISTER FIXTURE



JUMPER CABLES



Expiration: 7/31/99  
Affixed: 2/17/99

