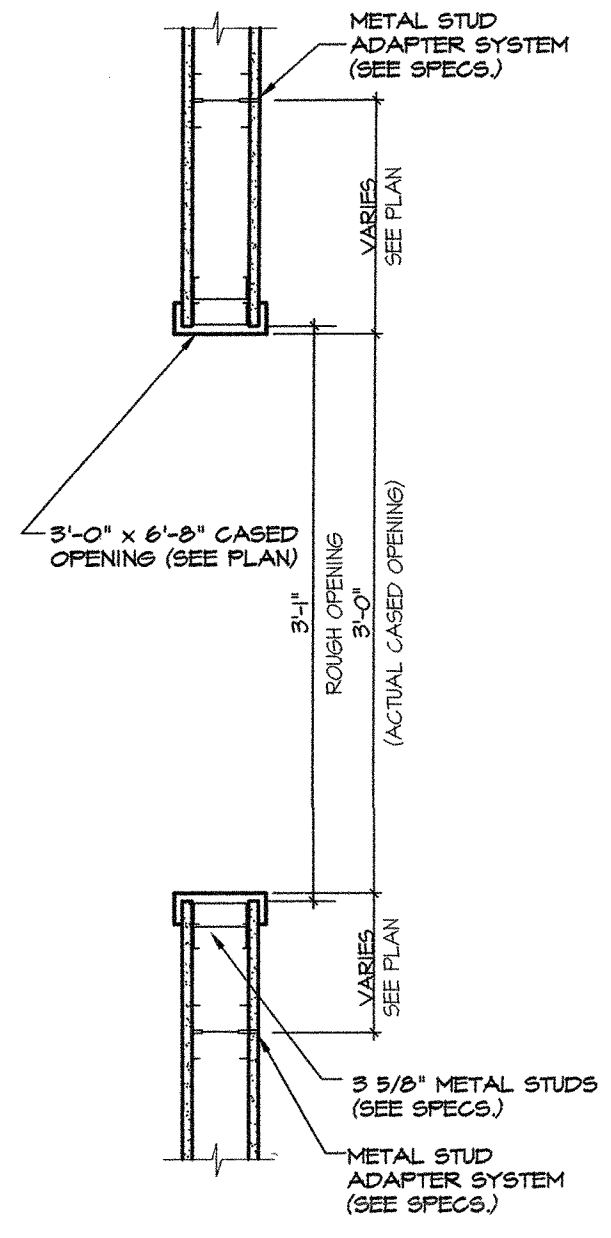
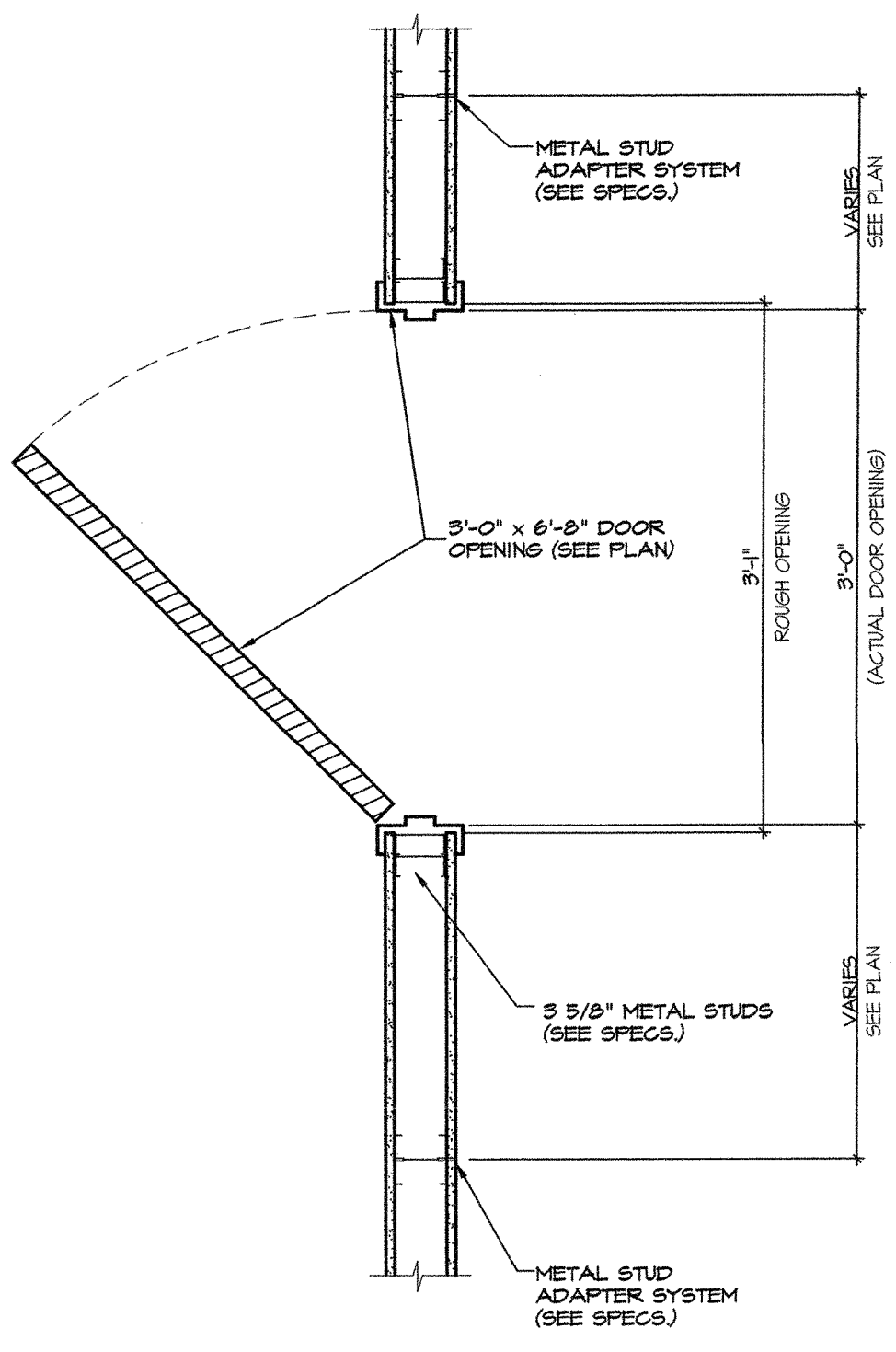
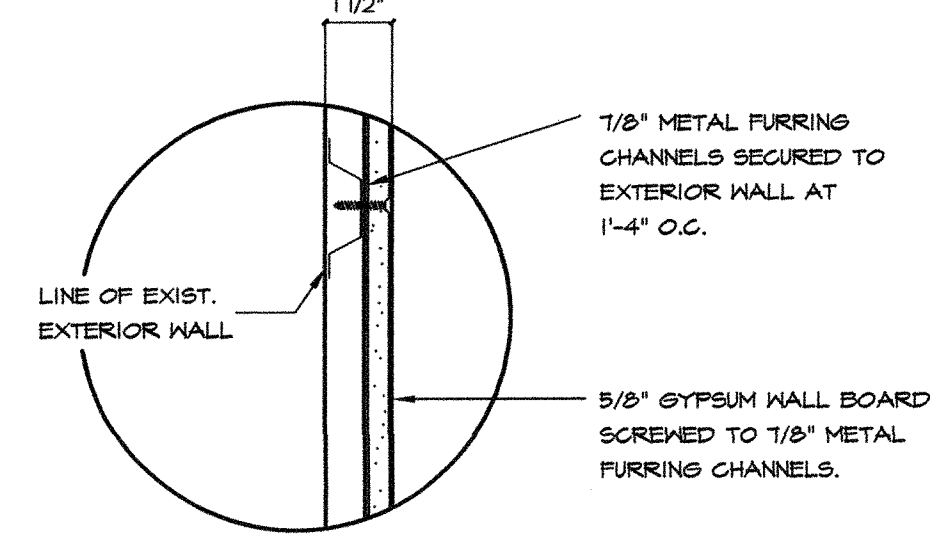
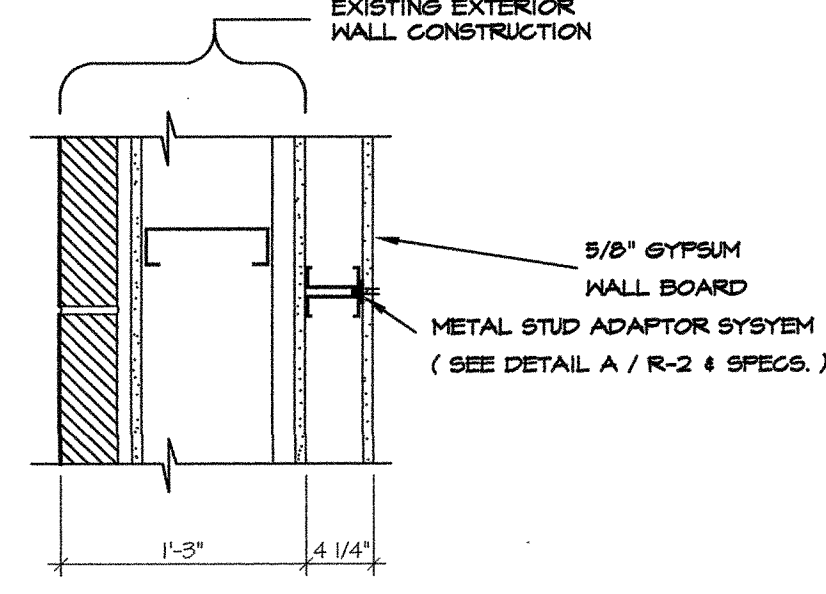


NOTES:
 1. STEEL STUDS TO BE CONTINUOUS TO DECK WHERE DOUBLE DECK SHELVING OCCURS.
 2. DO NOT SPLICE METAL SLOTTED STUDS.

USE CLEMCO NO. 5005 STUD ADAPTER FURNISHED BY BELK, INSTALLED BY G.C.

ATTACH 5/8\"/>

REINFORCING CHANNEL TO BE USED ONLY IN LOW UNSUPPORTED WALLS OR WHERE GYPSUM WALL BOARD OCCURS ONLY ON ONE SIDE OF WALL OR STUD.



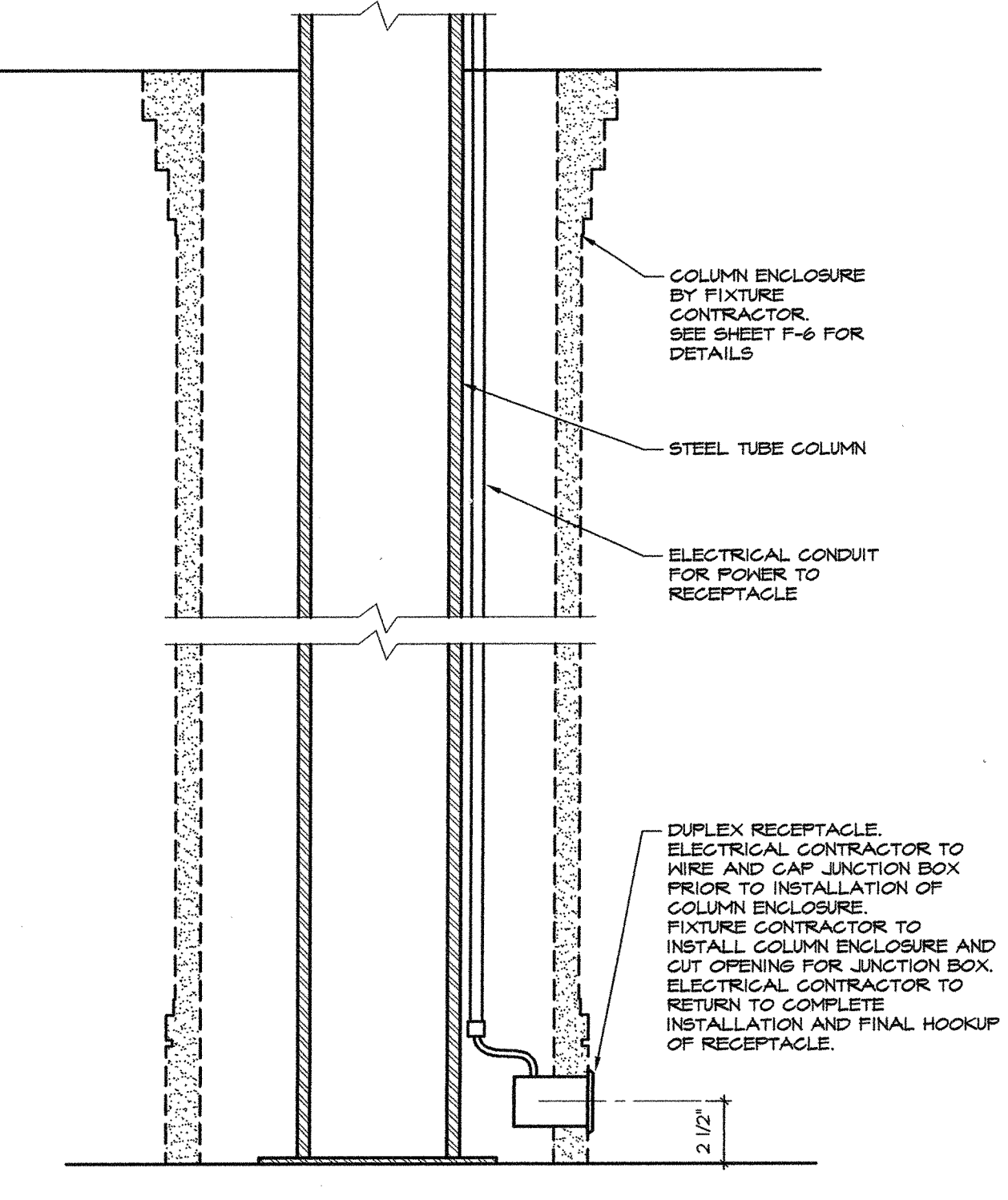
A TYP. STUD ADAPTER INSTALLATION DETAIL
 SCALE: 1" = 1'-0"

B TYP. STUD ADAPTOR SYSTEM @ EXT. WALL
 SCALE: 1" = 1'-0"

C TYP. DETAIL @ EXTERIOR WALL FURRING
 SCALE: N.T.S.

E TYPICAL DOOR OPENING
 SCALE: 1" = 1'-0"

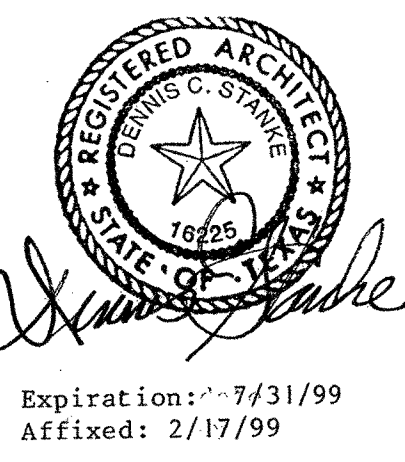
F TYPICAL CASED OPENING
 SCALE: 1" = 1'-0"



M SECTION @ COLUMN RECEPCTACLE
 SCALE: N.T.S.

N SECTION @ BUILDING WALL
 SCALE: N.T.S.

GROUP	DATE	BY	REVISION
1	1/2/99	J. WILHELMSON	ISSUED FOR PERMIT
2	2/3/99	J. WILHELMSON	ISSUED FOR PERMIT
3	2/3/99	J. WILHELMSON	ISSUED FOR PERMIT
4	2/3/99	J. WILHELMSON	ISSUED FOR PERMIT



Expiration: 7/31/99
 Affixed: 2/17/99

H:\2269179\99\PLAN\124-1R-2 Non Feb 08 15:46:24 1999 J. WILHELMSON ARCH. UPT. 03/23/01 R-340