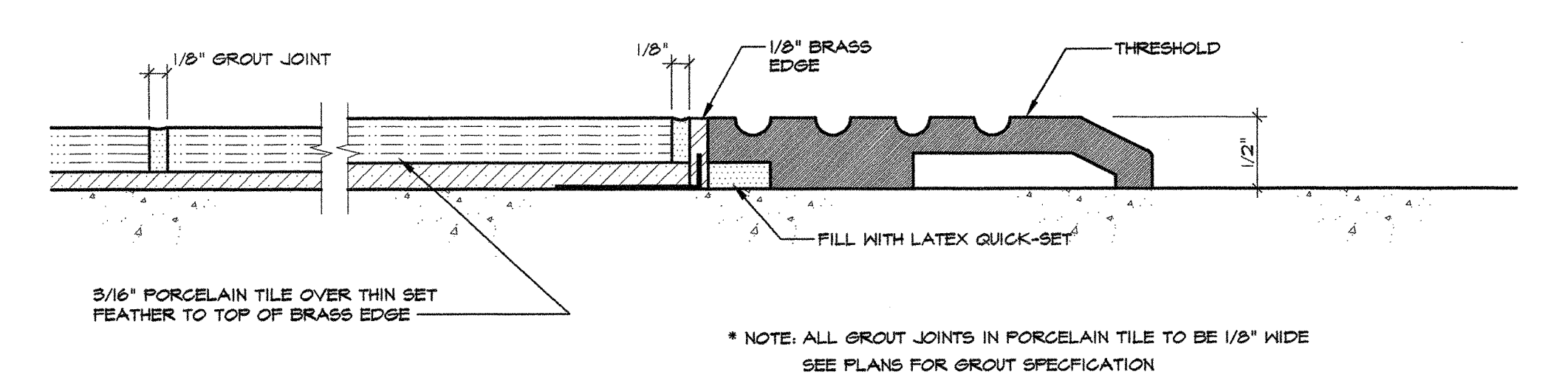
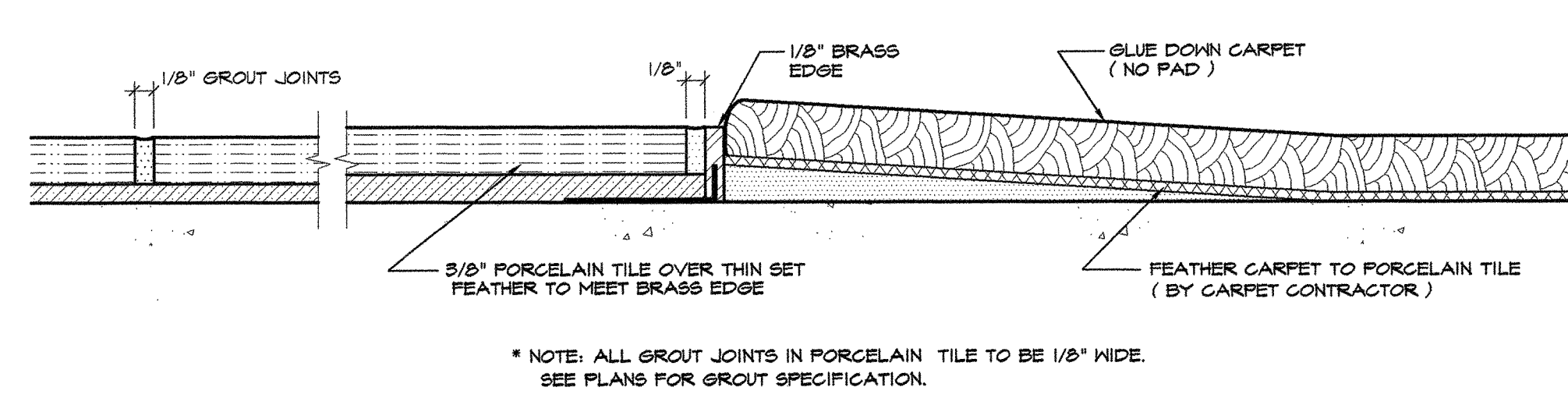
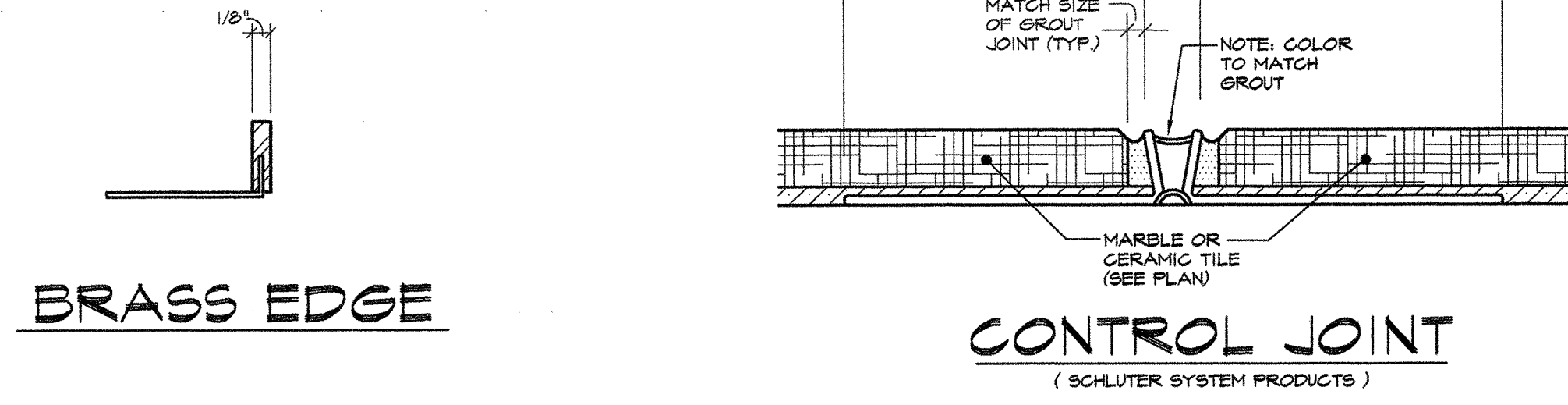


C 1/8" VCT TO CARPET

D CONCRETE TO CARPET

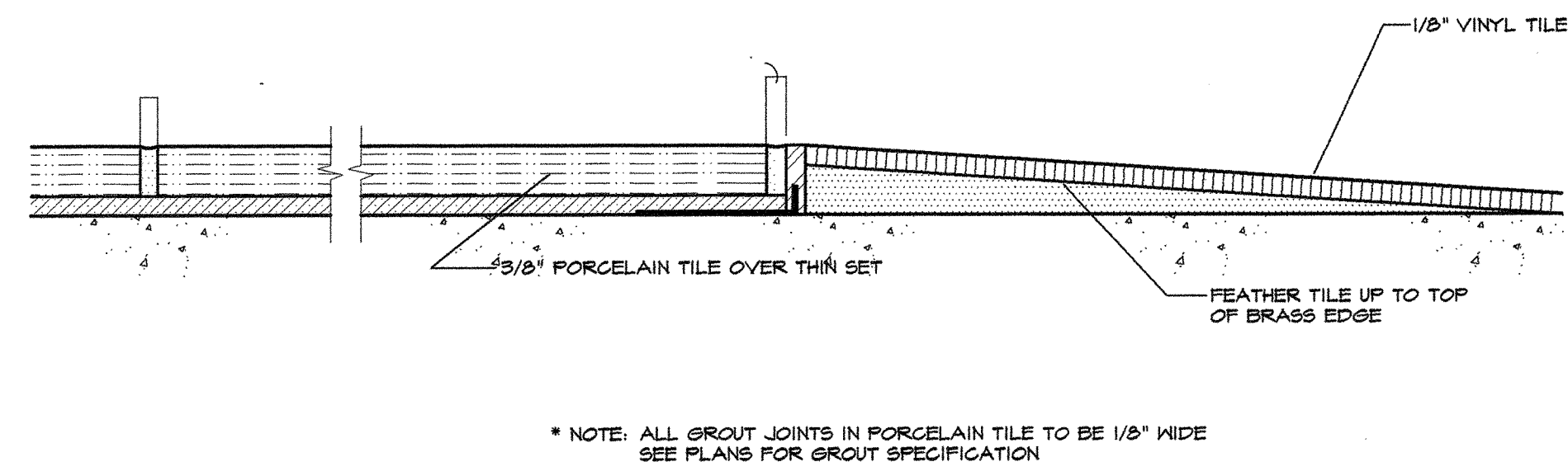
F 1/8" VCT TO CONCRETE



P BRASS EDGE & CONTROL JOINT

V PORCELAIN TILE TO CARPET

X PORCELAIN TILE @ THRESHOLD



Y PORCELAIN TILE TO VCT

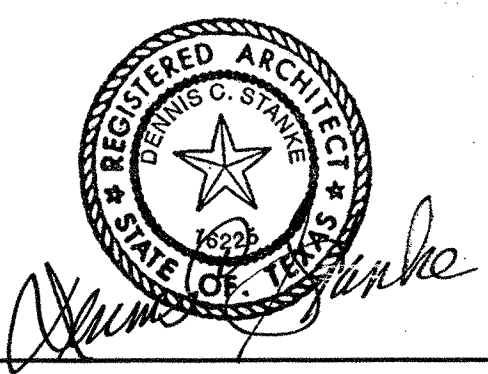
RPDC
 REGISTERED PROFESSIONAL DESIGN GROUP
 2801 WEST TYOLA ROAD • CHARLOTTE, NC • 28217-4500 • (704) 337-0844 • FAX (704) 337-8311

CONSULTANTS

FROM: BELK CROSSROADS MALL
 GREENVILLE, TX
 NEW INSTALLATION

TYPICAL FLOORCOVERING
 DETAILS

GROUP	NO.	DATE	BY	REVISION
1	1			
2	1			
3	1			
4	1			



Expiration: 7/31/99
Affixed: 2/17/99

INTERIOR PLANNING
 SHEET NUMBER
F-8
 OF SHEETS
 ARCHITECTURAL
 SHEET NUMBER
A-17
 OF SHEETS

H:\249m\99\PLANS\24-17-8 Mon Feb 08 12:25:27 1999 J. MATHERSPON, ARCH. DEPT. 015/2201 X-3410