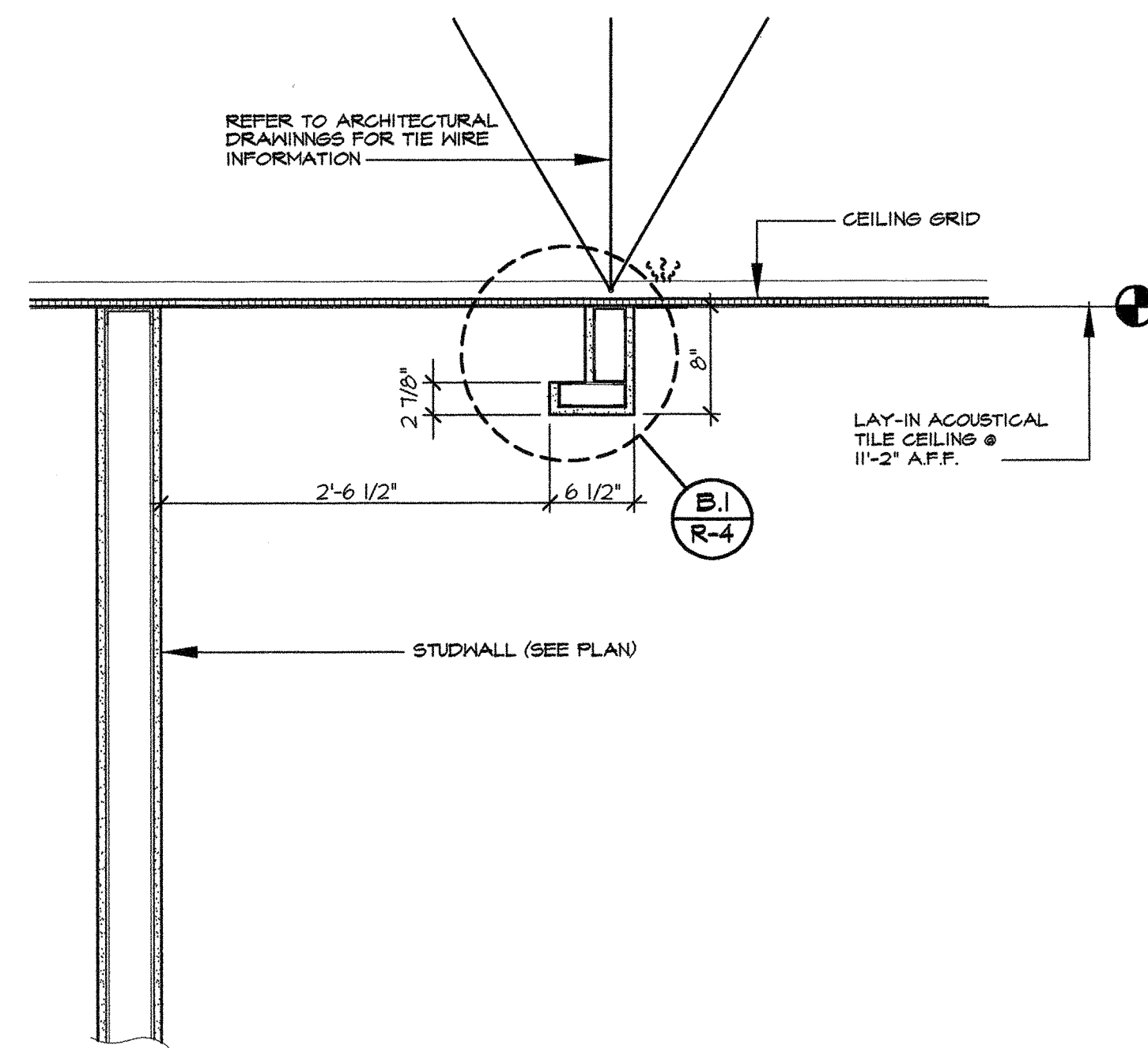
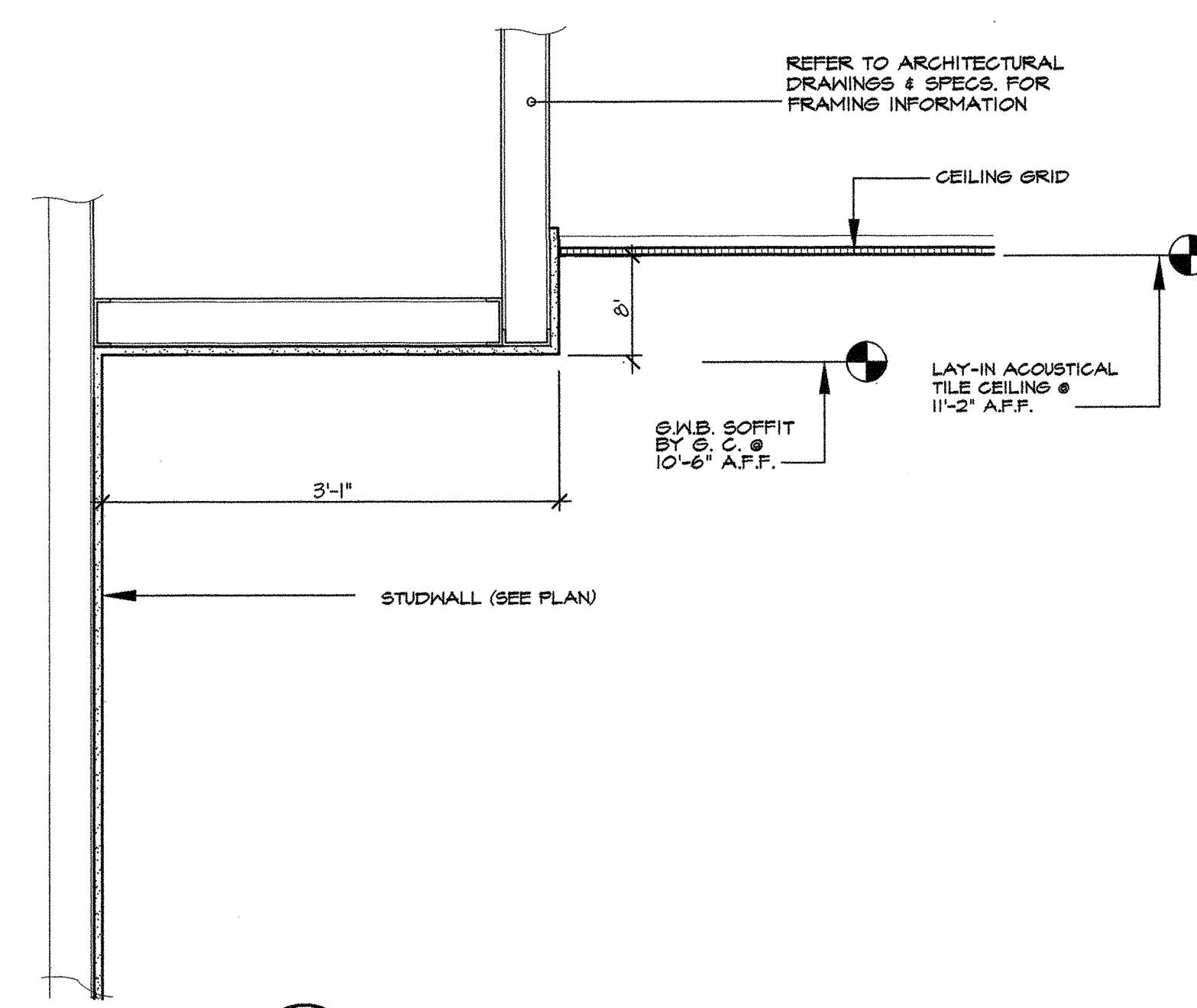


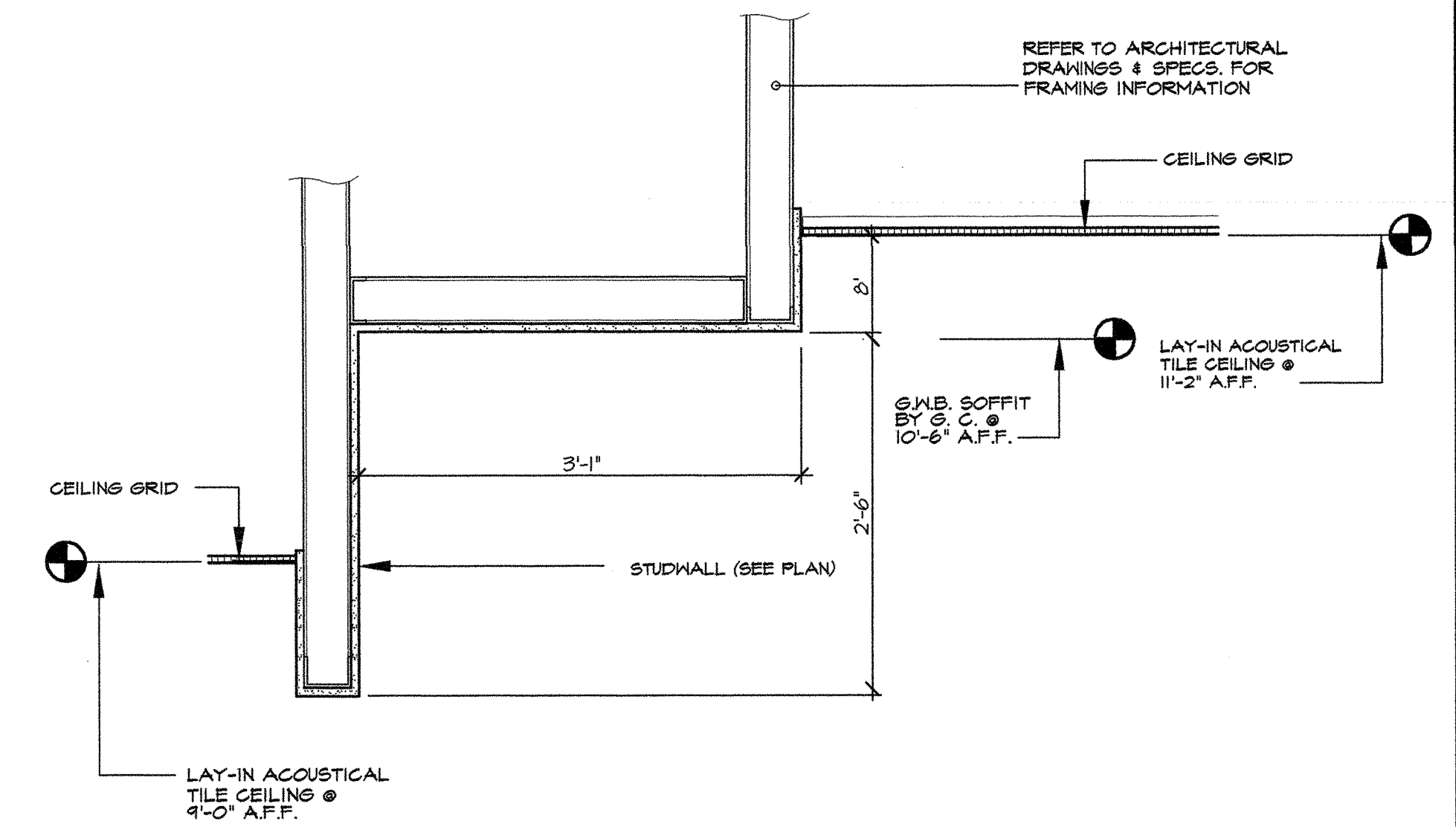
**A SECTION**  
R-4 1" = 1'-0"



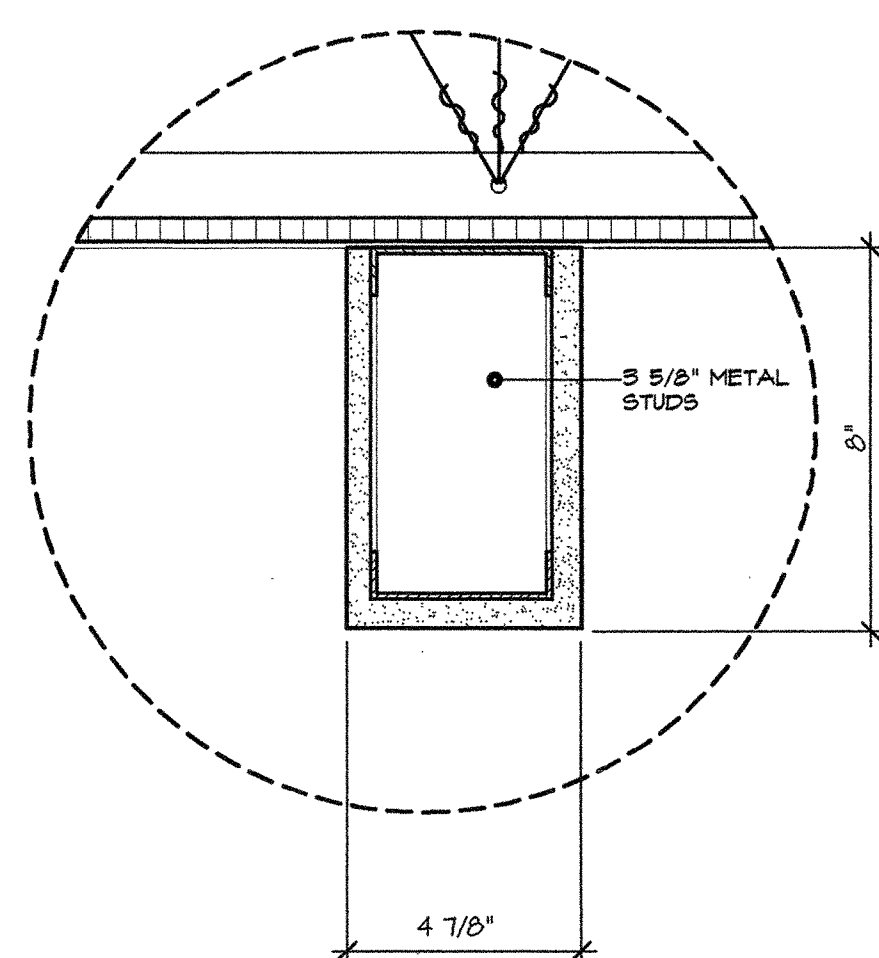
**B SECTION**  
R-4 1" = 1'-0"



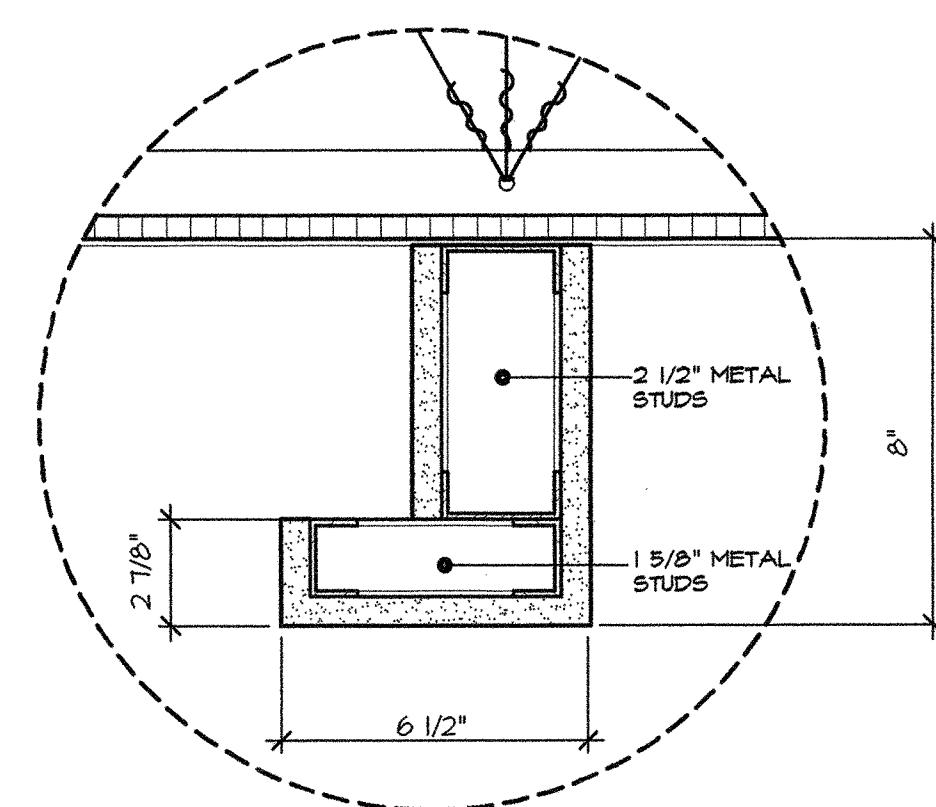
**C SECTION**  
R-4 1" = 1'-0"



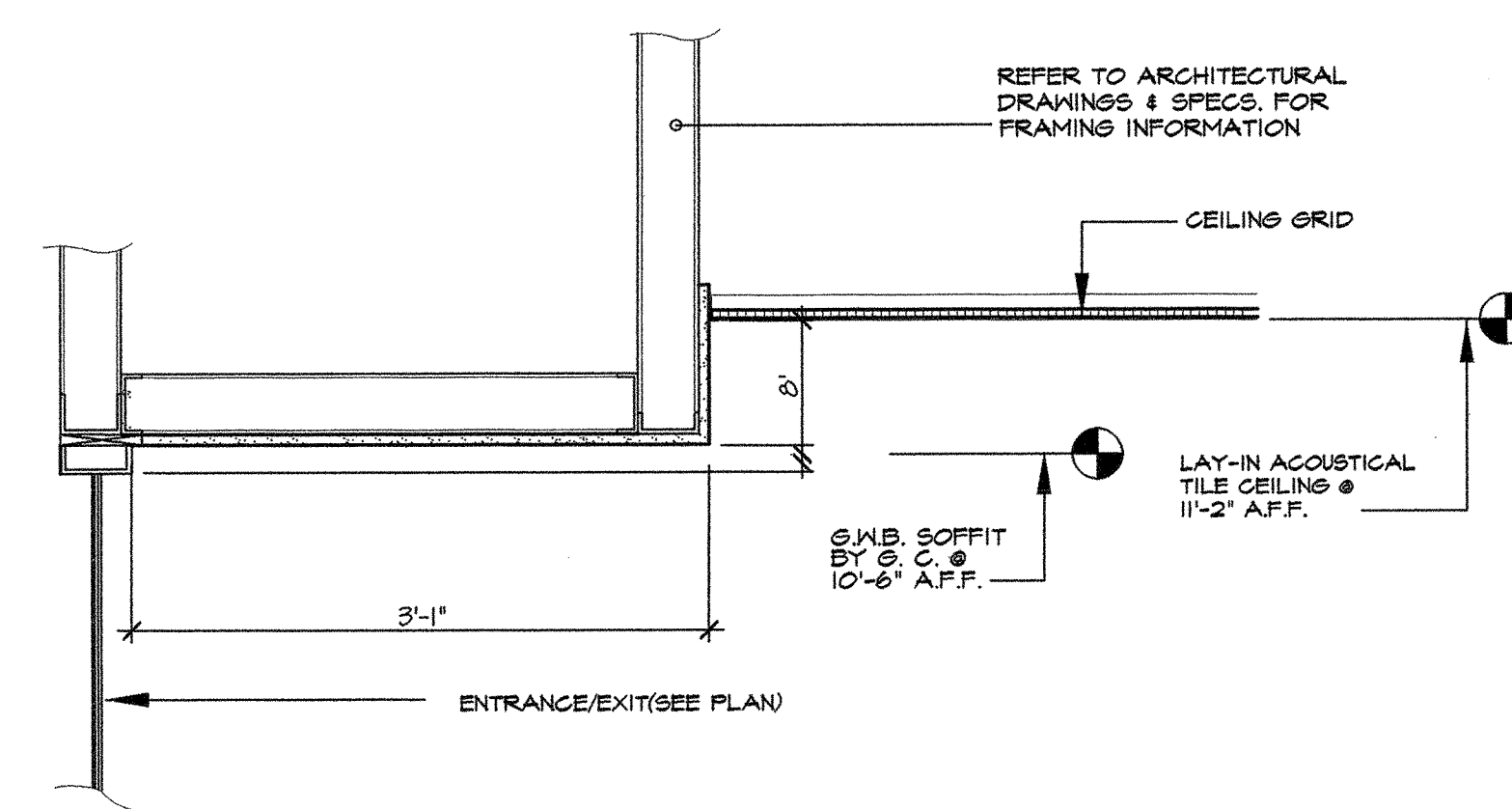
**D SECTION**  
R-4 1" = 1'-0"



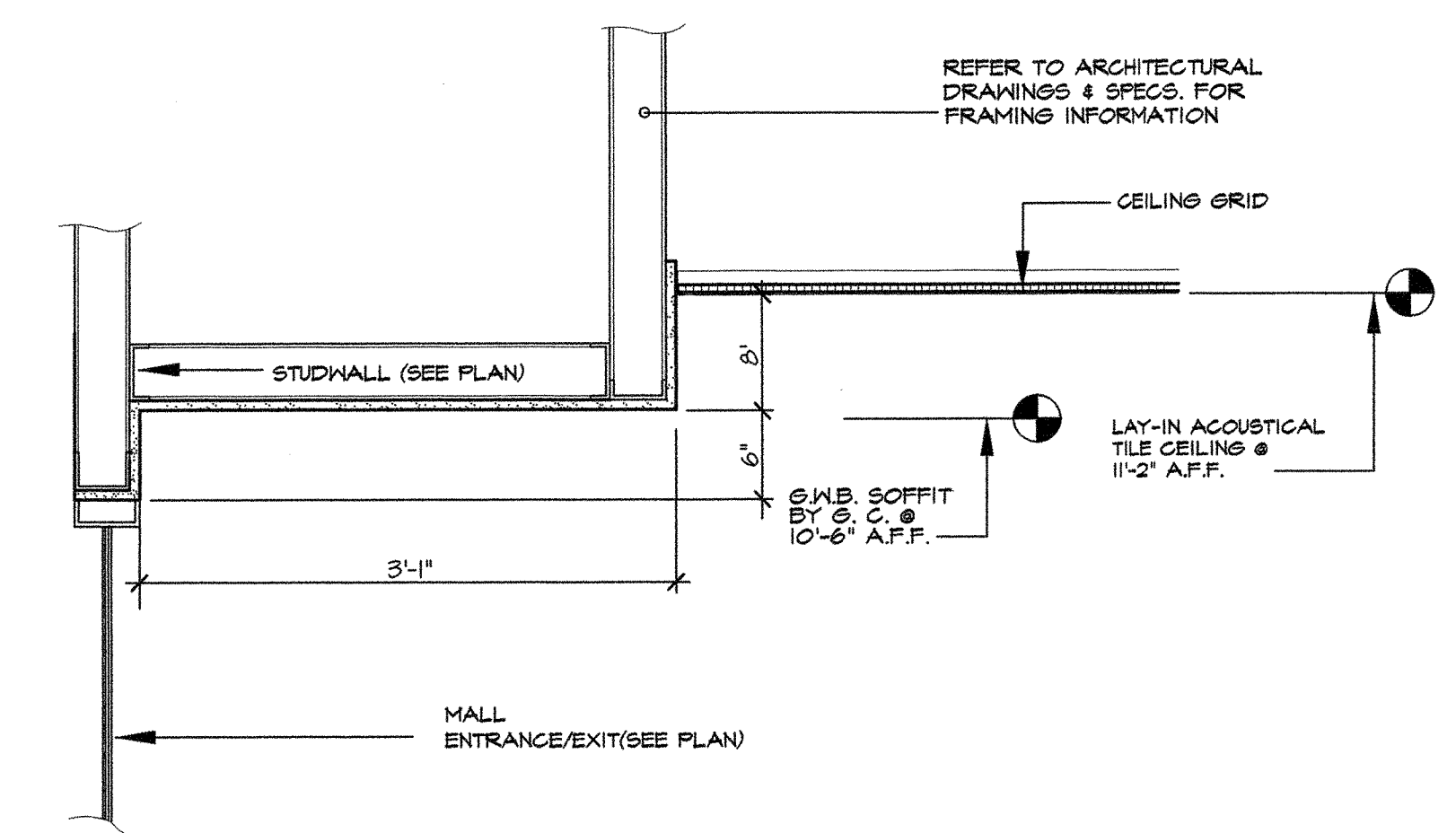
**A.1 DETAIL**  
R-4 3" = 1'-0"



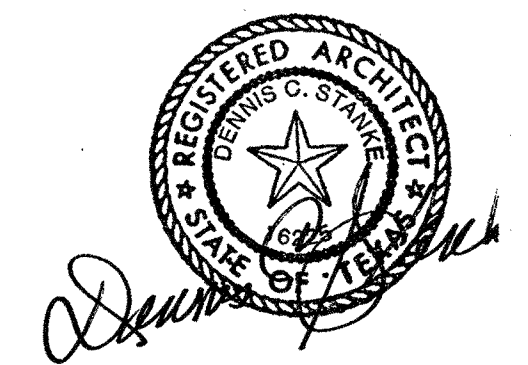
**B.1 DETAIL**  
R-4 3" = 1'-0"



**E DETAIL**  
R-4 1" = 1'-0"



**F DETAIL**  
R-4 1" = 1'-0"



Expiration: 7/31/99  
Affixed: 2/17/99

NO.	DATE	BY	REVISION
1			
2			
3			
4			

INTERIOR PLANNING SHEET NUMBER  
**R-4**  
OF SHEETS  
ARCHITECTURAL SHEET NUMBER  
**A-15**  
OF SHEETS

H:\126gm\1095\PLANS\124-11-4 MON 100 US 17.05.21 1999 J. M. HENSHAW, ARCH. DEPT. 015/AB01 X-3410