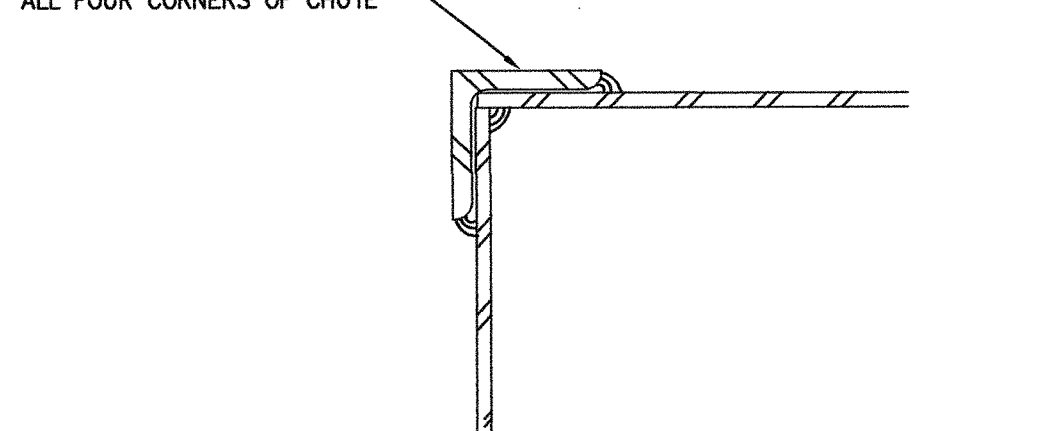
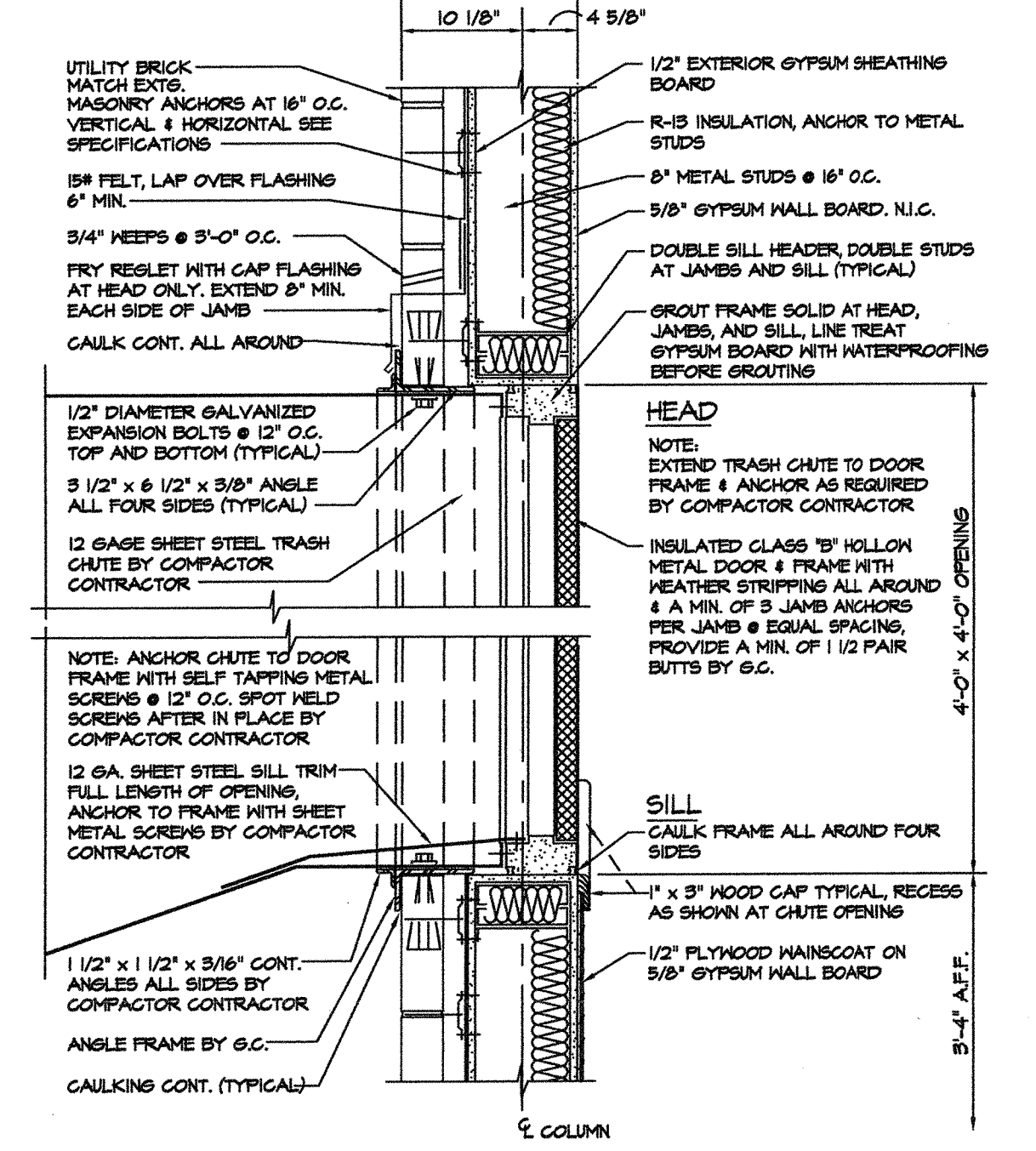


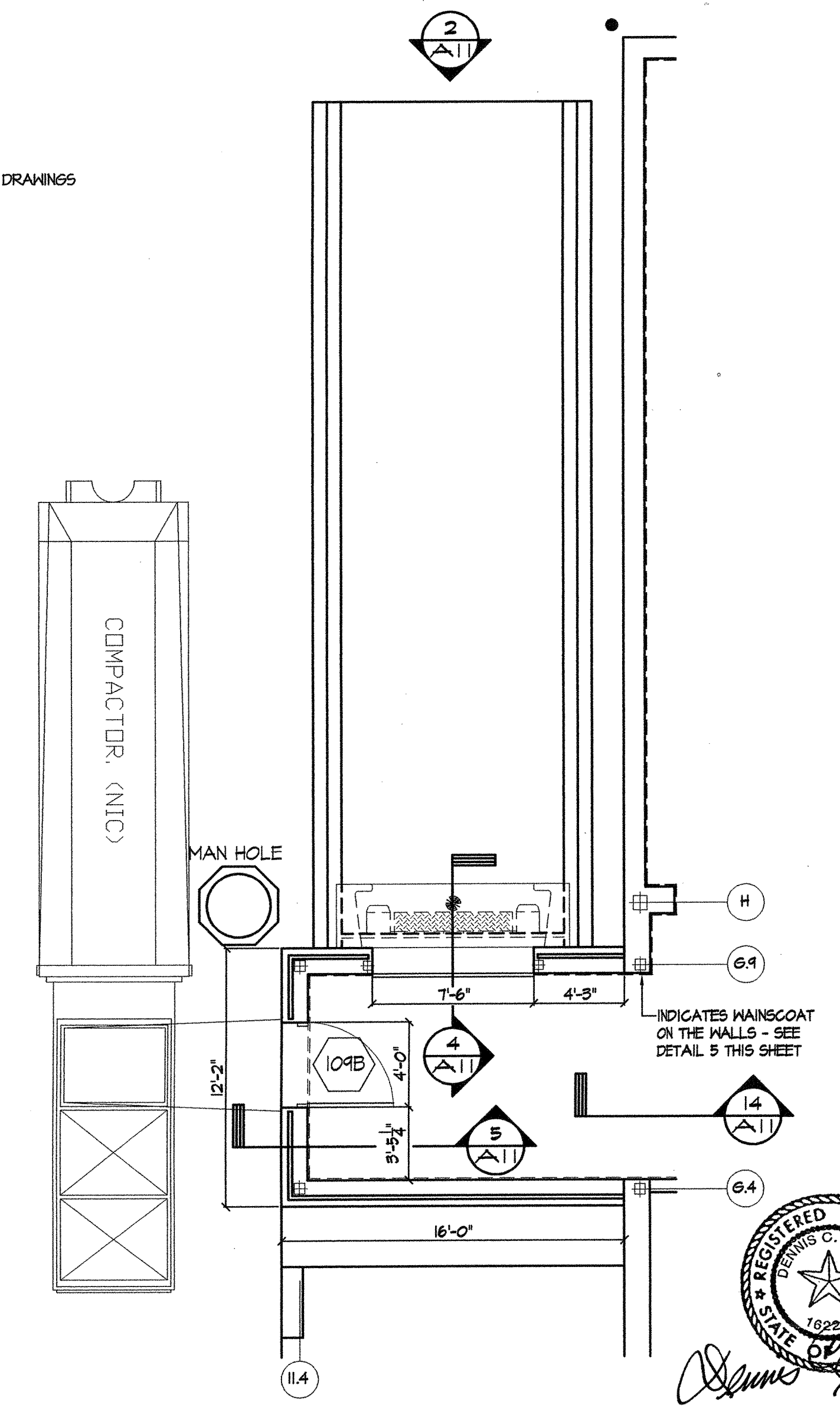
SECTION AT DOCK AT COMPACTOR SIMILAR



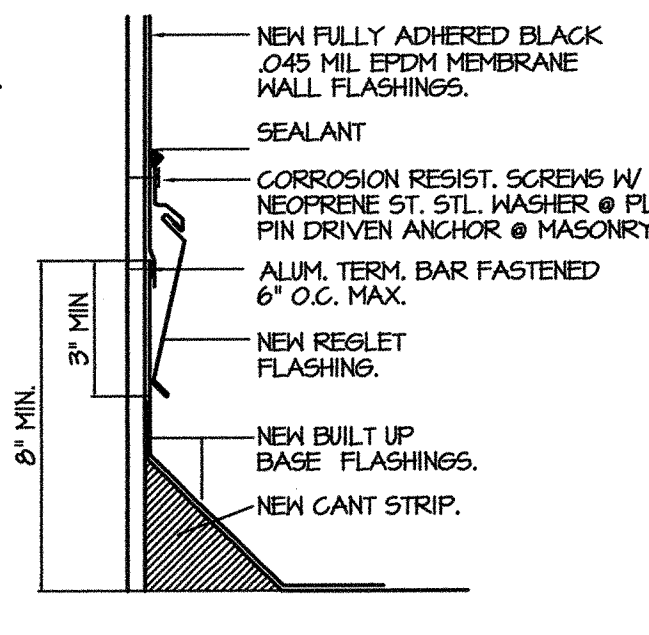
TRASH CHUTE ANGLE REINFORCEMENT



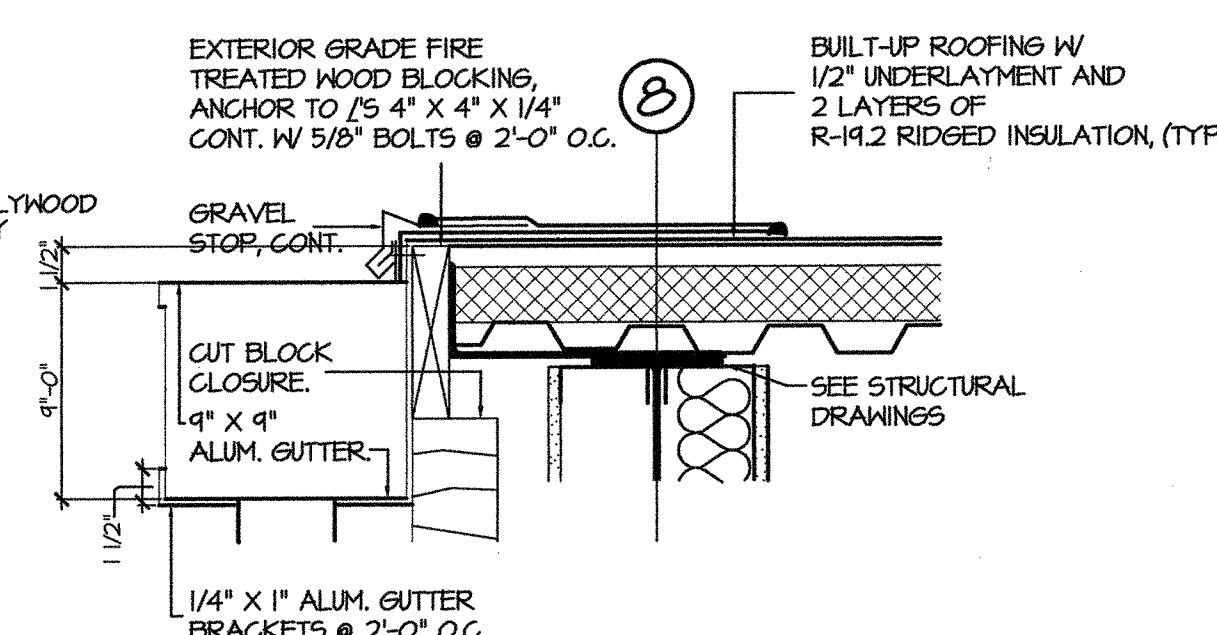
DETAIL TRASH CHUTE CONNECTION



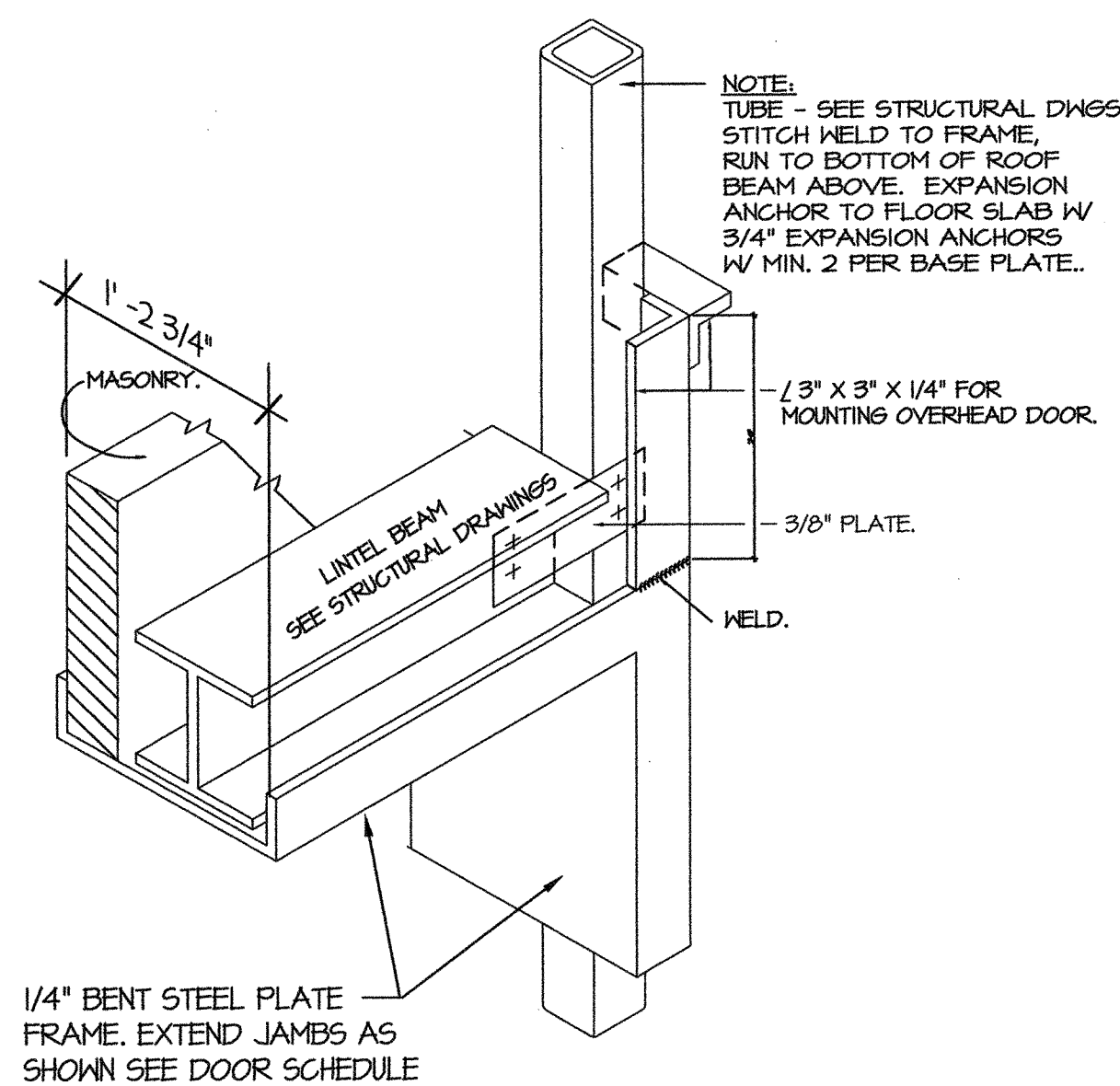
PIT EDGE FRAME DETAILS



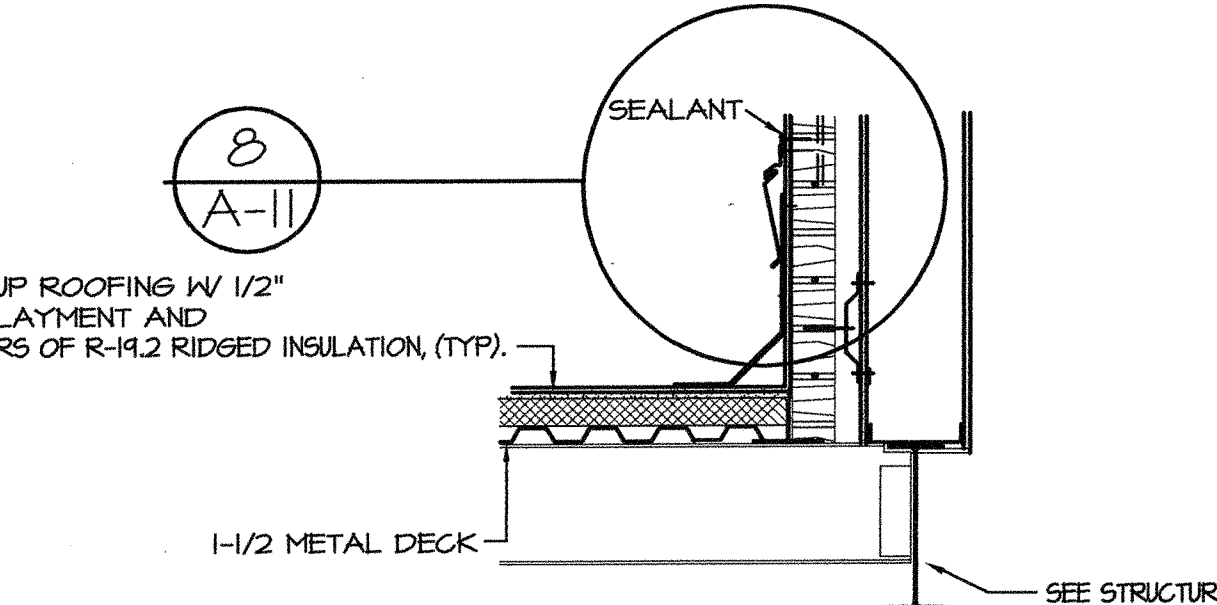
FLASHING DETAIL



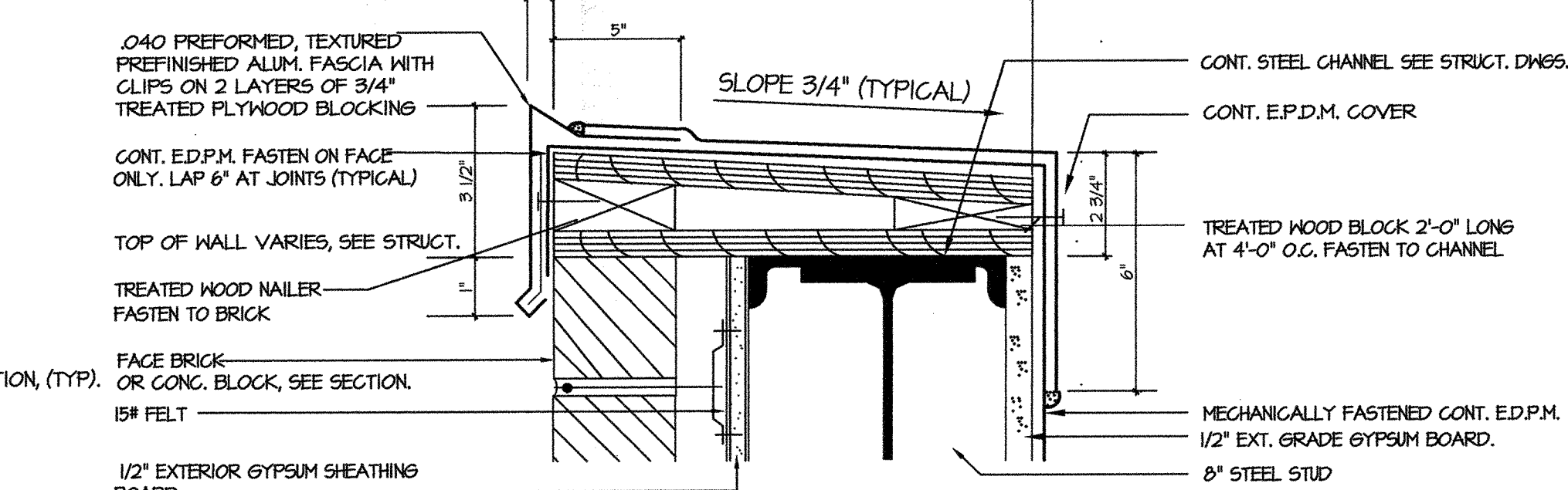
GUTTER DETAIL



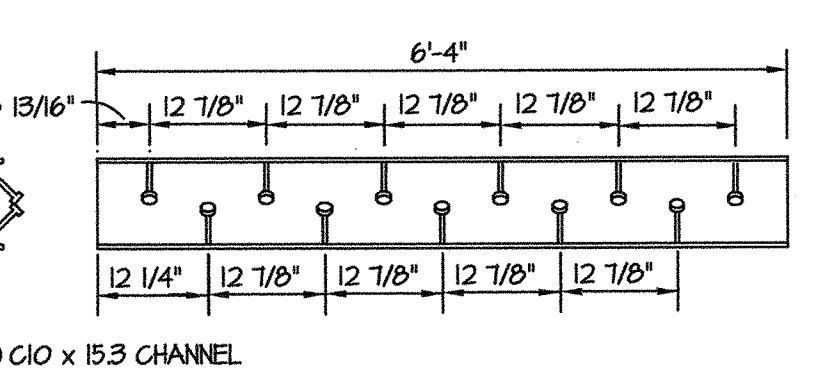
ROLL-UP DOOR FRAME DETAIL



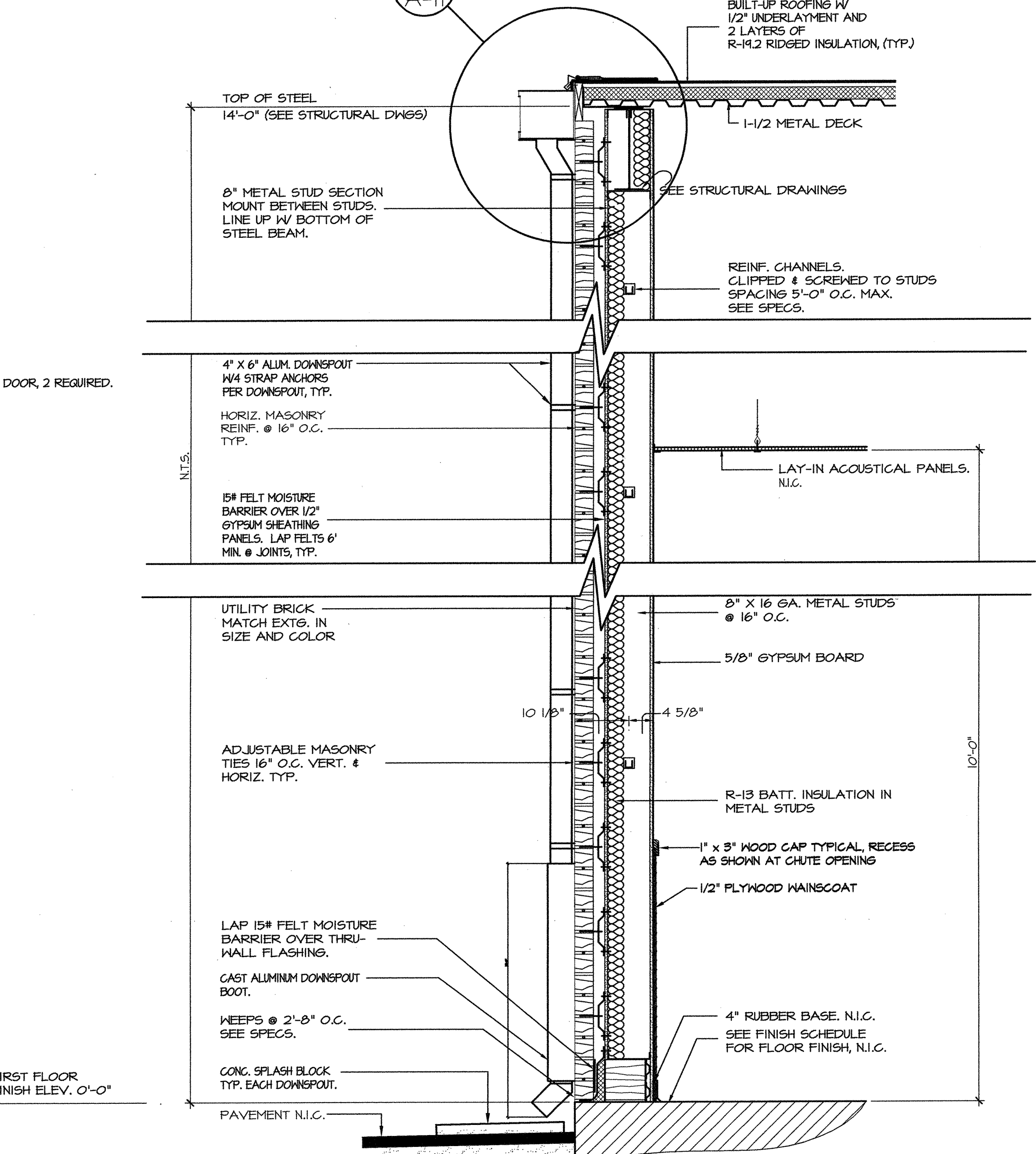
WALL SECTION @ EXISTING WALL



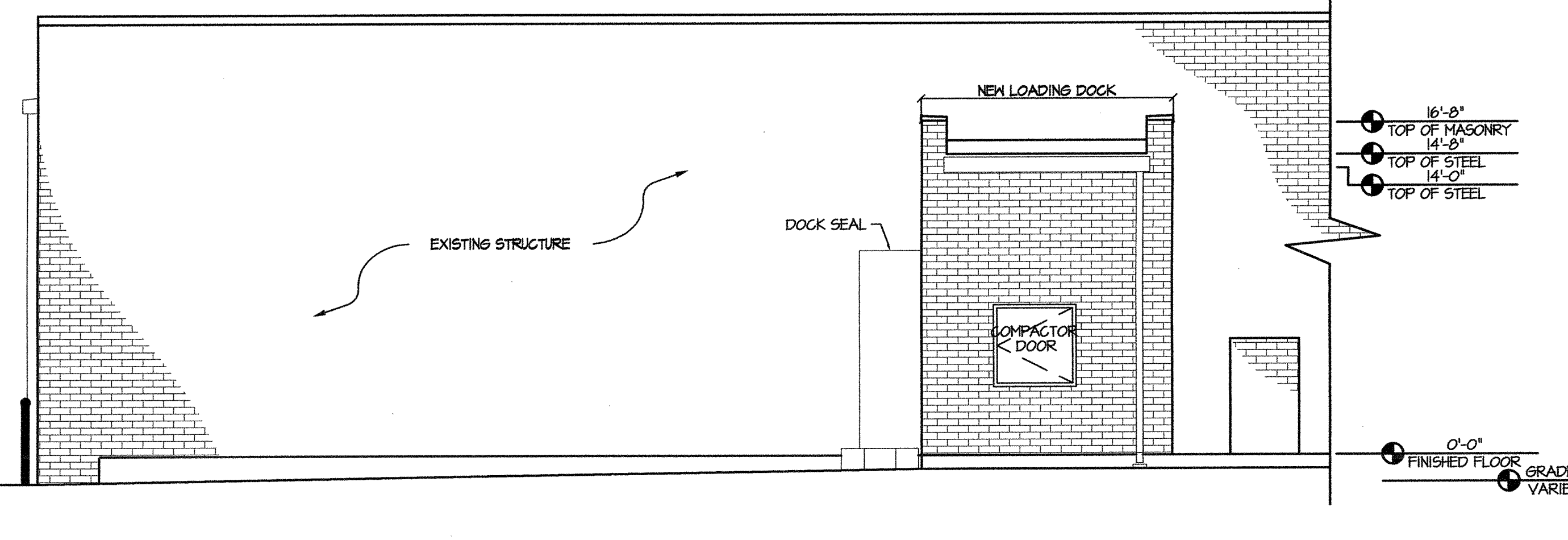
PARAPET FASCIA DETAIL



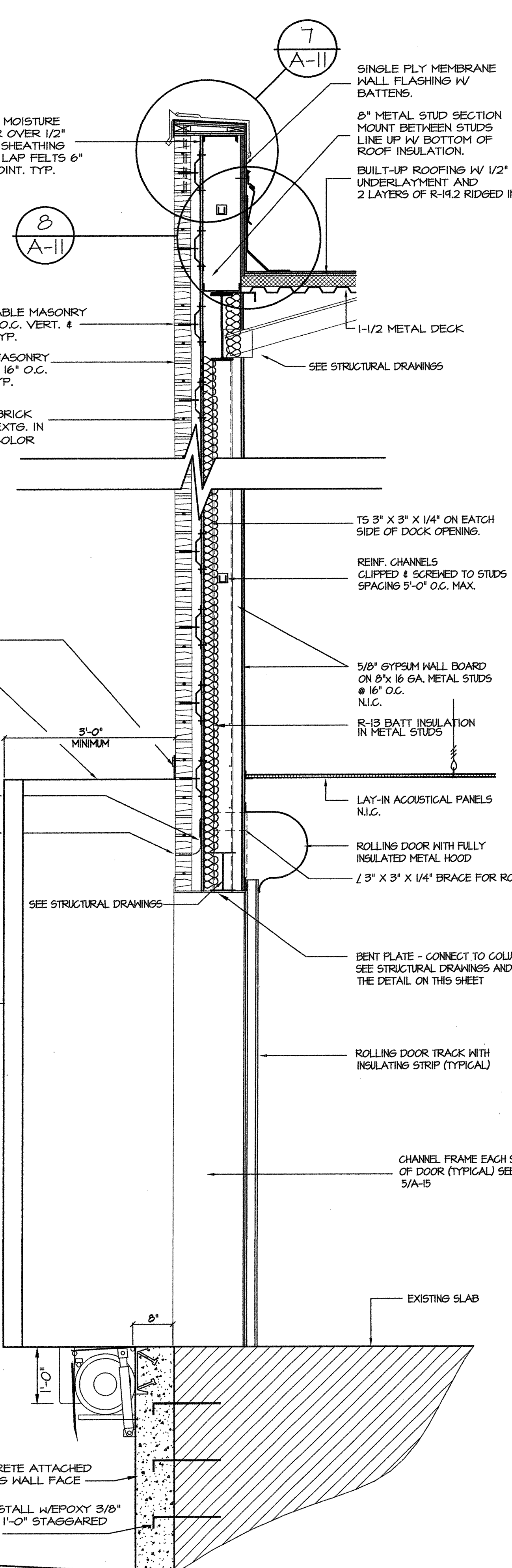
EDGE FRAME DETAILS



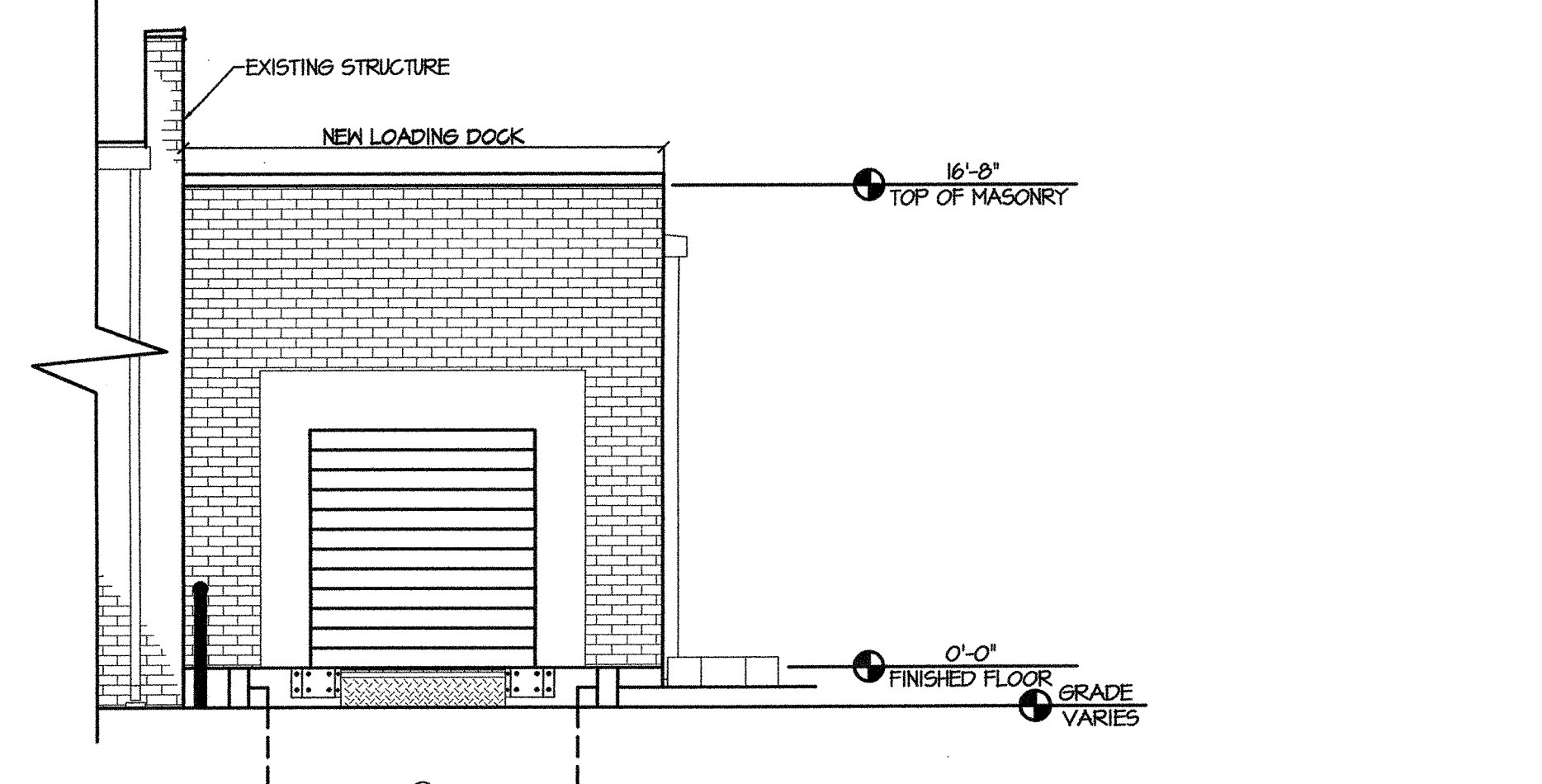
WALL SECTION @ DOCK WALL



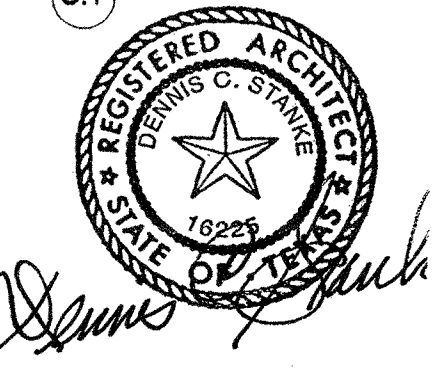
PIT EDGE FRAME DETAILS



SECTION @ DOCK WALL



PIT EDGE FRAME DETAILS



Expiration: 7/31/99
 Affixed: 2/17/99

H:\1249\1249\1249\1249-1100ck.dwg 10/12/2011 10:12:22 AM J. W. HERSHMAN, ARCH. LDP, 0120/AS01, A-3410