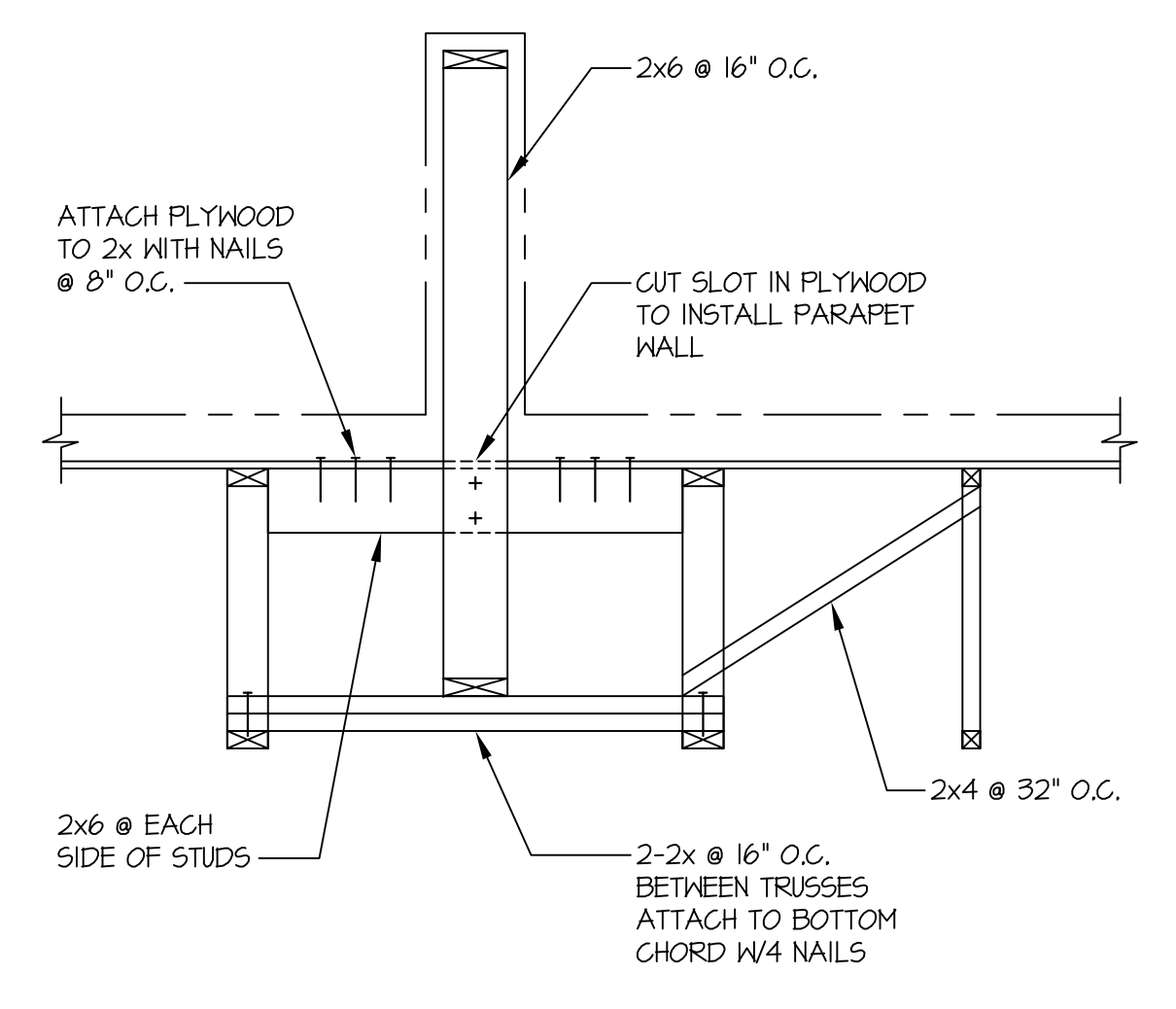


TABLE 2304.1 FASTENING SCHEDULE

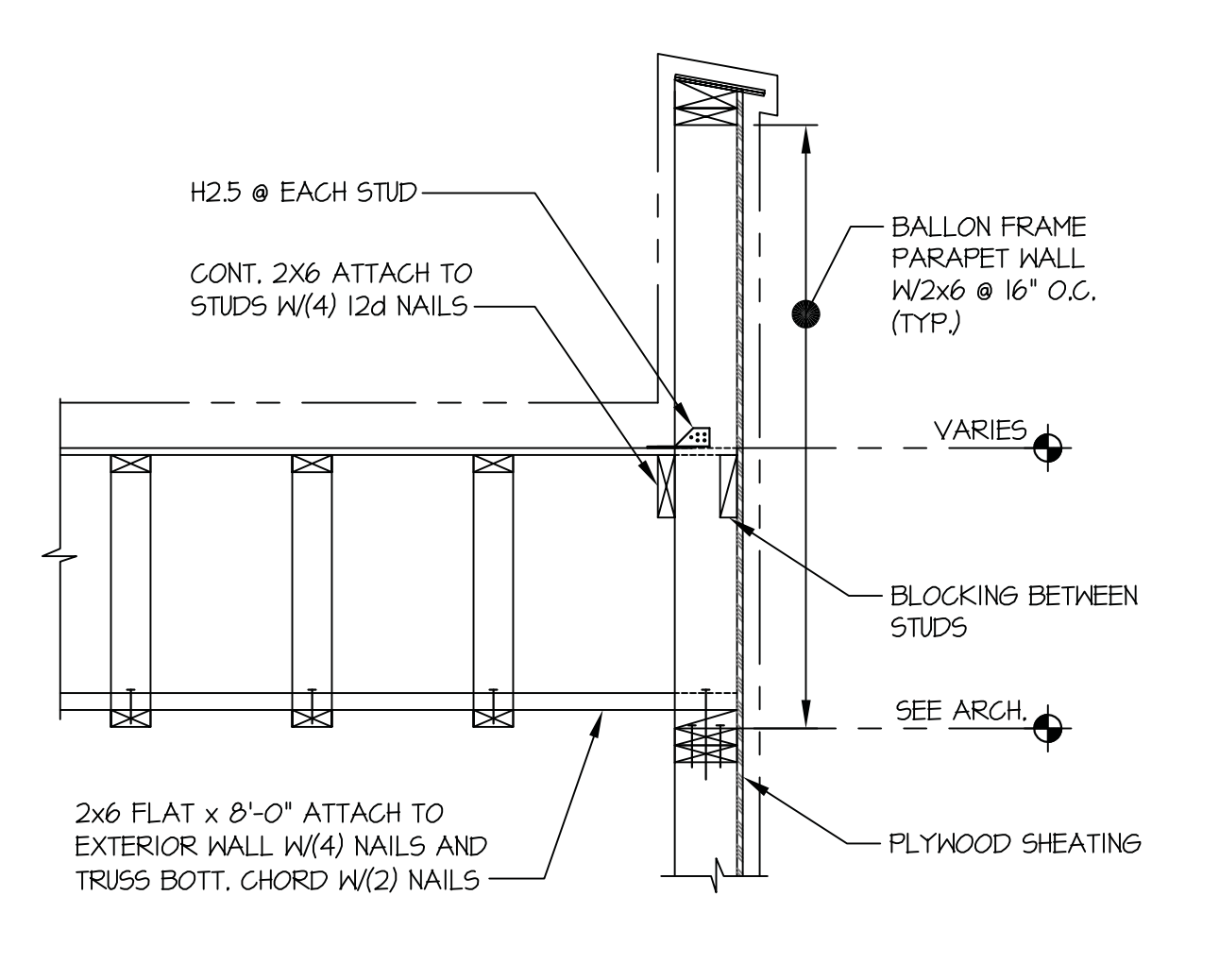
| CONNECTION | FASTENER ^{a,m} | LOCATION |
|--|---|---|
| 1. Joint to sill or girder | 3 - 8d common (2) x 0.1317) 3 - 3" x 0.131" nails 3 - 3" 14 gage staples | lozenge |
| 2. Bridging to joint | 2 - 8d common (2) x 0.1317) 2 - 3" x 0.131" nails 2 - 3" 14 gage staples | lozenge each end |
| 3. 1" x 6" sheetrock or less to each joint | 2 - 8d common (2) x 0.1317) | face nail |
| 4. Hider than 1" x 6" sheetrock to each joint | 3 - 8d common (2) x 0.1317) | face nail |
| 5. 2" sheetrock to joint or girder | 2 - 8d common (2) x 0.1317) | blind and face nail |
| 6. Sole plate to joint or blocking | 1 - 8d (2) x 0.1317) at 8" o.c. 3" x 0.131" nail at 3" o.c. 3" 14 gage staples at 12" o.c. | typical face nail |
| Sole plate to joint or blocking at braced wall panel | 3" - 8d (2) x 0.1317) at 16" 4 - 3" x 0.131" nails at 16" 4 - 3" 14 gage staples at 16" | braced wall panel |
| 7. Top plate to stud | 2 - 8d common (2) x 0.1317) 2 - 3" x 0.131" nail | end nail |
| 8. Stud to sole plate | 4 - 8d (2) x 0.1317) 4 - 3" x 0.131" nails 3 - 3" 14 gage staples | lozenge |
| | 2 - 8d common (2) x 0.1317) 2 - 3" x 0.131" nails 3 - 3" 14 gage staples | end nail |
| 9. Double studs | 1 - 8d (2) x 0.1317) at 24" o.c. 3" x 0.131" nail at 24" o.c. 3" 14 gage staples at 24" o.c. | face nail |
| 10. Double top plates | 1 - 8d (2) x 0.1317) at 8" o.c. 3" x 0.131" nail at 12" o.c. 3" 14 gage staples at 12" o.c. | typical face nail |
| Double top plates | 2 - 8d common (2) x 0.1317) 2 - 3" x 0.131" nails 3 - 3" 14 gage staples | top splice |
| 11. Blocking between joists or rafters to top plate | 3 - 8d common (2) x 0.1317) 3 - 3" x 0.131" nails 3 - 3" 14 gage staples | lozenge |
| 12. Rim joist to top plate | 3 - 8d (2) x 0.1317) at 6" o.c. 3" x 0.131" nail at 6" o.c. 3" 14 gage staples | lozenge |
| 13. Top plates, laps and intersections | 2 - 8d common (2) x 0.1317) 2 - 3" x 0.131" nails 3 - 3" 14 gage staples | face nail |
| 14. Continous header, lap piece | 1 - 8d common (2) x 0.1317) | 1/2" o.c. along edge |
| 15. Ceiling joist to plate | 3 - 8d common (2) x 0.1317) 3 - 3" x 0.131" nails 3 - 3" 14 gage staples | face nail |
| 16. Continous header to stud | 4 - 8d common (2) x 0.1317) | lozenge |
| 17. Ceiling joist, lap over partitions (see Section 2308.0.1, Table 2308.0.1) | 3 - 8d common (2) x 0.1317) 3 - 3" x 0.131" nails 3 - 3" 14 gage staples | face nail |
| 18. Ceiling joist to parallel rafters (see Section 2308.0.1, Table 2308.0.1) | 3 - 8d common (2) x 0.1317) 3 - 3" x 0.131" nails 3 - 3" 14 gage staples | face nail |
| 19. Rafter to plate (see Section 2308.0.1, Table 2308.0.1) | 3 - 8d common (2) x 0.1317) 3 - 3" x 0.131" nails 3 - 3" 14 gage staples | lozenge |
| 20. 1" diagonal brace to each stud and plate | 2 - 8d common (2) x 0.1317) 2 - 3" x 0.131" nails 3 - 3" 14 gage staples | face nail |
| 21. 1" x 6" sheathing to each bearing | 3 - 8d common (2) x 0.1317) | face nail |
| 22. Hider than 1" x 6" sheathing to each bearing | 3 - 8d common (2) x 0.1317) | face nail |
| 23. Built-up corner studs | 1 - 8d common (2) x 0.1317) 3" x 0.131" nail 3" 14 gage staples | 24" o.c. 8" o.c. 8" o.c. |
| 24. Built-up girder and beams | 2 - 8d common (4) x 0.1317) 3/4" o.c. 3" x 0.131" nail at 24" o.c. 3" 14 gage staples at 24" o.c. 3 - 20d common (4 x 0.1427) 3 - 3" x 0.131" nails 3 - 3" 14 gage staples | face nail at top and bottom staggered on opposite sides face nail at ends and at each splice |
| 25. 2" planks | 1 - 8d common (2) x 0.1317) | at each bearing |
| 26. Collar tie to rafter | 3 - 10d common (3" x 0.1487) 4 - 3" x 0.131" nails 4 - 3" 14 gage staples | face nail |
| 27. Collar tie to rafter | 3 - 10d common (3" x 0.1487) 4 - 3" x 0.131" nails 4 - 3" 14 gage staples | face nail |
| 28. Jack rafter to hip | 3 - 10d common (3" x 0.1487) 4 - 3" x 0.131" nails 4 - 3" 14 gage staples | lozenge |
| 29. Roof rafter to 2x4 ridge beam | 2 - 8d common (2) x 0.1317) 2 - 3" x 0.131" nails 3 - 3" 14 gage staples | lozenge |
| 30. Joint to band joint | 2 - 8d common (2) x 0.1317) 2 - 3" x 0.131" nails 3 - 3" 14 gage staples | face nail |
| 31. Ledger strip | 3 - 8d common (2) x 0.1317) 3 - 3" x 0.131" nails 4 - 3" 14 gage staples | face nail |
| 32. Wood structural panels and particboard ^b subfloor, roof and wall sheathing (to framing) | 3/4" and less 6d ^c 1" x 1" 3/4" x 1" 3/4" x 1" 3/4" x 1" | 2 1/2" x 0.131" nail ^d 2 1/2" x 0.131" nail ^d 2 1/2" x 0.131" nail ^d 2 1/2" x 0.131" nail ^d 2 1/2" x 0.131" nail ^d |
| Single floor construction with floor/ceiling to framing | 3/4" and less 6d ^c 3/4" x 1" 3/4" x 1" | 2 1/2" x 0.131" nail ^d 2 1/2" x 0.131" nail ^d 2 1/2" x 0.131" nail ^d 2 1/2" x 0.131" nail ^d |
| 33. Panel siding to framing | 3/4" and less 6d ^c | 2 1/2" x 0.131" nail ^d |
| 34. Fiberboard sheathing ^e | 3/4" and less 6d ^c | 2 1/2" x 0.131" nail ^d |
| 35. Interior paneling | 1" and less 6d ^c | 2 1/2" x 0.131" nail ^d |

For S4.1 1 inch = 25.4 mm
a. Common or box nails are permitted to be used except where otherwise stated.
b. Nails spaced at 6 inches on center at edges, 12 inches at intermediate supports except 6 inches at supports where spans are 48 inches or more. For nailing of wood structural panel and particboard sheathing and shear wall, refer to Section 2305. Nails for wall sheathing are permitted to be common box or casing.
c. Common or deformed shank (6d - 2" x 0.1317), 6d - 2 1/2" x 0.1317), 6d - 2 1/2" x 0.1317), 6d - 2 1/2" x 0.1317).
d. Common (6d - 2" x 0.1317), 6d - 2 1/2" x 0.1317), 6d - 2 1/2" x 0.1317), 6d - 2 1/2" x 0.1317).
e. Corrosion-resistant siding (6d - 3/4" x 0.1317), 6d - 3/4" x 0.1317) or casing (6d - 3/4" x 0.1317) nail.
f. Fasteners spaced 6 inches on center at exterior edges and 6 inches on center at intermediate supports. When used as structural sheathing, spacing shall be 6 inches on center on the edges and 12 inches on center at intermediate supports for nonstructural applications.
g. Corrosion-resistant roofing nails with 3/8-inch diameter head and 1 1/2-inch length for 1/2-inch sheathing and 1 1/4-inch length for 3/4-inch sheathing.
h. Corrosion-resistant nails with nominal 3/8-inch crown and 1 1/2-inch length for 1/2-inch sheathing and 1 1/4-inch length for 3/4-inch sheathing at inches (20 inches if strength axis in the long direction of panel) unless otherwise marked.
i. Panel supports at 24 inches, ceiling or floor nails spaced 6 inches on panel edges, 12 inches at intermediate supports.
j. For roof sheathing applications, 8d nails (2 1/2" x 0.1317) are the minimum required for wood structural panels.
k. Staples shall have a minimum crown width of 3/8 inch.
l. For roof sheathing applications, fasteners spaced 4 inches on center at edges, 6 inches at intermediate supports. Fasteners spaced 6 inches on center at edges, 8 inches at intermediate supports for subfloor and wall sheathing and 6 inches on center at edges, 8 inches at intermediate supports for roof sheathing.
m. Fasteners spaced 4 inches on center at edges, 6 inches at intermediate supports.

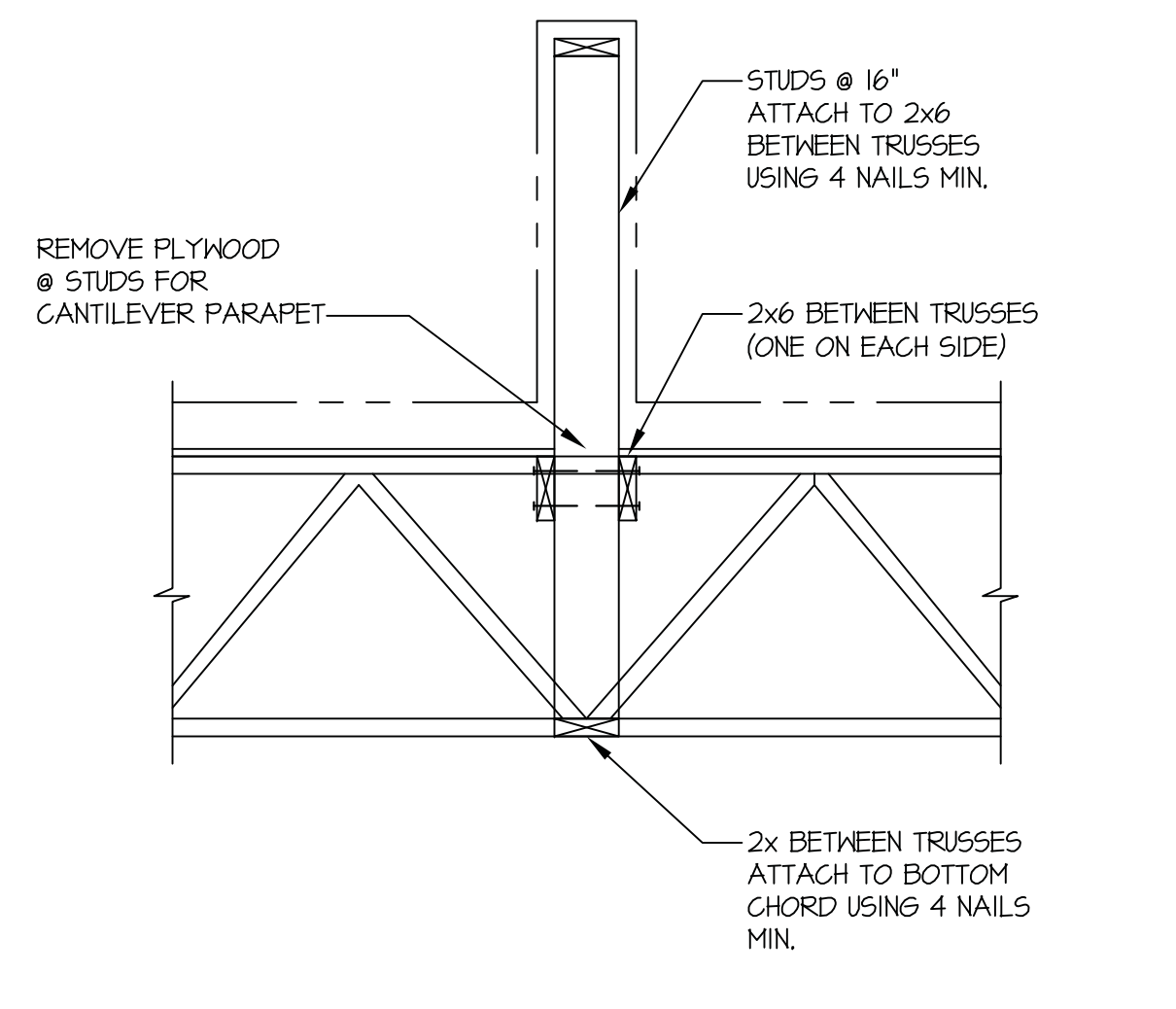


PARAPET RETURN WALL

NO SCALE 16 NO SCALE 12 NO SCALE 8

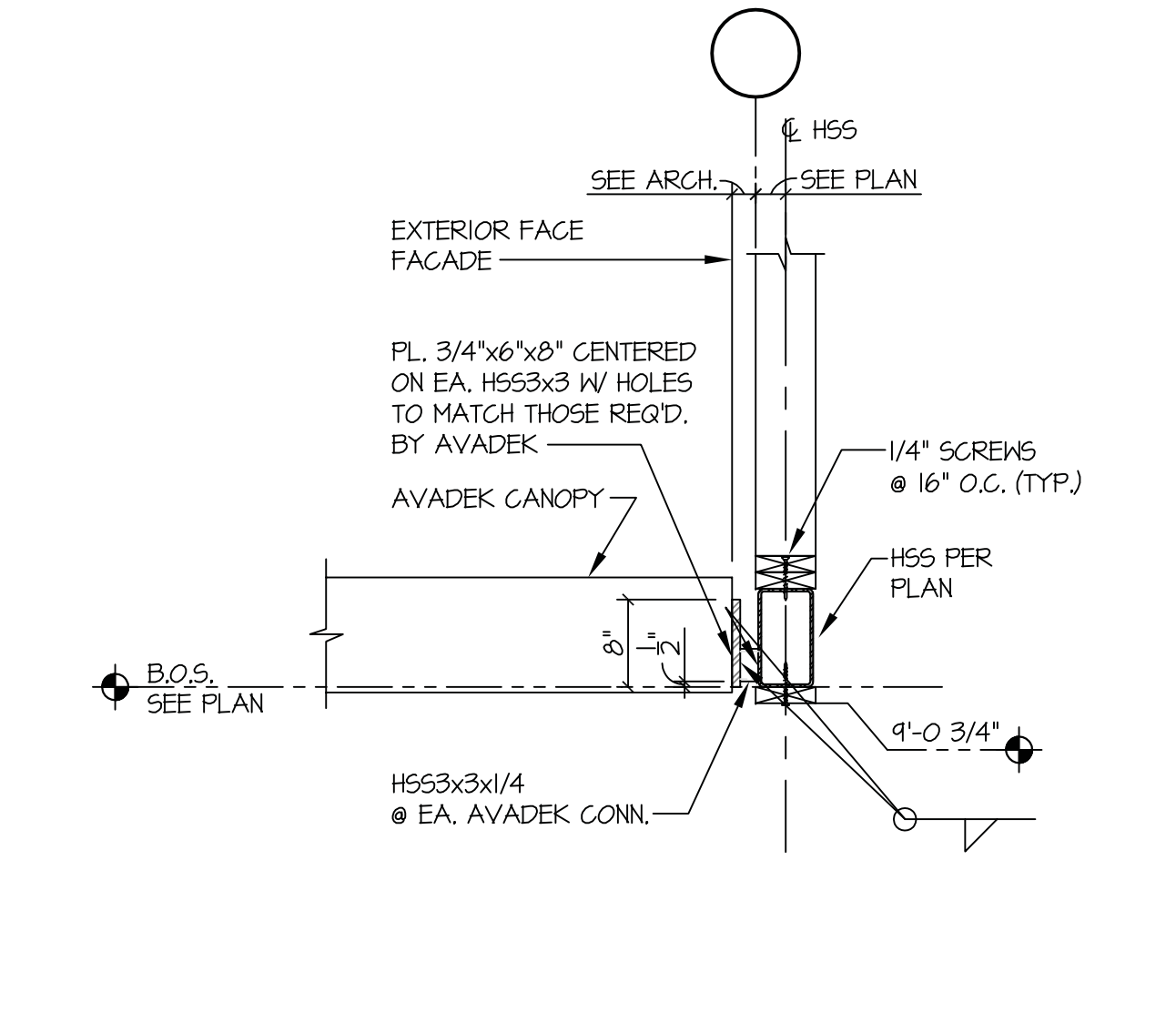


SCALE: 3/4" = 1'-0"



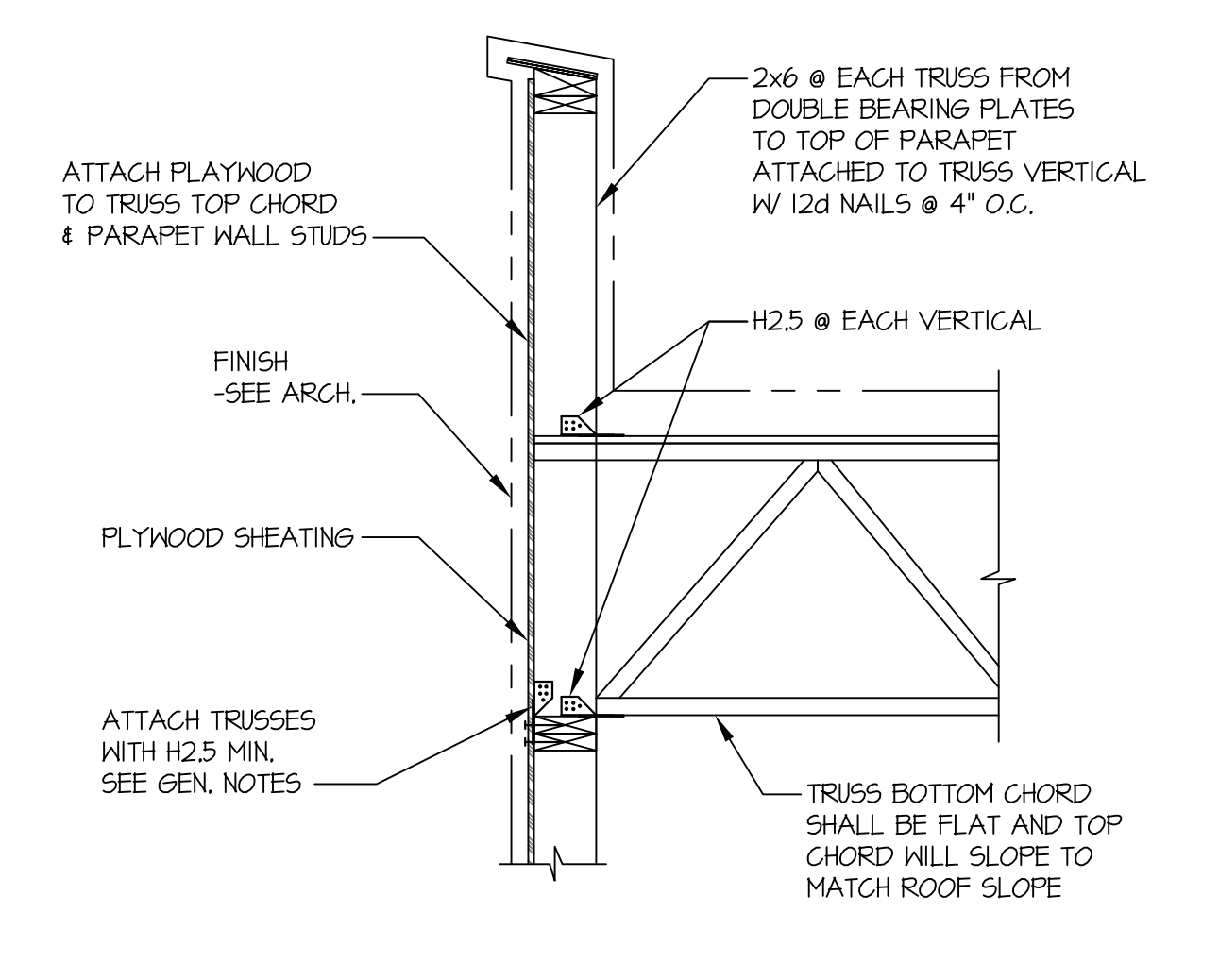
PARAPET RETURN WALL

SCALE: 3/4" = 1'-0"

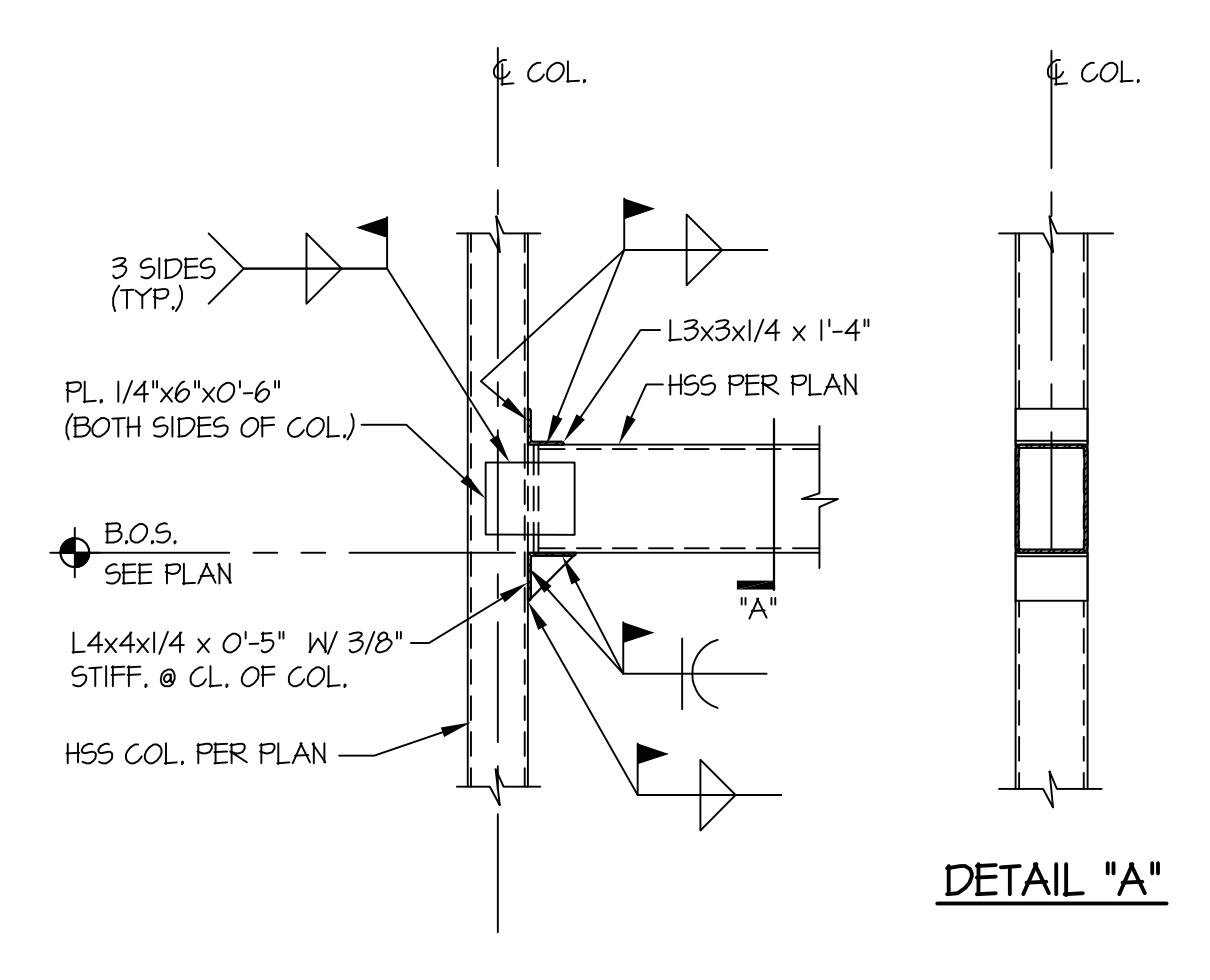


TYPICAL DETAIL CANOPY CONNECTION

SCALE: 3/4" = 1'-0"

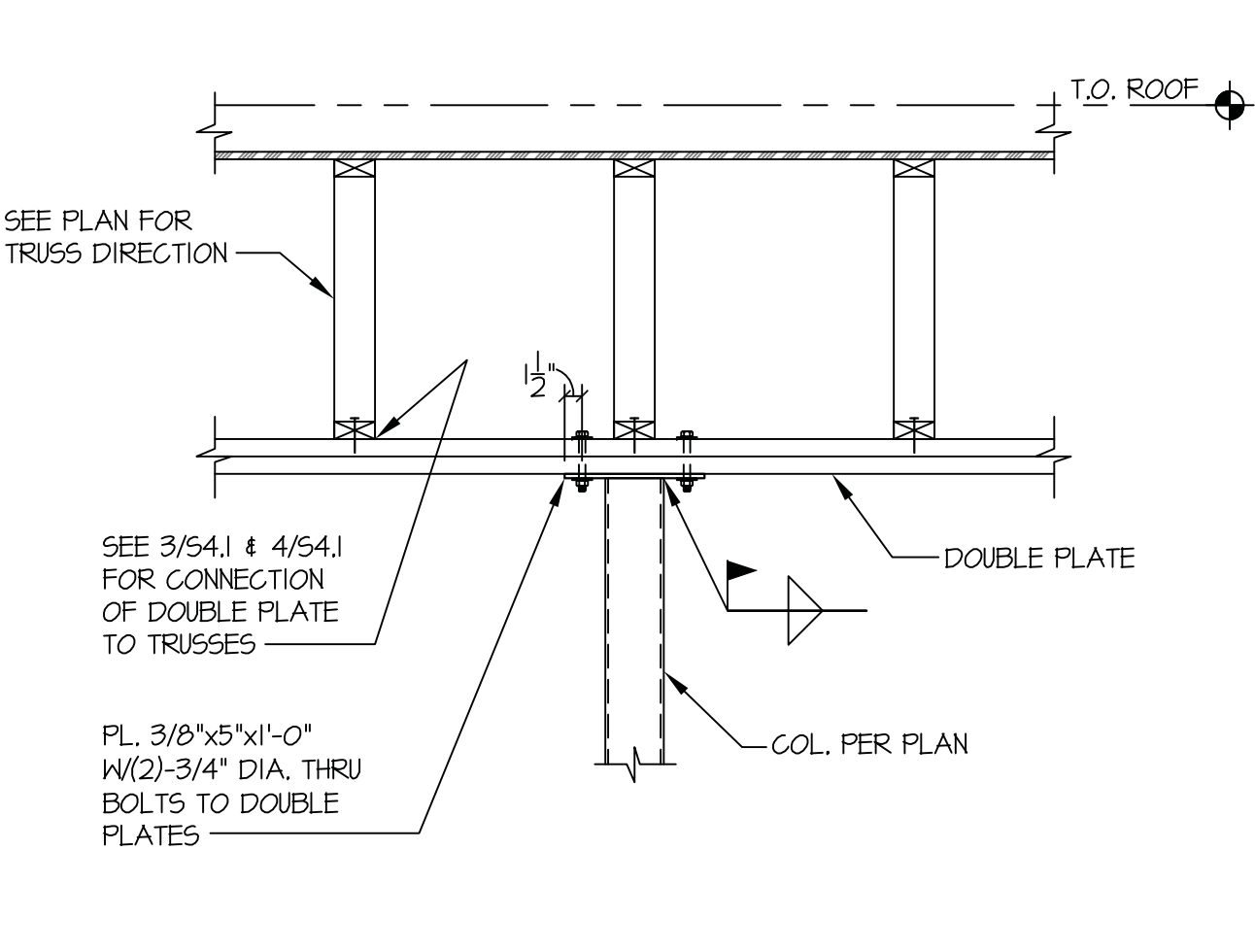


SCALE: 3/4" = 1'-0"



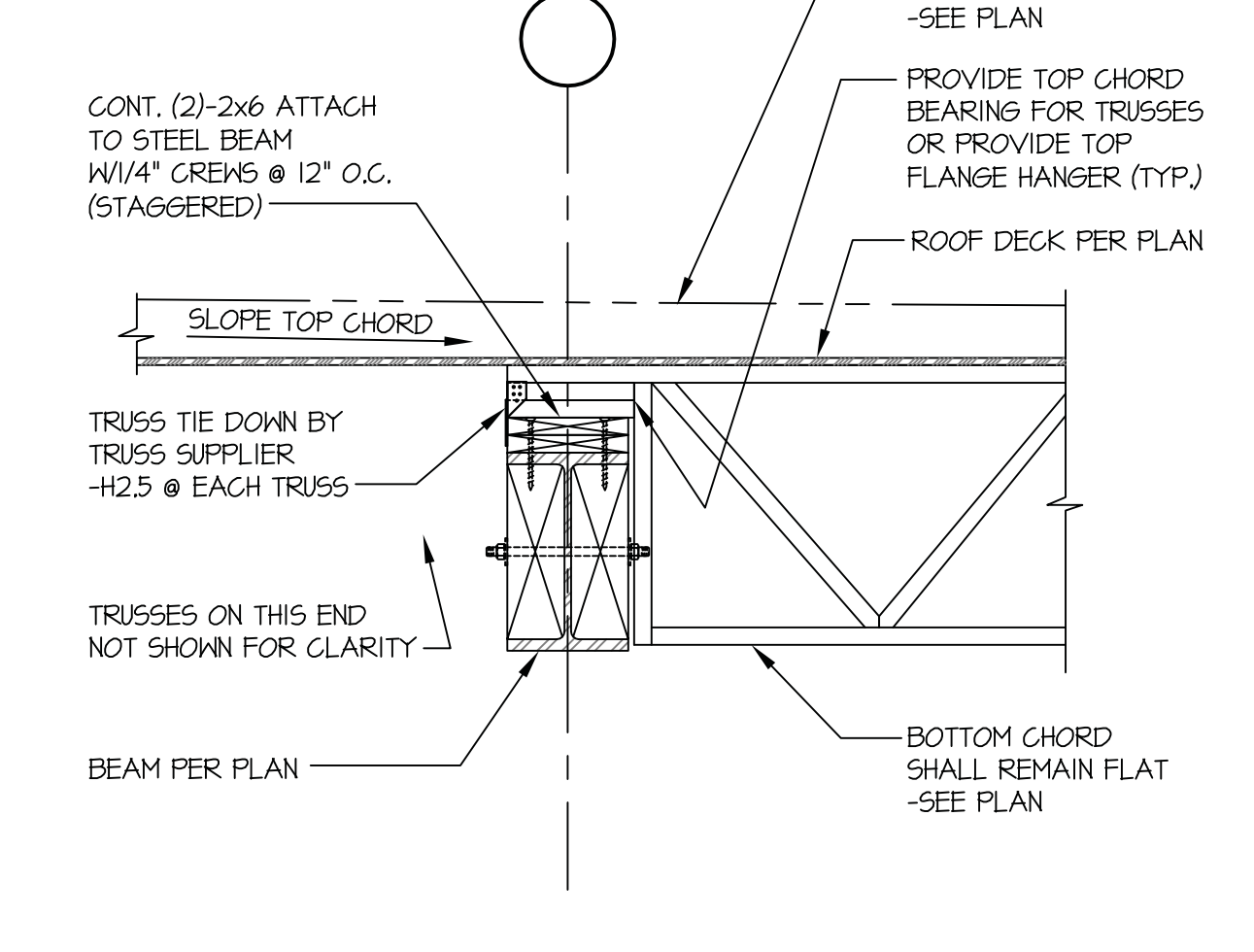
TYPICAL DETAIL H55 BEAM TO COLUMN

SCALE: 3/4" = 1'-0"



TYPICAL DETAIL CONNECTION OF STEEL COLUMNS TO DOUBLE PLATES

SCALE: 3/4" = 1'-0"



TYPICAL DETAIL CONNECTION OF STEEL BEAM TO COLUMN

SCALE: 3/4" = 1'-0"

SCALE: 3/4" = 1'-0"

SCALE: 3/4" = 1'-0"

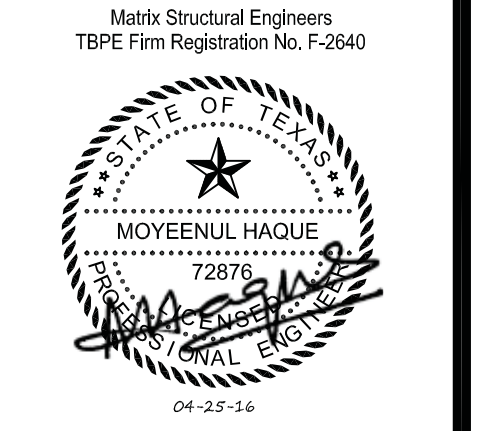
SCALE: 3/4" = 1'-0"

SCALE: 3/4" = 1'-0"

SCALE: 3/4" = 1'-0"

SCALE: 3/4" = 1'-0"

WINDLE + VOLPE
ARCHITECTS
16600 9TH STREET
HOUSTON, TEXAS 77065
PH: 713-955-1390



PAD BUILDING AT THE CROSSROADS MALL GREENVILLE, TEXAS
GREENVILLE PROPERTIES LTD.
GREENVILLE, TEXAS

| | | | |
|-------------|----------|----|----|
| DATE | 4/25/16 | BY | BN |
| PROJECT NO. | 05-14-05 | | |
| DRAWN BY | | | |

FRAMING DETAILS

S4.1