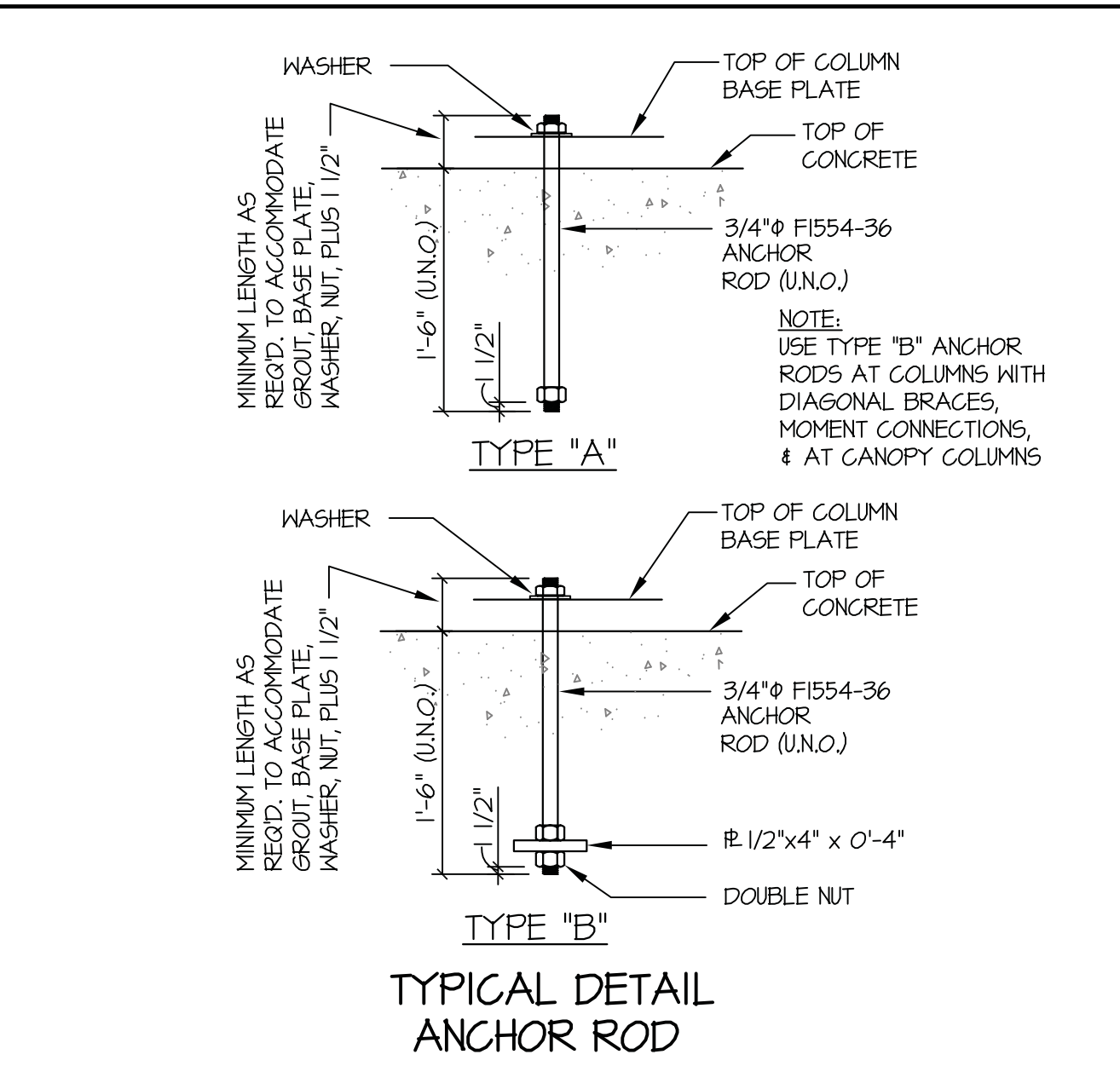


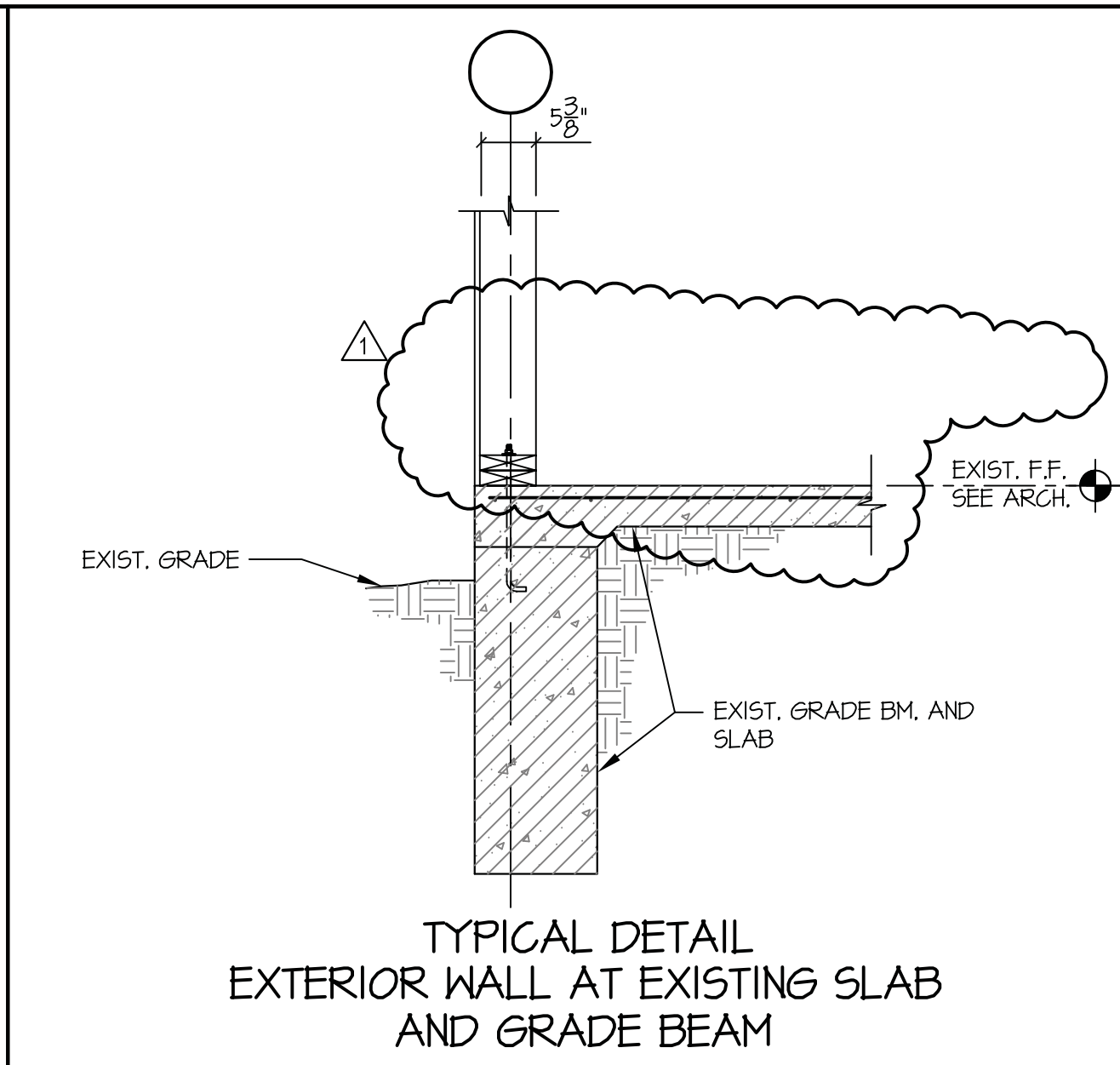
TYPICAL DETAIL
OPENING THRU GRADE BEAM
THAT CONFLICTS WITH BOTTOM REINF.

NO SCALE 20



TYPICAL DETAIL
ANCHOR ROD

SCALE: 1 1/2" = 1'-0" 16



TYPICAL DETAIL
EXTERIOR WALL AT EXISTING SLAB
AND GRADE BEAM

NO SCALE 12

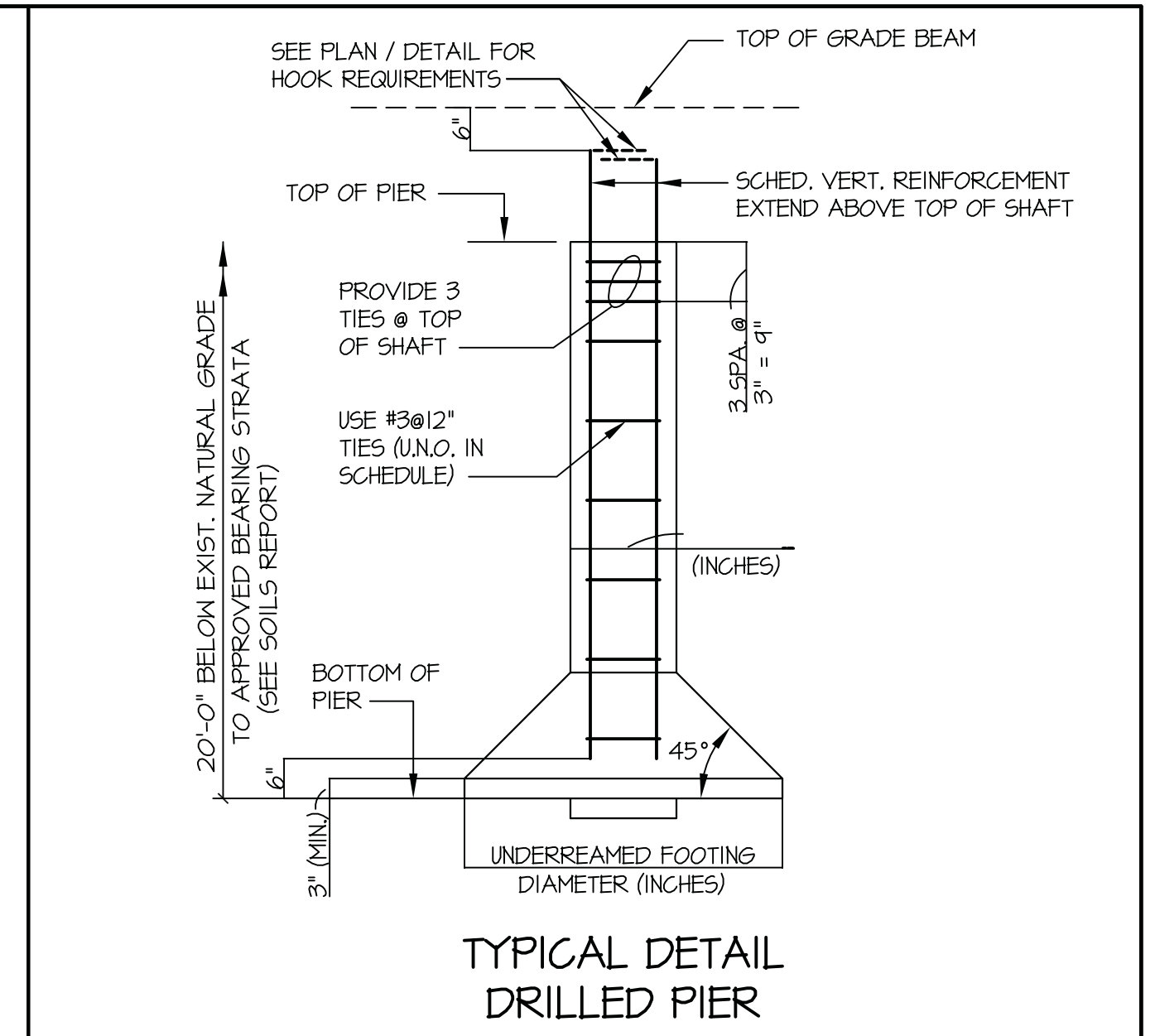
DRILLED PIER VERTICAL REINFORCEMENT SCHEDULE

SHAFT DIAMETER (INCHES)	VERTICAL REINFORCEMENT	TIES (USE #3 @ 12" U.N.O.)
12	3 - #5	
14, 16	4 - #5	
18, 20	4 - #6	
22, 24, 26	5 - #7	
28, 30	5 - #8	
36	5 - #9	
42	7 - #8	
48	7 - #10	
54	4 - #10	#4 @ 12"
60	4 - #11	#4 @ 12"
66	11 - #11	#4 @ 12"
72	13 - #11	#4 @ 12"

SHAFT BAR PLACEMENT PLANS

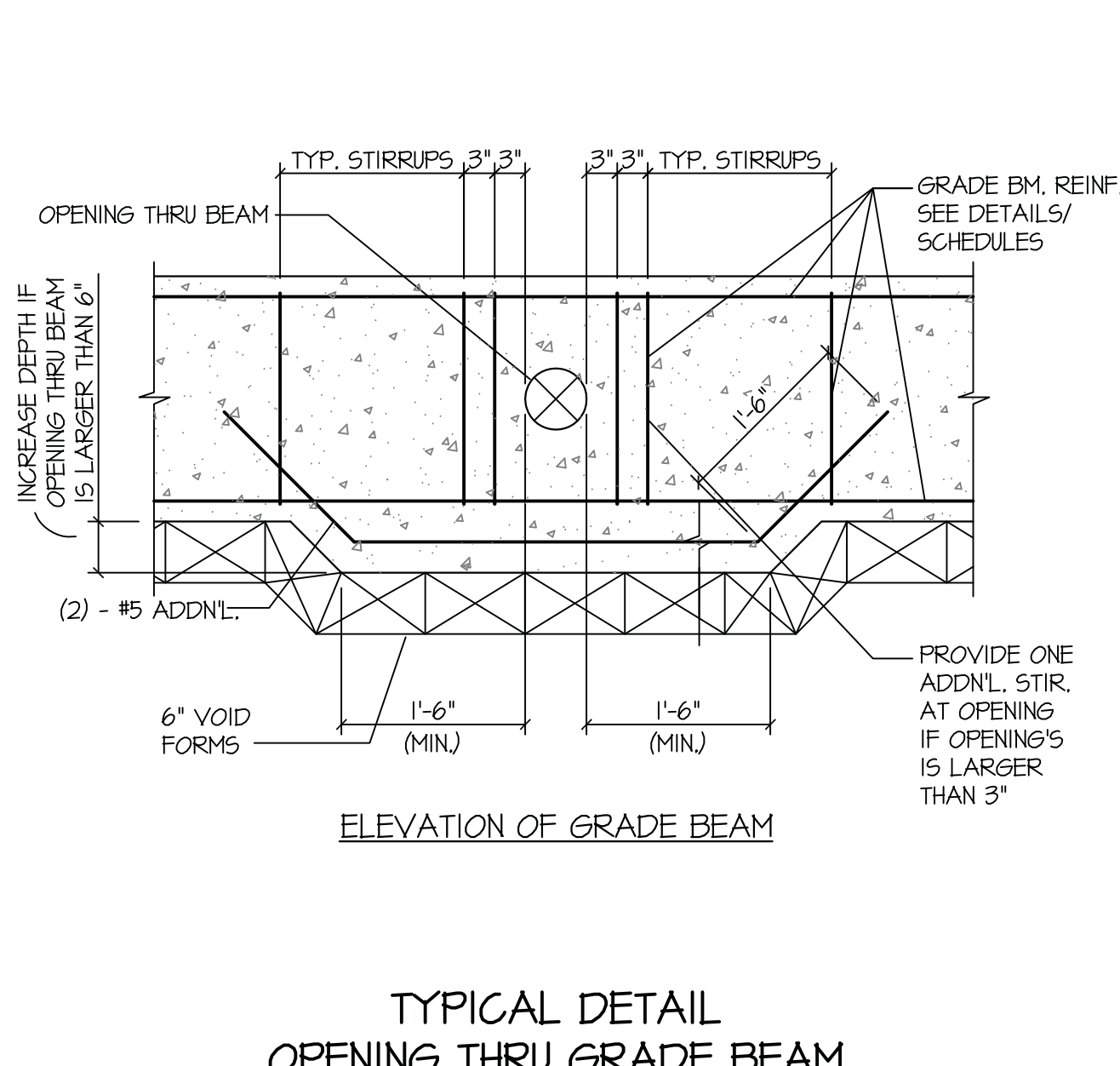
SHAFT BAR PLACEMENT PLANS

NO SCALE 8



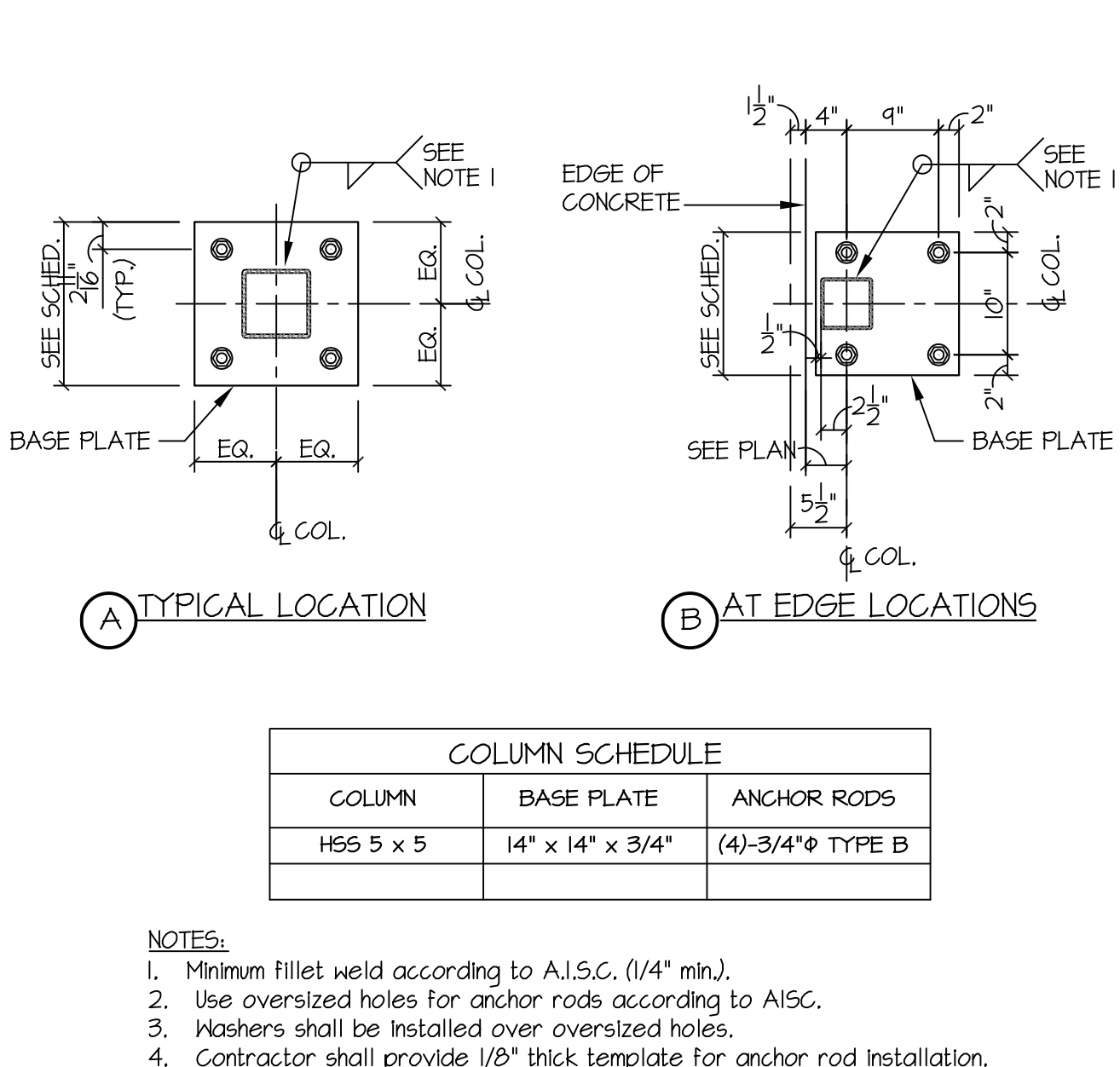
TYPICAL DETAIL
DRILLED PIER

SCALE: 3/4" = 1'-0" 4



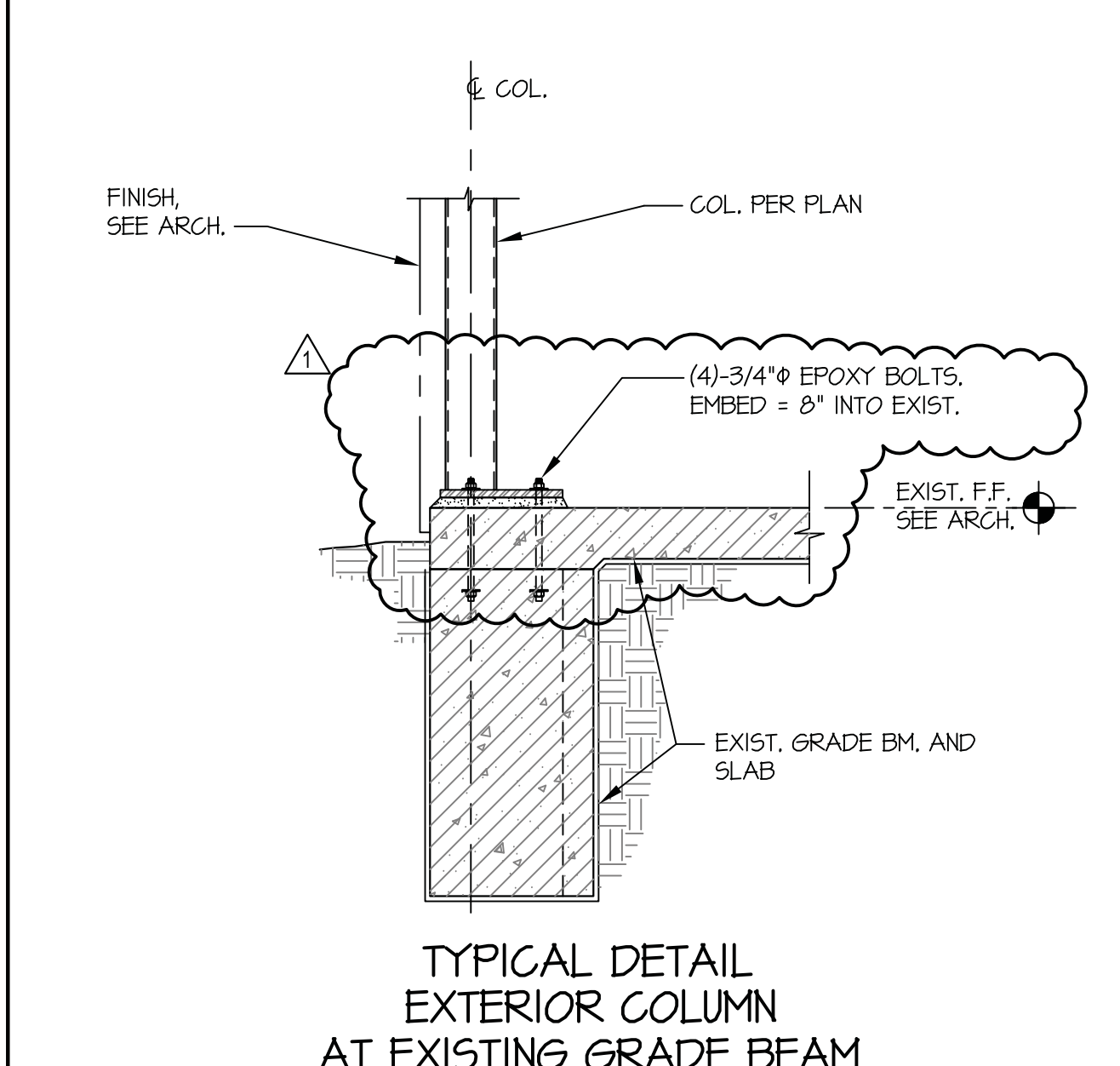
TYPICAL DETAIL
OPENING THRU GRADE BEAM

SCALE: 3/4" = 1'-0" 19



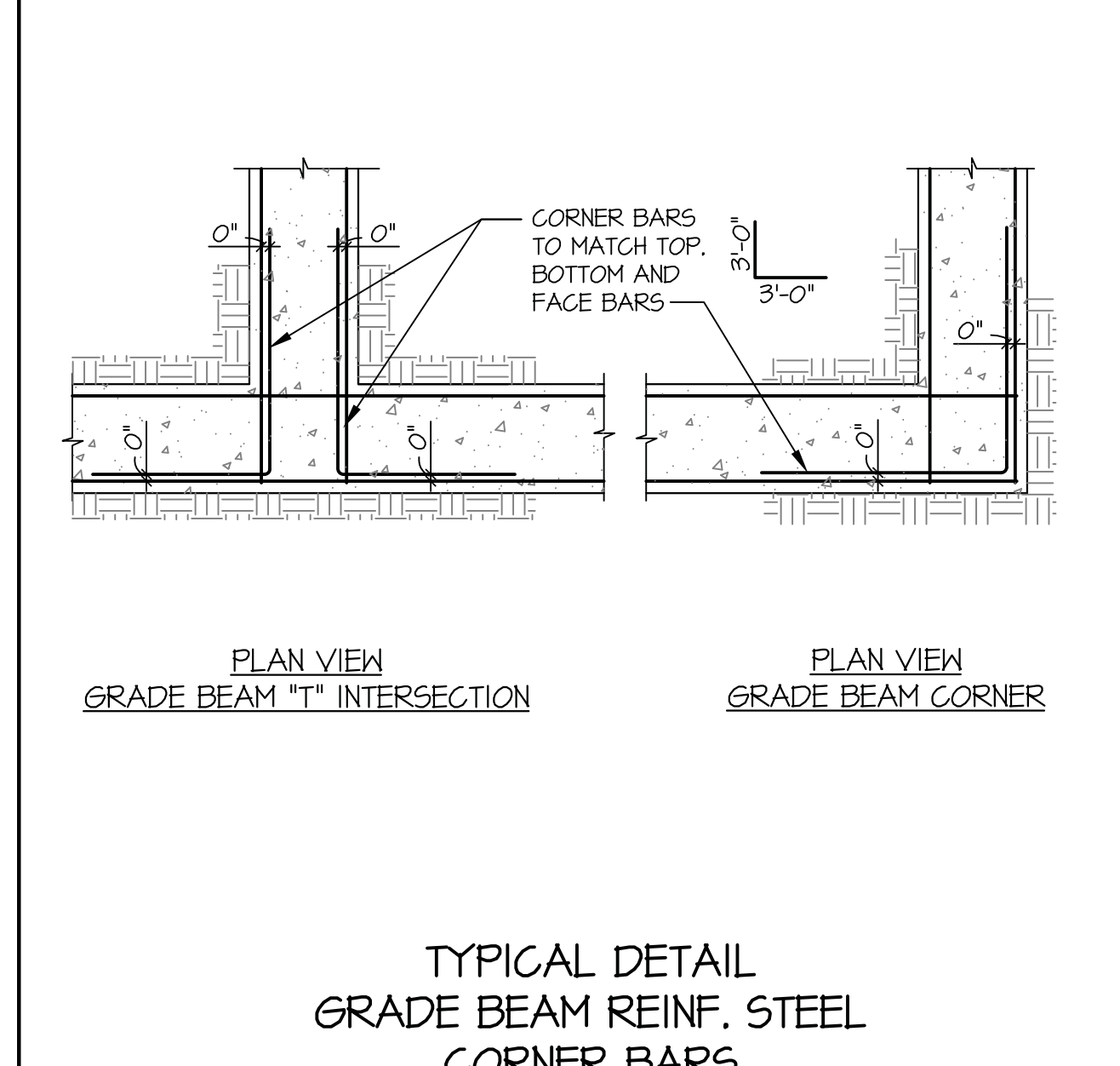
TYPICAL DETAIL
BASE PLATE AT HSS COLUMNS

SCALE: 3/4" = 1'-0" 15



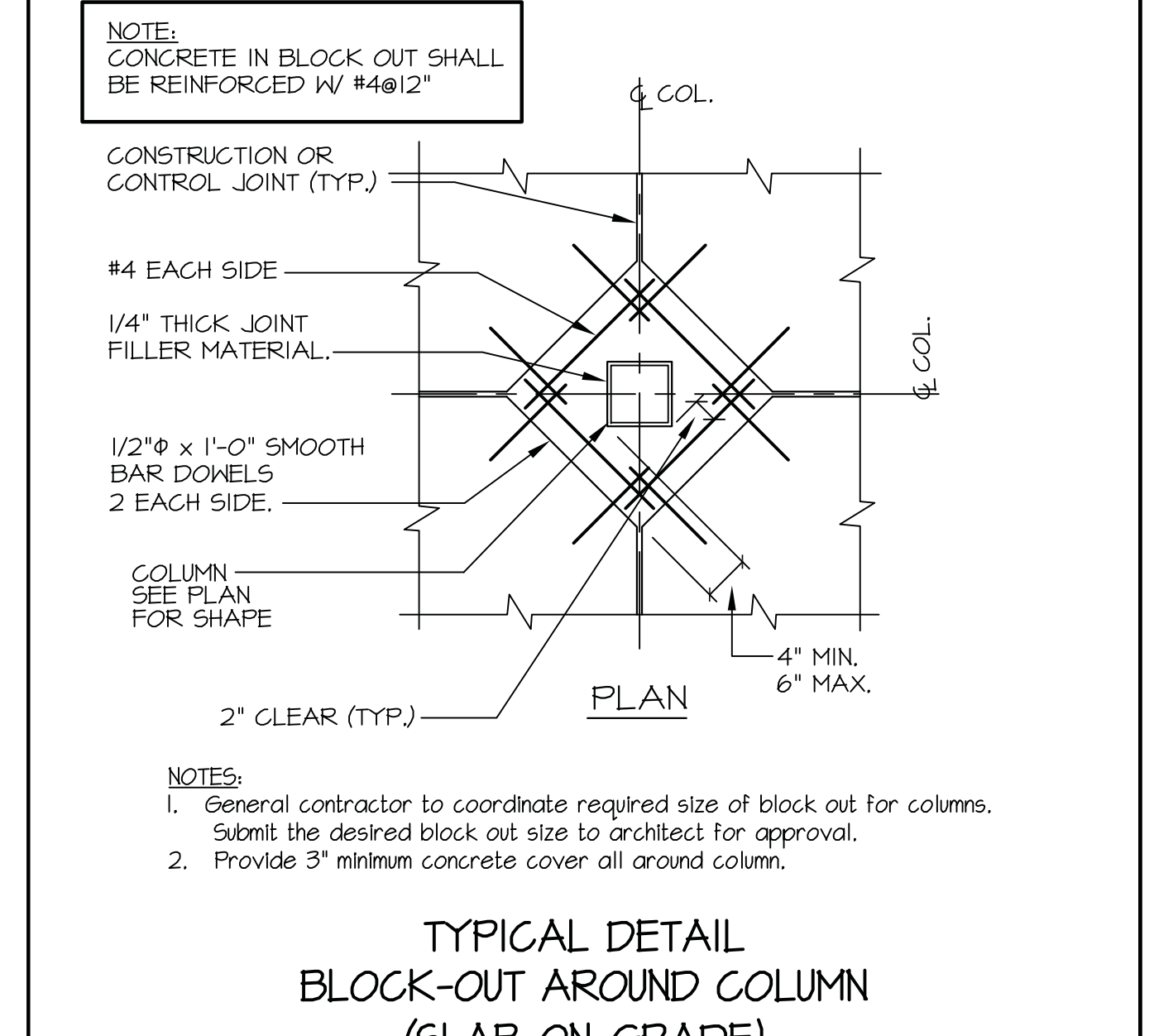
TYPICAL DETAIL
EXTERIOR COLUMN
AT EXISTING GRADE BEAM

SCALE: 3/4" = 1'-0" 11



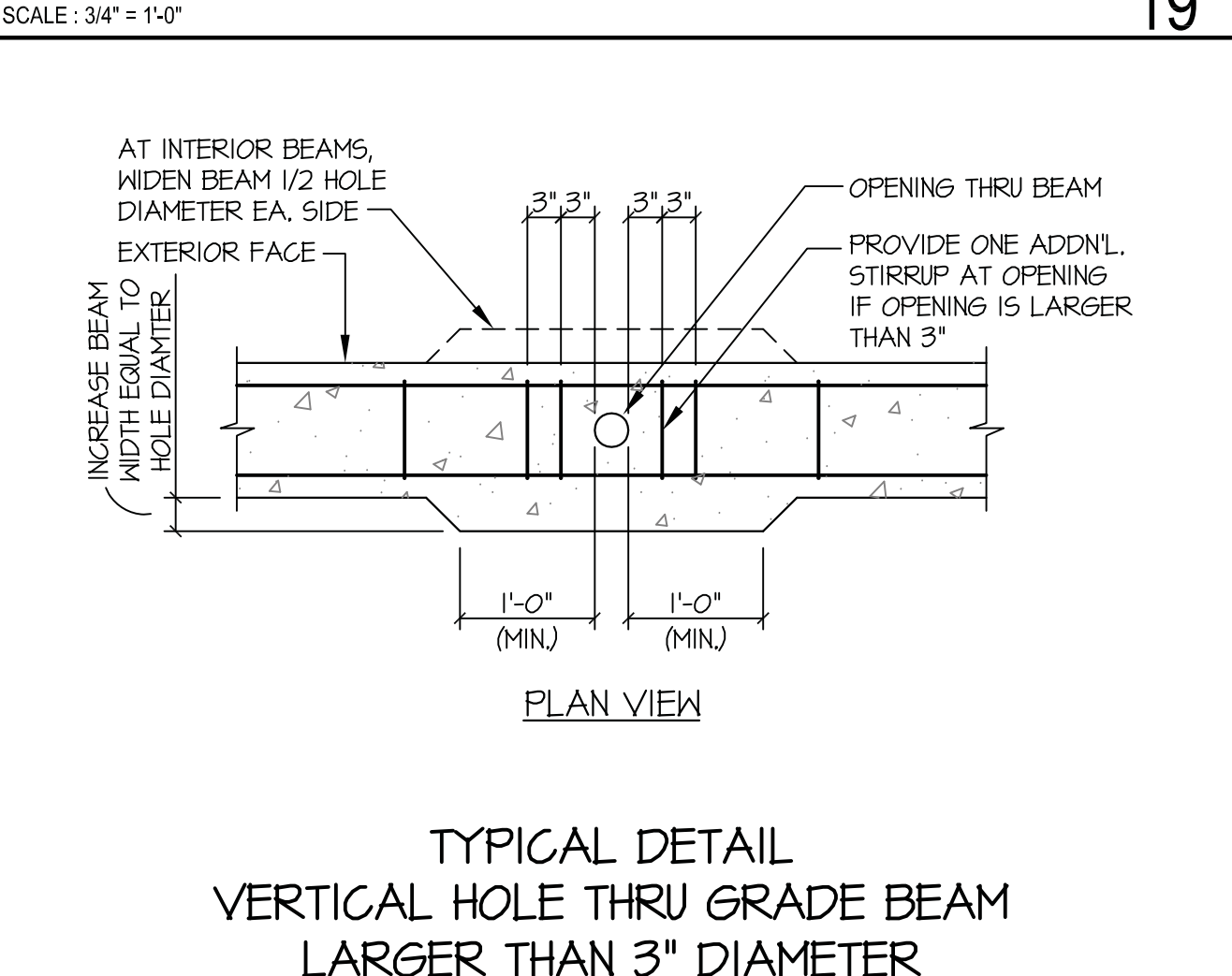
TYPICAL DETAIL
GRADE BEAM REINF. STEEL
CORNER BARS

SCALE: 3/4" = 1'-0" 7



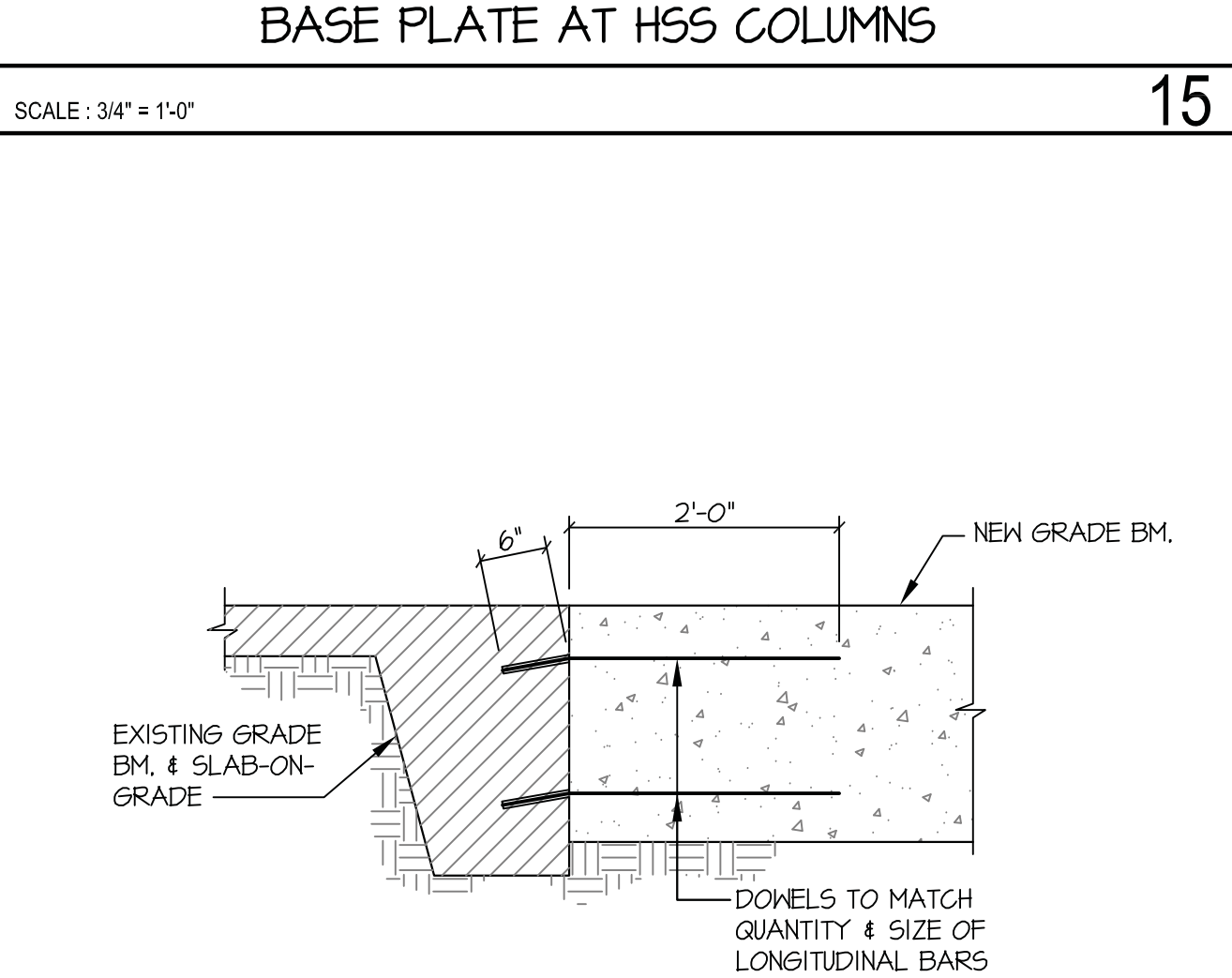
TYPICAL DETAIL
BLOCK-OUT AROUND COLUMN
(SLAB-ON-GRADE)

SCALE: 3/4" = 1'-0" 3



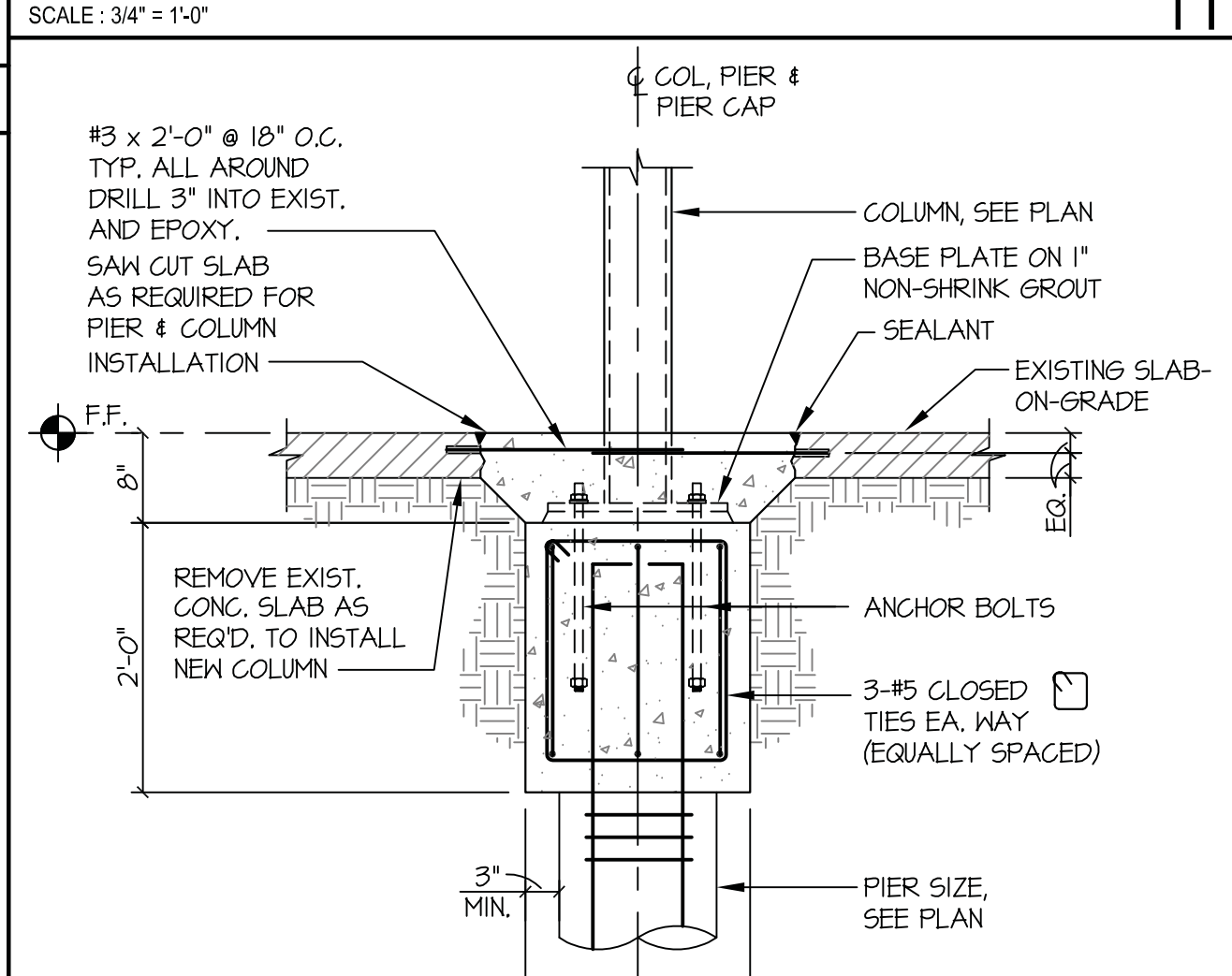
TYPICAL DETAIL
VERTICAL HOLE THRU GRADE BEAM
LARGER THAN 3" DIAMETER

SCALE: 3/4" = 1'-0" 18



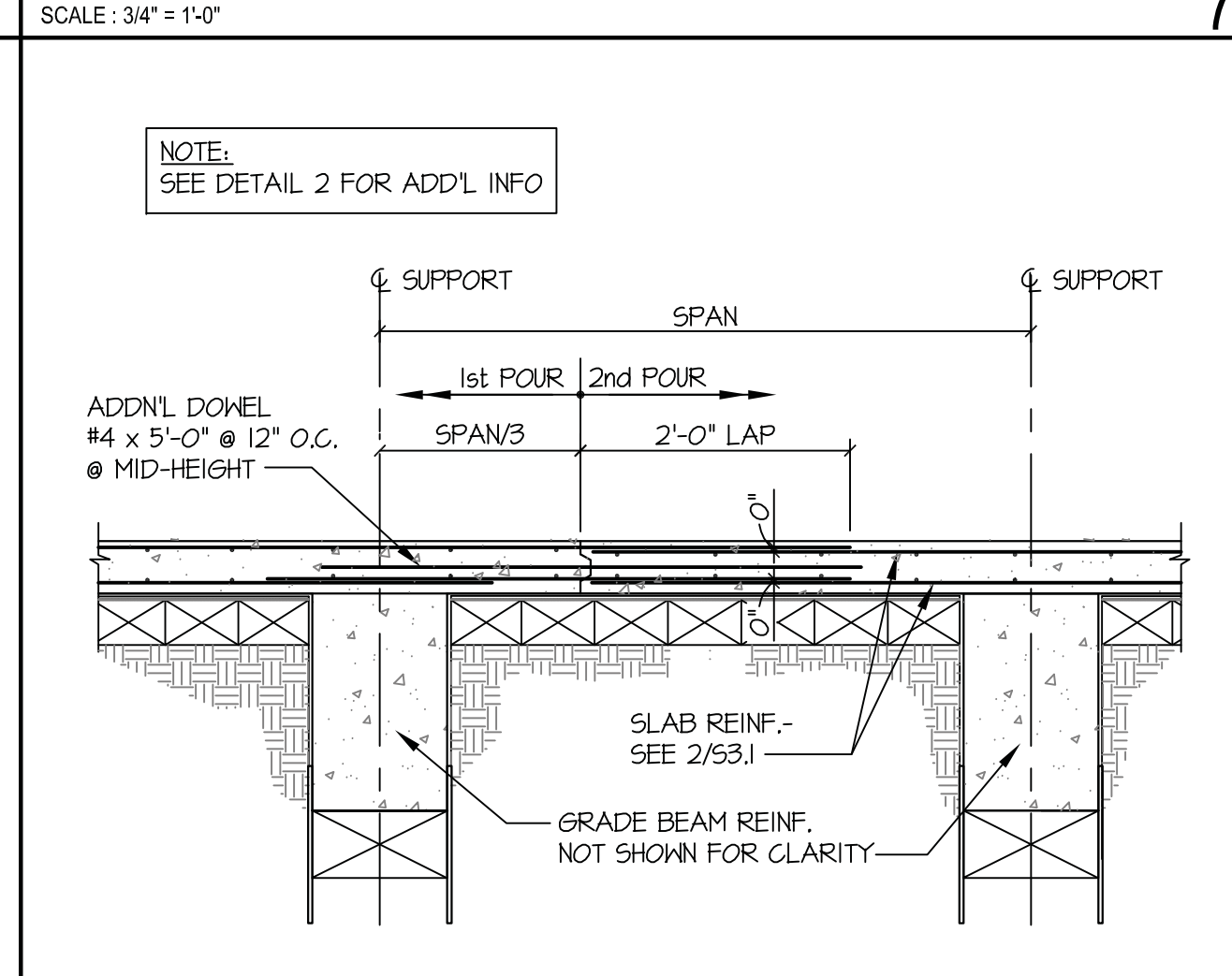
TYPICAL DETAIL
NEW GRADE BEAM CONNECTION
TO EXISTING GRADE BEAM

SCALE: 3/4" = 1'-0" 14



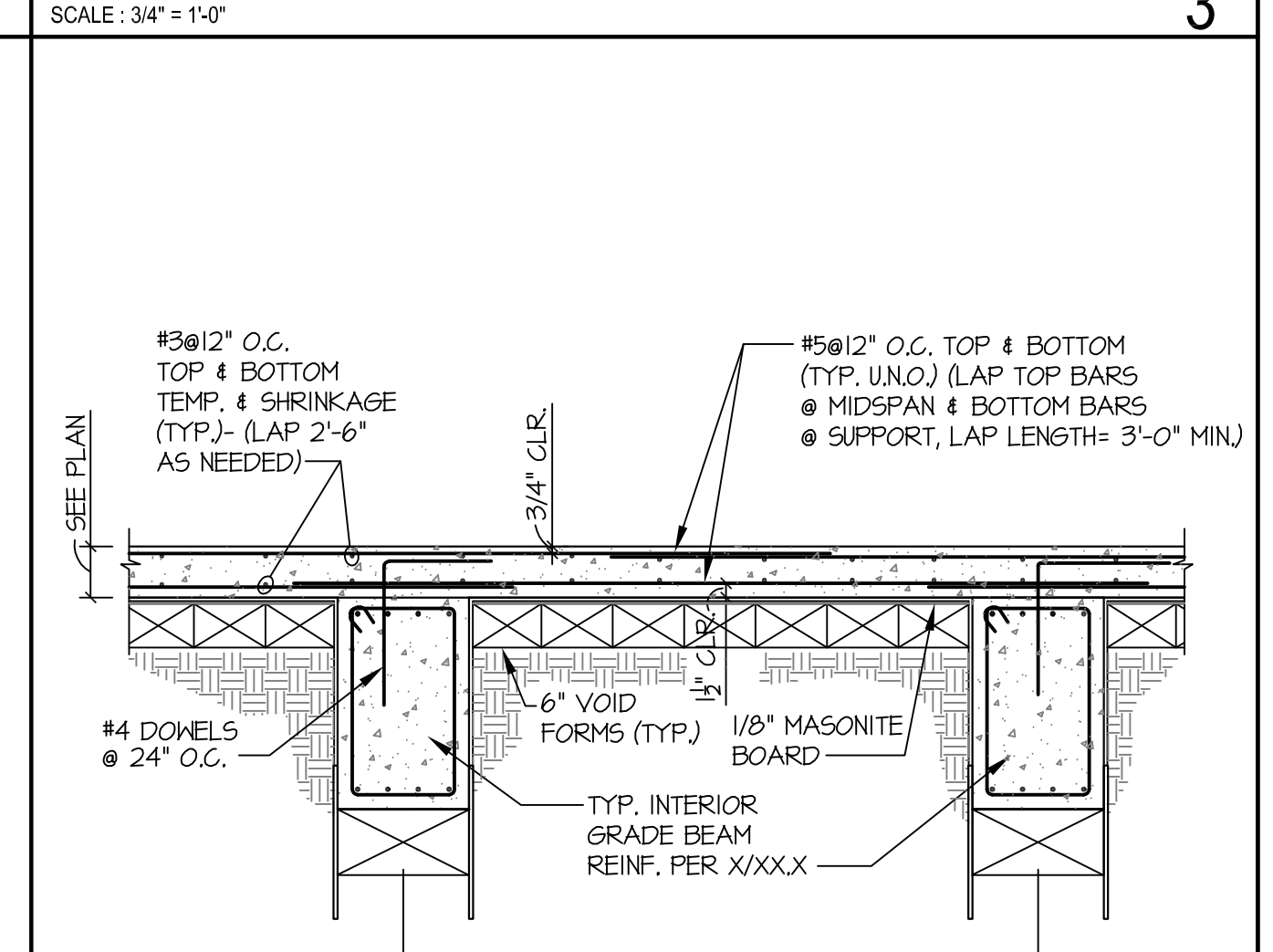
TYPICAL DETAIL
INTERIOR COLUMN CAP
AT EXISTING SLAB-ON-GRADE

SCALE: 3/4" = 1'-0" 10



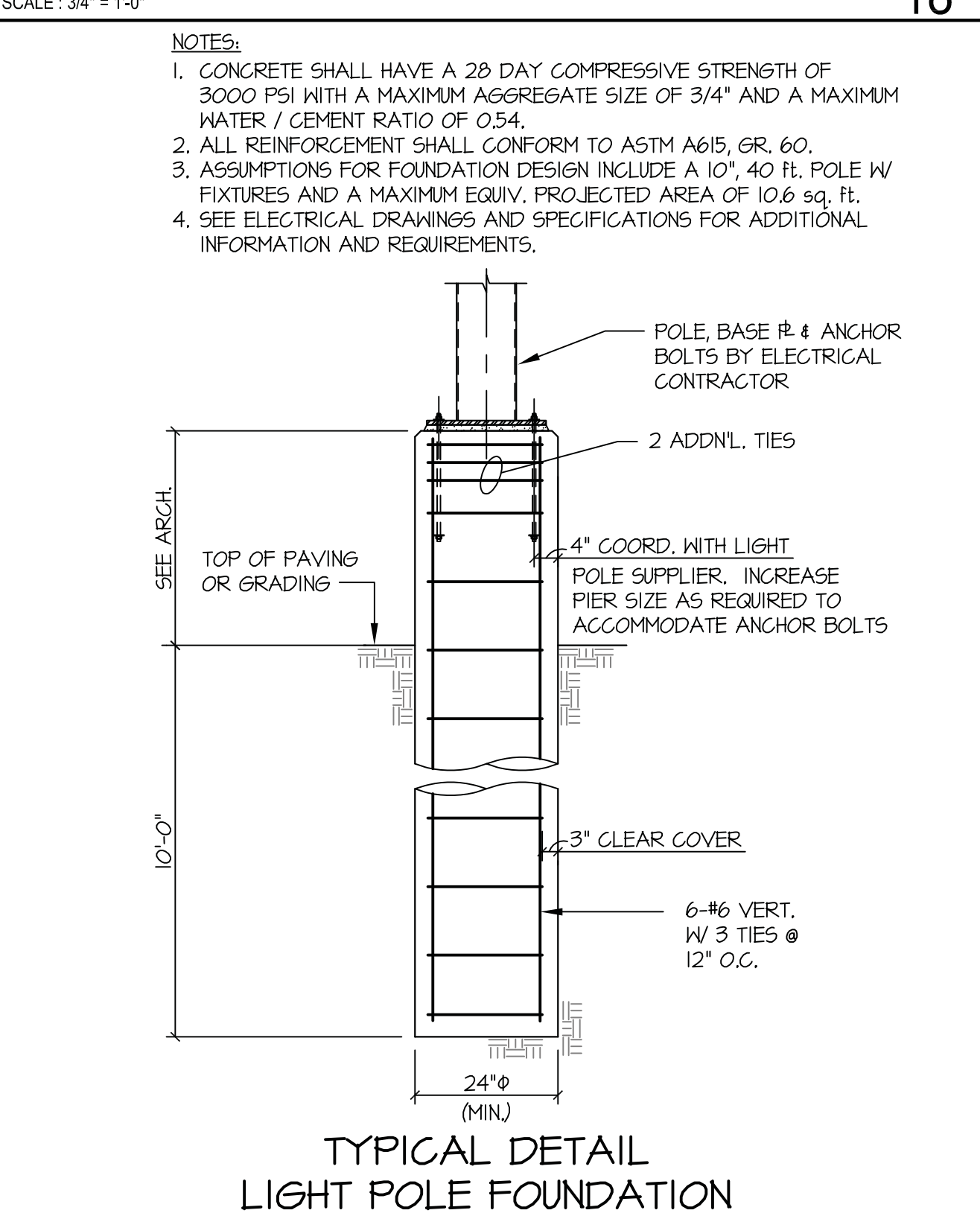
TYPICAL DETAIL
CONSTRUCTION JOINT
(STRUCTURAL SLAB)

SCALE: 3/4" = 1'-0" 6



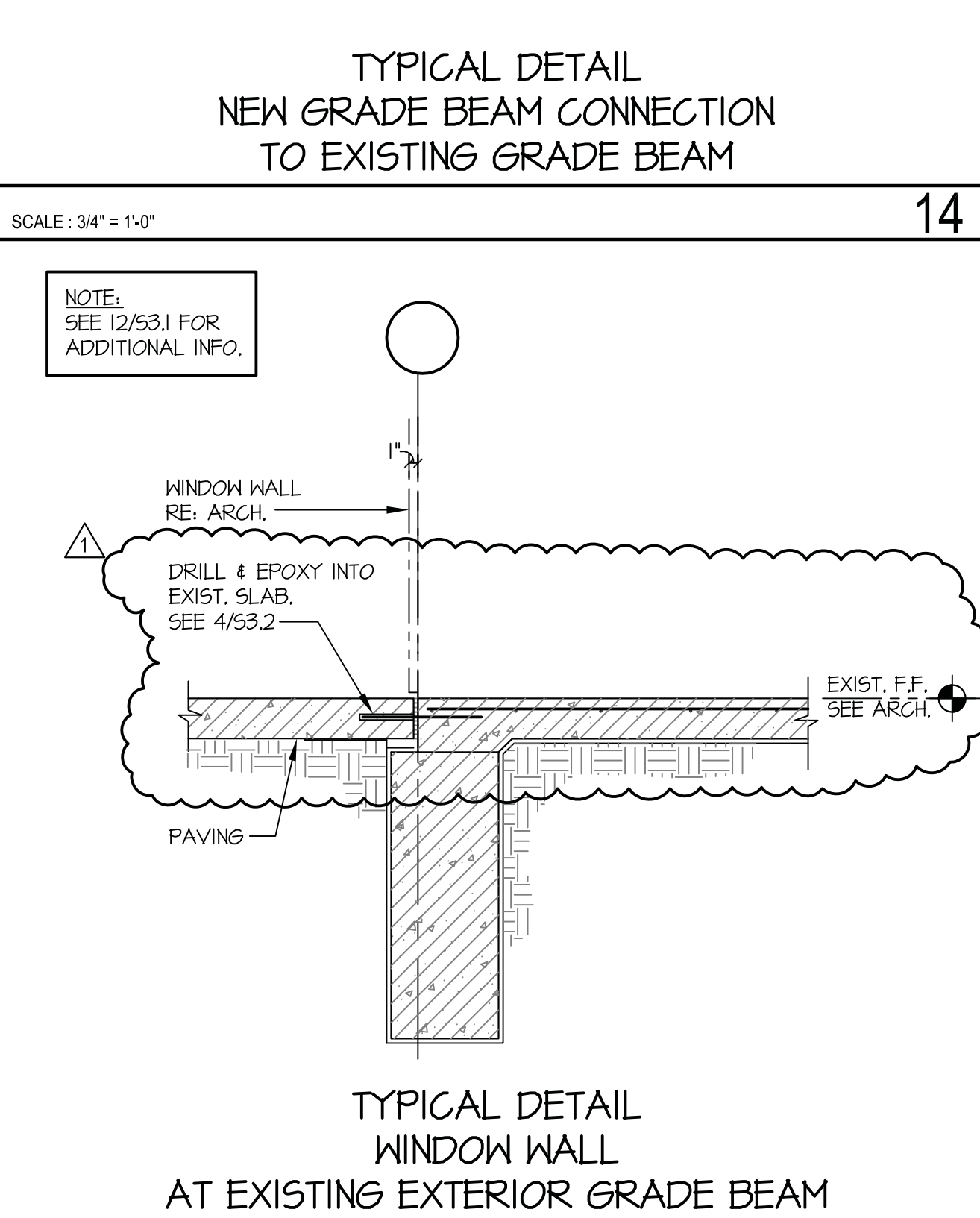
TYPICAL DETAIL
STRUCTURAL SLAB CONSTRUCTION
SUBGRADE PREPARATION

SCALE: 3/4" = 1'-0" 2



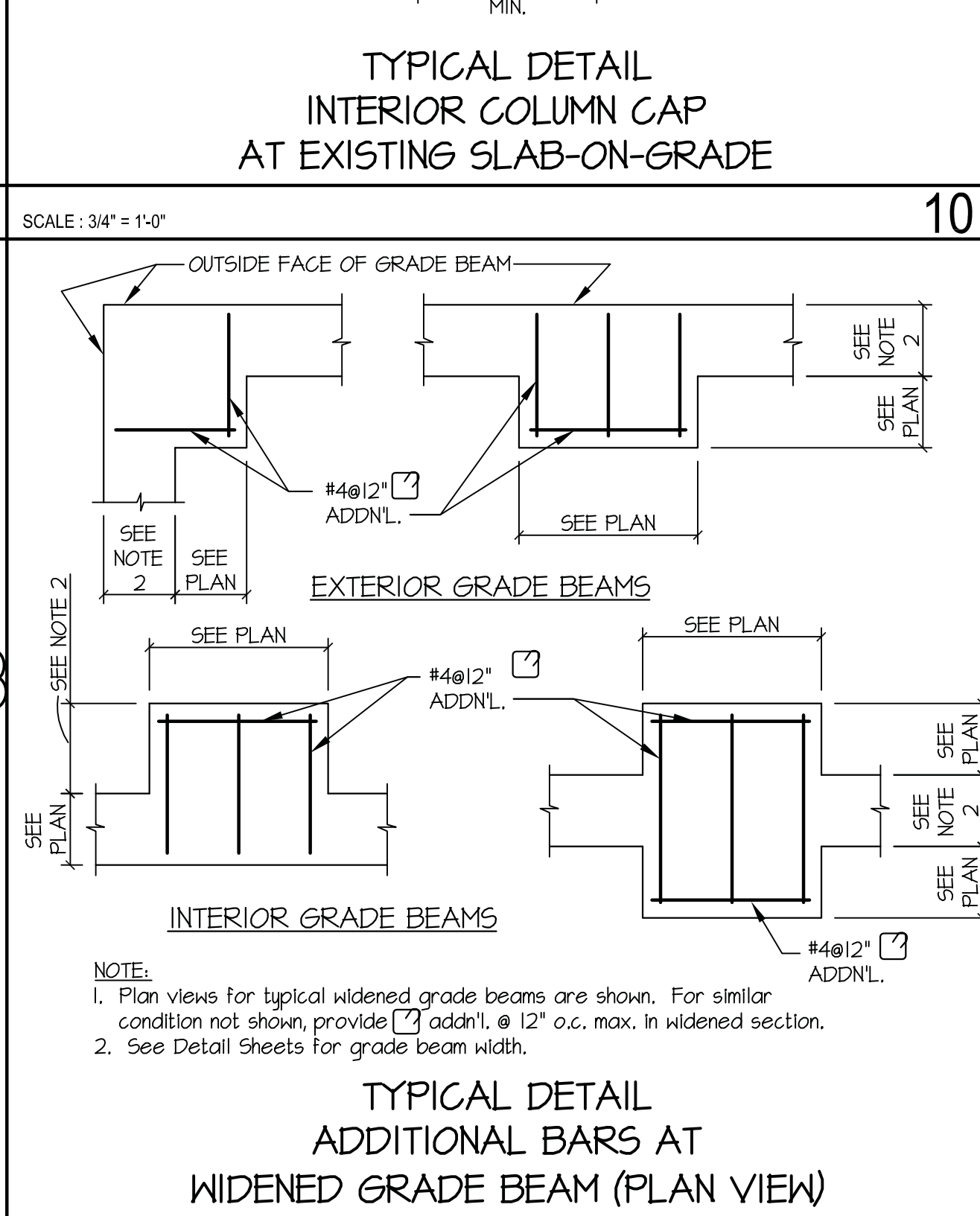
TYPICAL DETAIL
LIGHT POLE FOUNDATION

SCALE: 3/4" = 1'-0" 17



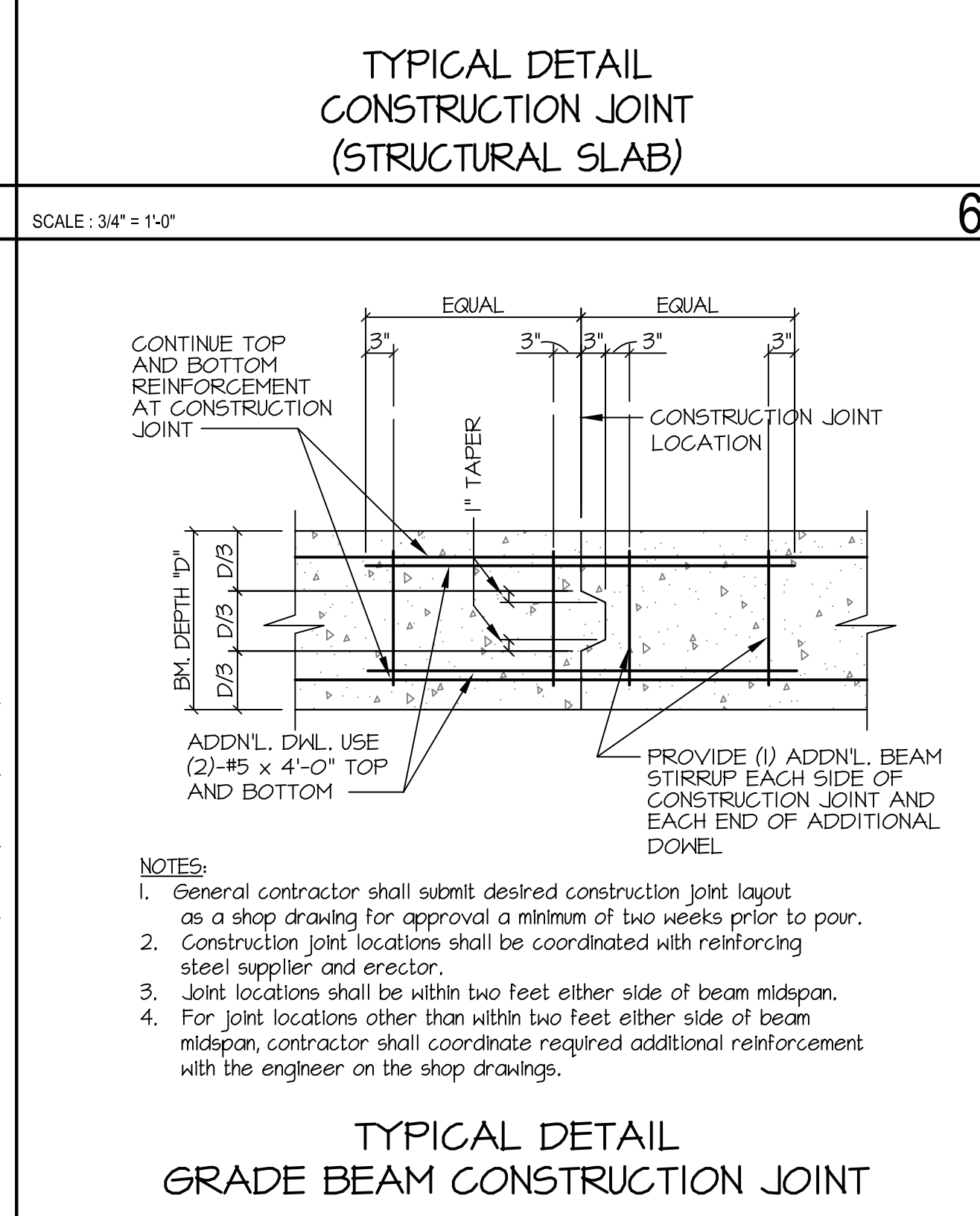
TYPICAL DETAIL
WINDOW WALL
AT EXISTING EXTERIOR GRADE BEAM

SCALE: 3/4" = 1'-0" 13



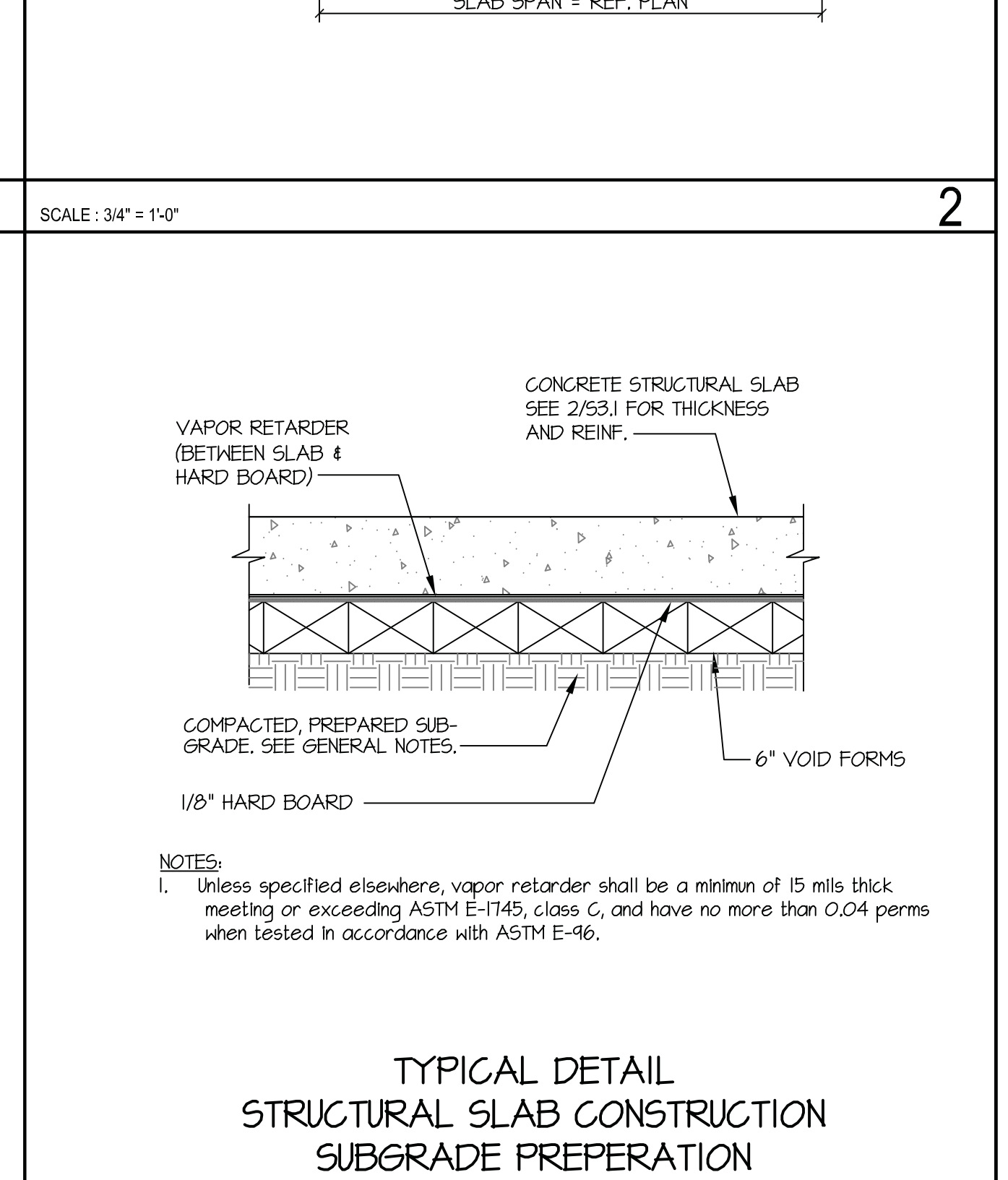
TYPICAL DETAIL
ADDITIONAL BARS AT
WIDENED GRADE BEAM (PLAN VIEW)

SCALE: 3/4" = 1'-0" 9



TYPICAL DETAIL
GRADE BEAM CONSTRUCTION JOINT

SCALE: 3/4" = 1'-0" 5



TYPICAL DETAIL
STRUCTURAL SLAB CONSTRUCTION
SUBGRADE PREPARATION

SCALE: 3/4" = 1'-0" 1

REVISED TO LOWER
SLAB ELEVATION

WINDLE + VOLPE
ARCHITECTS
PH 713-955-1390
HOUSTON, TEXAS 77065
7600 001 010 P



PAD BUILDING AT THE
CROSSROADS MALL
GREENVILLE, TEXAS

GREENVILLE PROPERTIES LTD.
GREENVILLE, TEXAS

DATE	10/21/16	BY
PROJECT NO.	05-14-05	
DRAWN BY		

FOUNDATION
DETAILS

S3.1