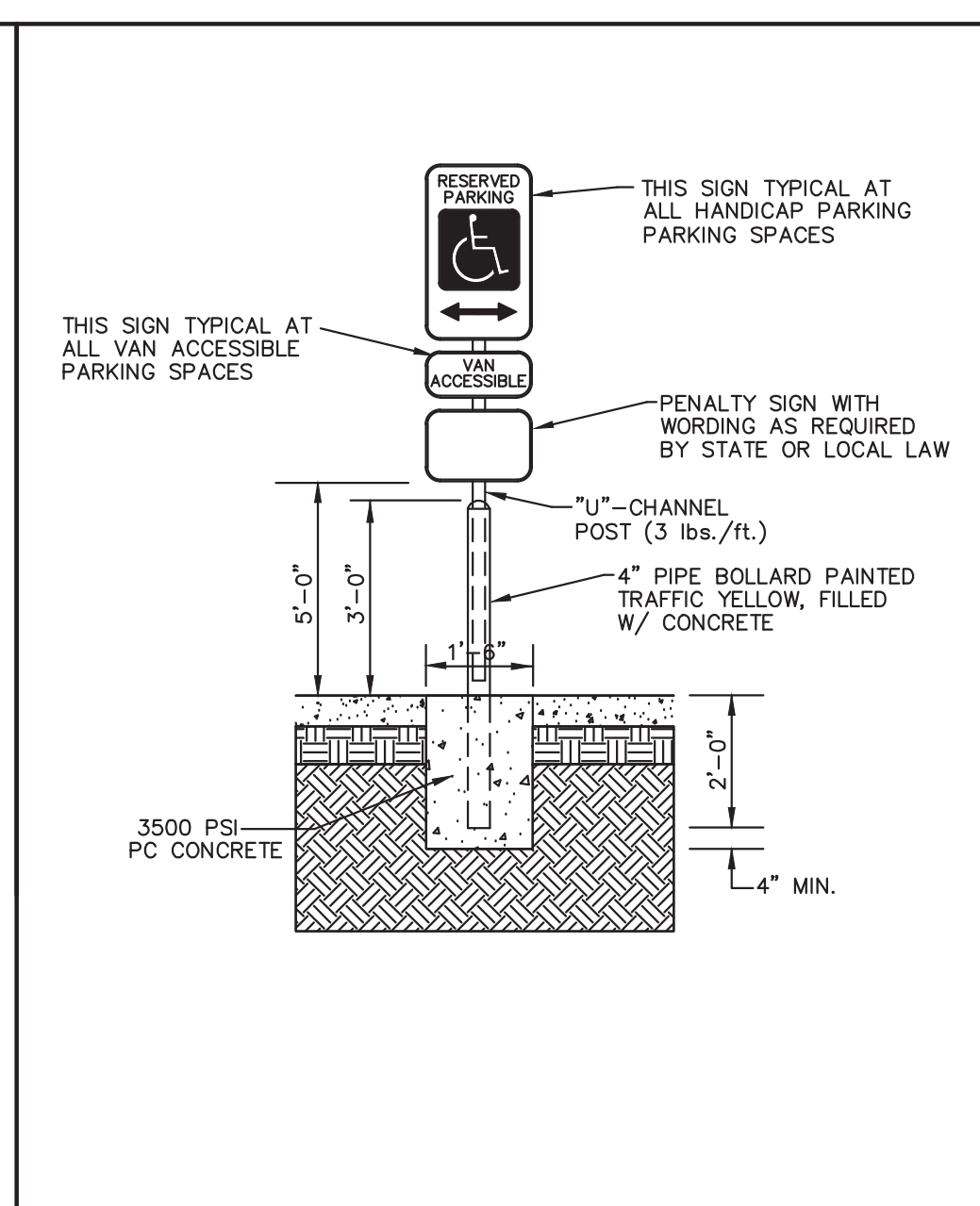
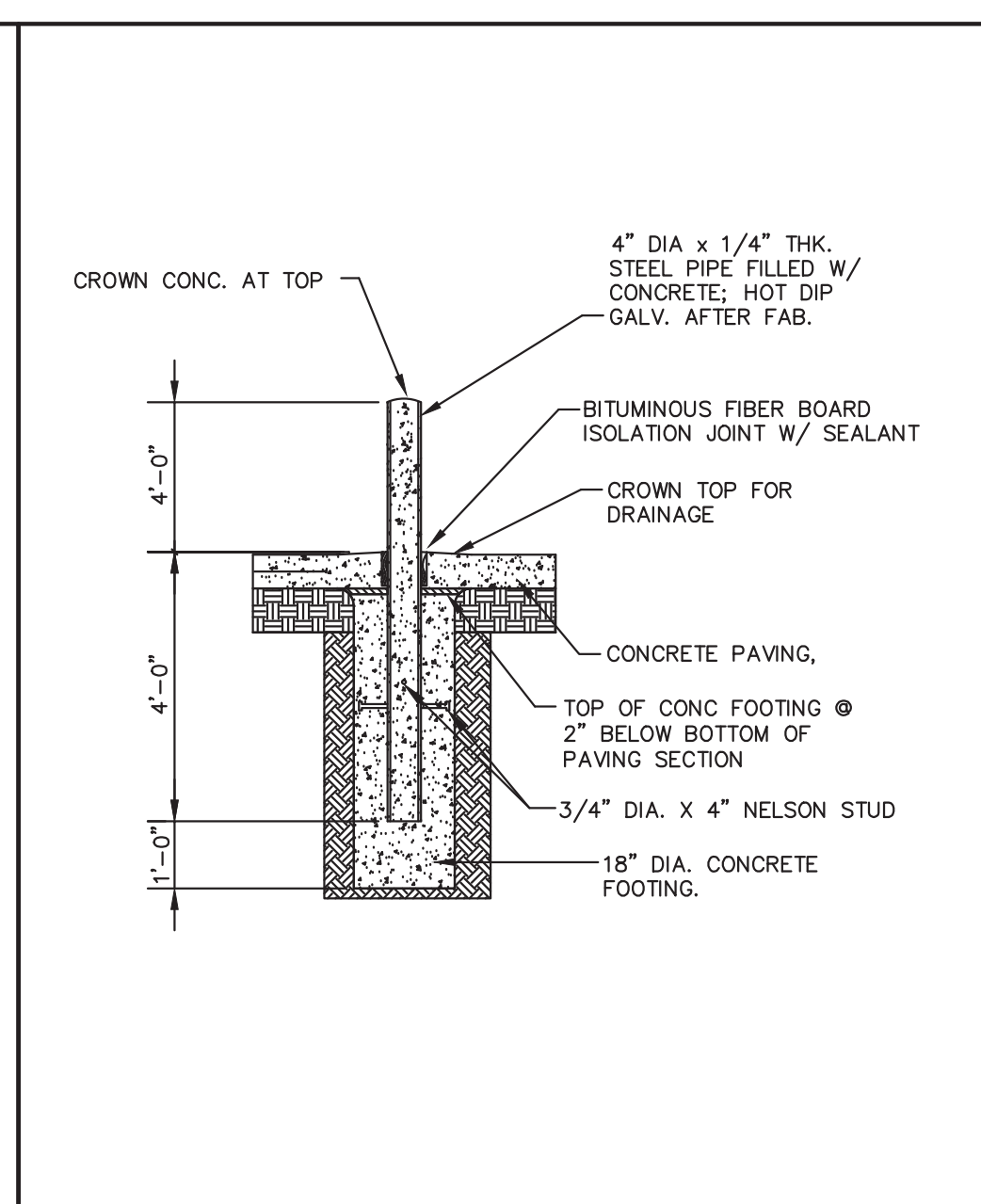


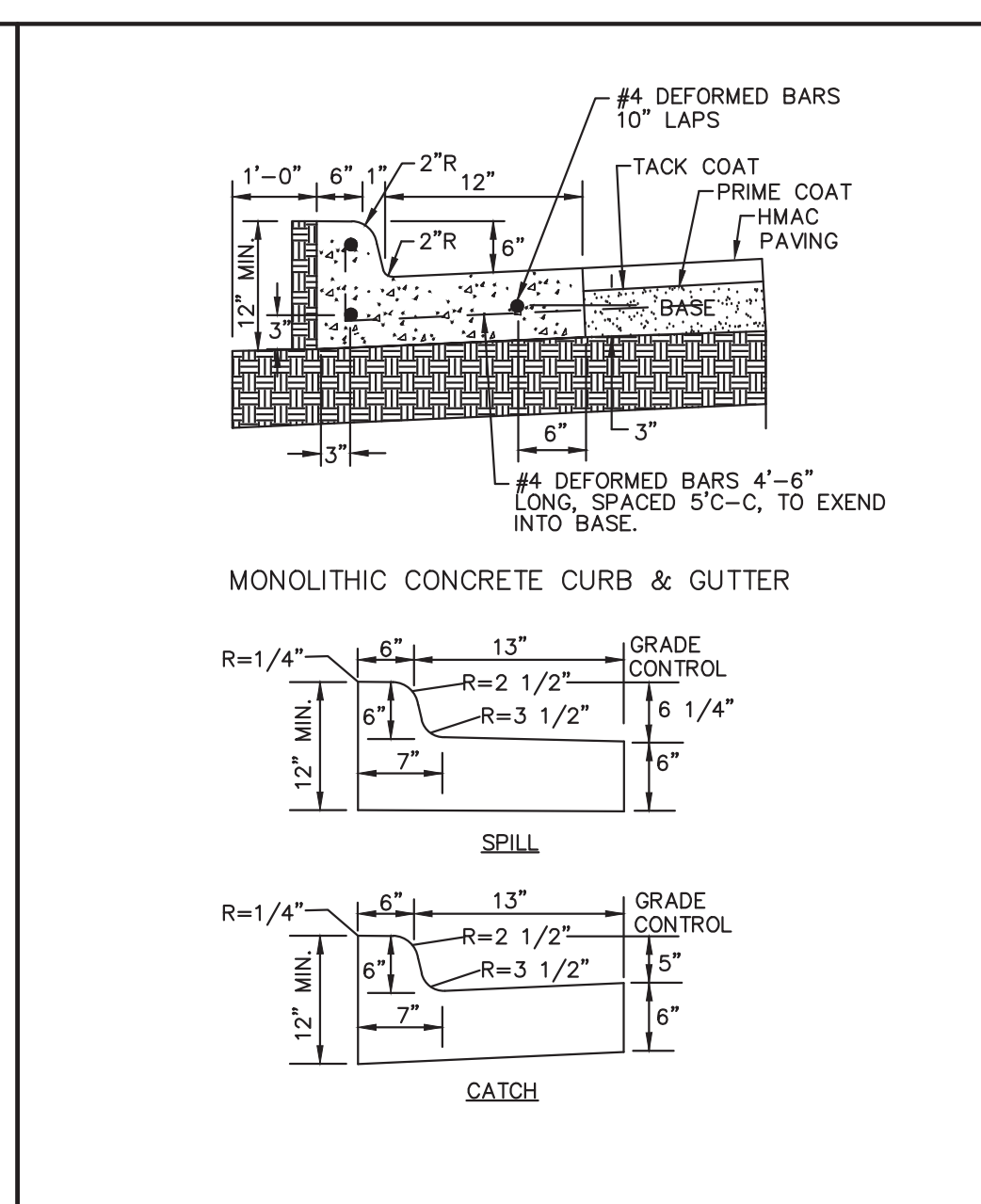
TRAFFIC FLOW ARROW No. 104



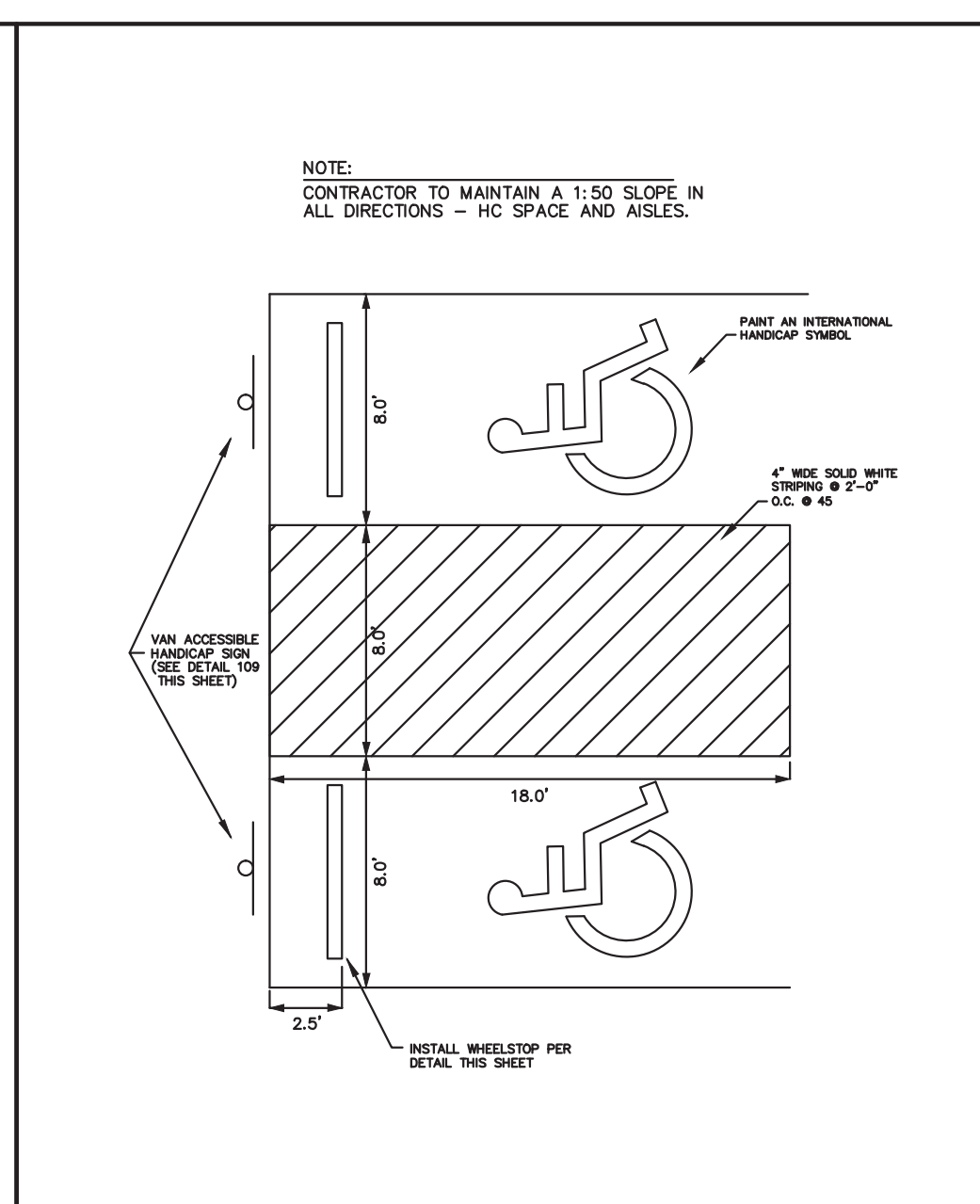
HANDICAP SIGN ASSEMBLY No. 109



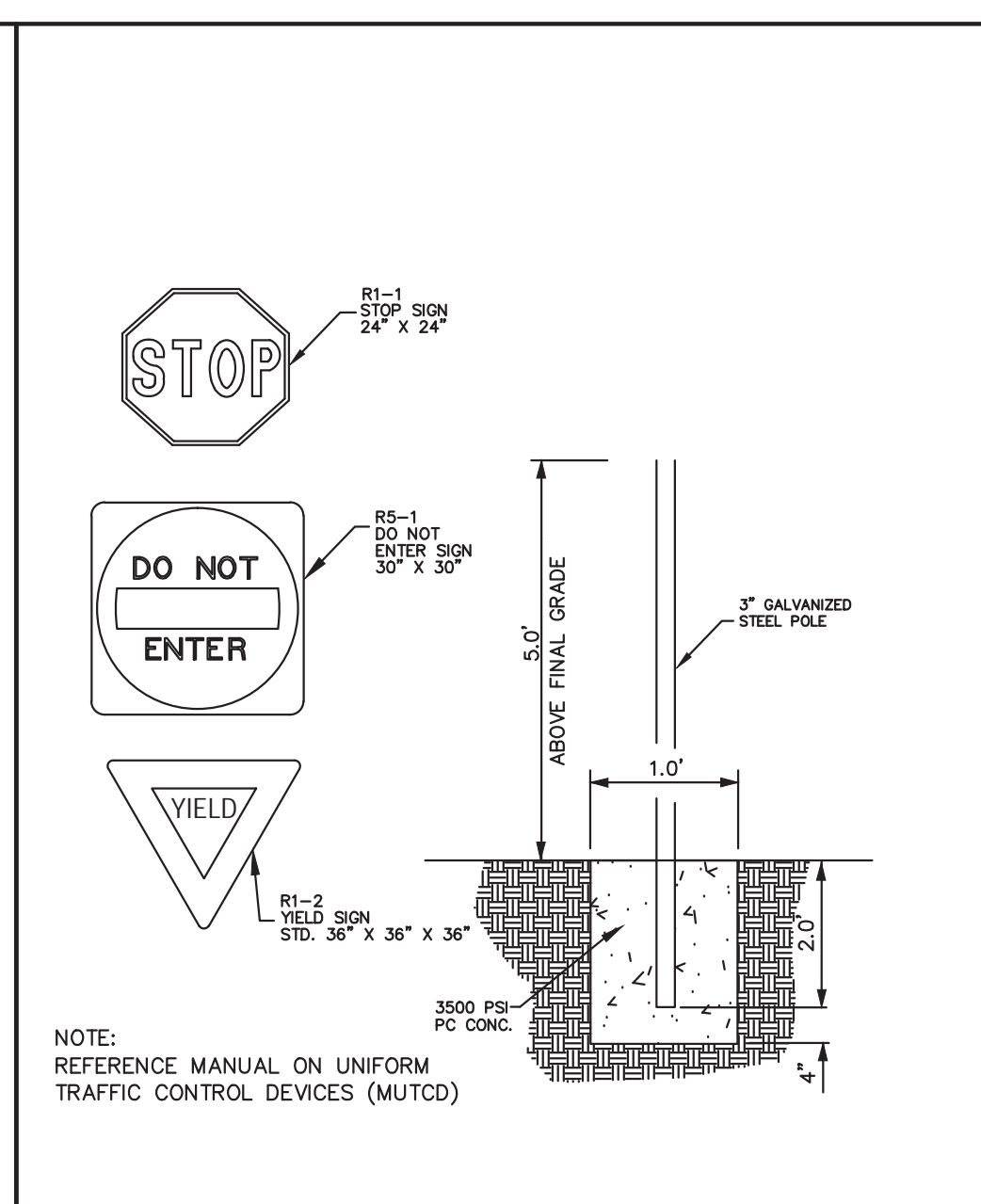
BOLLARD DETAIL No. 115



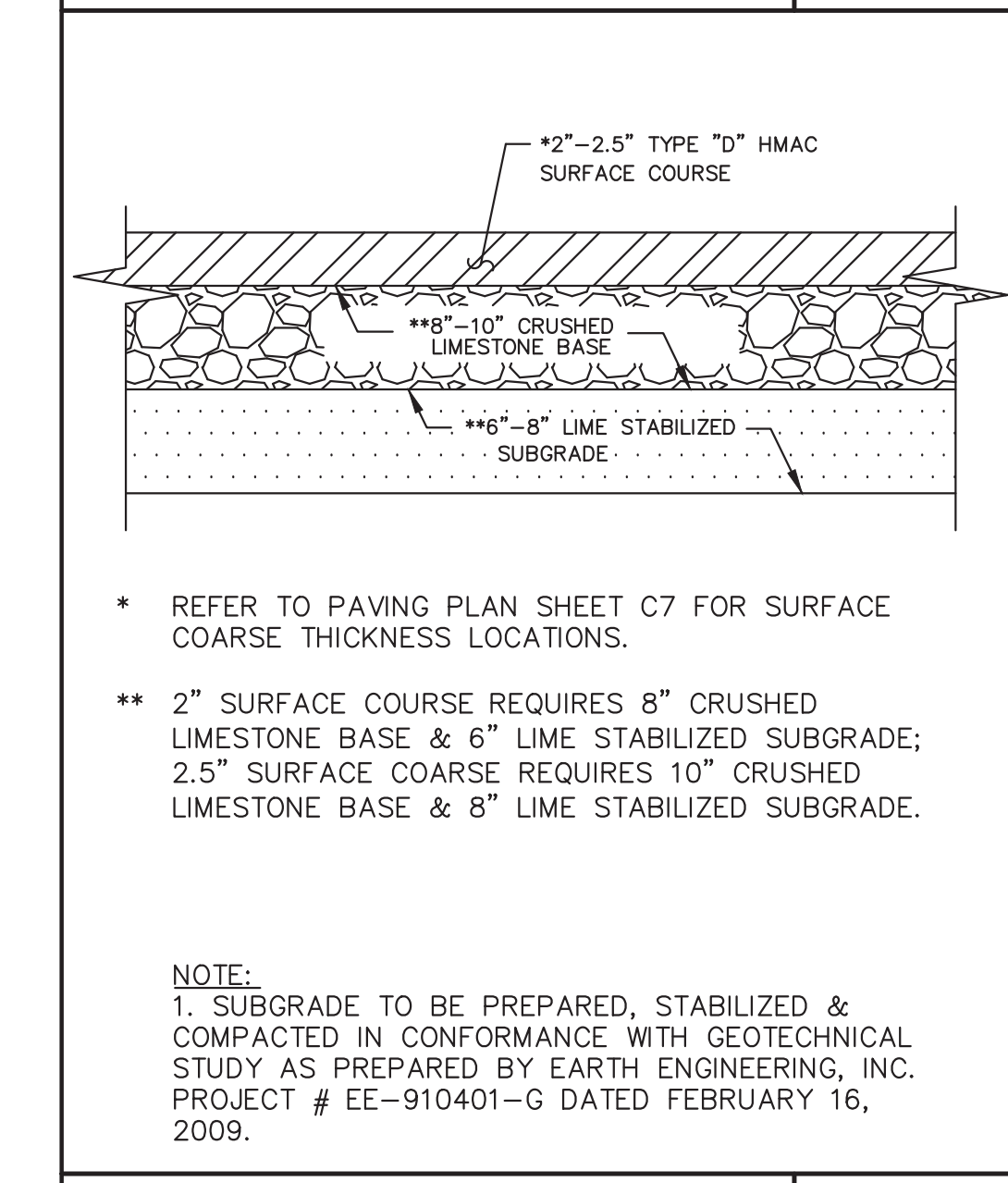
CURB AND GUTTER DETAILS No. 127B



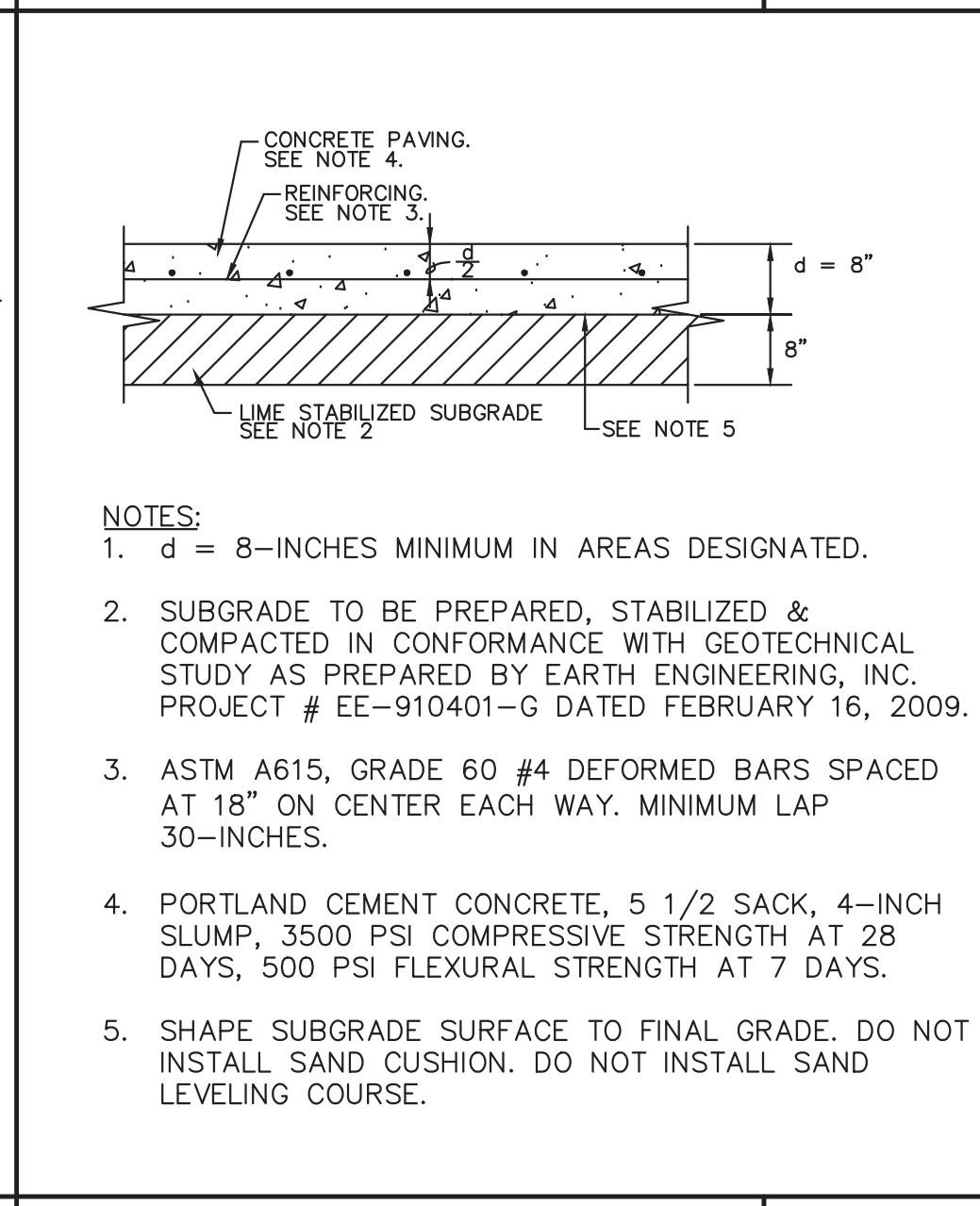
TYPICAL HANDICAP PARKING DETAIL No. 105A



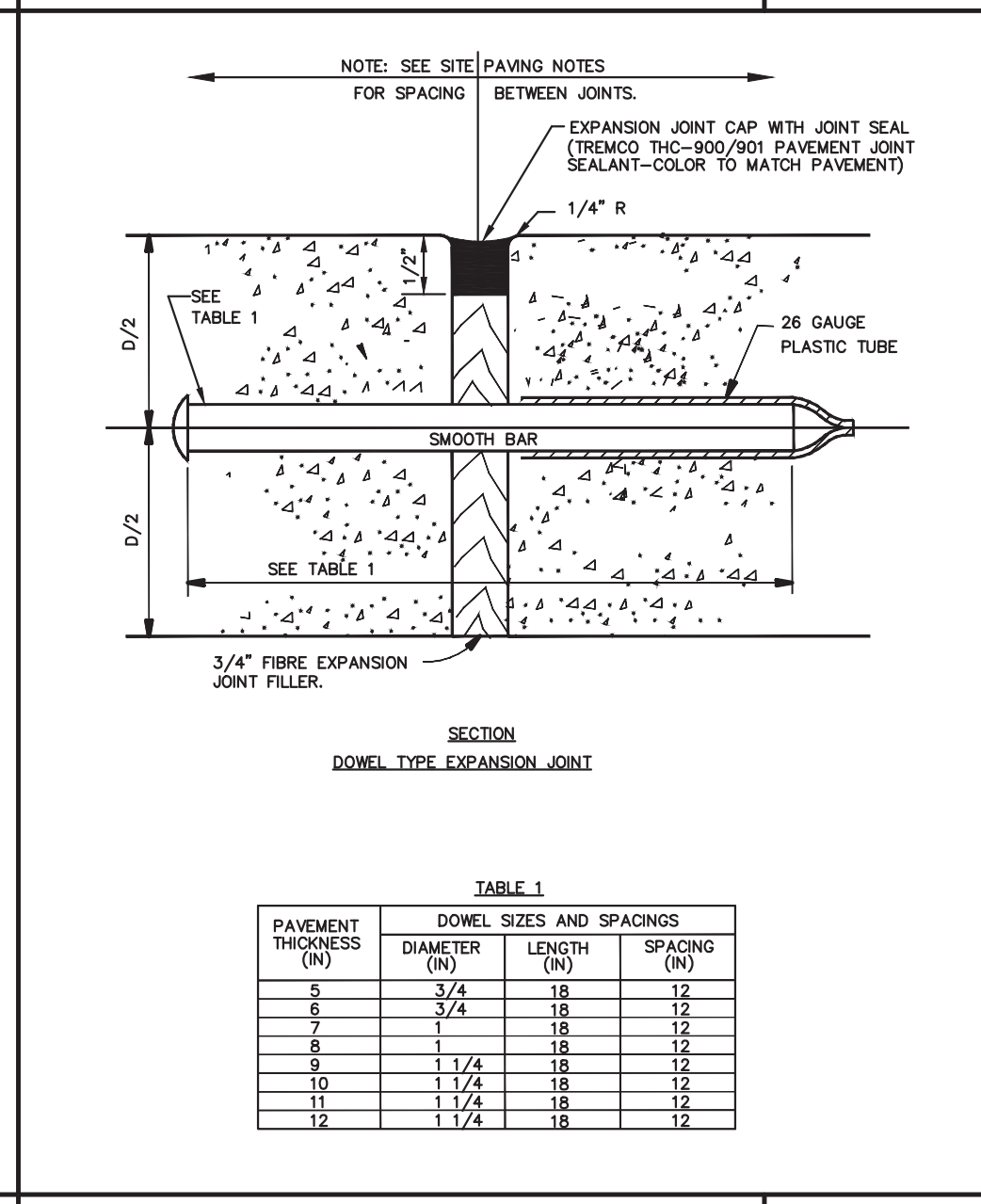
SIGN DETAILS No. 111



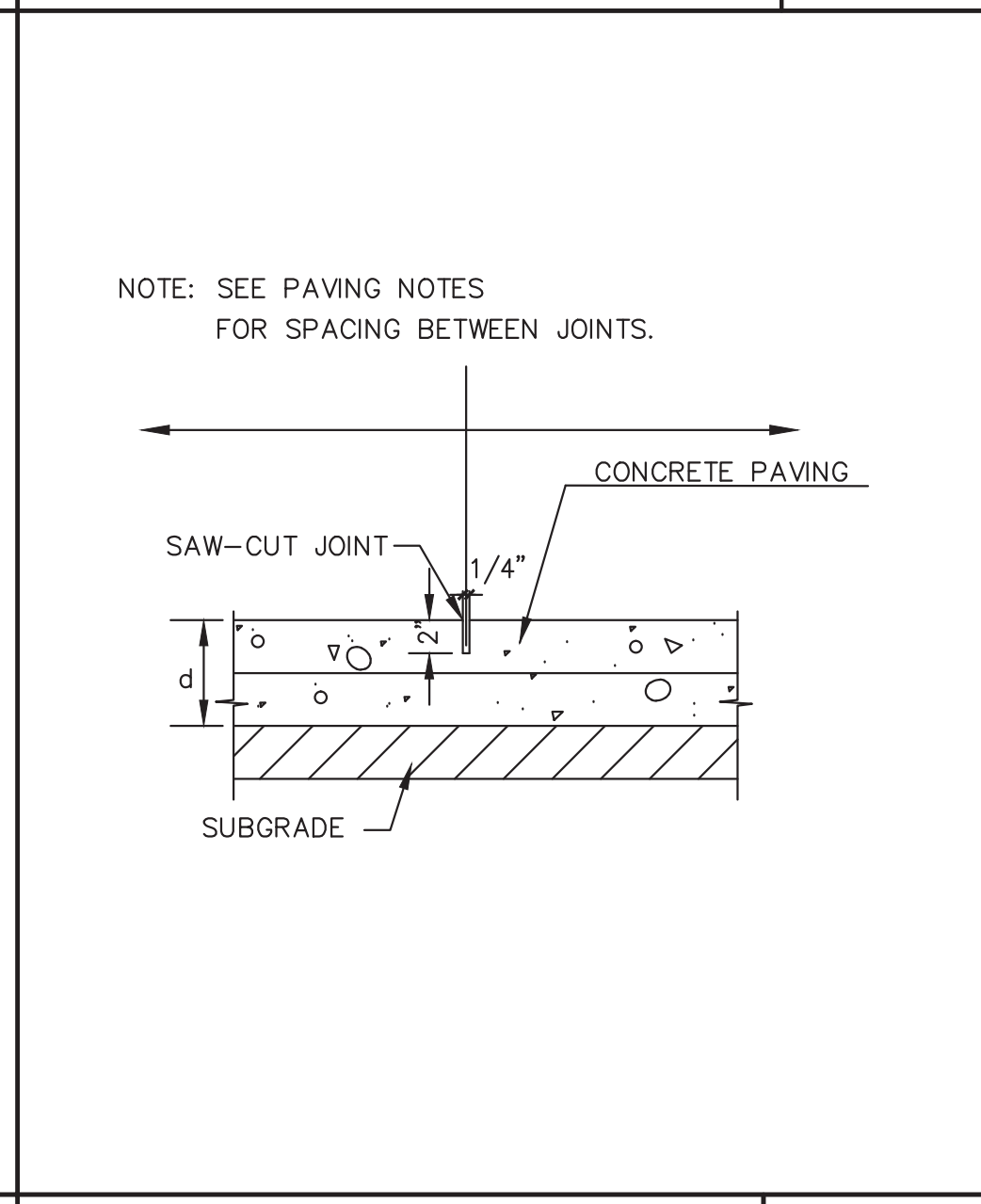
TYPICAL SECTION ASPHALT PAVING No. 129-A



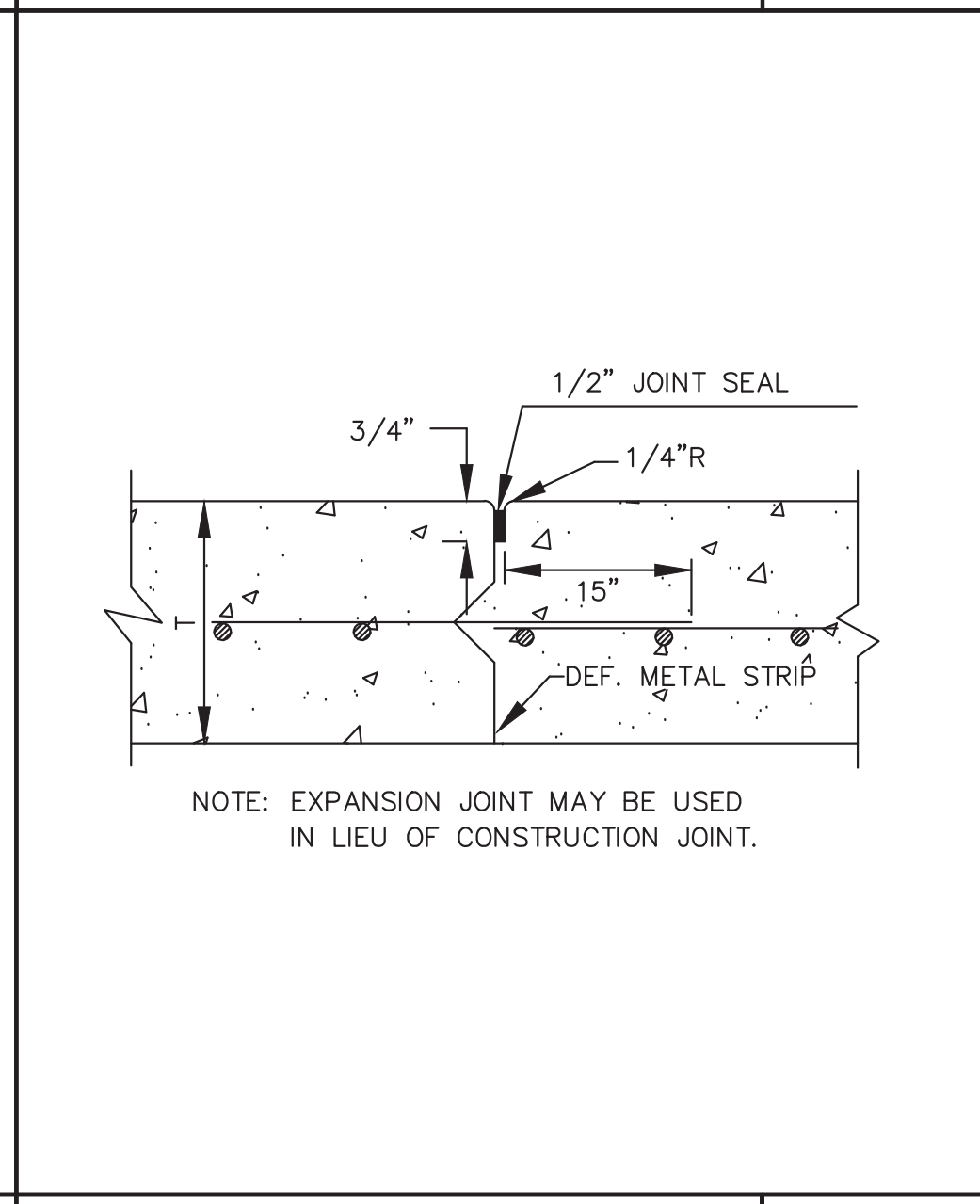
TYPICAL SECTION CONCRETE PAVING No. 129



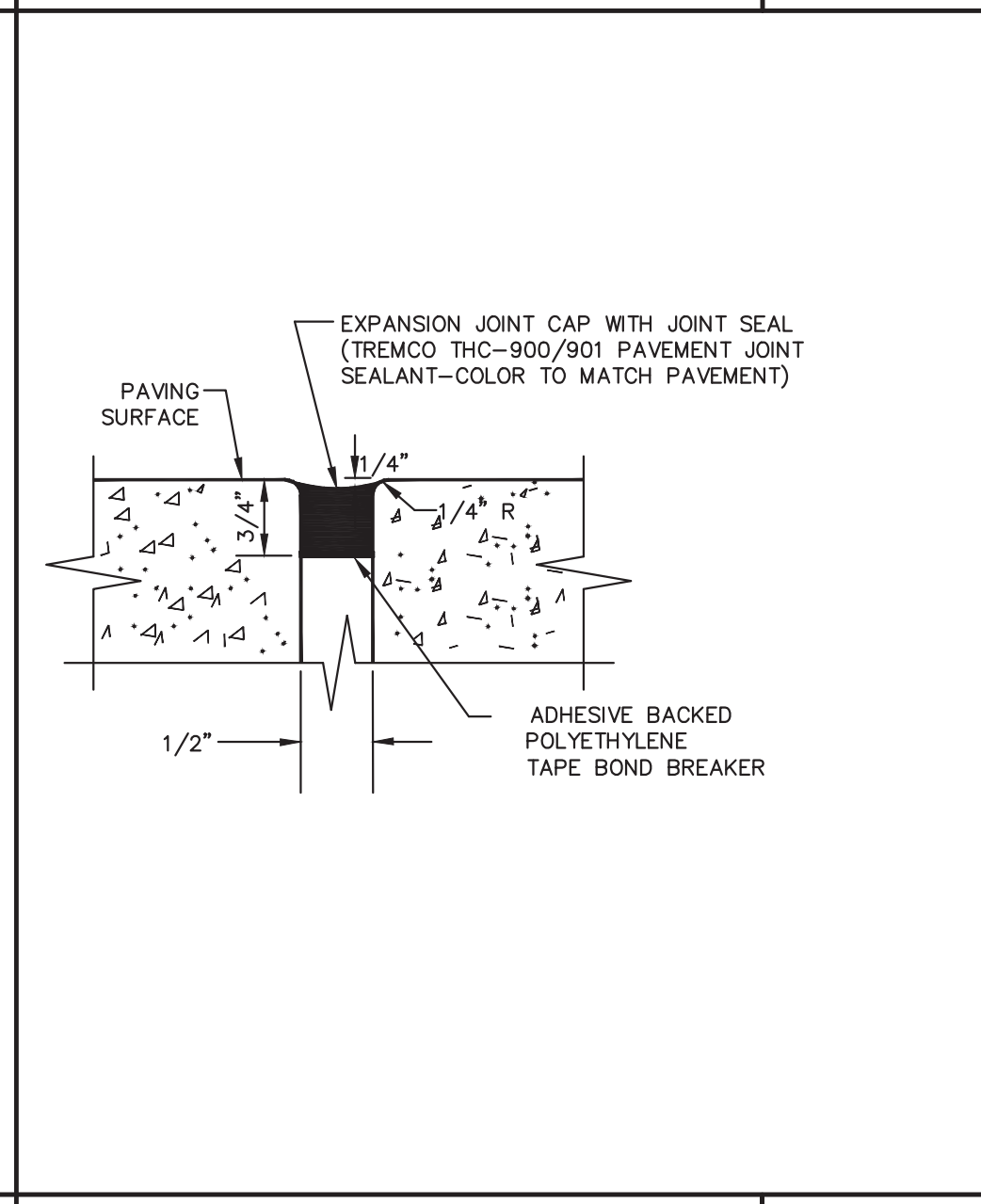
EXPANSION JOINT DETAIL No. 131



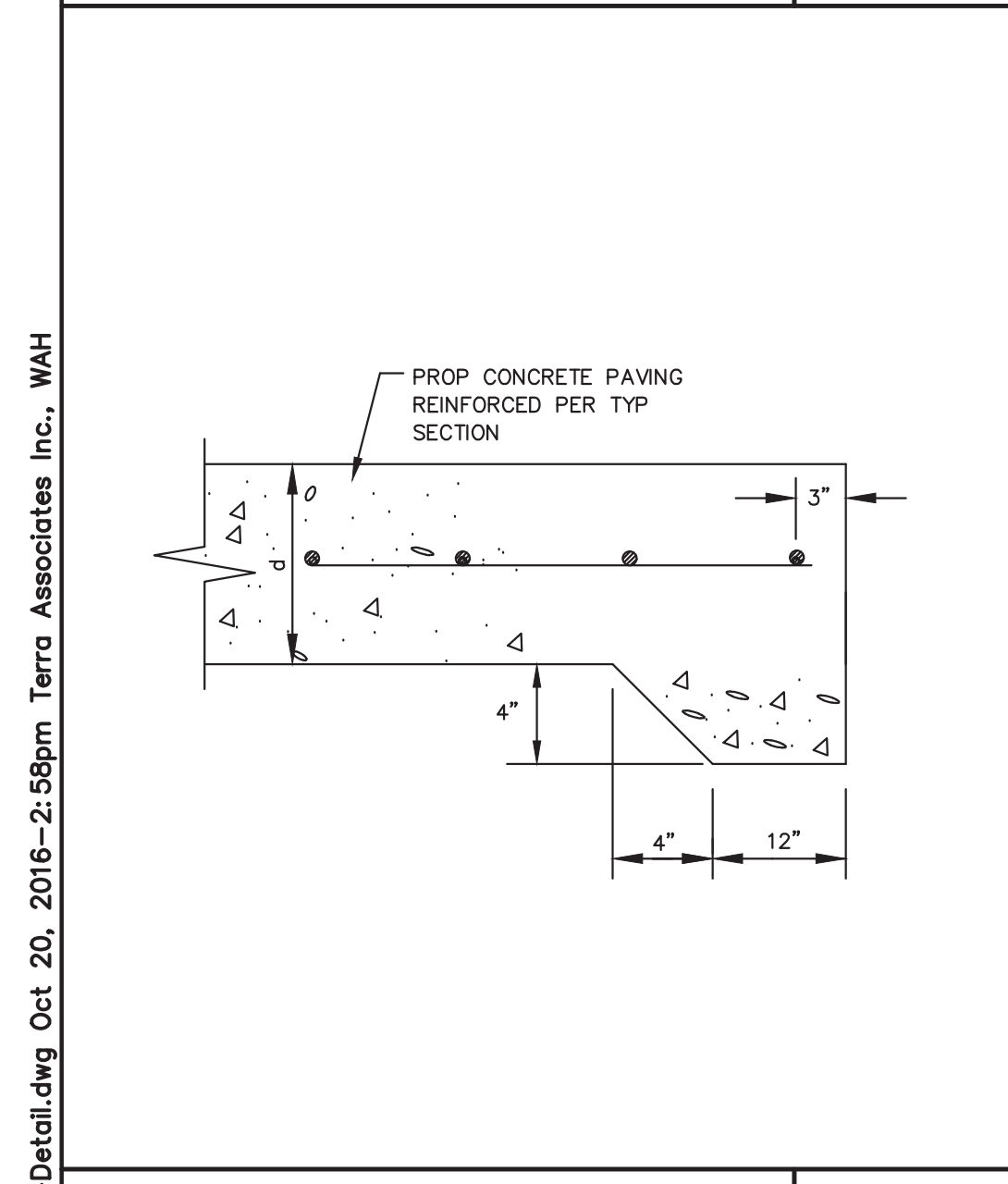
CONCRETE PAVING CRACK CONTROL JOINT No. 132



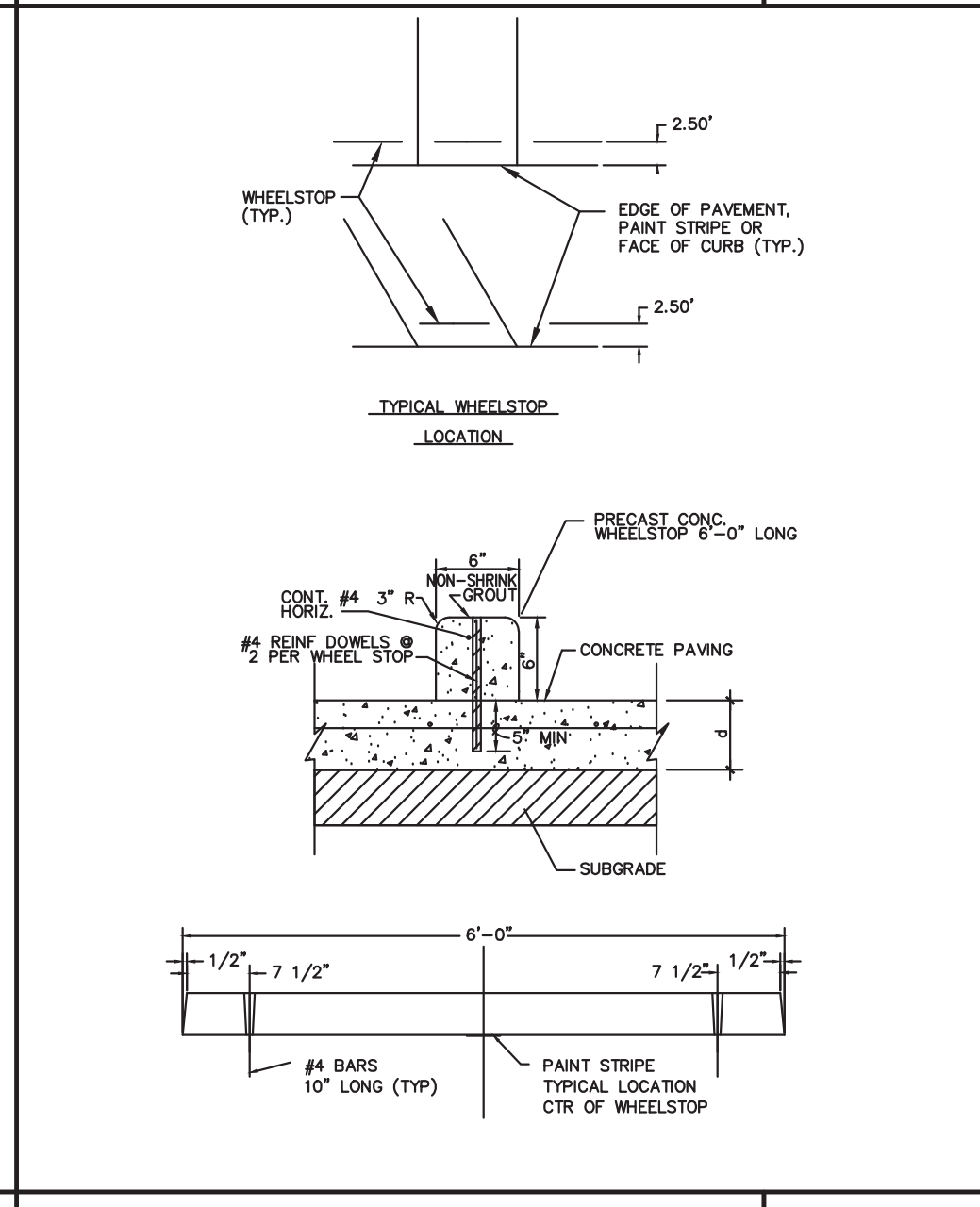
CONCRETE PAVING CONSTRUCTION JOINT No. 133



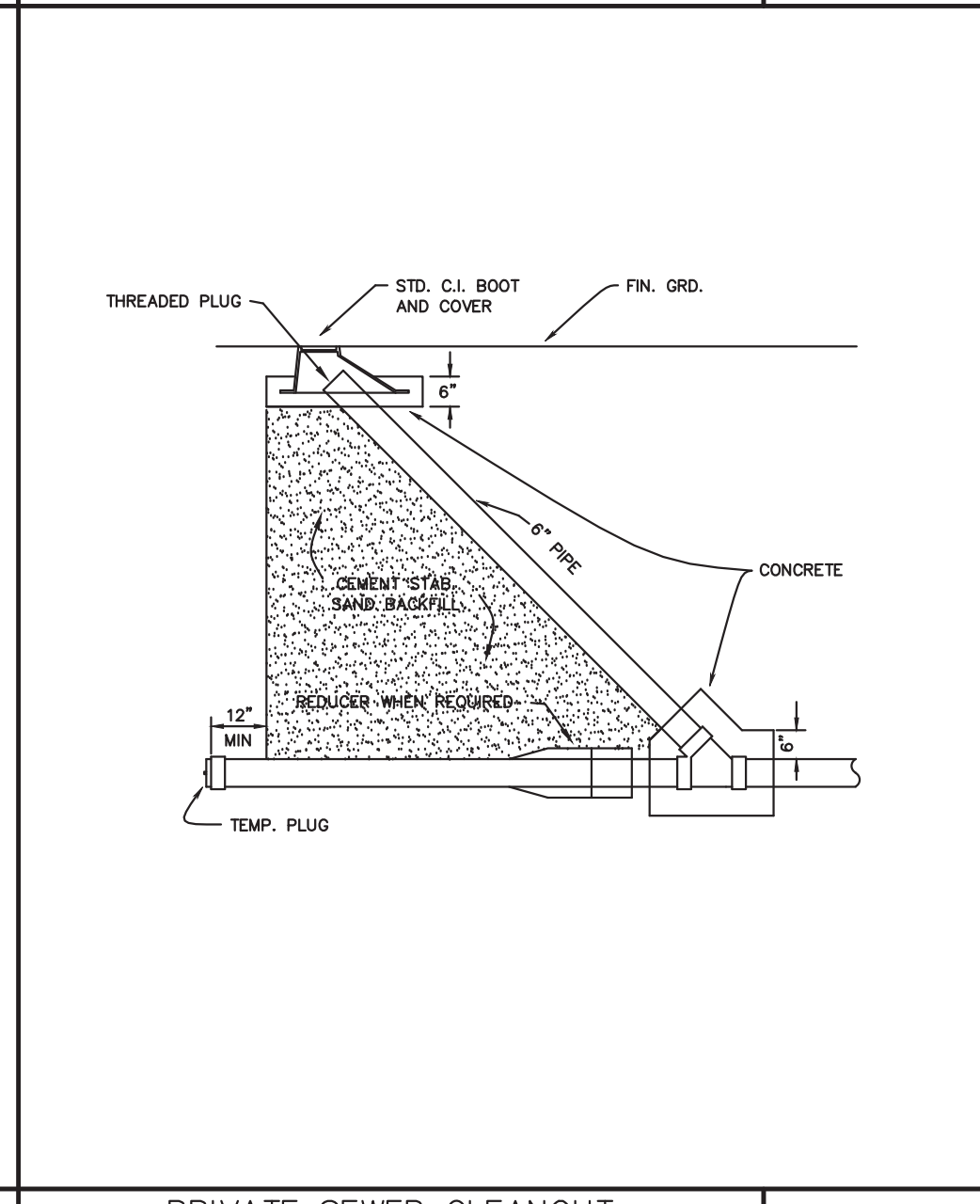
JOINT SEALANT FOR CONC. PAVEMENT No. 134



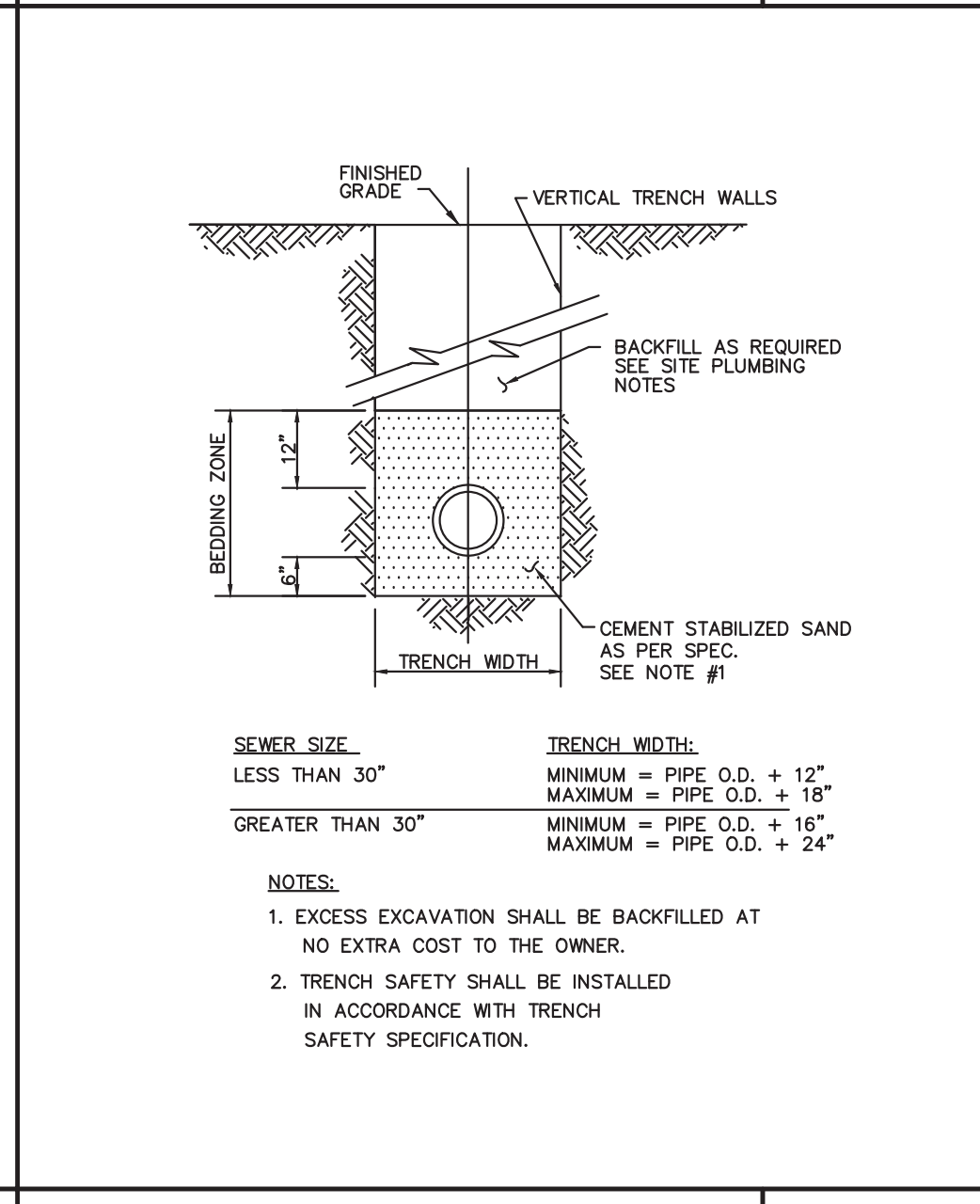
STANDARD PAVING HEADER No. 141



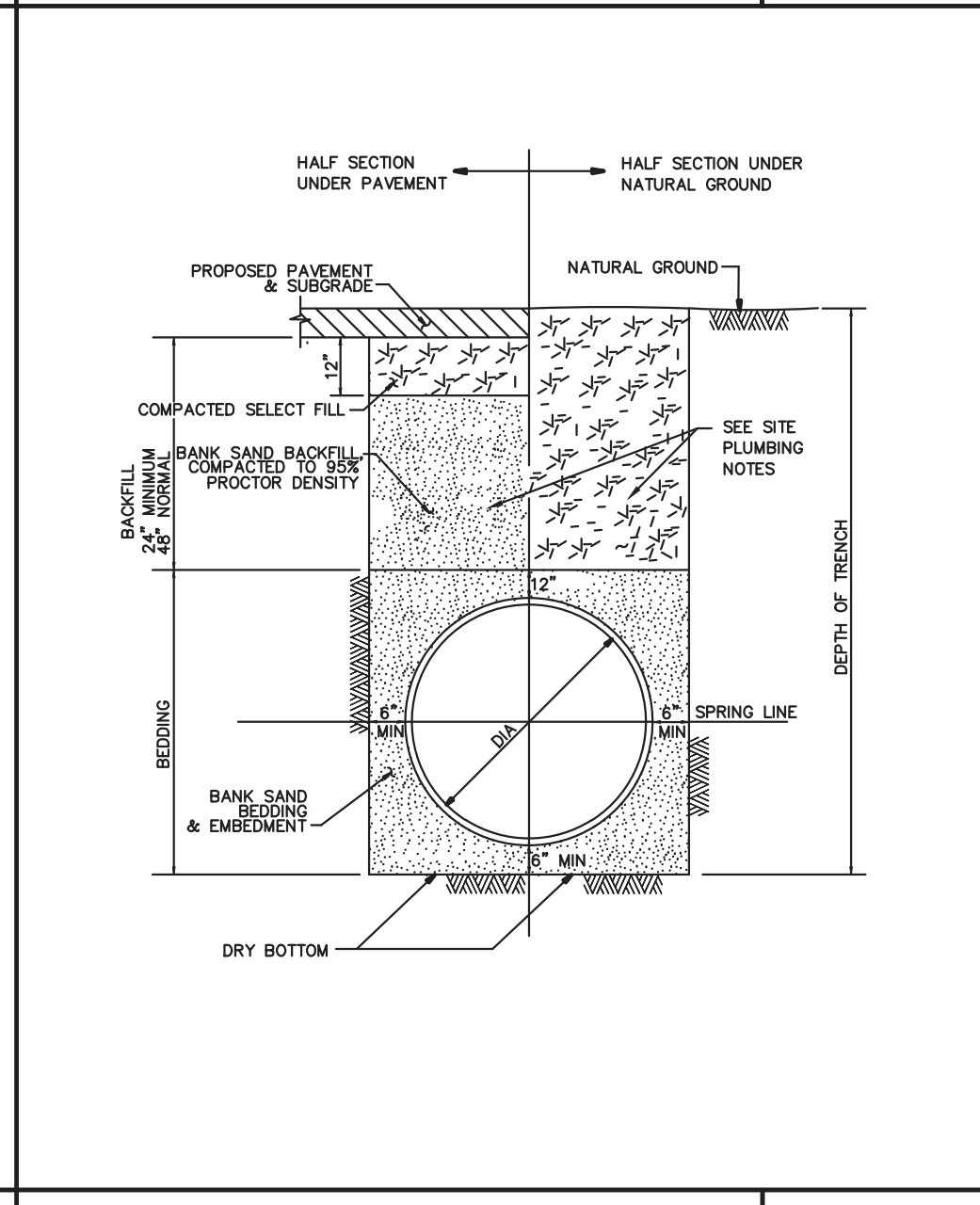
WHEELSTOP DETAIL No. 144



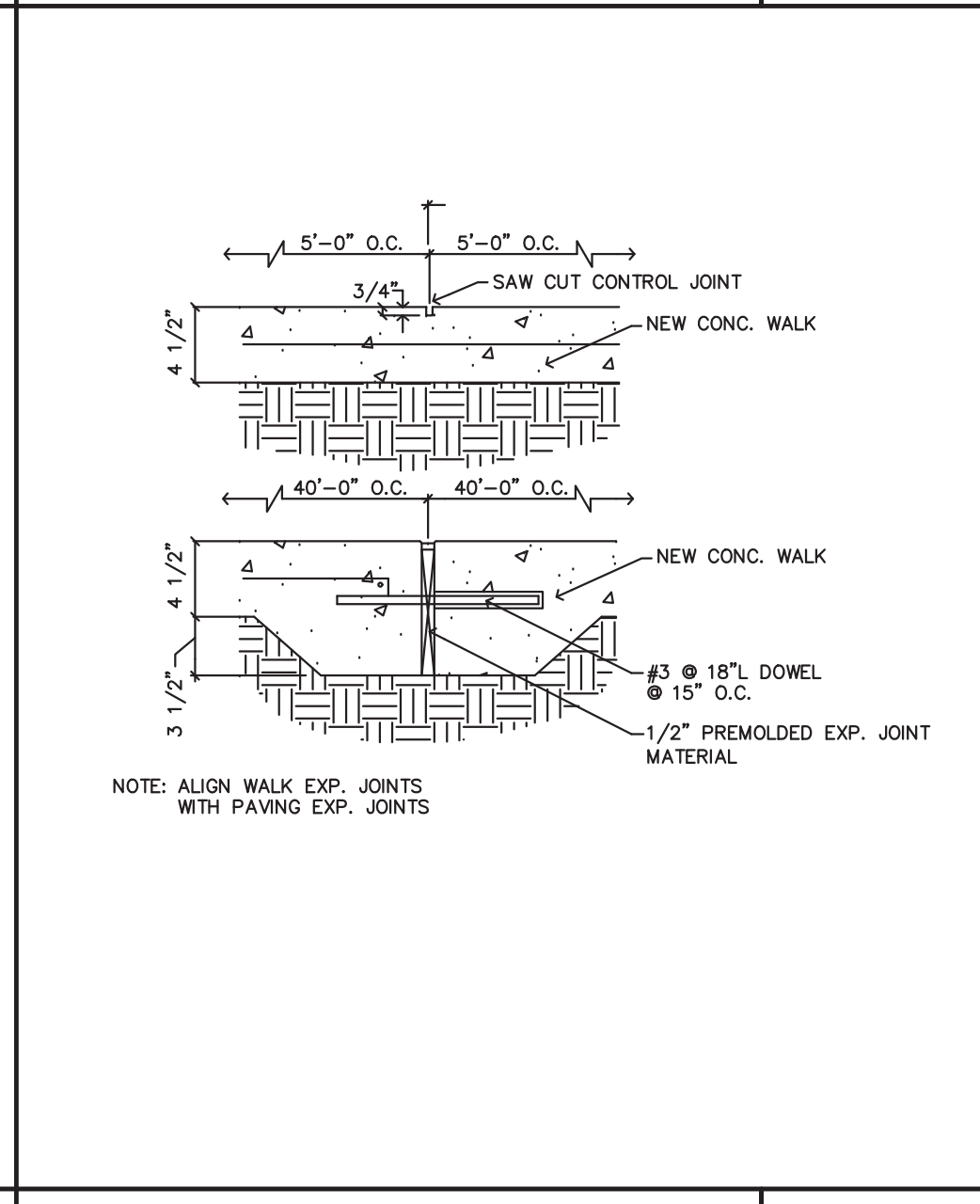
PRIVATE SEWER CLEANOUT SANITARY AND STORM No. 154



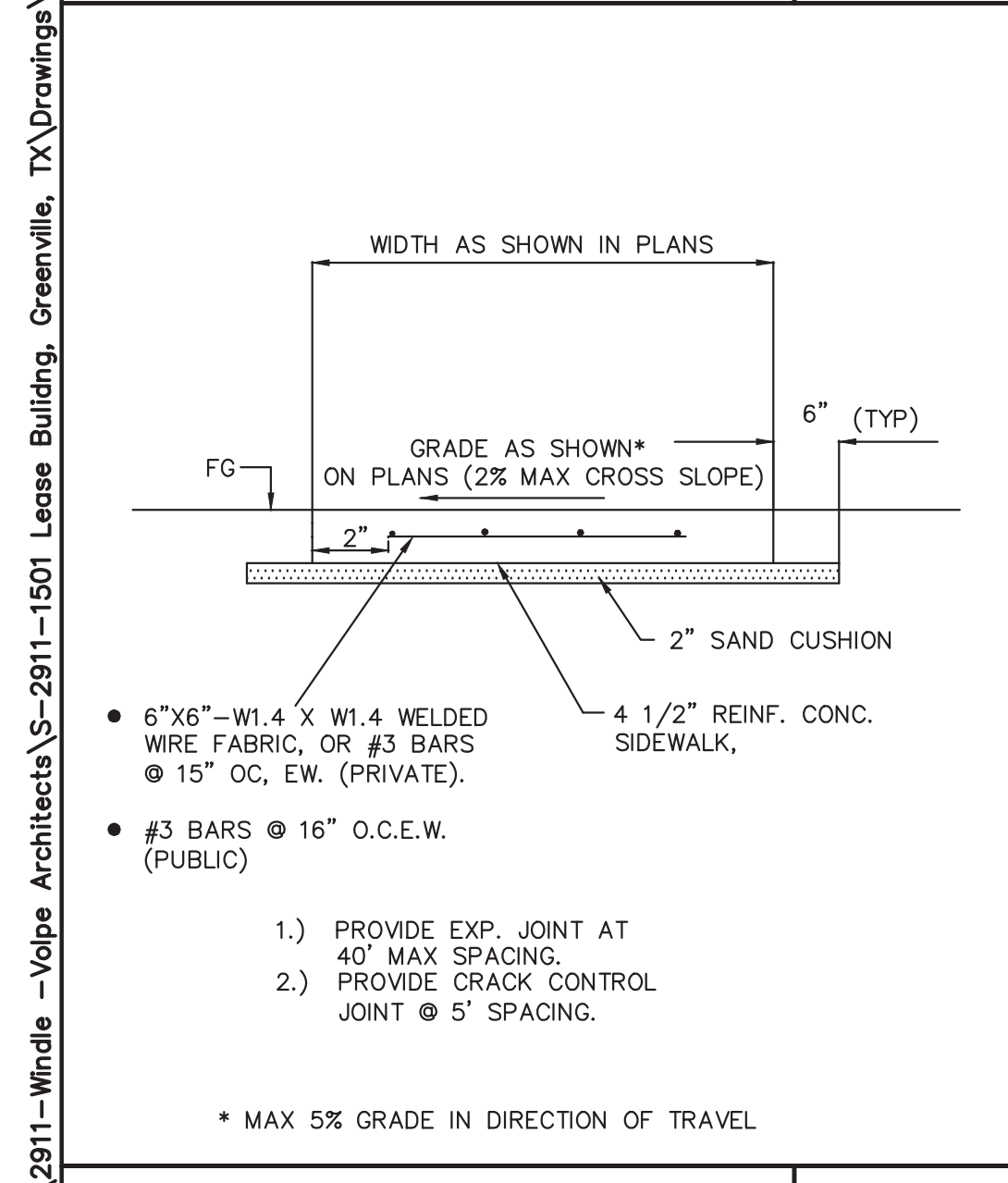
SANITARY SEWER BEDDING AND BACKFILL No. 161



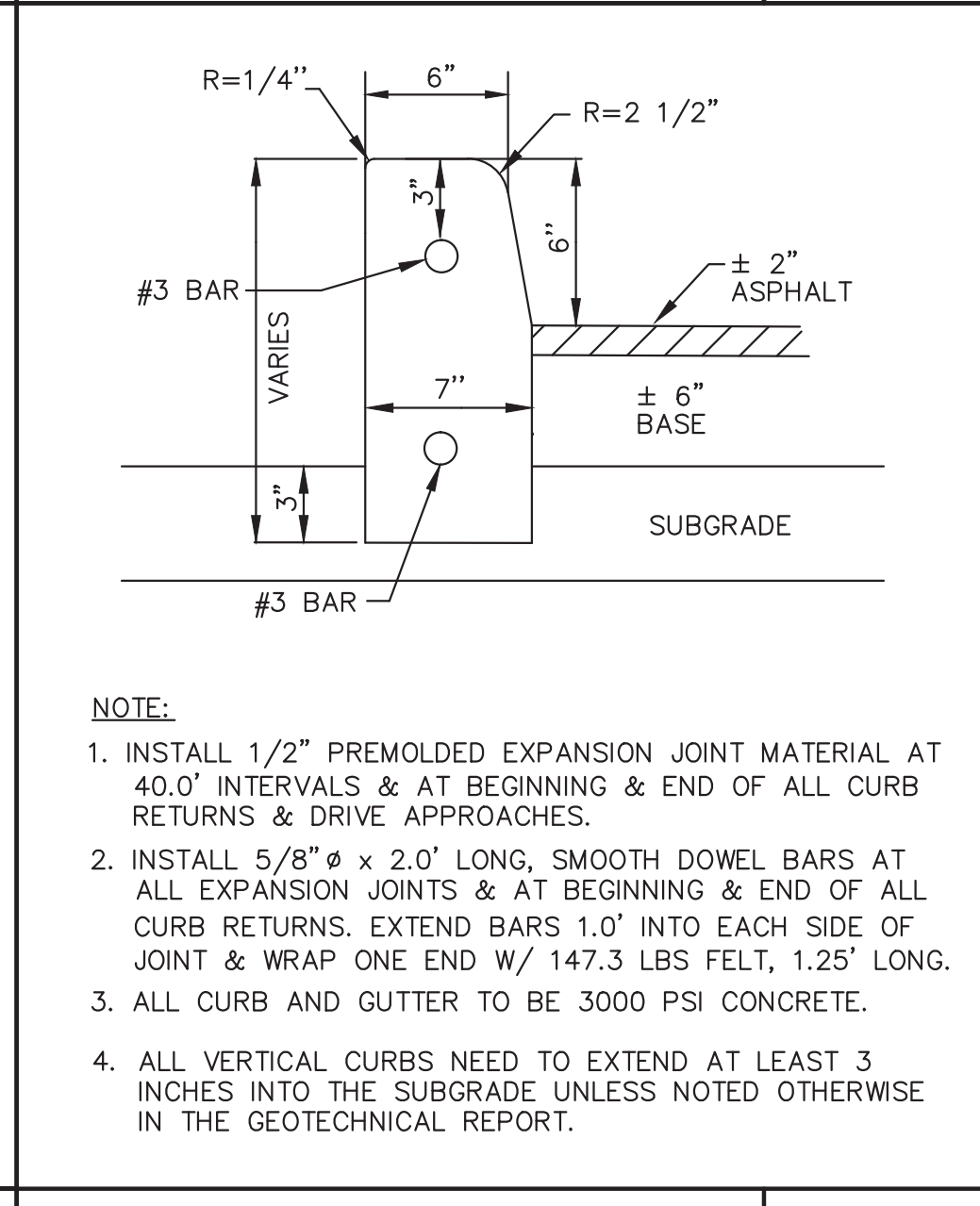
WATERLINE BEDDING AND BACKFILL No. 162



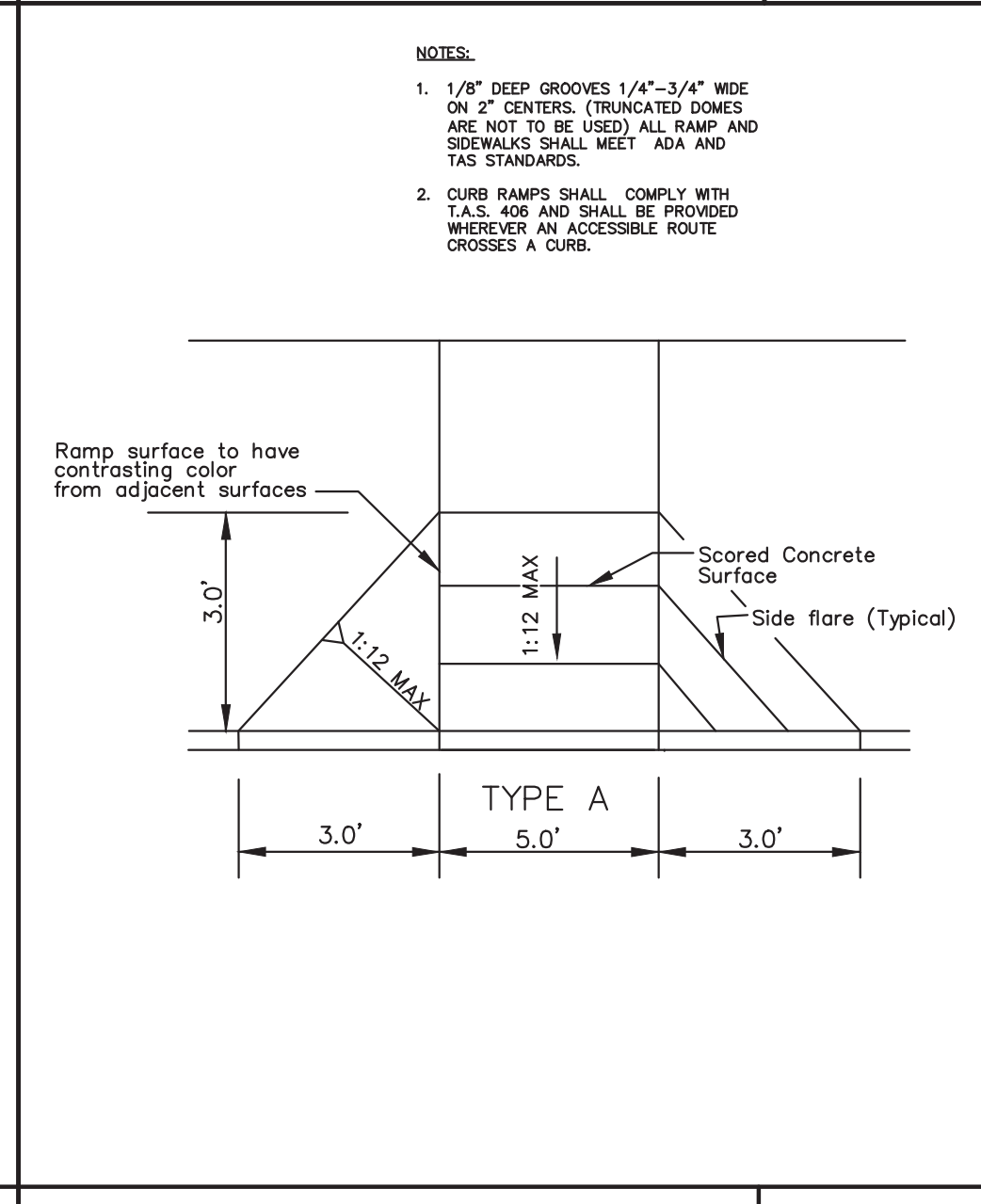
SIDE WALK CONTROL & EXP. JOINT No. 167



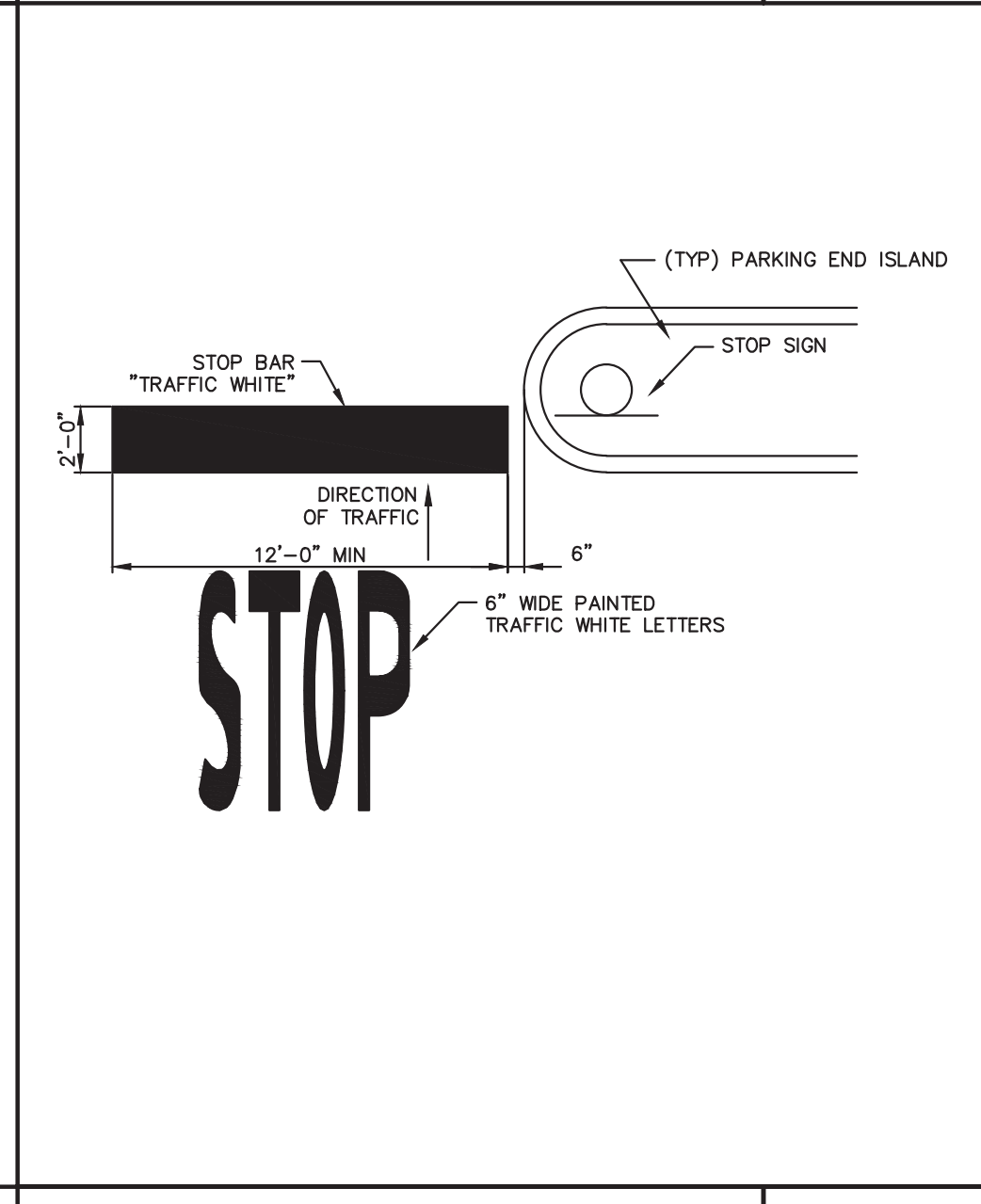
DETAILS FOR ON SITE SIDEWALKS No. 168



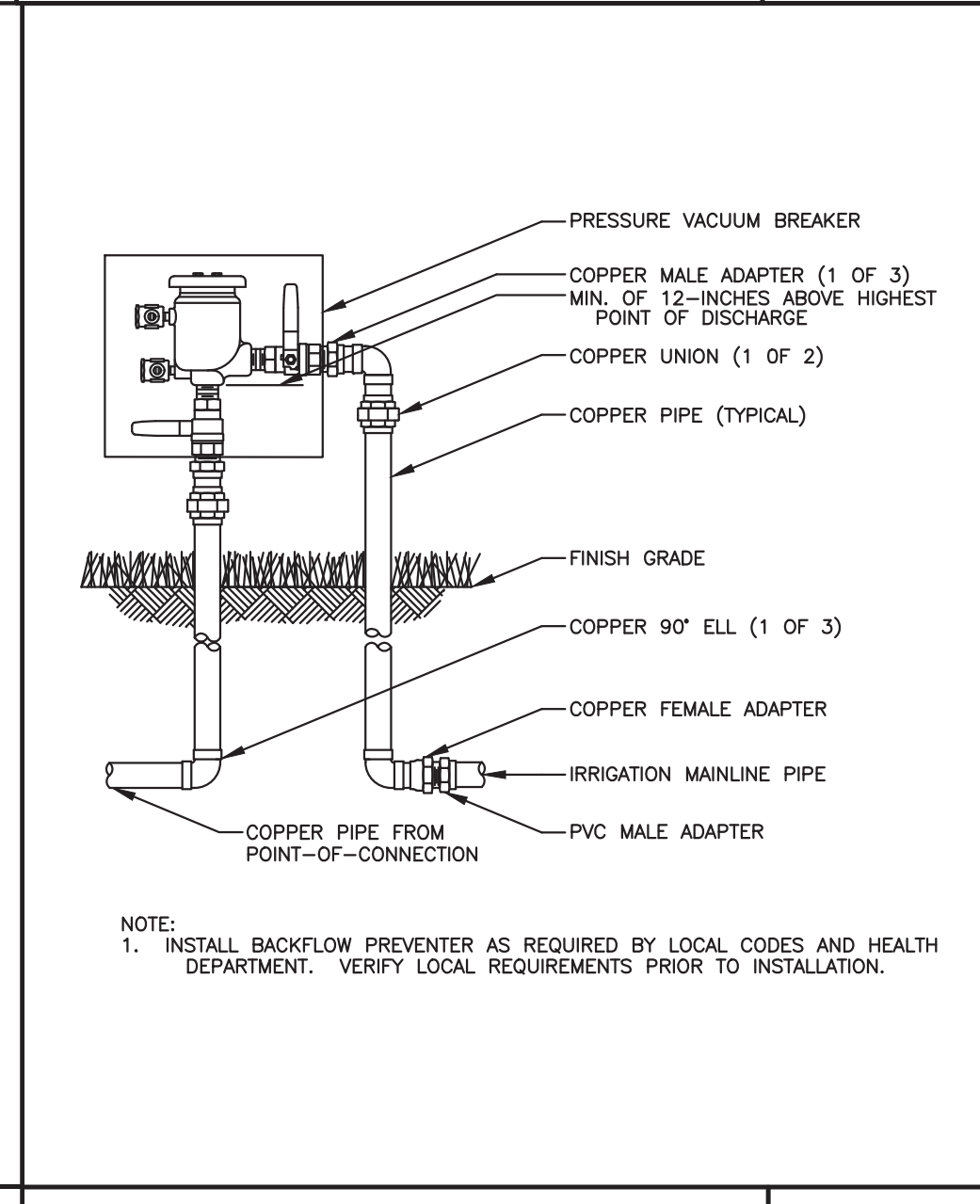
VERTICAL CURB FOR ASPHALT PAVEMENT No. 200



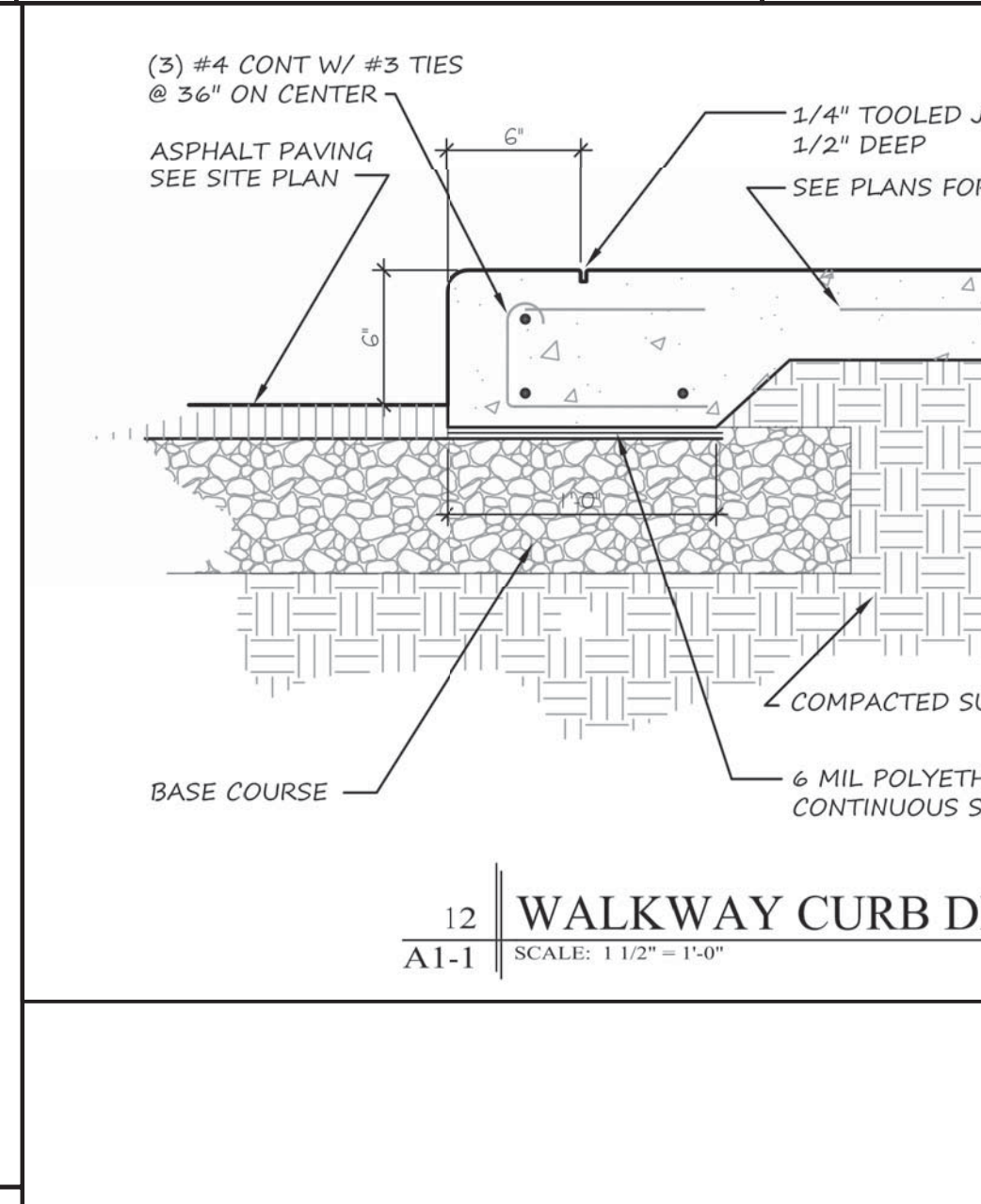
CURB RAMP DETAIL (ON-SITE PRIVATE) No. 201



TYPICAL INTERIOR SITE STOP BAR No. 204



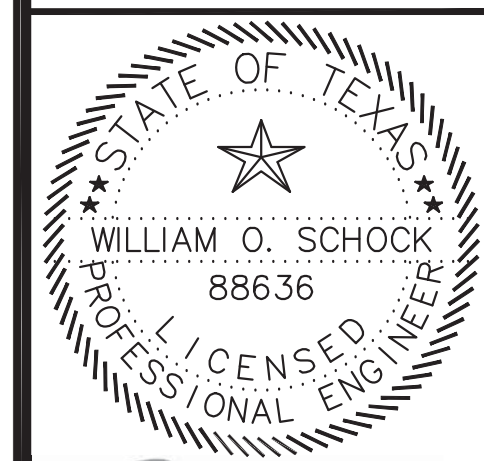
PRESSURE VACUUM BREAKER No. 203



WALKWAY CURB DETAIL No. 167

F:\Clients\2011-Windle -Volpe Architects\C9-Detail.dwg Oct 20, 2016-2:58pm Terra Associates Inc., WAH

WINDLE + VOLPE ARCHITECTS
16000 WINDY HILL
GREENVILLE, TEXAS 77063
PH 713-955-1390



THE SEAL APPEARING ON THIS DOCUMENT WAS AUTHORIZED BY WILLIAM O. SCHOCK, P.E. 88636 ON Oct 20, 2016.

PAD BUILDING AT THE CROSSROADS MALL GREENVILLE, TEXAS
GREENVILLE PROPERTIES LTD.
GREENVILLE, TEXAS

DATE: 4/15/16
PROJECT NO.: 06-14-05
DRAWN BY: JCH

CONSTRUCTION DETAILS

TERRA ASSOCIATES, INC. CONSULTING ENGINEERS
404 E. RAMSEY RD., STE. 104
SAN ANTONIO, TEXAS 78216
PHONE: 210-298-1600
EMAIL: BOC@terraassoc.com
TBPE Registration No.: F-003832