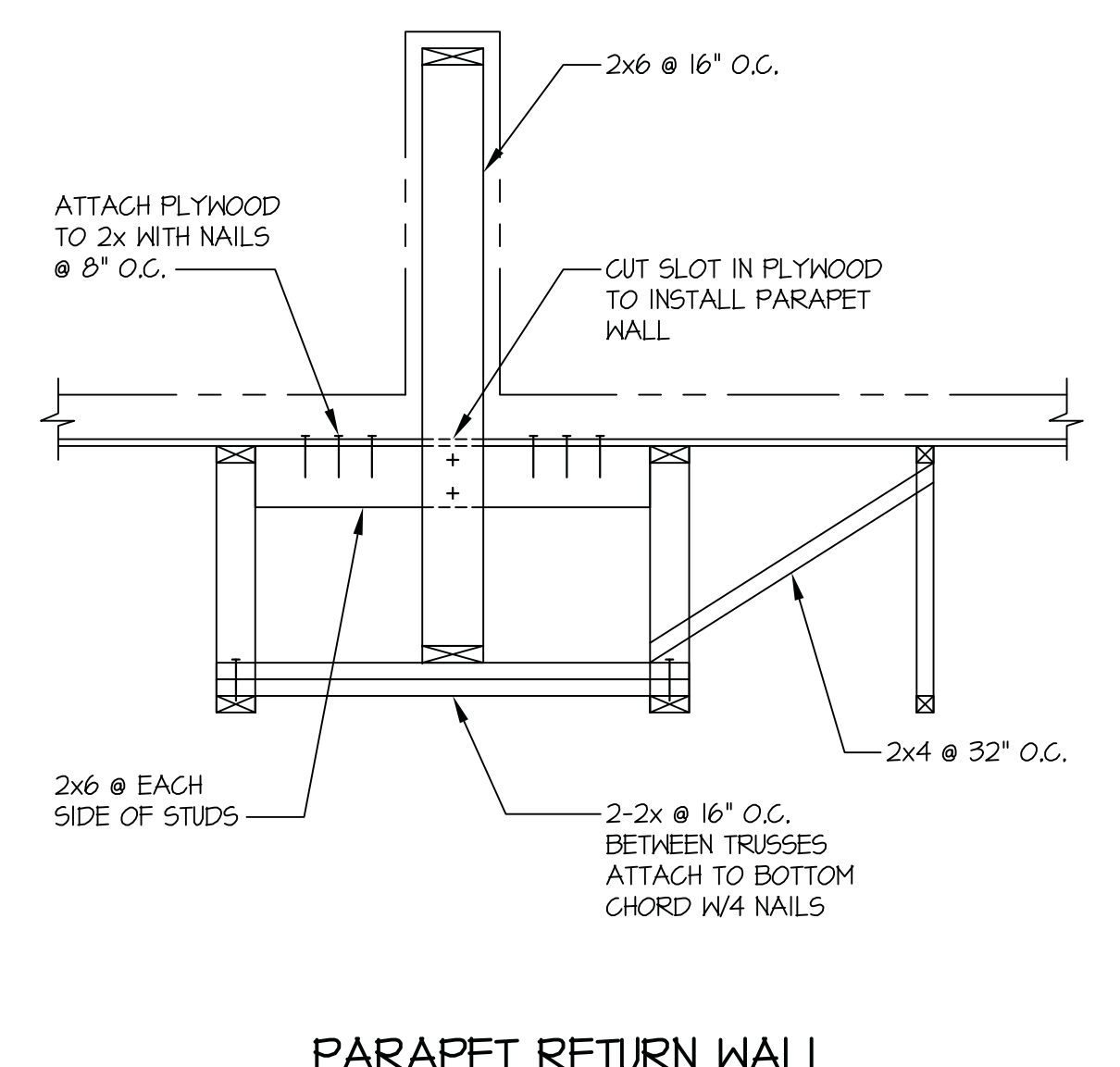


**TABLE 2304.1
FASTENING SCHEDULE**

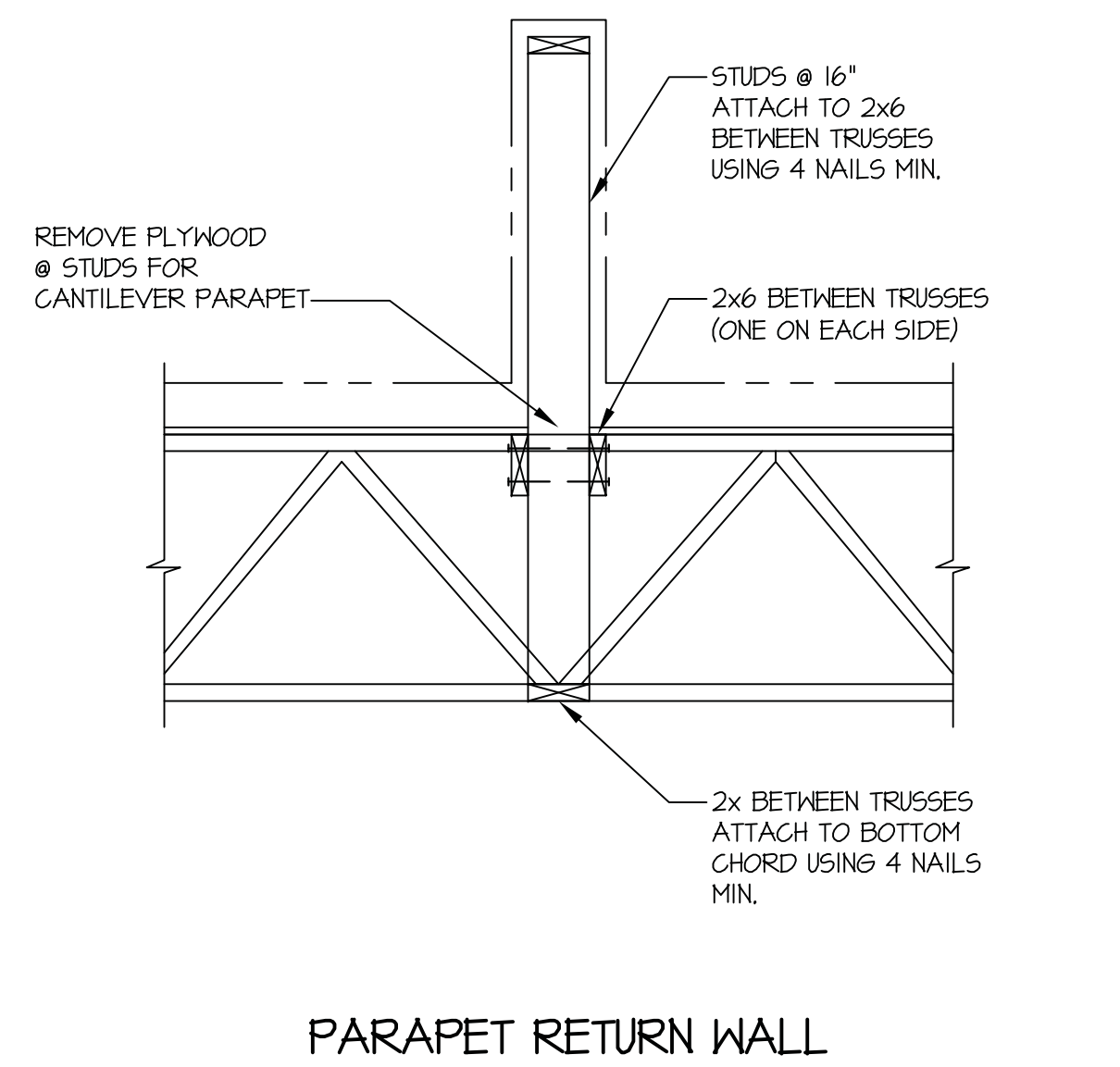
CONNECTION	FASTENER ^{a,m}	LOCATION
1. Joint to sill or girder	3 - 8d common (2) x 0.1317) 3 - 3" x 0.131" nails 3 - 3" 14 gage staples	lozenge
2. Bridging to joint	2 - 8d common (2) x 0.1317) 2 - 3" x 0.131" nails 2 - 3" 14 gage staples	lozenge each end
3. 1" x 6" sheetrock or less to each joint	2 - 8d common (2) x 0.1317)	face nail
4. Hider than 1" x 6" sheetrock to each joint	3 - 8d common (2) x 0.1317)	face nail
5. 2" sheetrock to joint or girder	2 - 8d common (2) x 0.1317)	blind and face nail
6. Sole plate to joint or blocking Sole plate to joint or blocking at braced wall panel	16d (2) x 0.1317) at 8" o.c. 3" x 0.131" nail at 3" o.c. 3" 14 gage staples at 12" o.c. 3" - 8d (2) x 0.1317) at 16" 4 - 3" x 0.131" nails at 16" 4 - 3" 14 gage staples at 16"	typical face nail braced wall panel
7. Top plate to stud	2 - 8d common (2) x 0.1317) 2 - 3" x 0.131" nails 3 - 3" 14 gage staples	end nail
8. Stud to sole plate	4 - 8d (2) x 0.1317) 4 - 3" x 0.131" nails 3 - 3" 14 gage staples 2 - 8d common (2) x 0.1317) 5 x 0.131" nails 3 - 3" 14 gage staples	lozenge end nail
9. Double studs	16d (2) x 0.1317) at 24" o.c. 3" x 0.131" nail at 8" o.c. 3" 14 gage staples at 12" o.c.	face nail
10. Double top plates Double top plates	16d (2) x 0.1317) at 8" o.c. 3" x 0.131" nail at 12" o.c. 3" 14 gage staples at 12" o.c. 6 - 8d common (2) x 0.1317) 12 - 3" x 0.131" nails 12 - 3" 14 gage staples	typical face nail top splice
11. Blocking between joists or rafters to top plate	3 - 8d common (2) x 0.1317) 3 - 3" x 0.131" nails 3 - 3" 14 gage staples	lozenge
12. Rim joint to top plate	8d (2) x 0.1317) at 6" o.c. 3" x 0.131" nails at 6" o.c. 3" 14 gage staples	lozenge
13. Top plates, laps and intersections	2 - 8d common (2) x 0.1317) 3 - 3" x 0.131" nails 3 - 3" 14 gage staples	face nail
14. Continous header, lap piece	16d common (2) x 0.1317)	8" o.c. along edge
15. Ceiling joist to plate	3 - 8d common (2) x 0.1317) 3 - 3" x 0.131" nails 3 - 3" 14 gage staples	face nail
16. Continous header to stud	4 - 8d common (2) x 0.1317)	lozenge
17. Ceiling joist, lap over partitions (see Section 2308.0.1, Table 2308.0.1)	3 - 8d common (2) x 0.1317) 3" x 0.131" nail at 24" o.c. 3" 14 gage staples at 24" o.c. 4 - 3" x 0.131" nails 4 - 3" 14 gage staples	face nail
18. Ceiling joist to parallel rafters (see Section 2308.0.1, Table 2308.0.1)	3 - 8d common (2) x 0.1317) 3" x 0.131" nail at 24" o.c. 3" 14 gage staples at 24" o.c. 4 - 3" x 0.131" nails 4 - 3" 14 gage staples	face nail
19. Rafter to plate (see Section 2308.0.1, Table 2308.0.1)	3 - 8d common (2) x 0.1317) 3" x 0.131" nail at 24" o.c. 3" 14 gage staples at 24" o.c. 4 - 3" x 0.131" nails 4 - 3" 14 gage staples	lozenge
20. 1" diagonal brace to each stud and plate	2 - 8d common (2) x 0.1317) 2 - 3" x 0.131" nails 2 - 3" 14 gage staples	face nail
21. 1" x 8" sheathing to each bearing	3 - 8d common (2) x 0.1317)	face nail
22. Hider than 1" x 8" sheathing to each bearing	3 - 8d common (2) x 0.1317)	face nail
23. Built-up corner studs	16d common (2) x 0.1317) 3" x 0.131" nail at 24" o.c. 3" 14 gage staples at 24" o.c.	24" o.c. 8" o.c. 8" o.c.
24. Built-up girder and beams	20d common (4) x 0.1317) 3/4" o.c. 3" x 0.131" nail at 24" o.c. 3" 14 gage staples at 24" o.c. 6 - 20d common (4 x 0.1317) 3 - 3" x 0.131" nails 3 - 3" 14 gage staples	face nail at top and bottom staggered on opposite sides face nail at ends and at each splice
25. 2" planks	16d common (2) x 0.1317)	at each bearing
26. Collar tie to rafter	3 - 10d common (3" x 0.1487) 4 - 3" x 0.131" nails 4 - 3" 14 gage staples	face nail
27. Collar tie to rafter	3 - 10d common (3" x 0.1487) 4 - 3" x 0.131" nails 4 - 3" 14 gage staples	face nail
28. Jack rafter to hip	3 - 10d common (3" x 0.1487) 4 - 3" x 0.131" nails 4 - 3" 14 gage staples	lozenge
29. Roof rafter to 2x4 ridge beam	2 - 8d common (2) x 0.1317) 3 - 3" x 0.131" nails 3 - 3" 14 gage staples 2 - 8d common (2) x 0.1317) 3 - 3" x 0.131" nails 3 - 3" 14 gage staples	lozenge face nail
30. Joint to hand joint	3 - 8d common (2) x 0.1317) 4 - 3" x 0.131" nails 4 - 3" 14 gage staples	face nail
31. Ledger strip	3 - 8d common (2) x 0.1317) 4 - 3" x 0.131" nails 4 - 3" 14 gage staples	face nail
32. Wood structural panels and particleboard ^b subfloor, roof and wall sheathing (to framing)	3" and less 6d ^c - 1" 2" x 0.131" nail ^d 3" x 0.131" nail ^d 2" x 0.131" nail ^d 2" 14 gage ^d 3" to 1" 6d ^c or 6d ^e 3" and less 6d ^c 3" to 1" 6d ^c or 6d ^e	
33. Single floor construction wall/enclosure to framing	3" and less 6d ^c 3" and less 6d ^c	
34. Panel siding to framing	3" and less 6d ^c 3" and less 6d ^c	
35. Fiberboard sheathing ^f	1" No. 11 gage roofing nail 8d common nail (2) x 0.1317) 1" No. 11 gage roofing nail 8d common nail (2) x 0.1317) 1" No. 11 gage roofing nail 8d common nail (2) x 0.1317) 1" No. 11 gage roofing nail 8d common nail (2) x 0.1317)	
36. Interior paneling	1" 4d 3" 6d ^c	

For S4.1 1 inch = 25.4 mm
a. Common or box nails are permitted to be used except where otherwise stated.
b. Nails spaced at 8 inches on center at edges, 12 inches at intermediate supports except 6 inches at supports where spans are 48 inches or more. For nailing of wood structural panel and particulate sheathing and shear wall, refer to Section 2305. Nails for wall sheathing are permitted to be common box or casing.
c. Common or deformed shank (6d - 2" x 0.1317), 6d - 2 1/2" x 0.1317), 6d - 2 1/2" x 0.1317), 6d - 2 1/2" x 0.1317).
d. Common (6d - 2" x 0.1317), 6d - 2 1/2" x 0.1317), 6d - 2 1/2" x 0.1317), 6d - 2 1/2" x 0.1317).
e. Deformed shank (6d - 2" x 0.1317), 6d - 2 1/2" x 0.1317), 6d - 2 1/2" x 0.1317), 6d - 2 1/2" x 0.1317).
f. Corrosion-resistant siding (6d - 1 1/2" x 0.1317), 6d - 2 1/2" x 0.1317) or casing (6d - 2 1/2" x 0.1317) nail.
g. Fasteners spaced 8 inches on center at exterior edges and 6 inches on center at intermediate supports. When used as structural sheathing, spacing shall be 6 inches on center on the edges and 12 inches on center at intermediate supports for nonstructural applications.
h. Corrosion-resistant roofing nails with 3/8-inch diameter head and 1 1/2-inch length for 1/2-inch sheathing and 1 1/2-inch length for 3/4-inch sheathing.
i. Corrosion-resistant nails with nominal 3/8-inch crown and 1 1/2-inch length for 1/2-inch sheathing and 1 1/2-inch length for 3/4-inch sheathing at inches (20 inches if strength axis in the long direction of panel) unless otherwise marked.
j. Panel supports at 24 inches, ceiling or floor nails spaced 6 inches on panel edges, 12 inches at intermediate supports.
k. For roof sheathing applications, 8d nails (2) x 0.1317) are the minimum required for wood structural panels.
l. Staples shall have a minimum crown width of 3/8 inch.
m. For roof sheathing applications, fasteners spaced 4 inches on center at edges, 6 inches at intermediate supports. Fasteners spaced 6 inches on center at edges, 8 inches at intermediate supports for subfloor and wall sheathing and 8 inches on center at edges, 8 inches at intermediate supports for roof sheathing.
n. Fasteners spaced 4 inches on center at edges, 6 inches at intermediate supports for subfloor and wall sheathing and 8 inches on center at edges, 8 inches at intermediate supports for roof sheathing.
o. Fasteners spaced 4 inches on center at edges, 6 inches at intermediate supports.



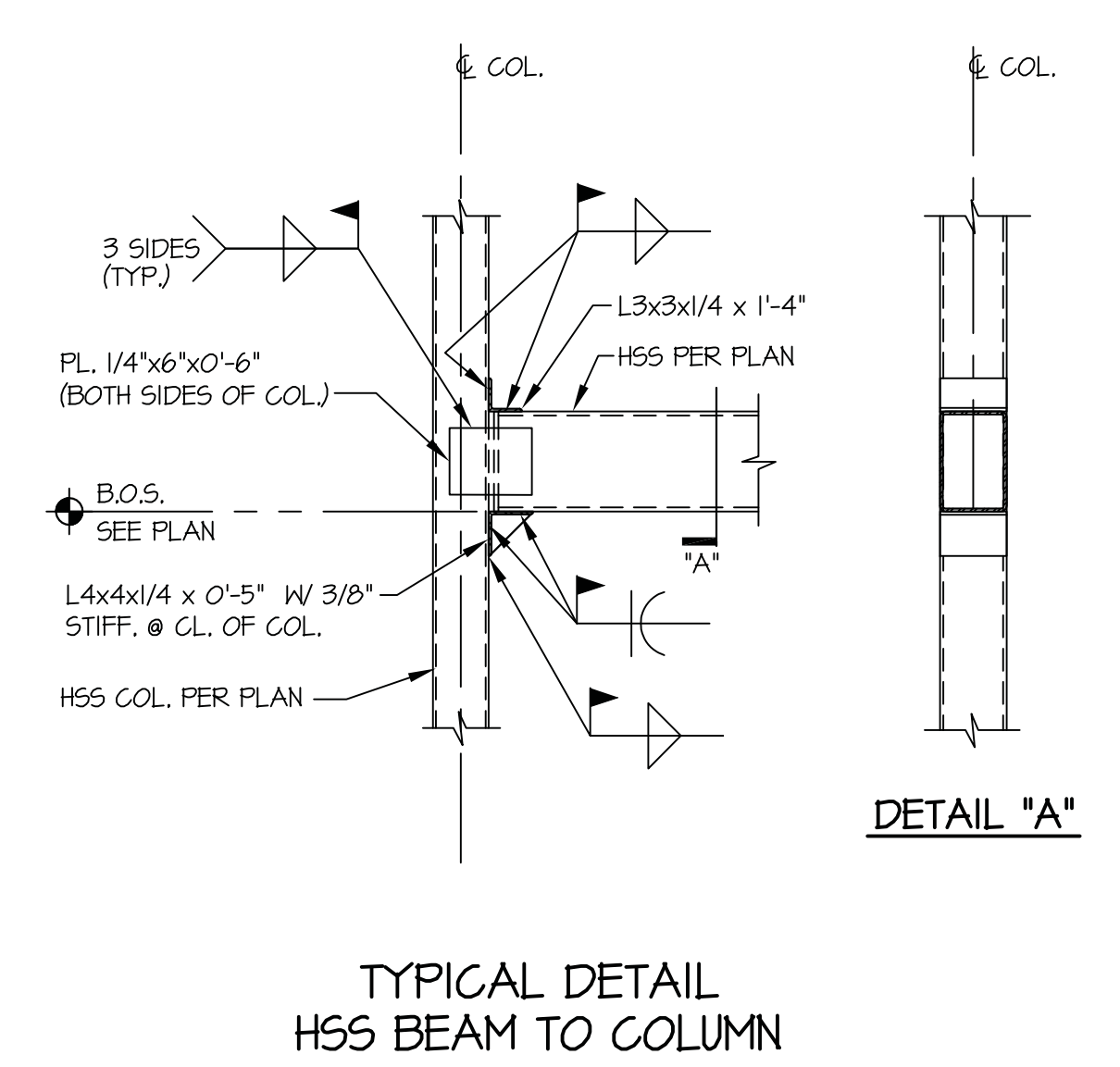
PARAPET RETURN WALL

NO SCALE **16** NO SCALE **12** NO SCALE **8**



PARAPET RETURN WALL

SCALE: 3/4" = 1'-0" **15** SCALE: 3/4" = 1'-0" **11** SCALE: 3/4" = 1'-0" **7**



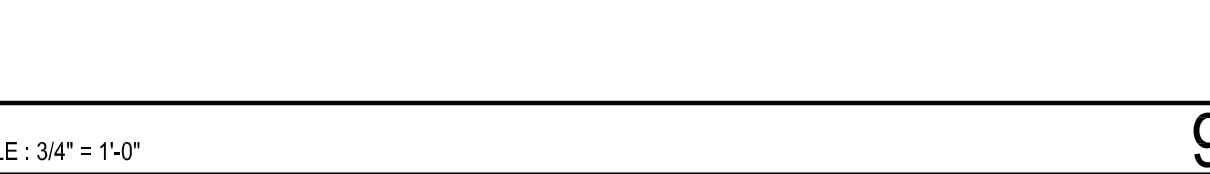
TYPICAL DETAIL H55 BEAM TO COLUMN

SCALE: 3/4" = 1'-0" **14** SCALE: 3/4" = 1'-0" **10** SCALE: 3/4" = 1'-0" **6**



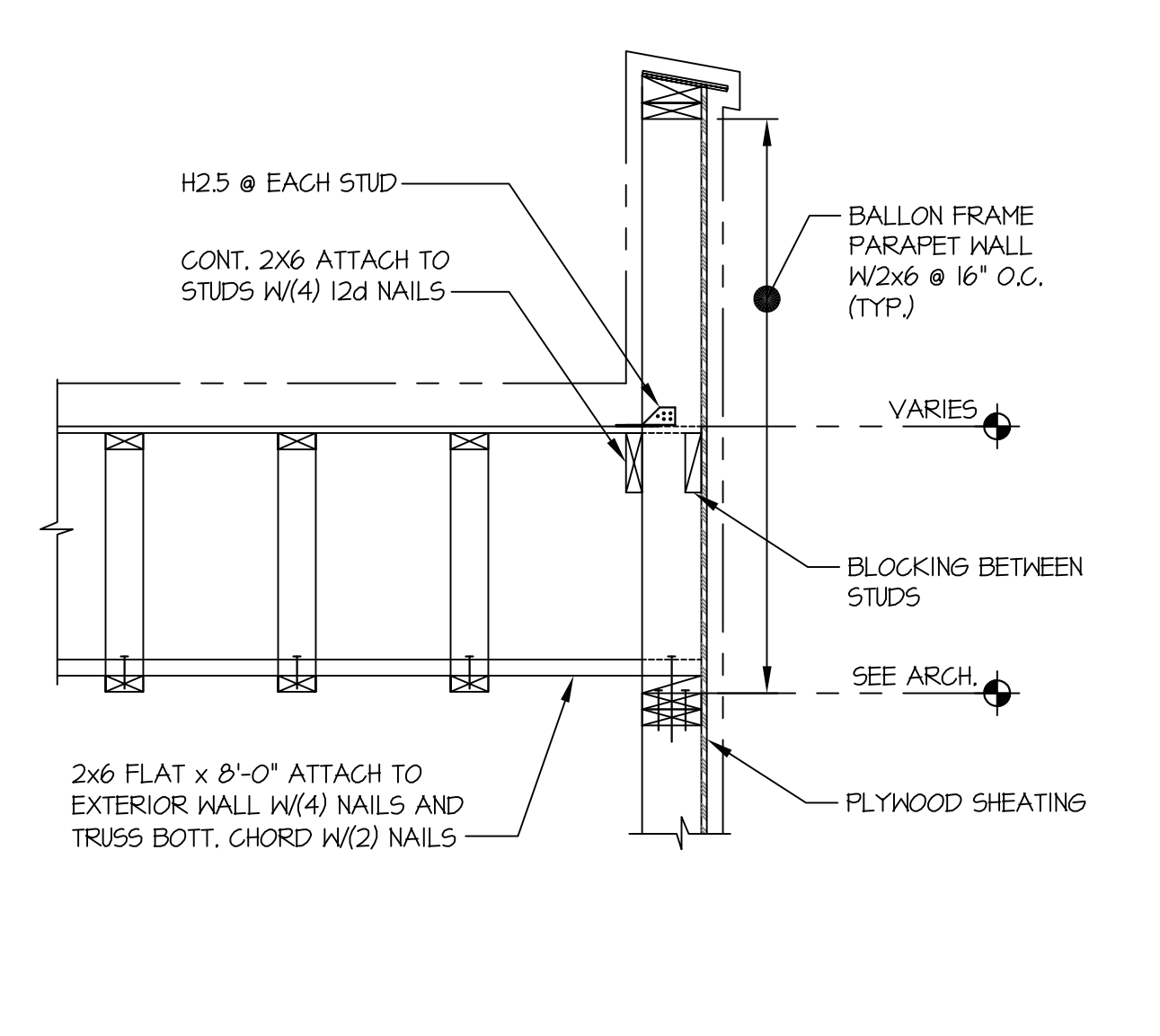
TYPICAL DETAIL CONNECTION OF STEEL COLUMNS TO DOUBLE PLATES

SCALE: 3/4" = 1'-0" **13** SCALE: 3/4" = 1'-0" **9** SCALE: 3/4" = 1'-0" **5**



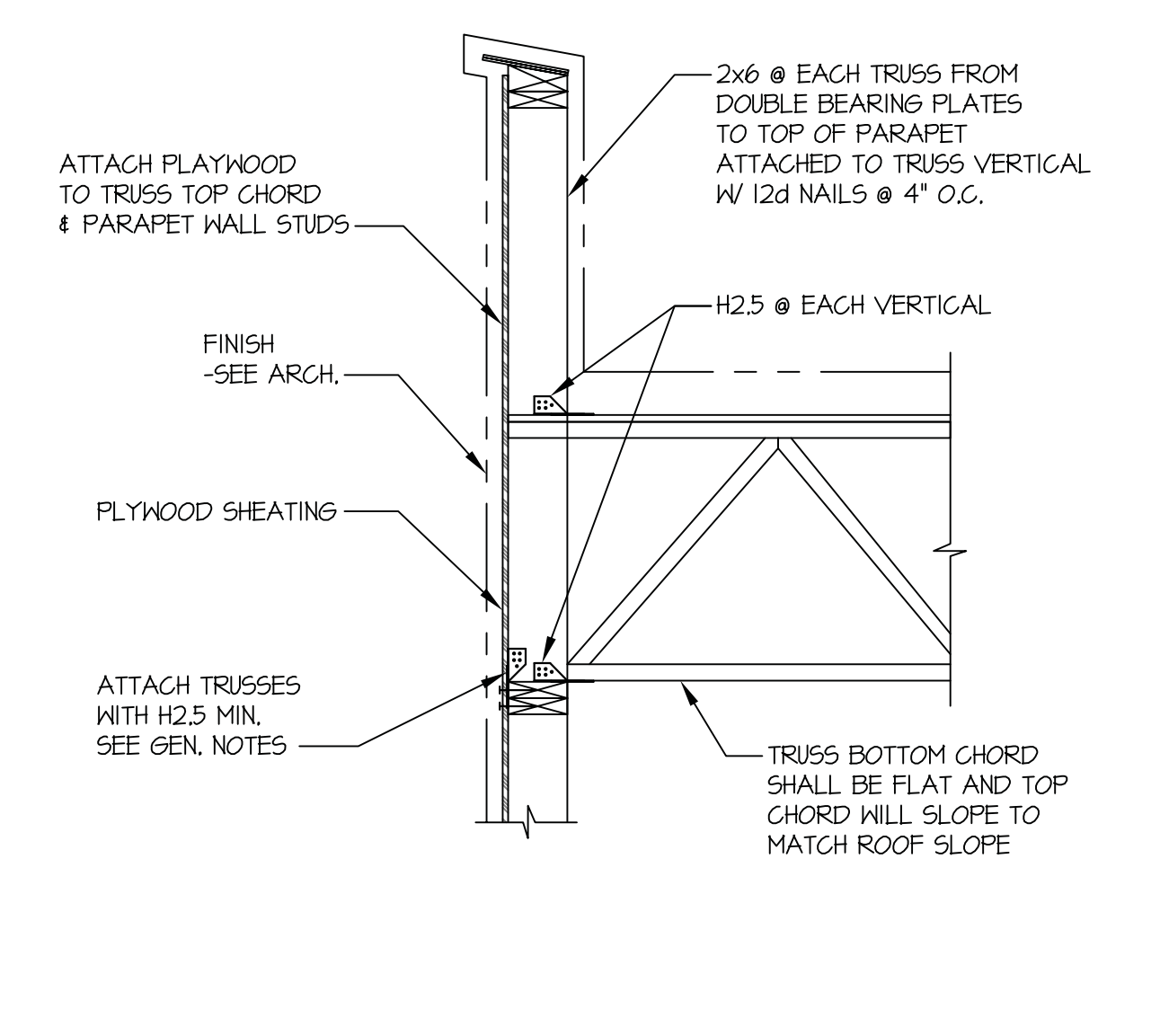
TYPICAL DETAIL STEEL BEAM TO COLUMN

SCALE: 3/4" = 1'-0" **13** SCALE: 3/4" = 1'-0" **9** SCALE: 3/4" = 1'-0" **5**



TYPICAL DETAIL CANOPY CONNECTION

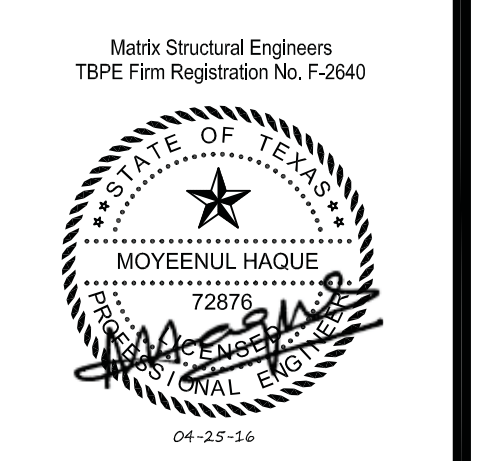
SCALE: 3/4" = 1'-0" **4**



TYPICAL DETAIL STEEL BEAM TO COLUMN

SCALE: 3/4" = 1'-0" **4**

WINDLE + VOLPE
ARCHITECTS
PH 713-955-1390
HOUSTON, TEXAS 77065
7600 BRINDLEY



PAD BUILDING AT THE CROSSROADS MALL GREENVILLE, TEXAS
GREENVILLE PROPERTIES LTD.
GREENVILLE, TEXAS

DATE	4/25/24	BY	BN
PROJECT NO.	05-14-05		
DRAWN BY			

FRAMING DETAILS

S4.1