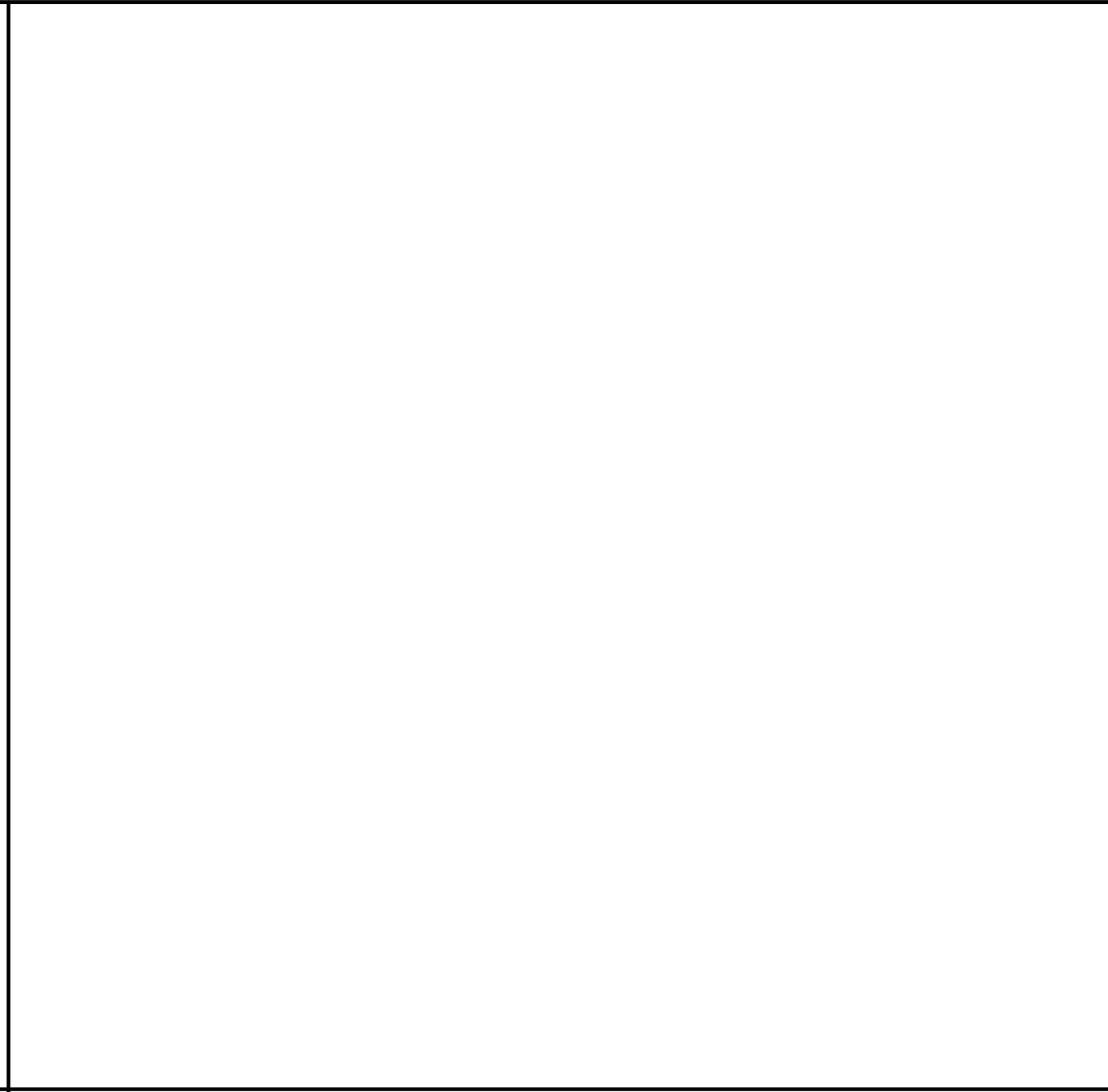
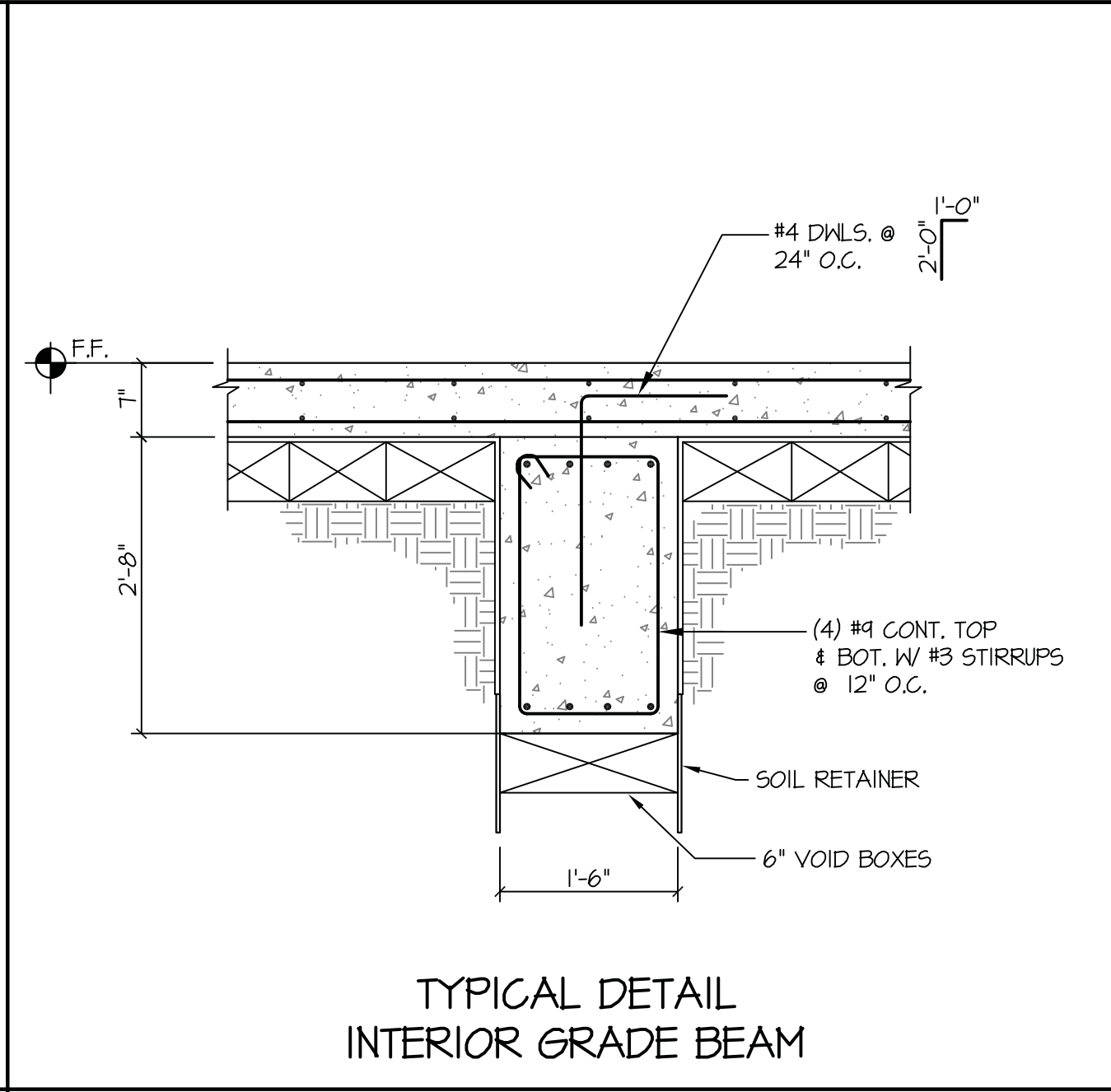


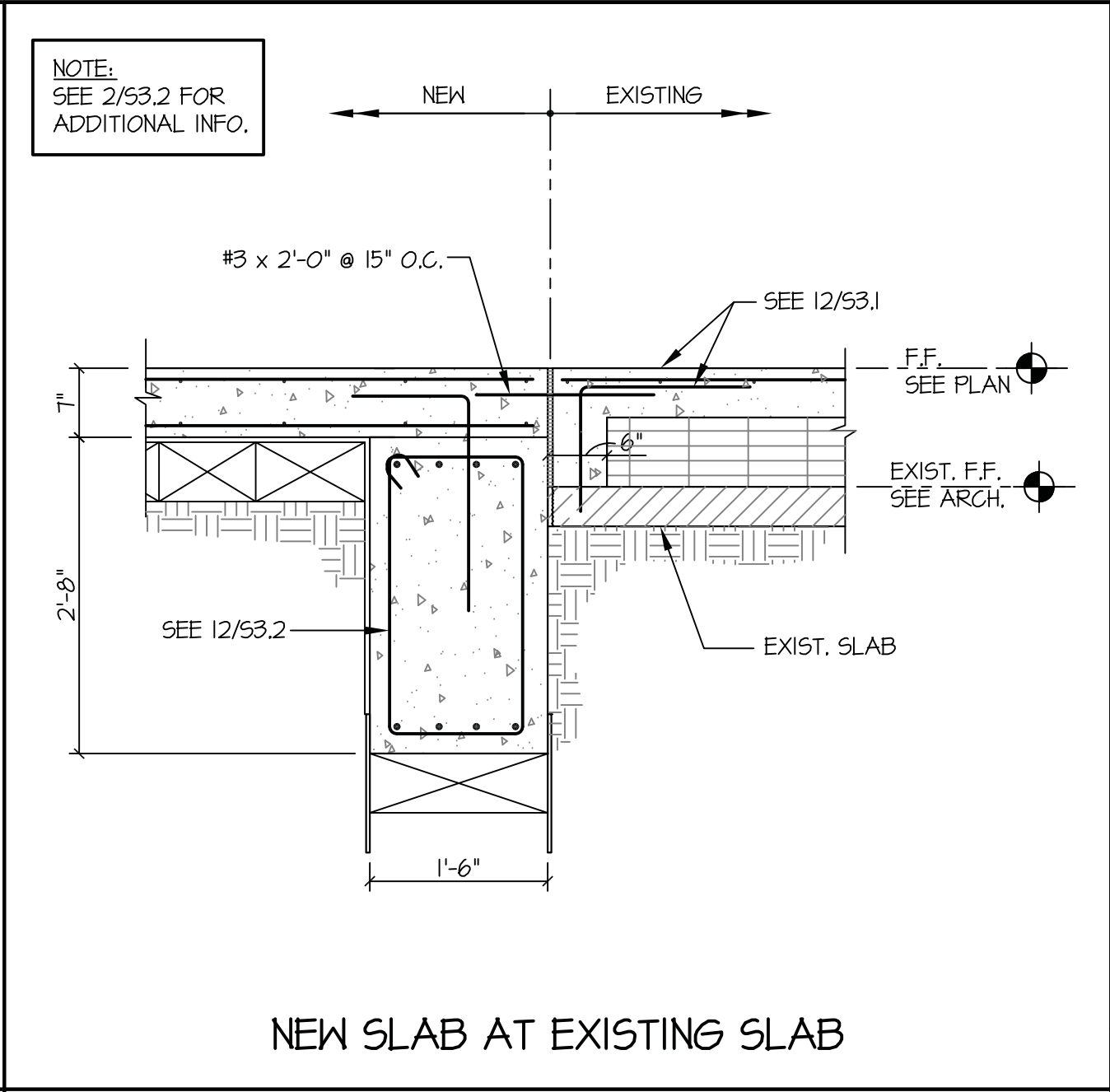
NO SCALE 20



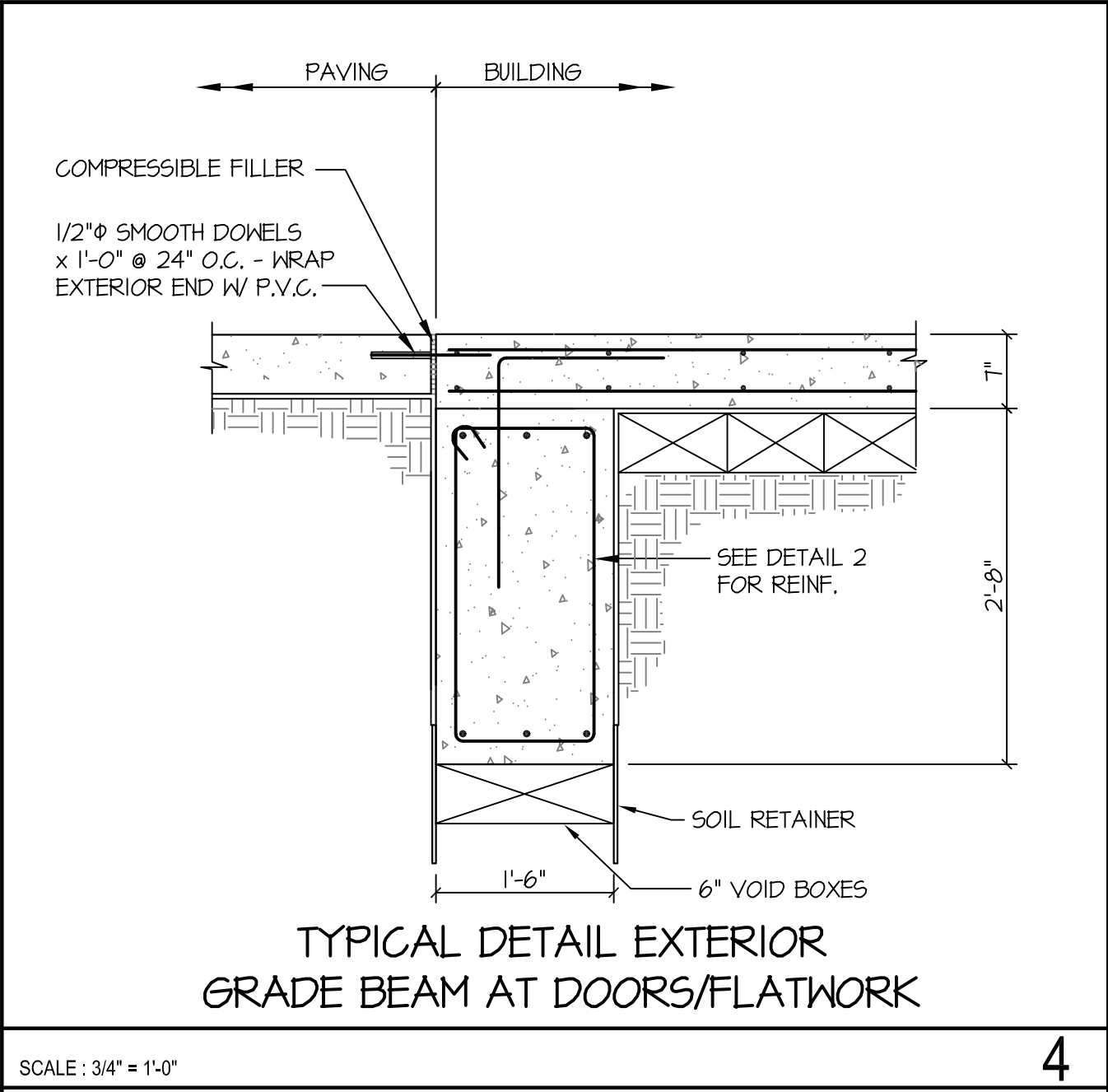
NO SCALE 16



NO SCALE 12



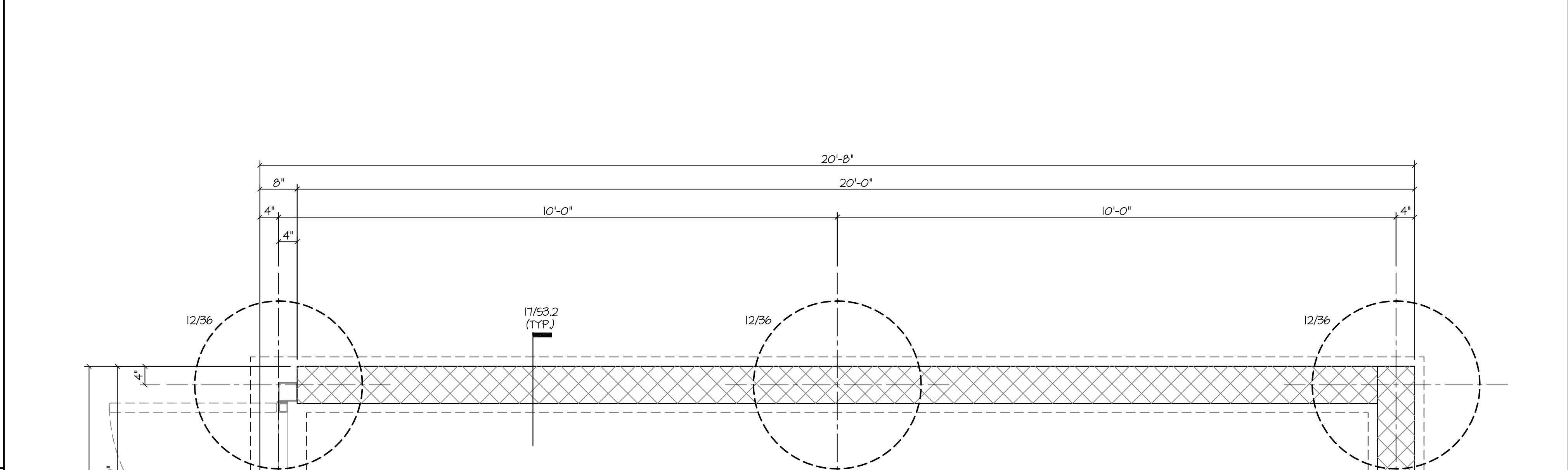
SCALE: 3/4\"/>



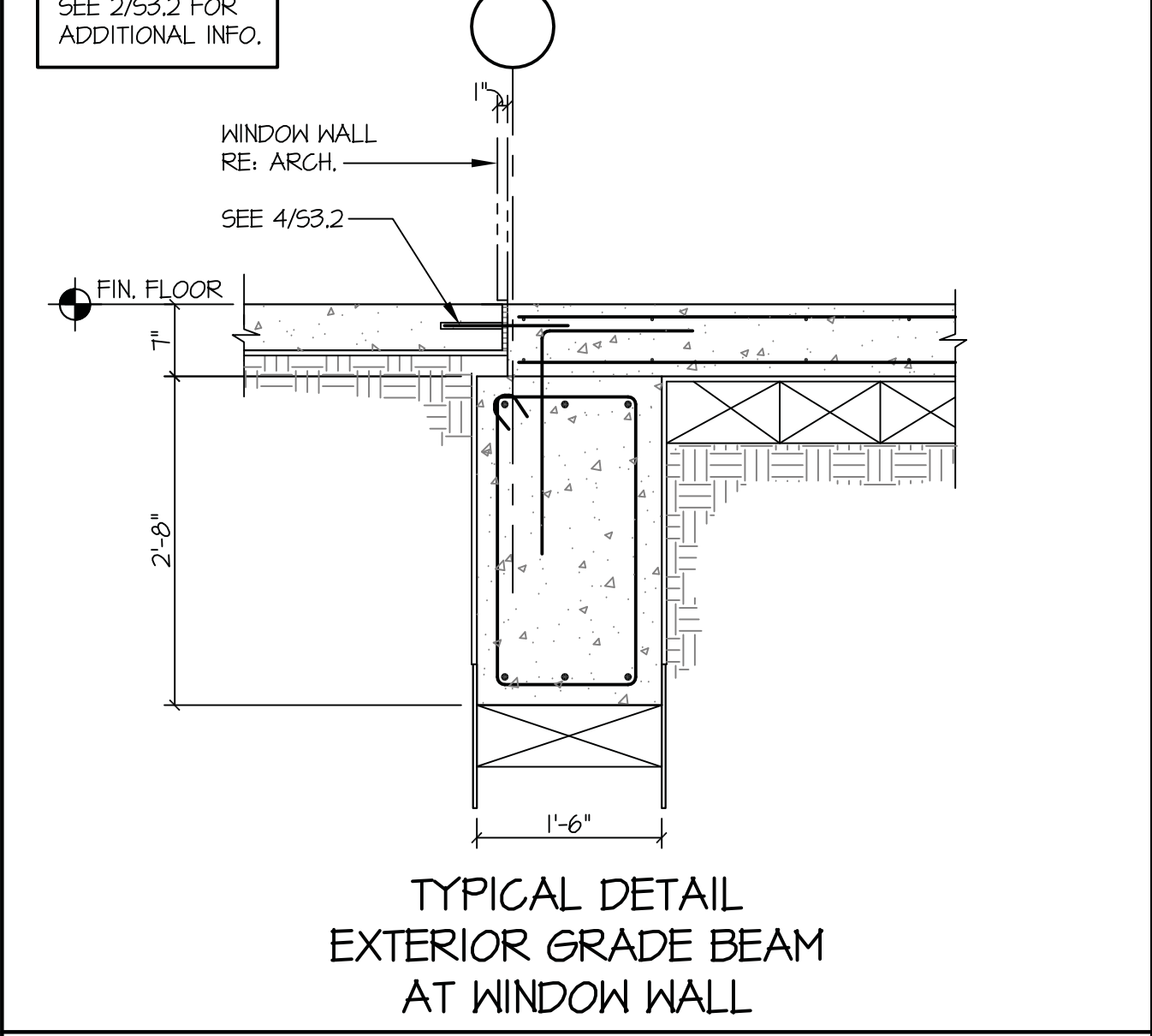
SCALE: 3/4\"/>



SCALE: 3/4\"/>



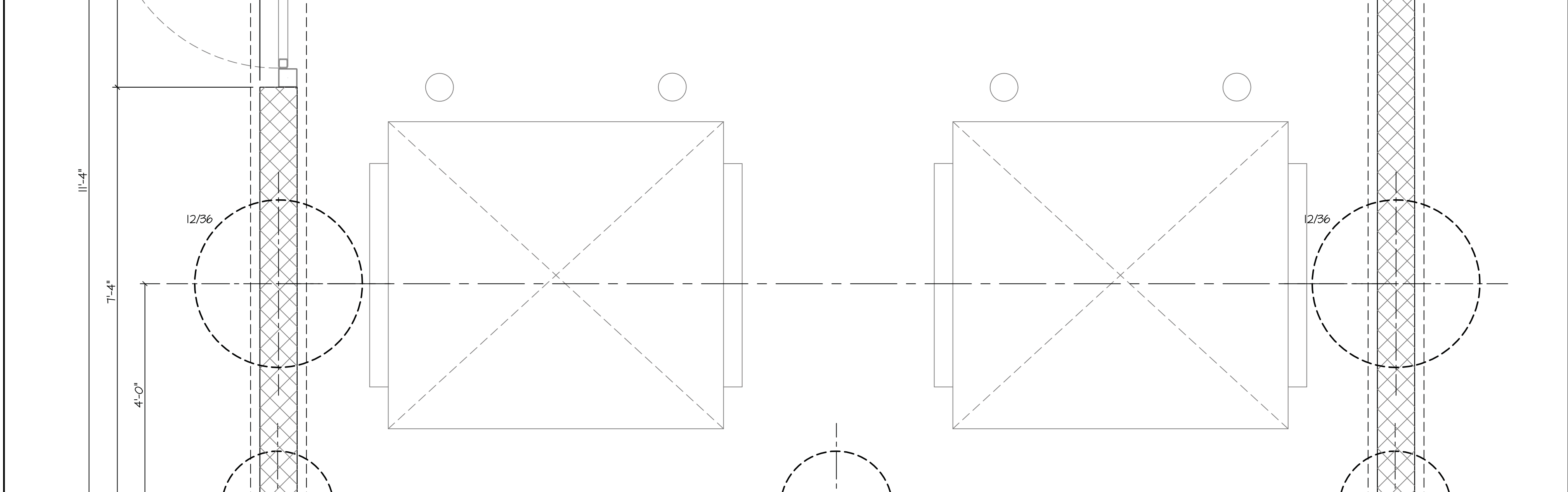
SCALE: 3/4\"/>



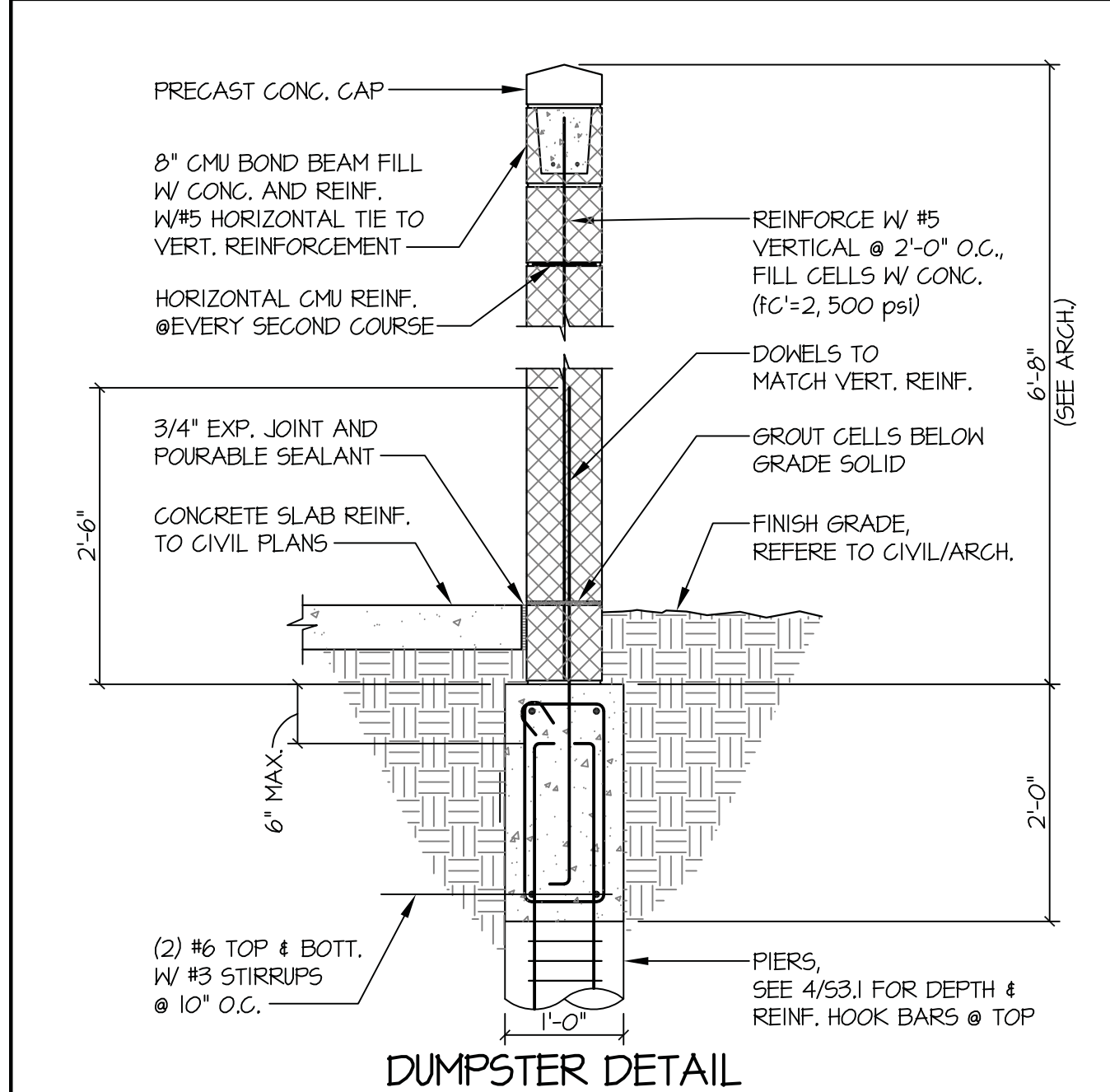
SCALE: 3/4\"/>



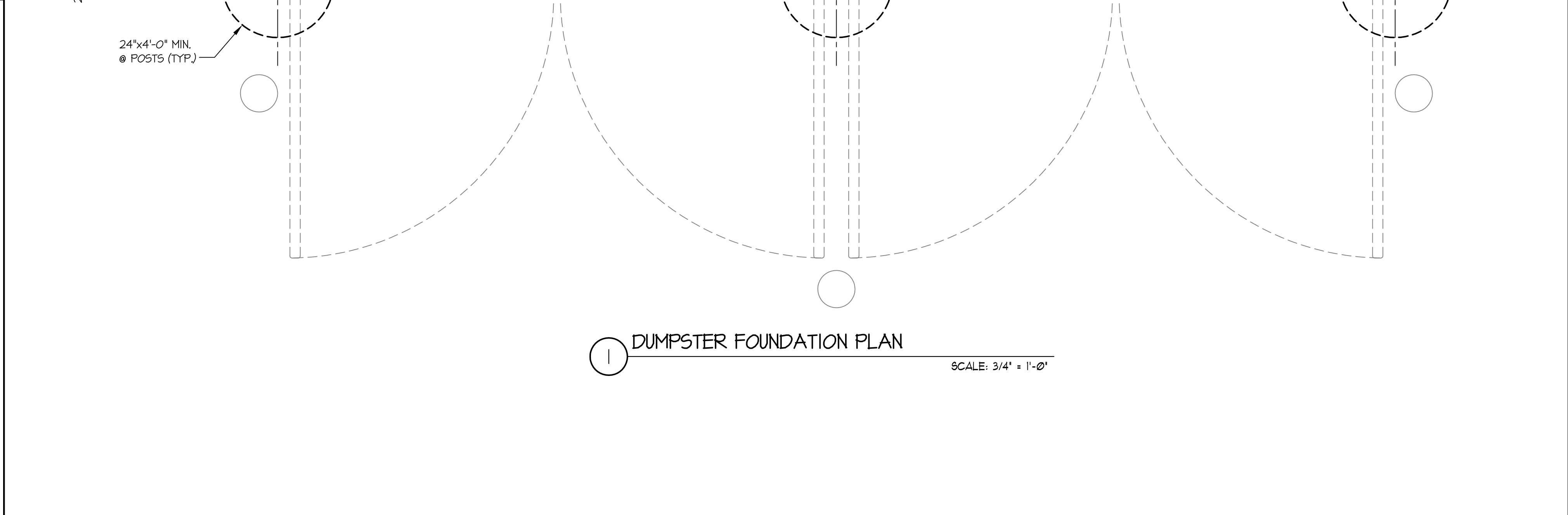
SCALE: 3/4\"/>



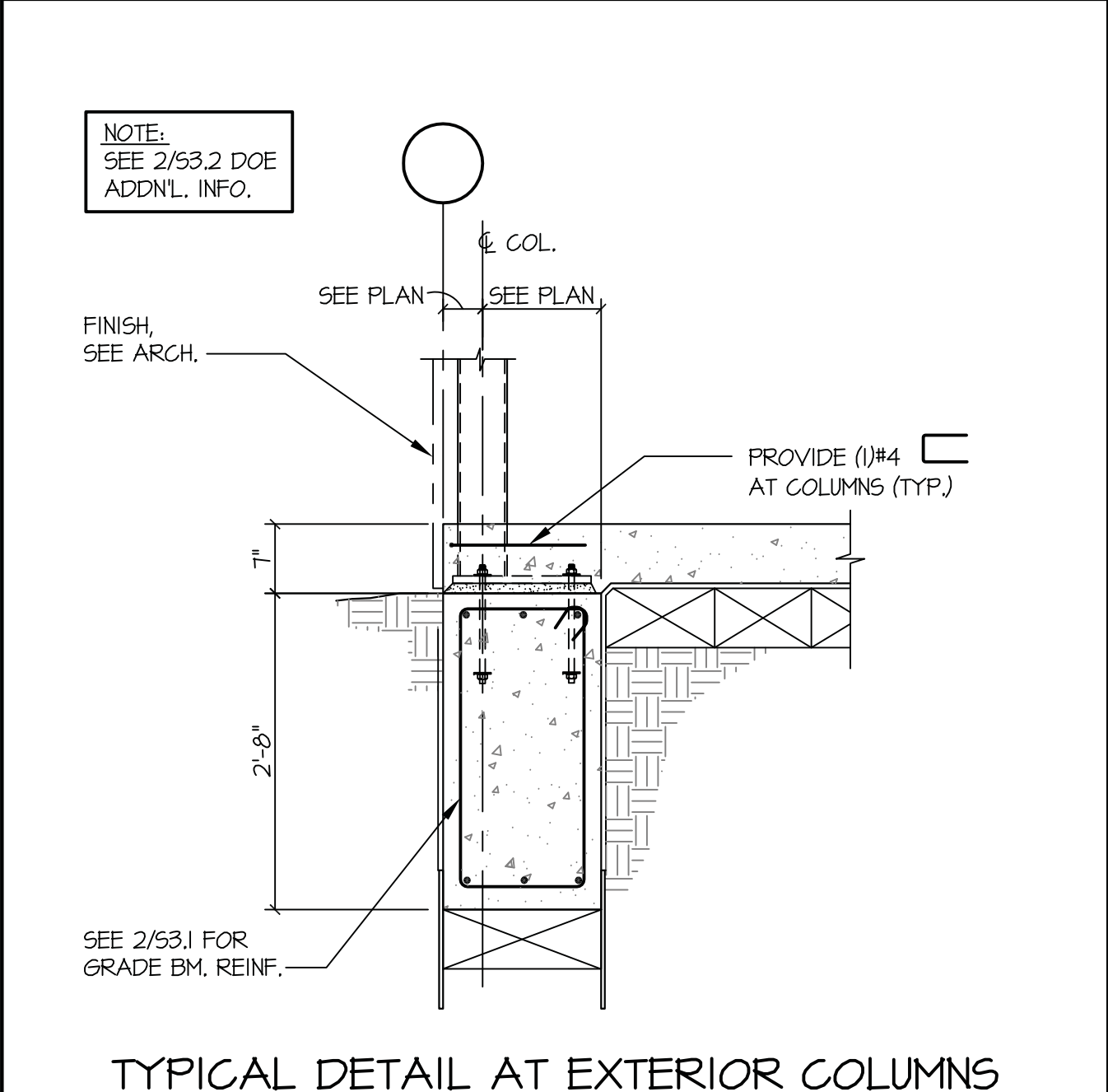
SCALE: 3/4\"/>



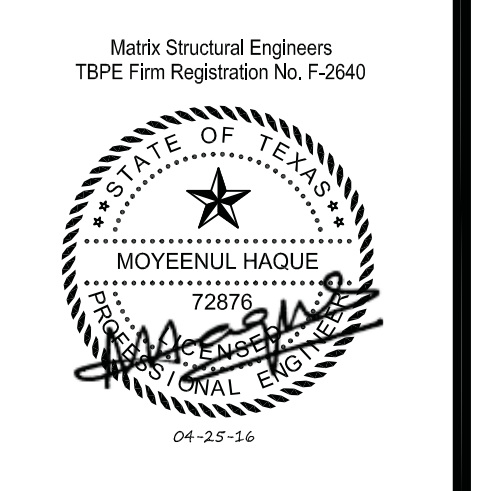
SCALE: 3/4\"/>



SCALE: 3/4\"/>



SCALE: 3/4\"/>



DATE	4/25/16	BY	BN
PROJECT NO.	05-14-05		
DRAWN BY			

FOUNDATION
DETAILS

S3.2