

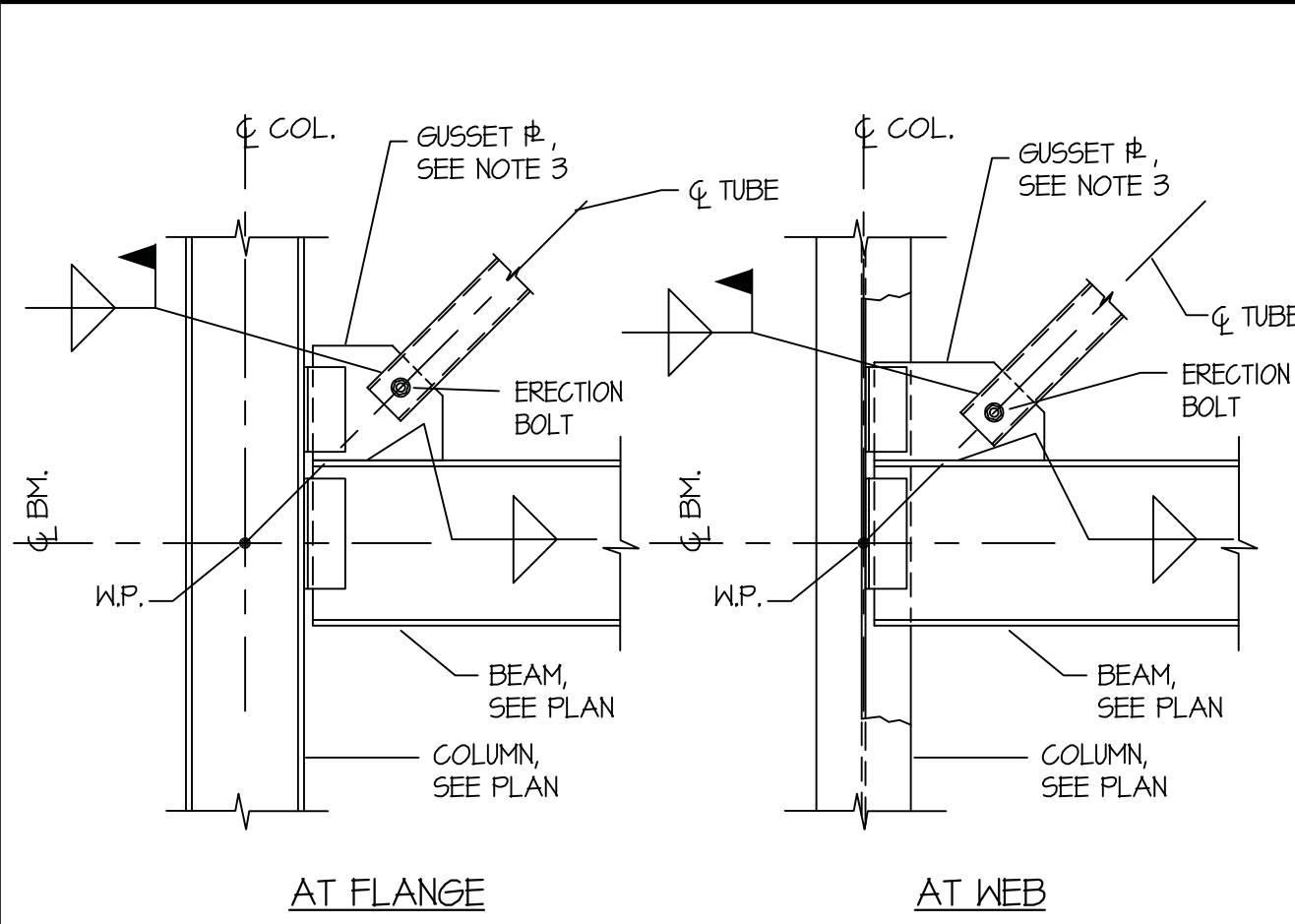
AT NO MASONRY			AT MASONRY		
PARAPET HEIGHT	STUD	G TO G SPACING	PARAPET HEIGHT	STUD	G TO G SPACING
UP TO 8'-6"	800162-54	16"	UP TO 7'-0"	800162-54	16"
8'-6" TO 9'-6"	800162-54	12"	7'-0" TO 8'-0"	800162-54	12"
9'-6" TO 10'-6"	(2)-800162-54	16"	8'-0" TO 9'-6"	(2)-800162-54	16"
10'-6" TO 11'-6"	(2)-800162-54	12"	9'-6" TO 11'-6"	(2)-800162-54	12"
11'-6" TO 13'-10"	(2)-8009162-4T	12"	9'-6" TO 11'-6"	(2)-8009162-4T	12"

NOTES:  
 1. PARAPET HEIGHT MEASURED FROM STUD CLIP TO TOP OF STUDS.  
 2. (2)-800162-54 INDICATES DOUBLED (BACK-TO-BACK) STUDS AT SPACING INDICATED.  
 3. THESE ARE MINIMUM STUD REQUIREMENTS FOR PARAPET CONDITION. IF LARGER STUDS OR CLOSER SPACING IS REQUIRED FOR ANY REASON, THE MORE STRINGENT REQUIREMENT SHALL CONTROL.

**TYPICAL DETAIL  
 MIN. STUD REQUIREMENTS AT EXTERIOR  
 WALLS WITH PARAPETS**

SCALE: 3/4" = 1'-0"

20

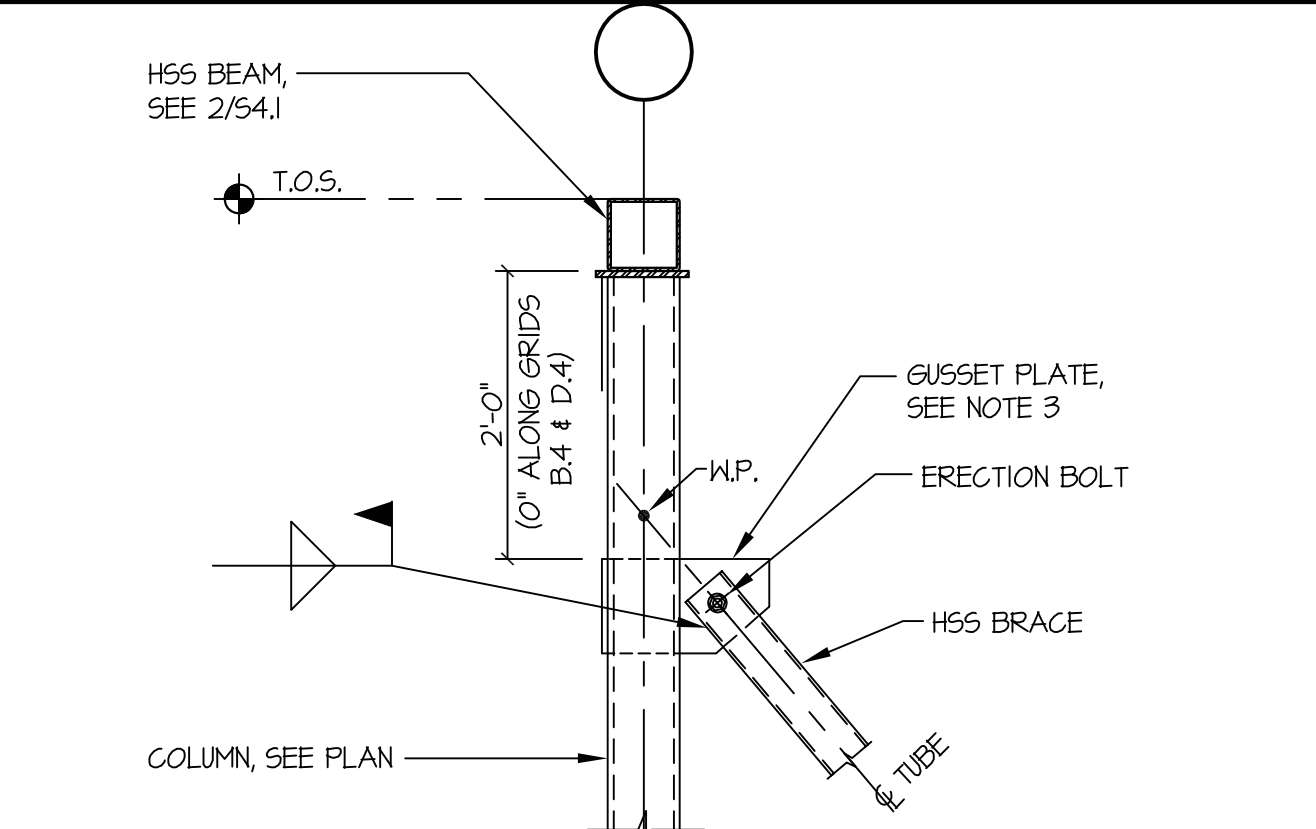


NOTES:  
 1. Refer to brace elevations for brace sizes and forces.  
 2. If not provided, unless noted otherwise, the brace force shall be the maximum tension and / or compression capacity of the brace. If brace forces are shown, they are factored loads (LRFD).  
 3. Gusset plate shall be centered on steel beam and designed to develop brace force.  
 4. Bolts and welds shall be designed by the fabricator for the vertical and horizontal components of the brace force including the effect of eccentricity. The minimum size fillet weld shall be 1/4".

**TYPICAL DETAIL  
 BRACE CONNECTION**

SCALE: NONE

15

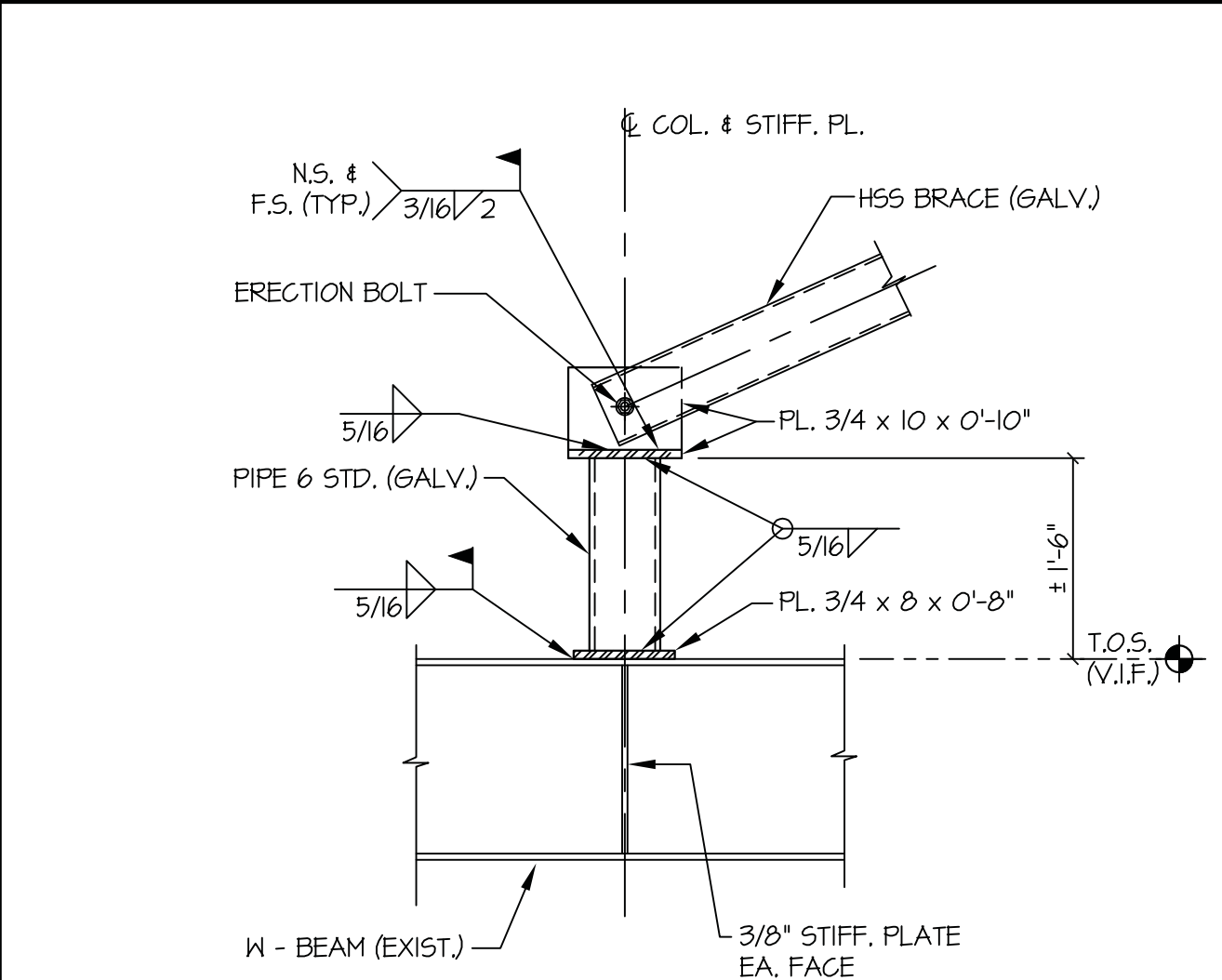


NOTES:  
 1. Refer to brace elevations for brace sizes and forces.  
 2. If not provided, unless noted otherwise, the brace force shall be the maximum tension and / or compression capacity of the brace. If brace forces are shown, they are factored loads (LRFD).  
 3. Gusset plate shall be centered on steel beam and designed to develop brace force.  
 4. Bolts and welds shall be designed by the fabricator for the vertical and horizontal components of the brace force including the effect of eccentricity. The minimum size fillet weld shall be 1/4".

**HSS BRACE AT HSS COLUMN**

SCALE: 3/4" = 1'-0"

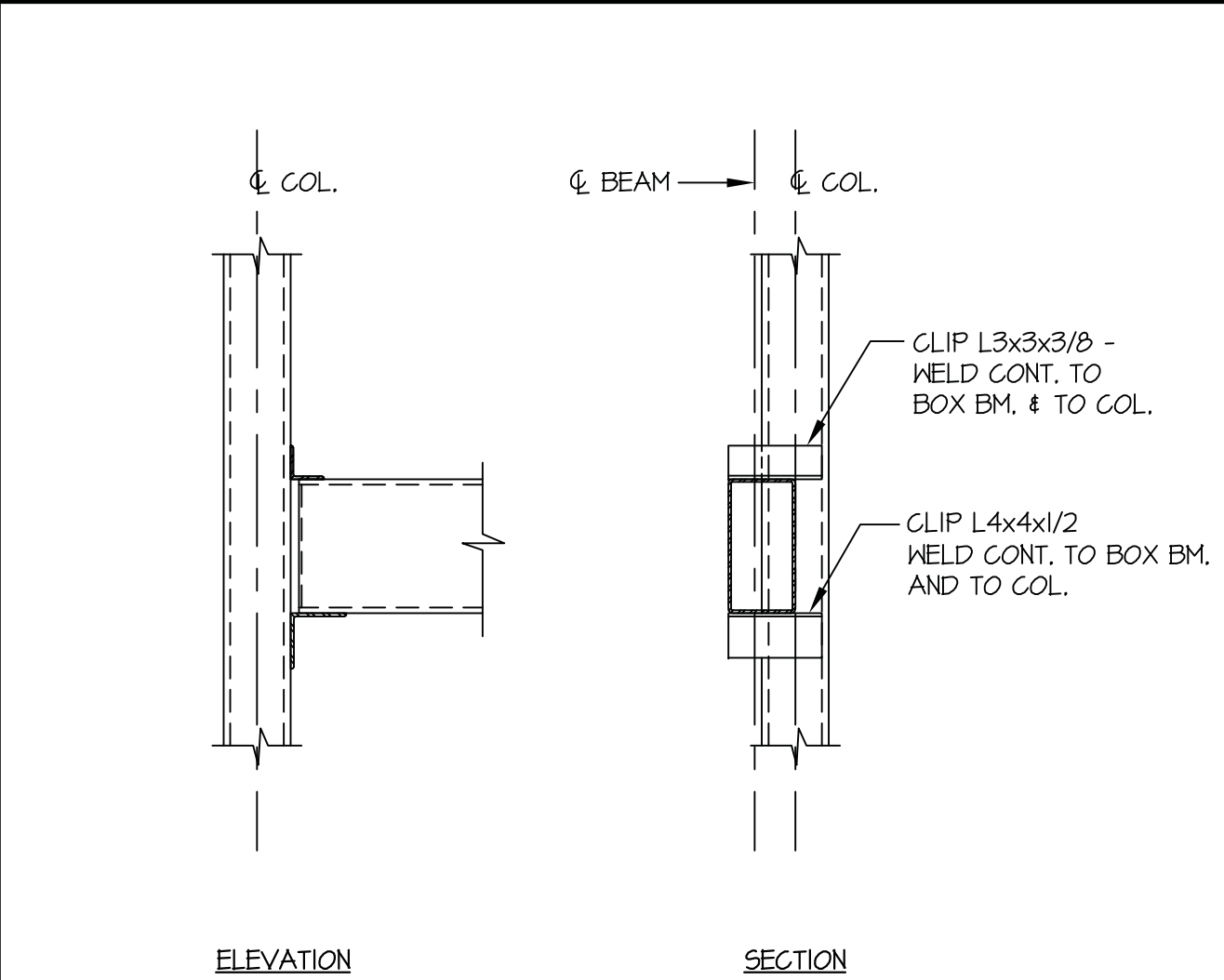
12



**HSS BRACE AT EXIST. BEAM**

SCALE: 3/4" = 1'-0"

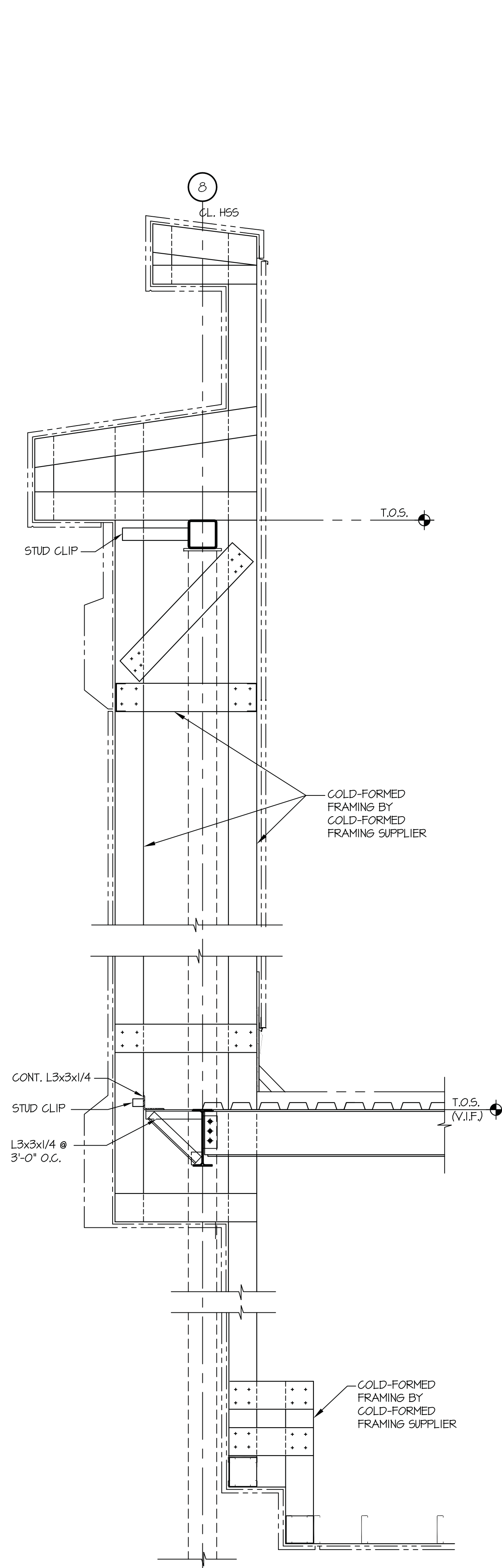
8



**TYPICAL TUBE BEAM  
 TO COLUMN CONNECTION DETAIL**

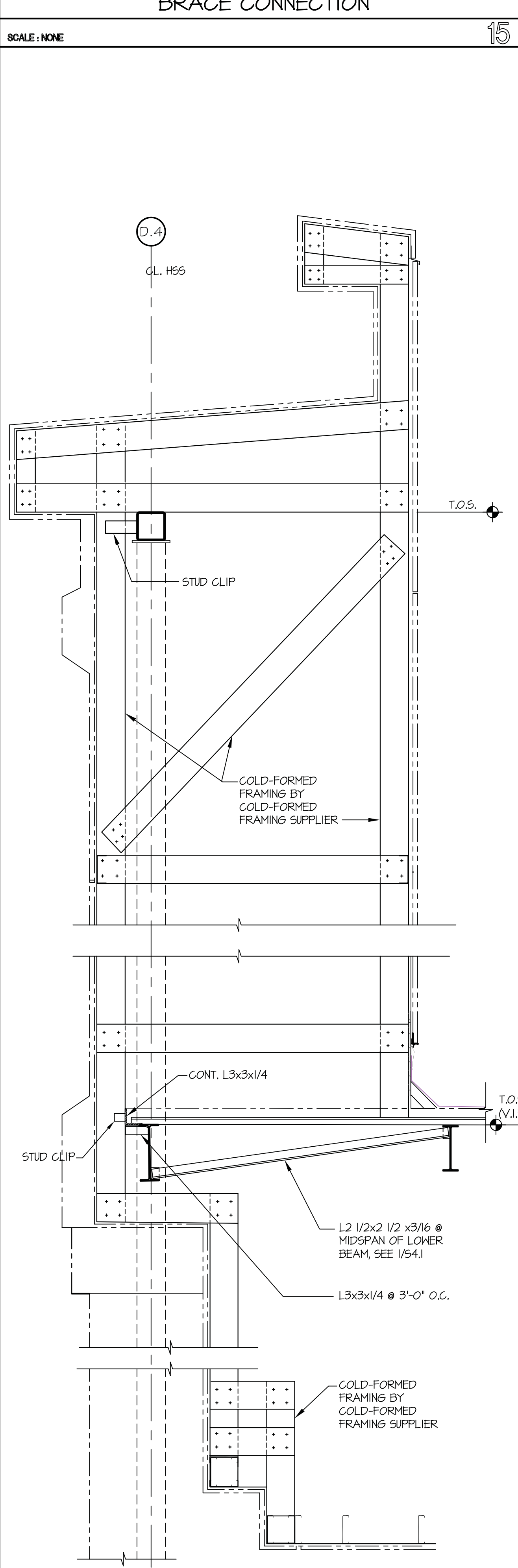
SCALE: 3/4" = 1'-0"

4



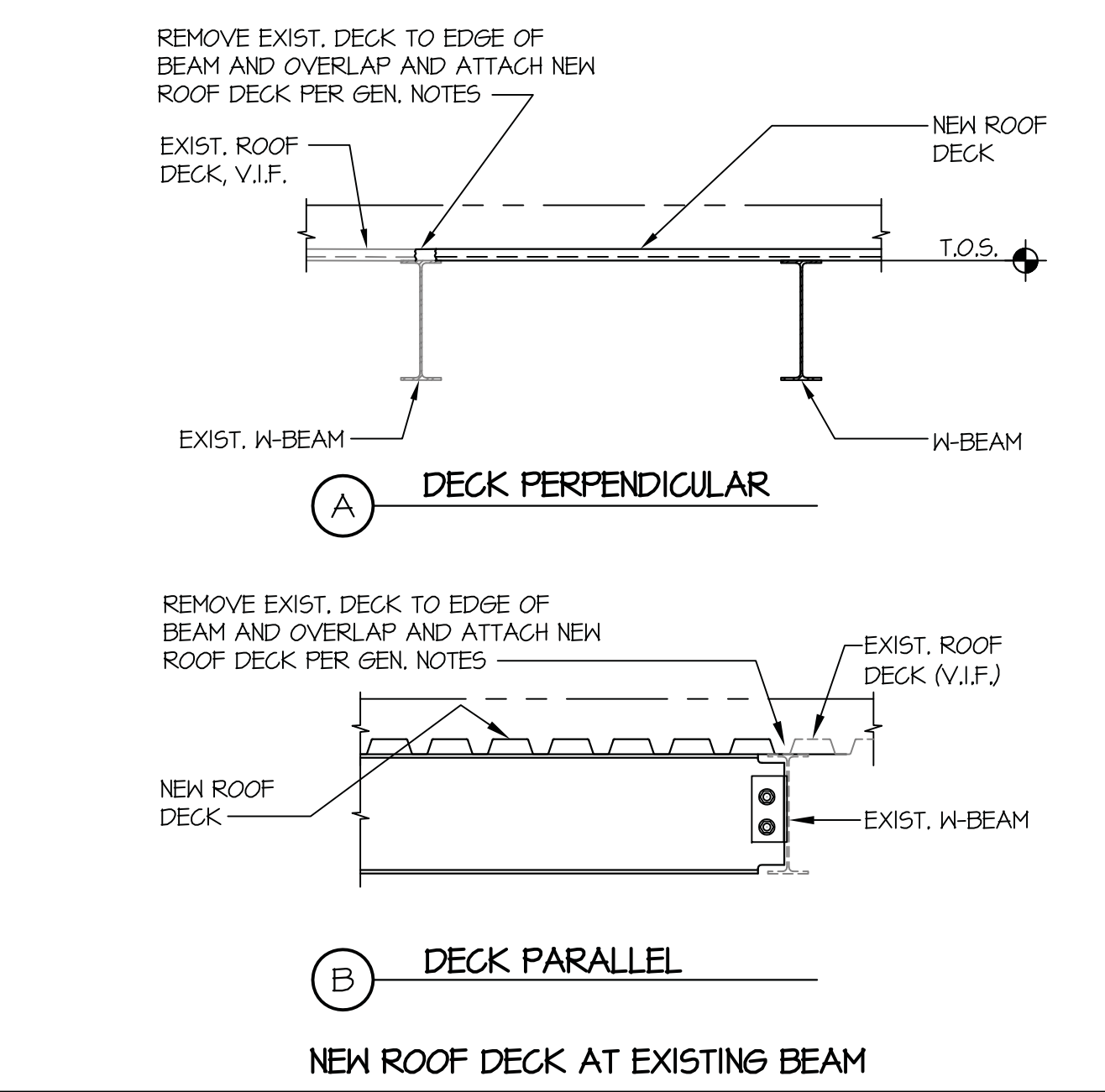
SCALE: 1/8" = 1'-0"

17



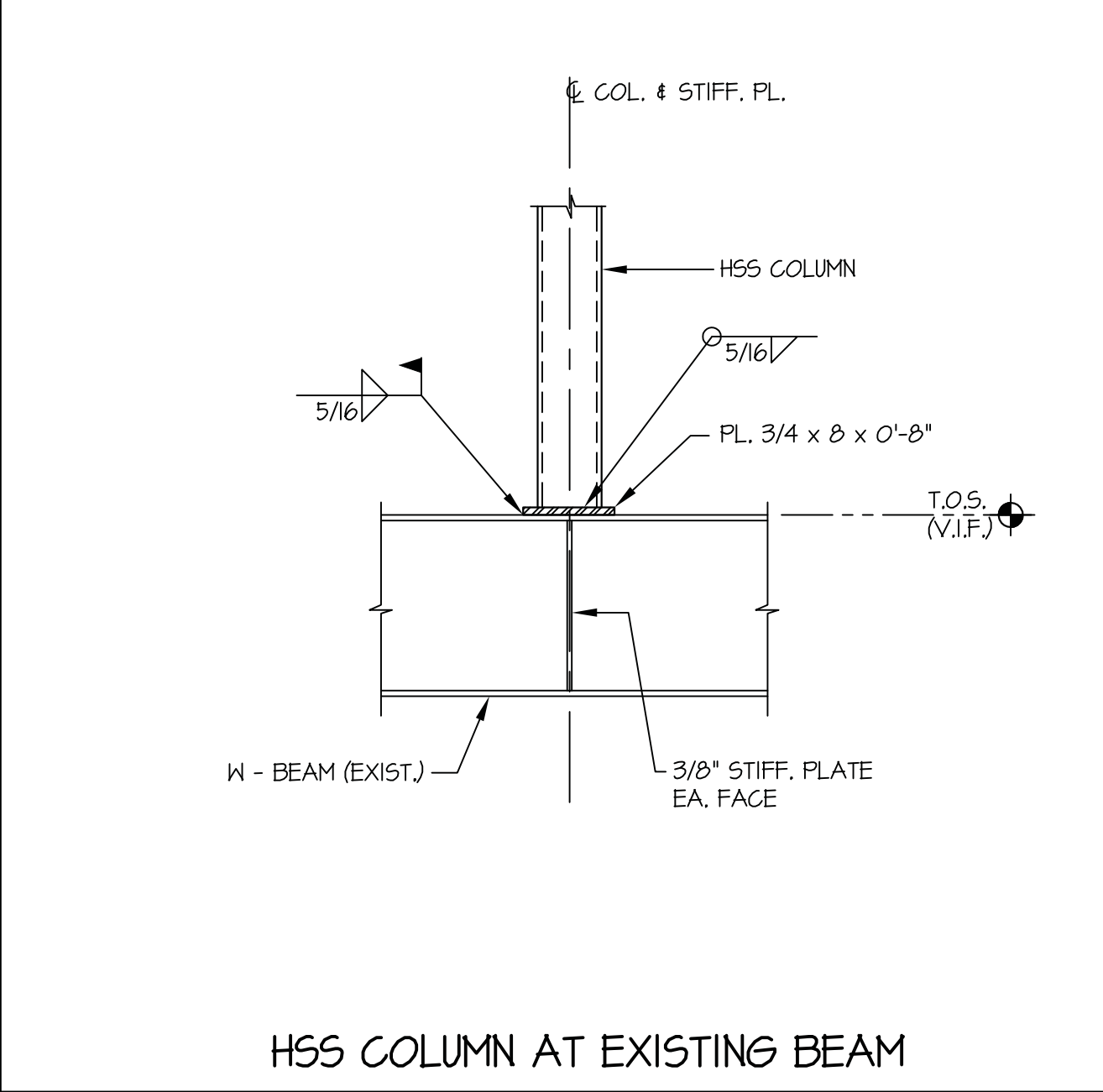
SCALE: 1/8" = 1'-0"

13



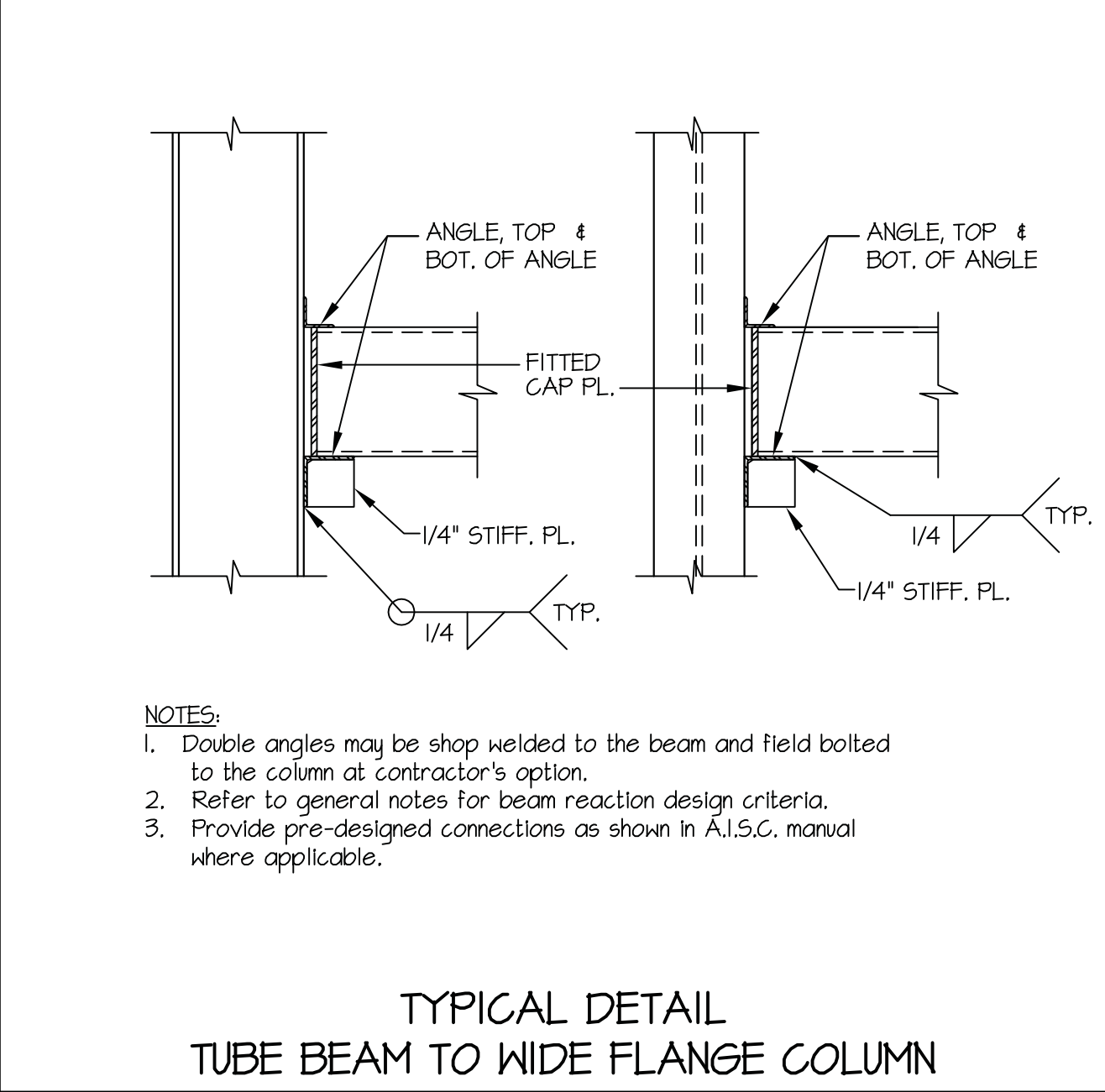
SCALE: 3/4" = 1'-0"

11



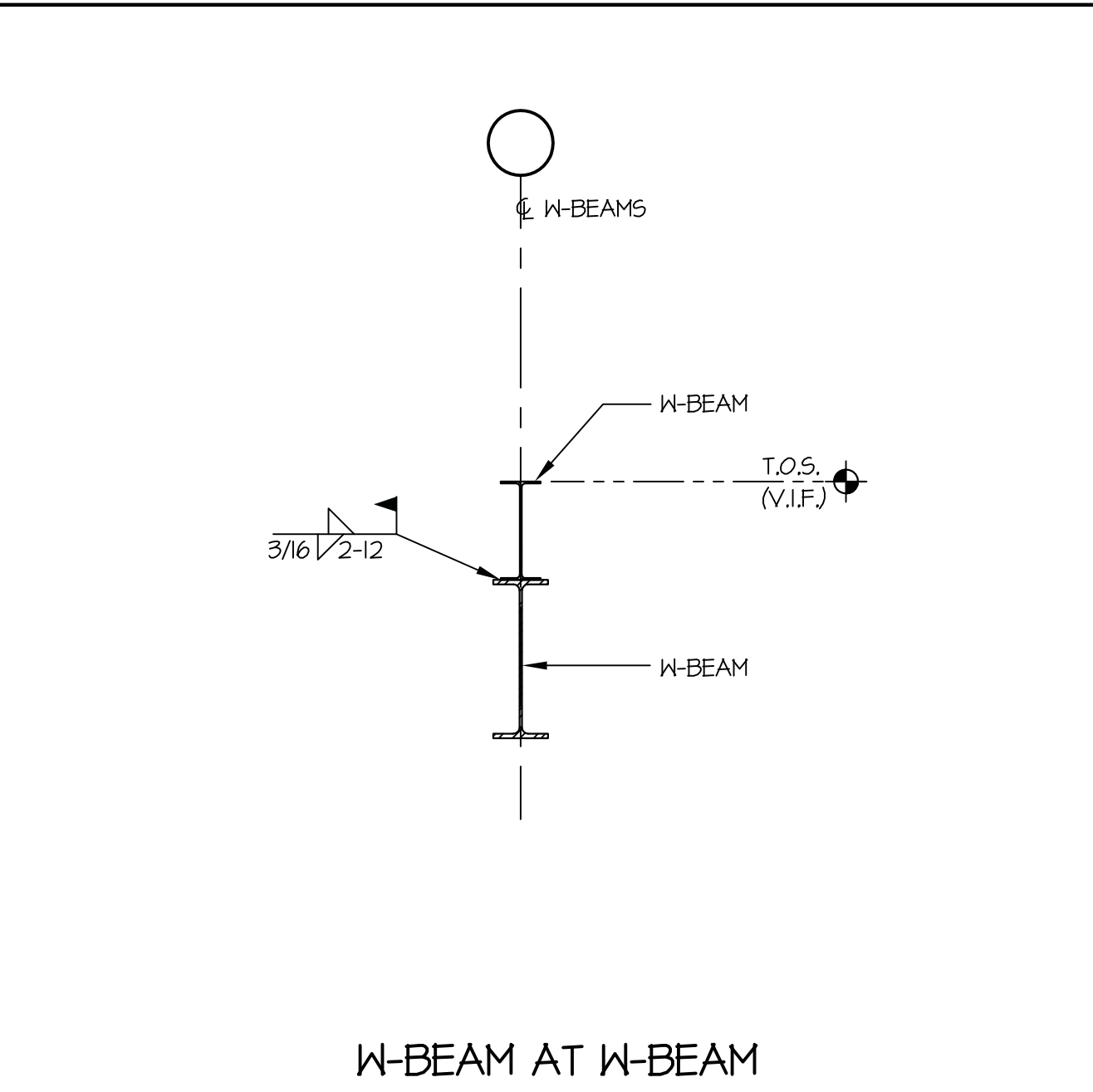
SCALE: 3/4" = 1'-0"

7



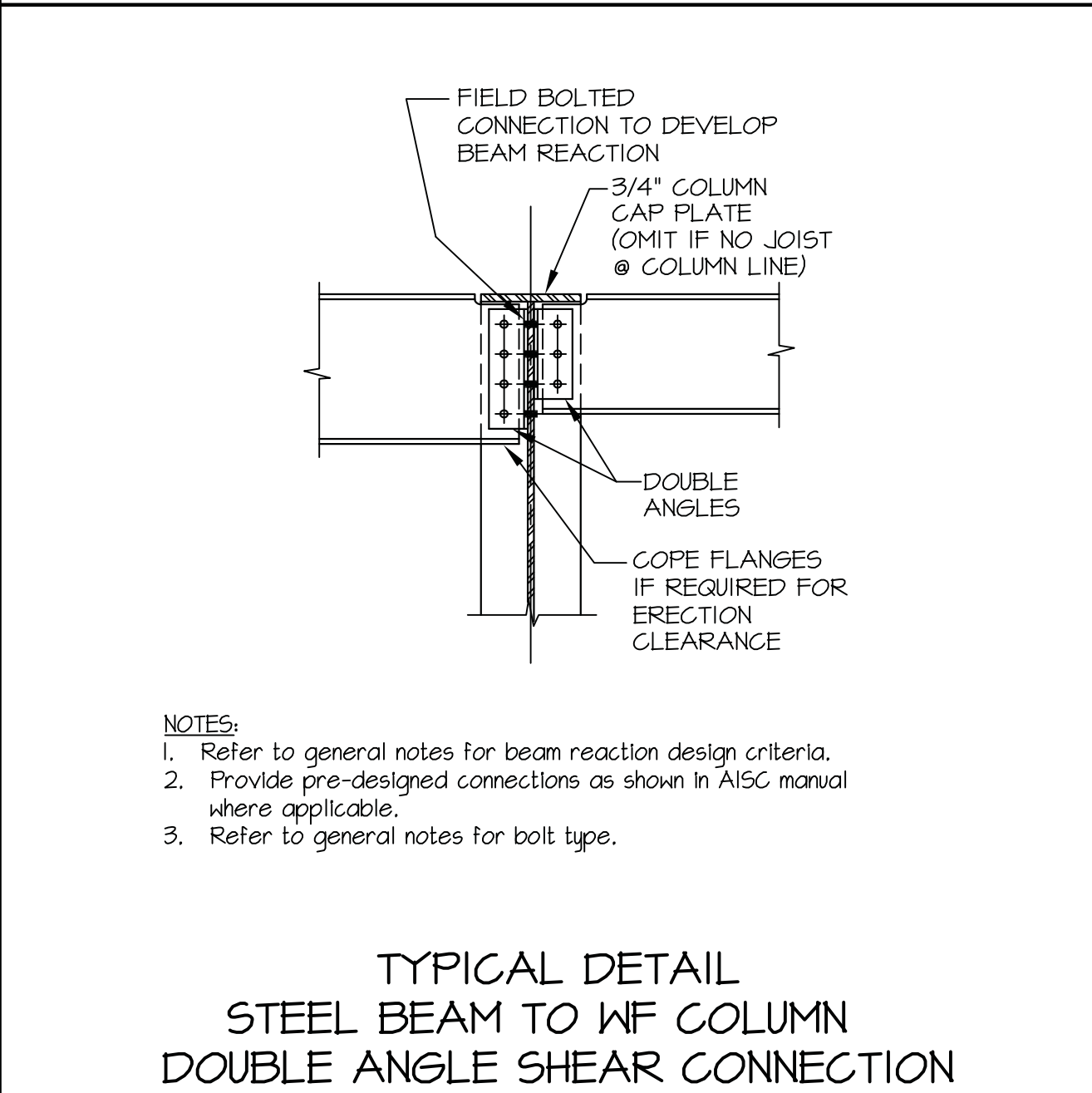
SCALE: 3/4" = 1'-0"

3



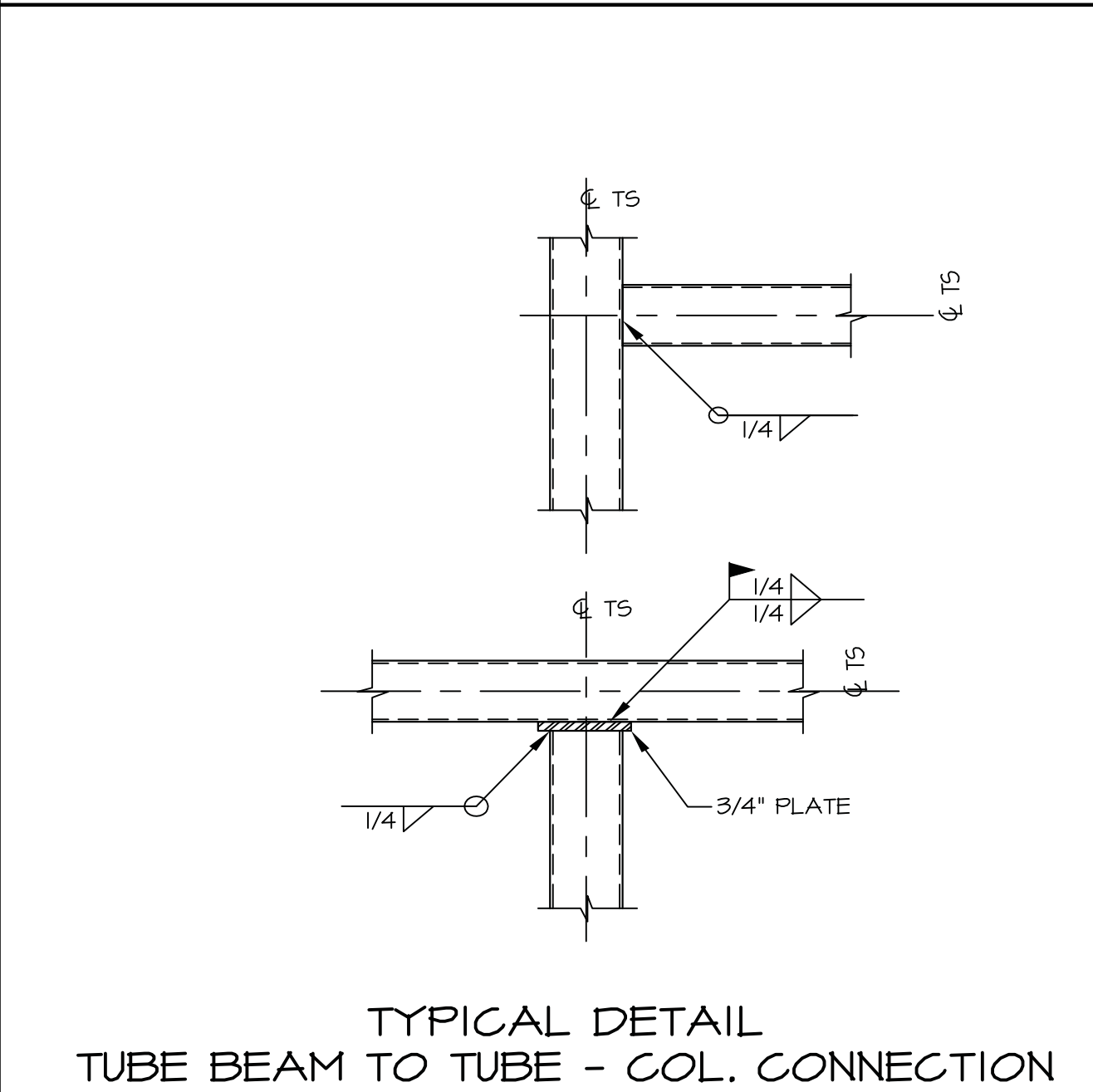
SCALE: 3/4" = 1'-0"

10



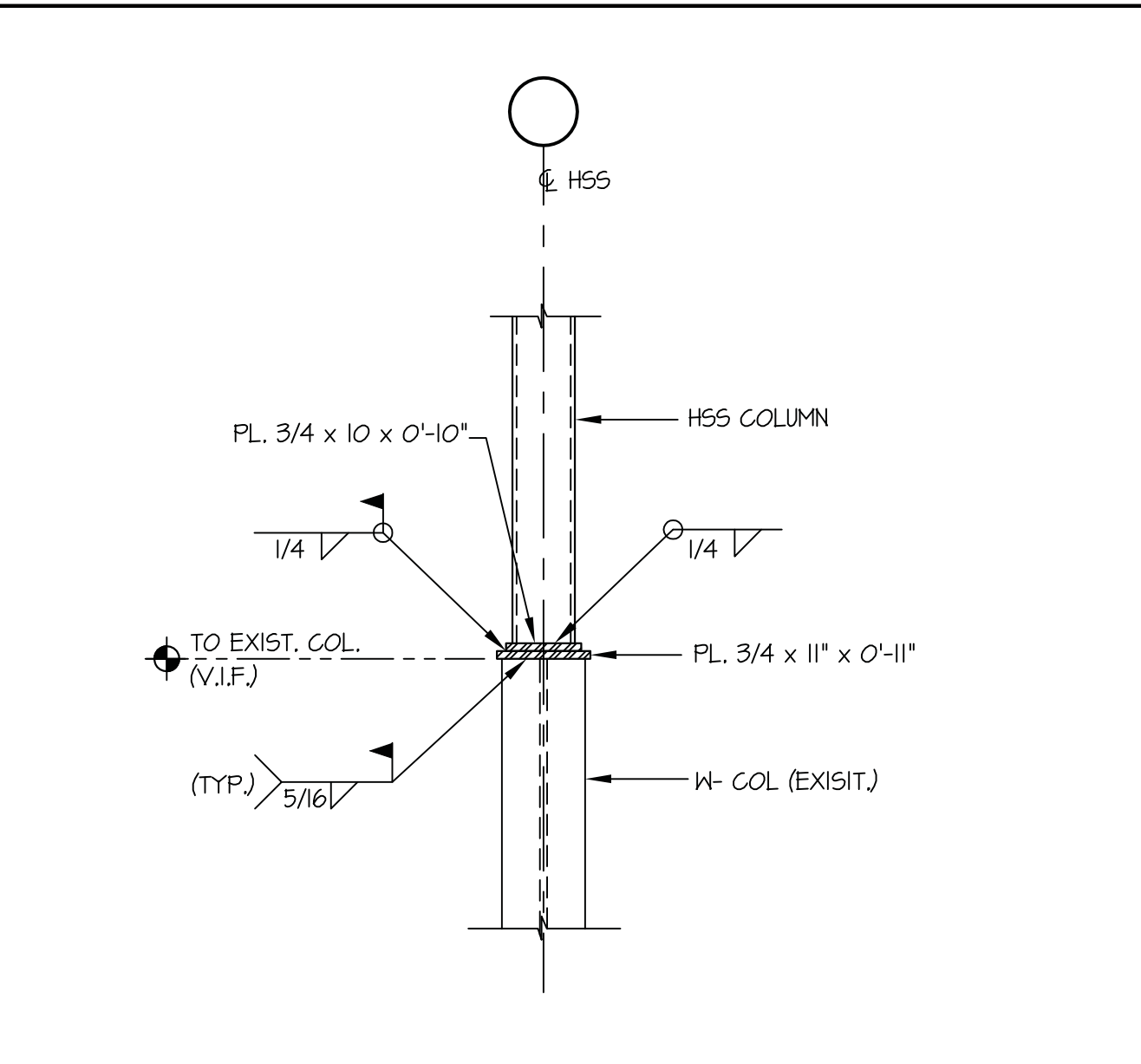
SCALE: 3/4" = 1'-0"

6



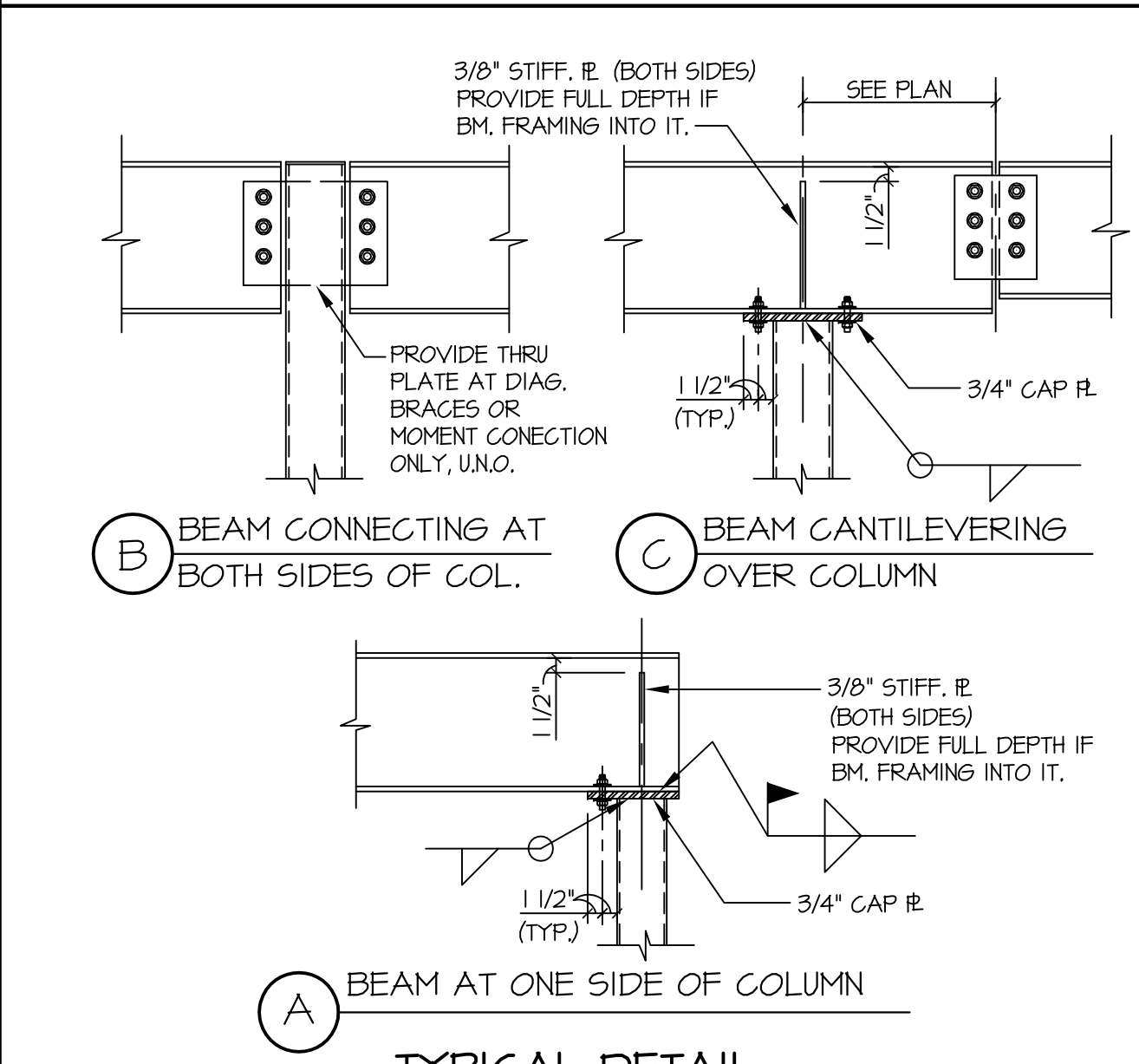
SCALE: 3/4" = 1'-0"

2



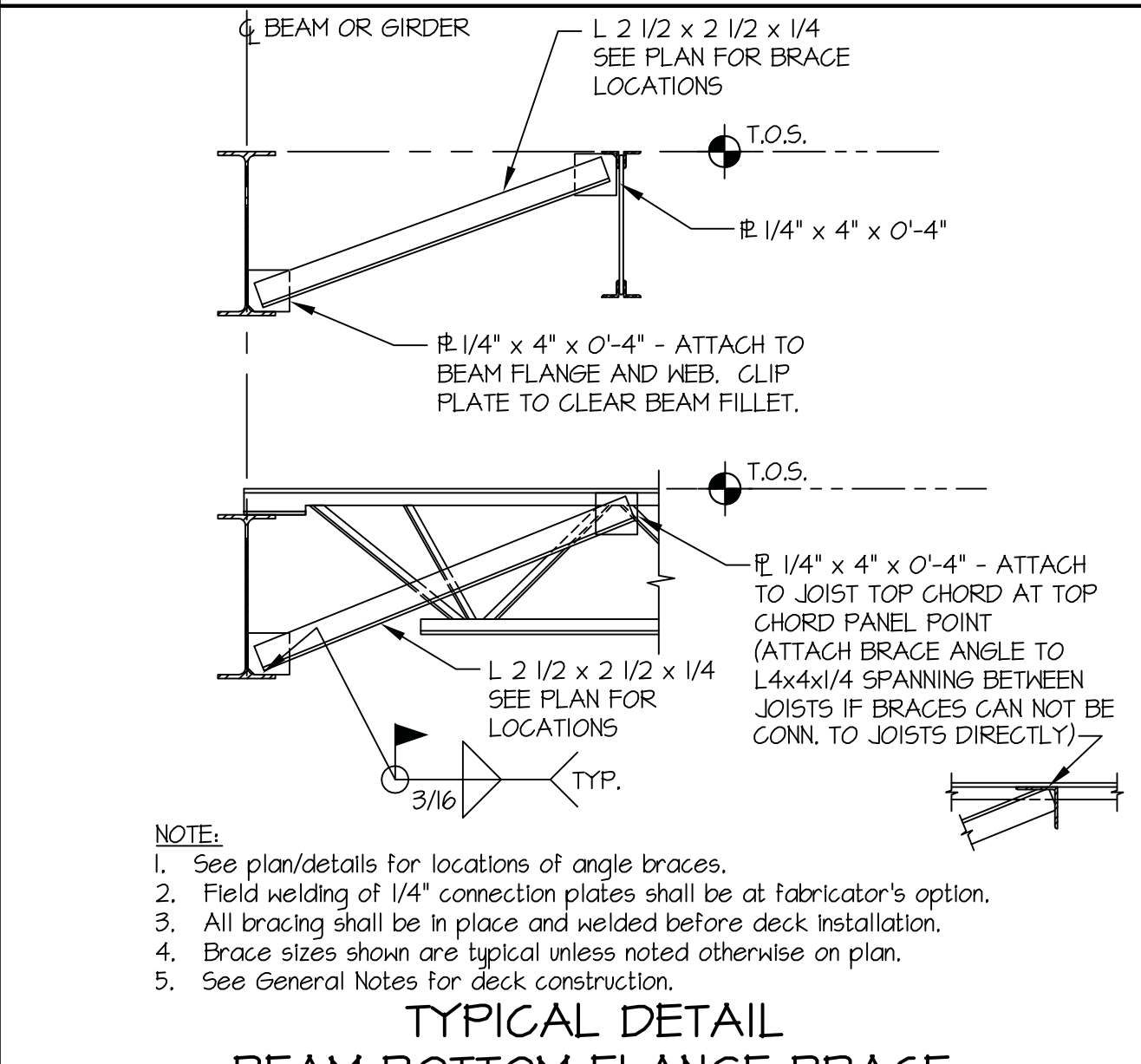
SCALE: 3/4" = 1'-0"

9



SCALE: 3/4" = 1'-0"

5



SCALE: 3/4" = 1'-0"

1