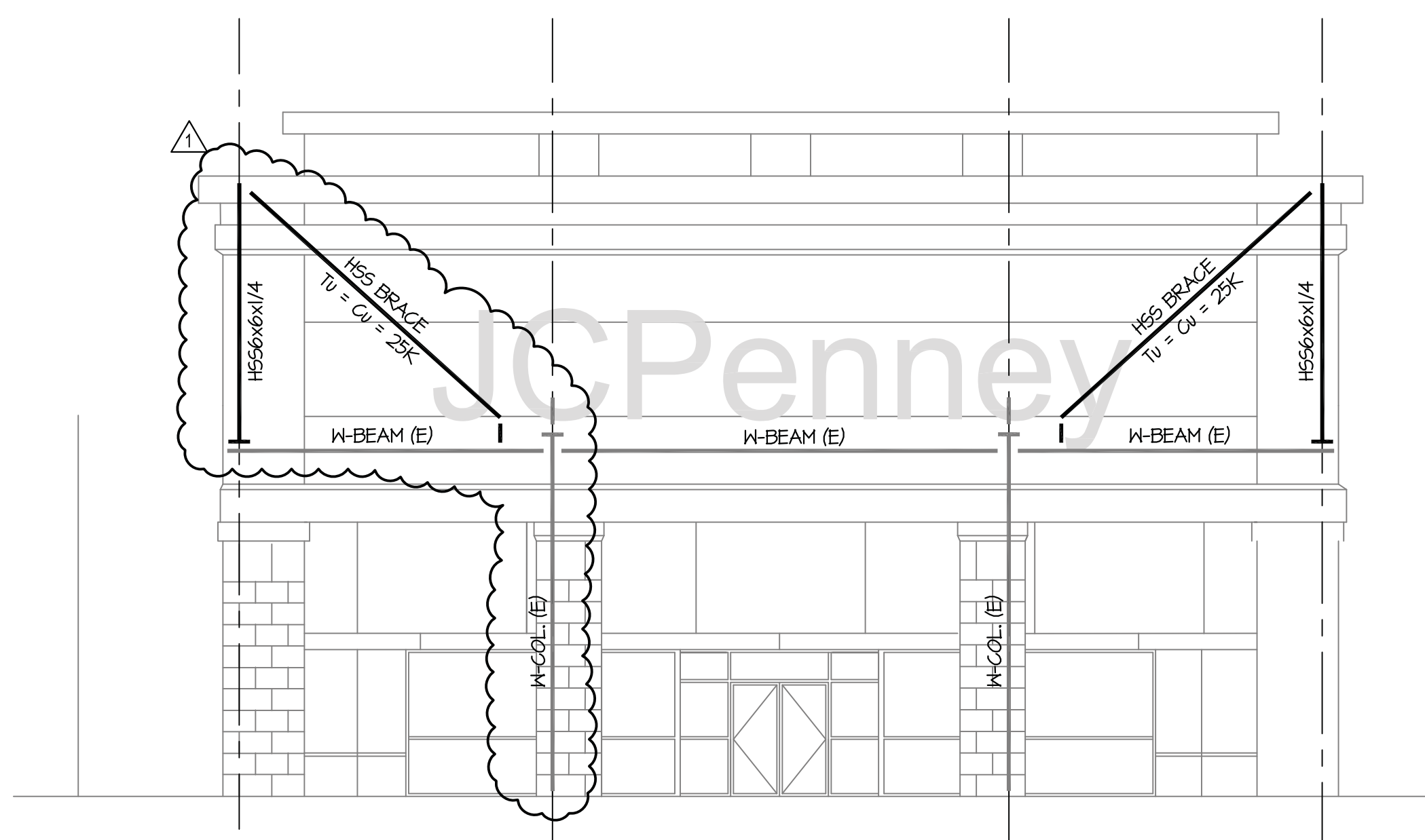
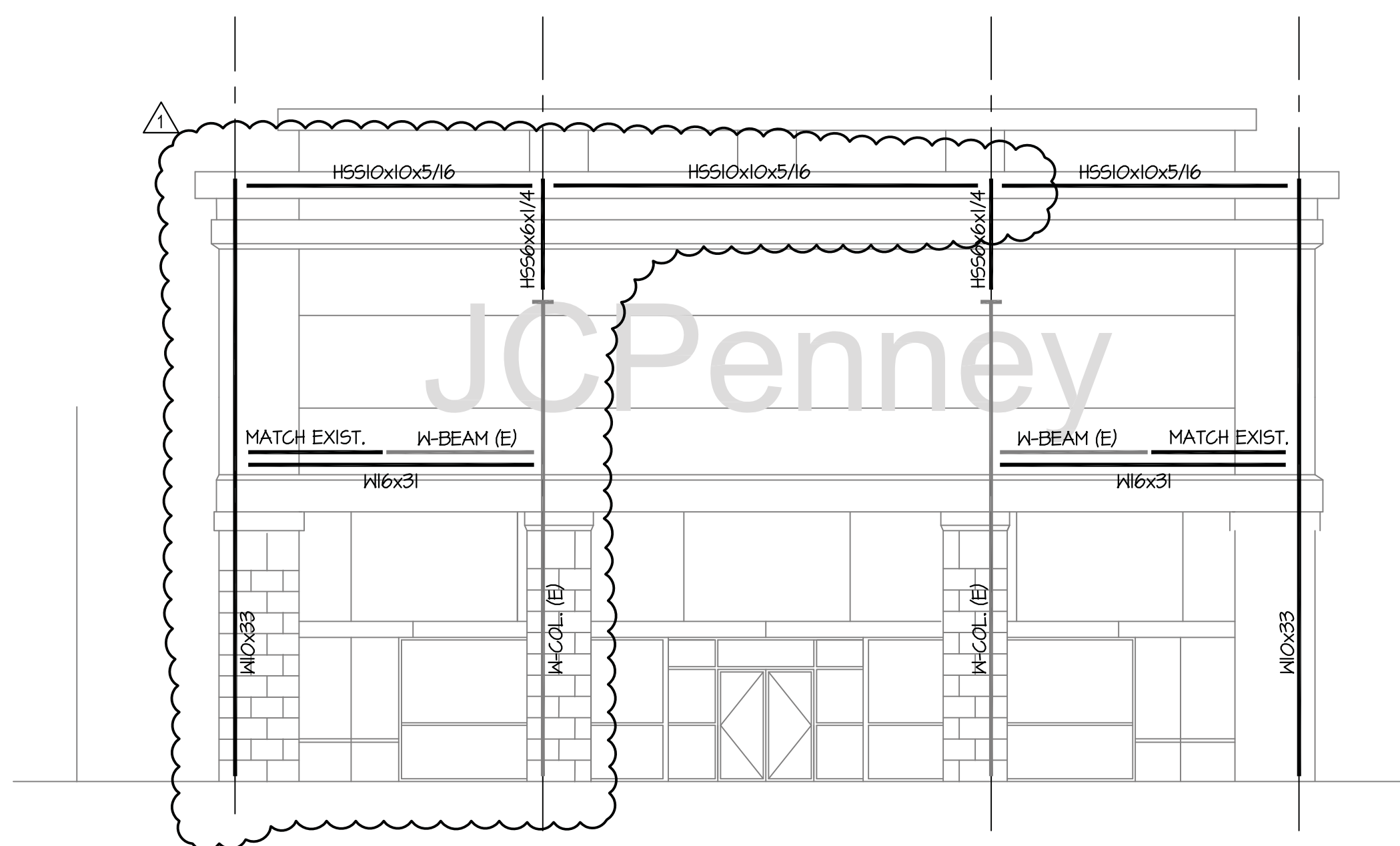


**11 SIDE BRACE ELEVATION**  
SCALE: 1/8" = 1'-0"



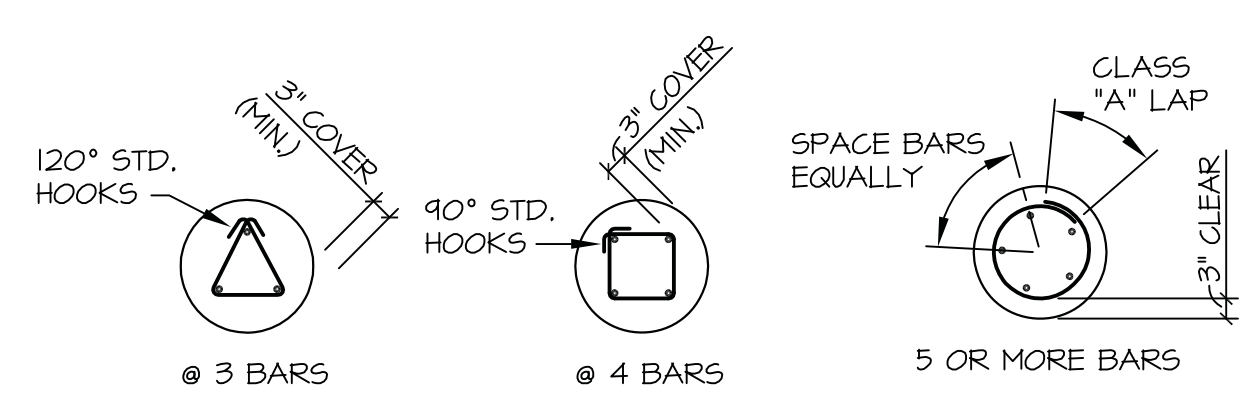
**10 FRONT BRACE ELEVATION**  
SCALE: 1/8" = 1'-0"



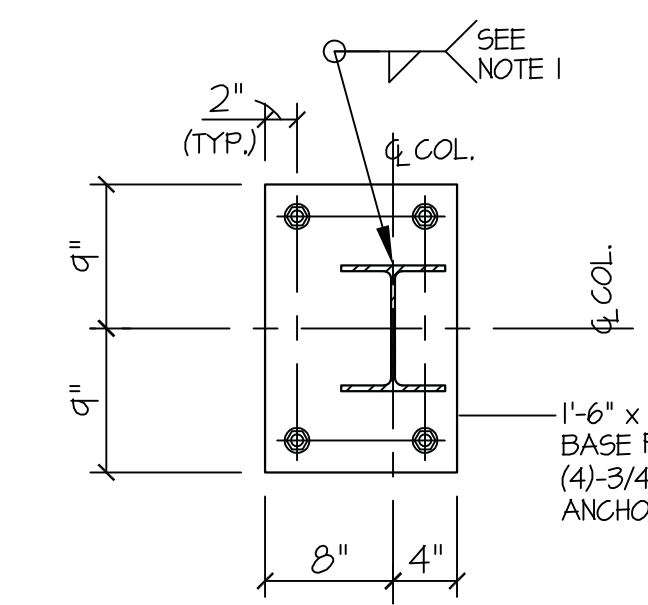
**9 FRONT BRACE ELEVATION**  
SCALE: 1/8" = 1'-0"

**DRILLED PIER VERTICAL REINFORCEMENT SCHEDULE**

SHAFT DIAMETER (INCHES)	VERTICAL REINFORCEMENT	TIES (USE #3 @ 12" U.N.O.)
12	3 - #5	
14, 16	4 - #5	
18, 20	4 - #6	
22, 24, 26	5 - #7	

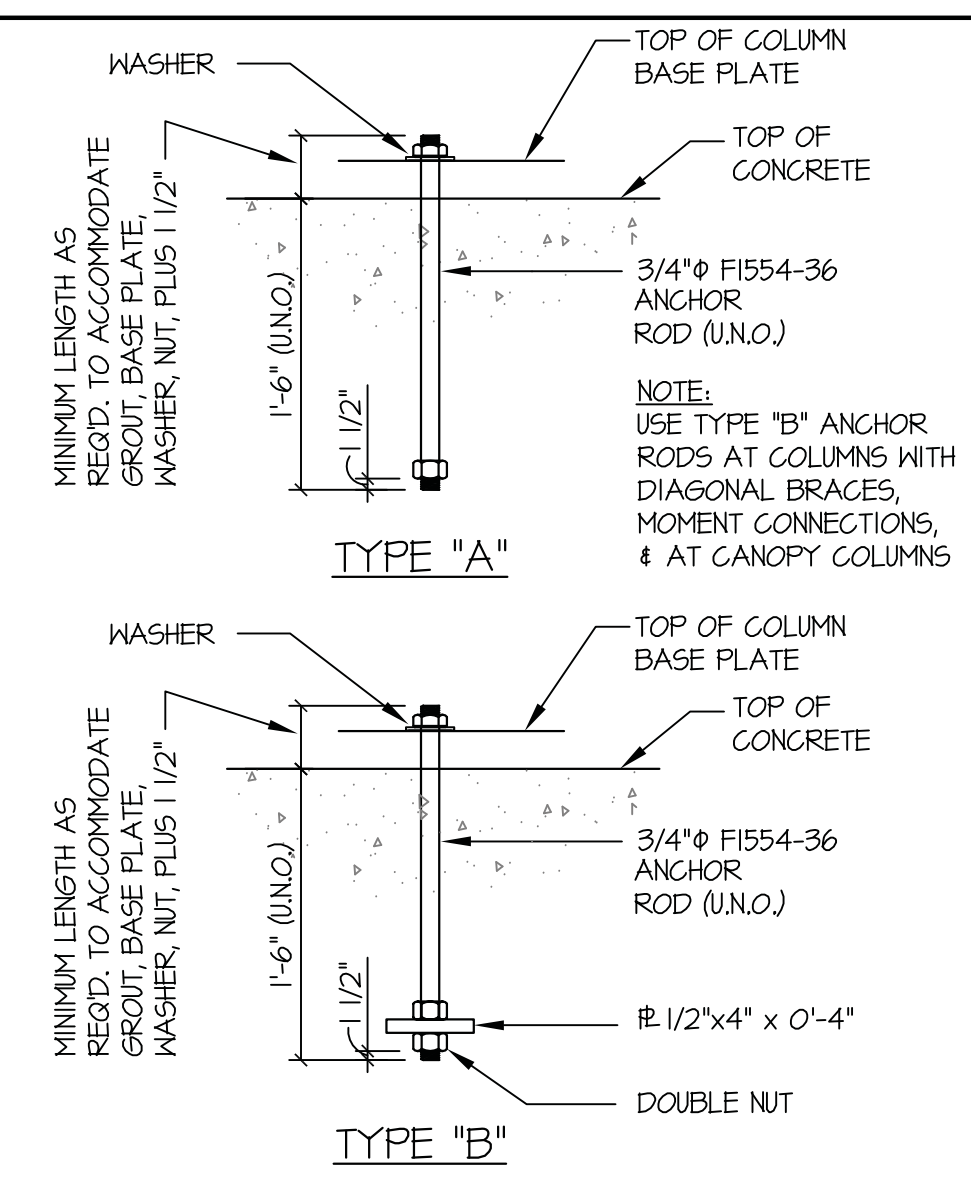


**SHAFT BAR PLACEMENT PLANS**

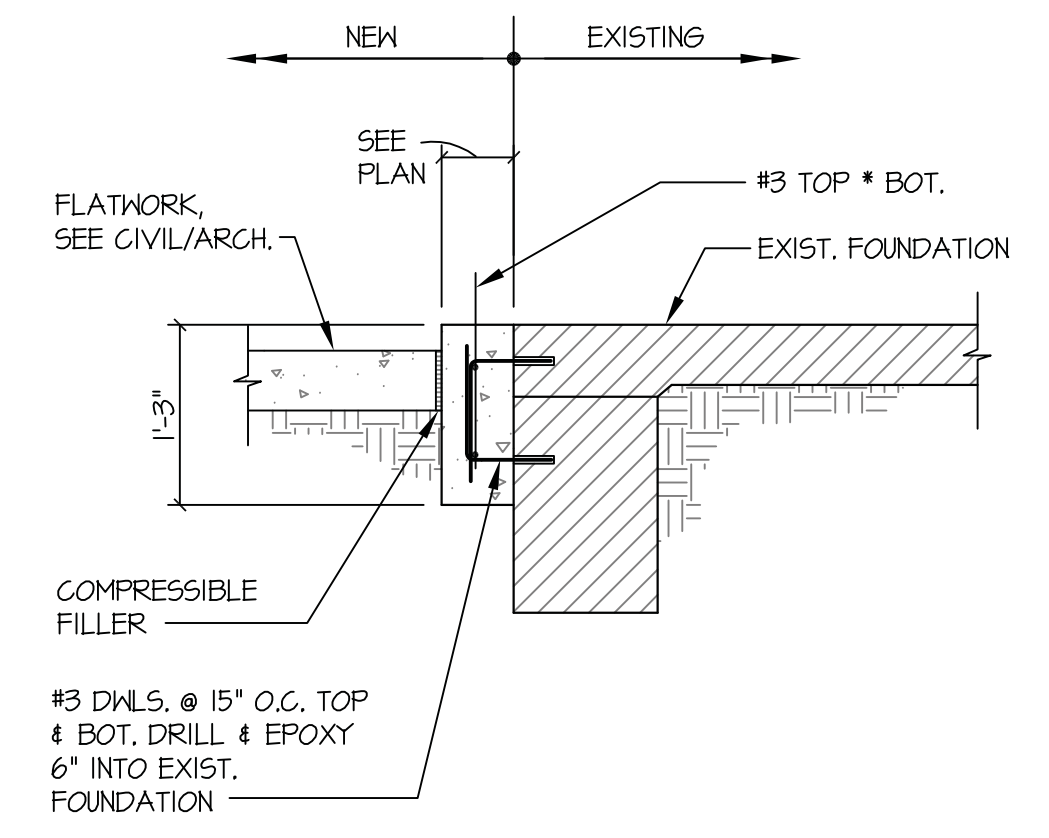


- NOTES:**
- Minimum fillet weld according to AISC, (1/4" min).
  - Use oversized holes for anchor bolts according to AISC.
  - Washers shall be installed over oversized holes.
  - Contractor shall provide 1/8" thick template for anchor bolt installation.
  - All base plates shall be hot-dipped galvanized.

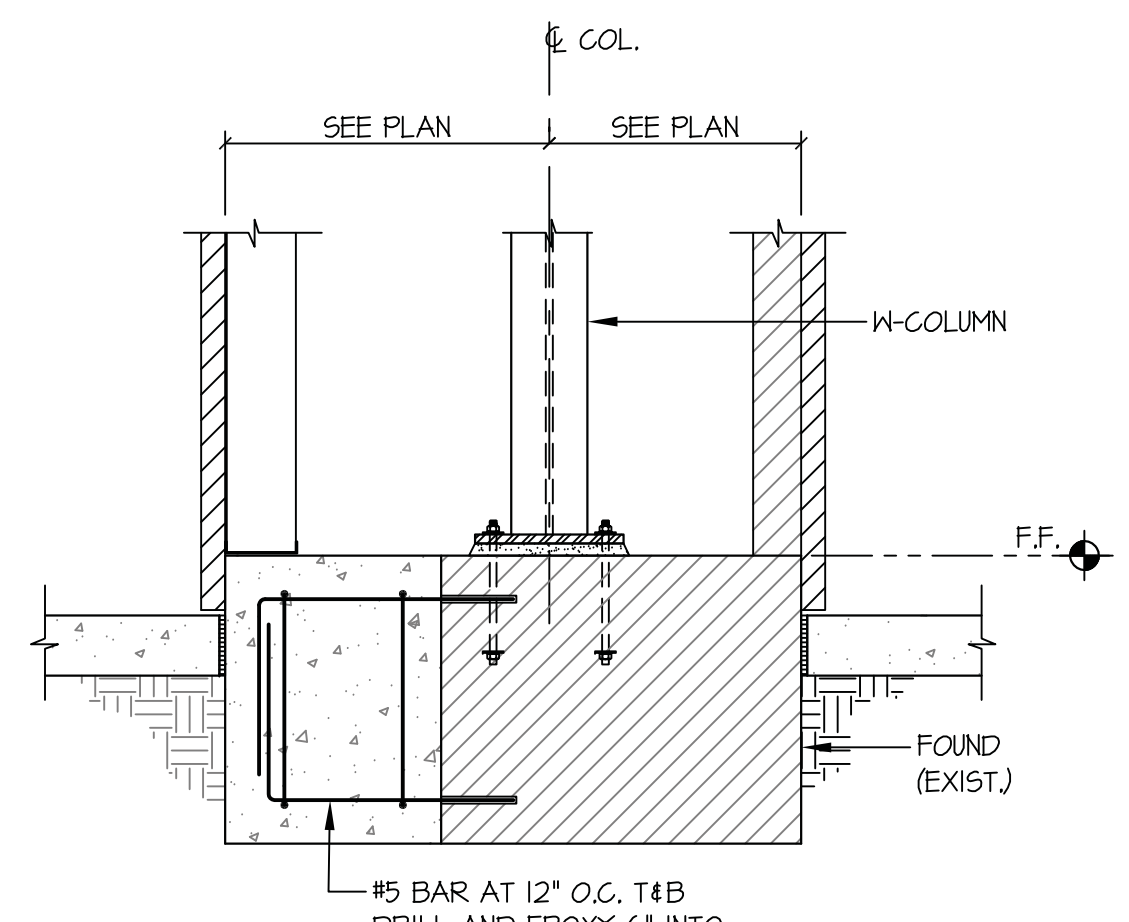
**TYPICAL DETAIL  
BASE PLATE AT NEW WIDE FLANGE CANOPY COLUMNS**



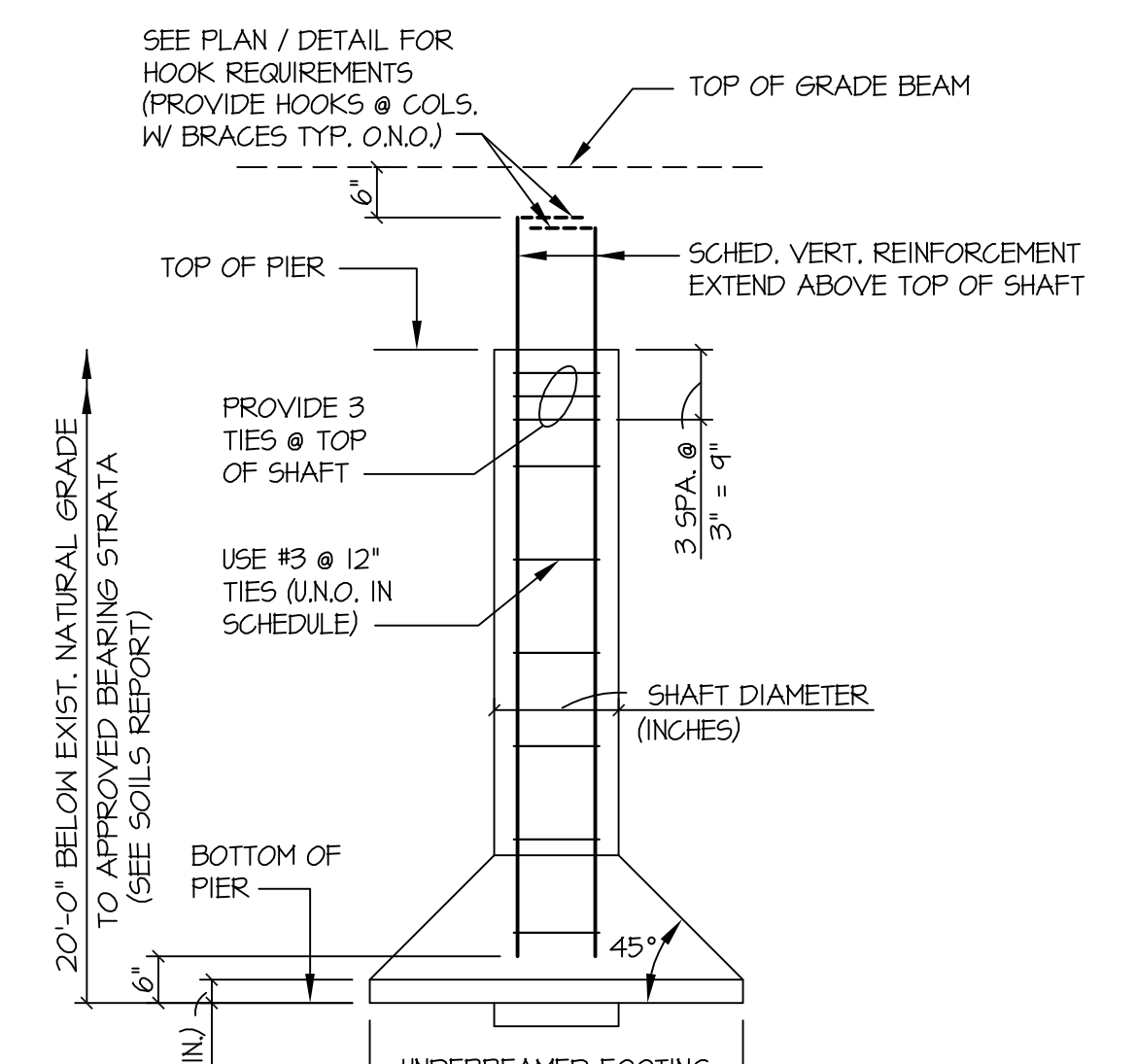
**TYPICAL DETAIL  
ANCHOR ROD**



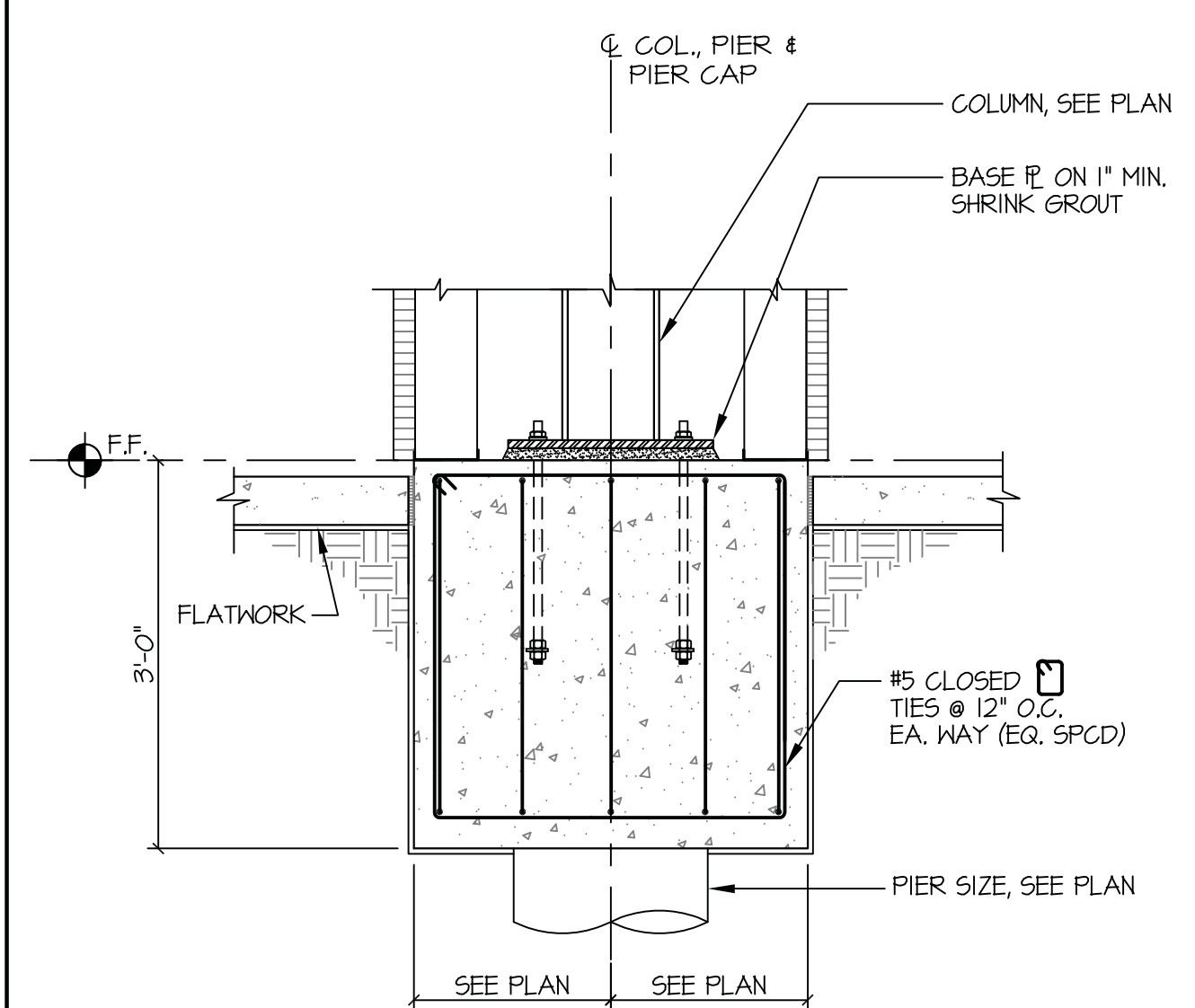
**FOUNDATION AT PILASTER**



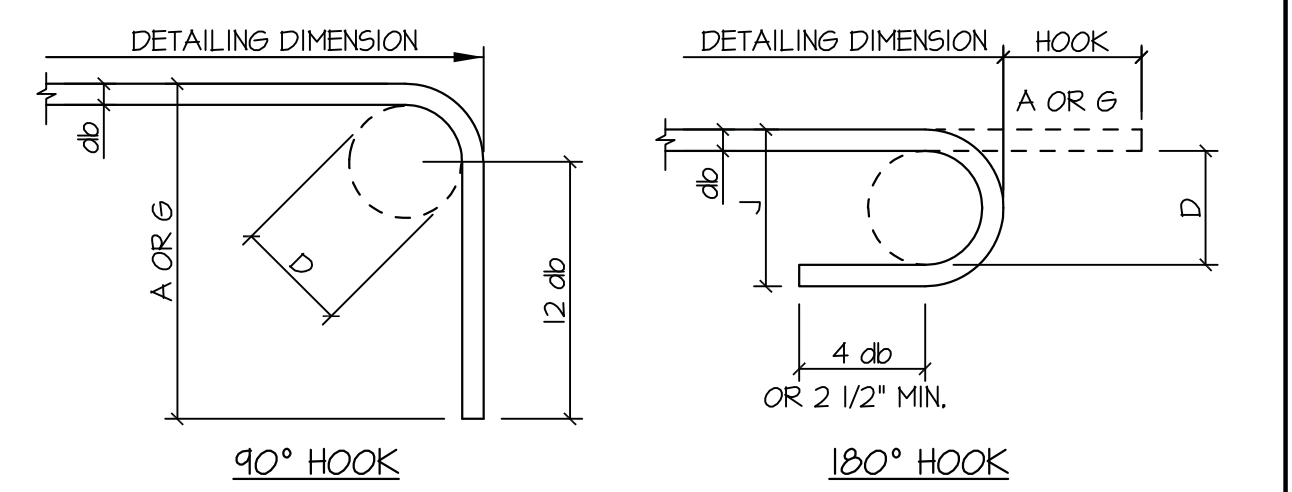
**FOOTING AT EXISTING FOUNDATION**



**TYPICAL DETAIL  
DRILLED PIER**



**PIER CAP AT CANOPY COLUMNS**



**RECOMMENDED END HOOKS, ALL GRADES**

BAR SIZE	FINISHED BEND DIAMETER D, (IN)	180° HOOKS		90° HOOKS	
		A OR G, (IN)	J, (IN)	A OR G, (IN)	H, (IN)
#3	2 1/4	5	3	6	6
#4	3	6	4	8	8
#5	3 3/4	7	5	10	10
#6	4 1/2	8	6	12	12
#7	5 1/4	10	7	14	14
#8	6	11	8	16	16

D = INSIDE DIAMETER OF BEND

**END HOOK TYPES**

SCALE: 3/4" = 1'-0" 20

SCALE: 3/4" = 1'-0" 19

SCALE: 3/4" = 1'-0" 18

SCALE: 3/4" = 1'-0" 17