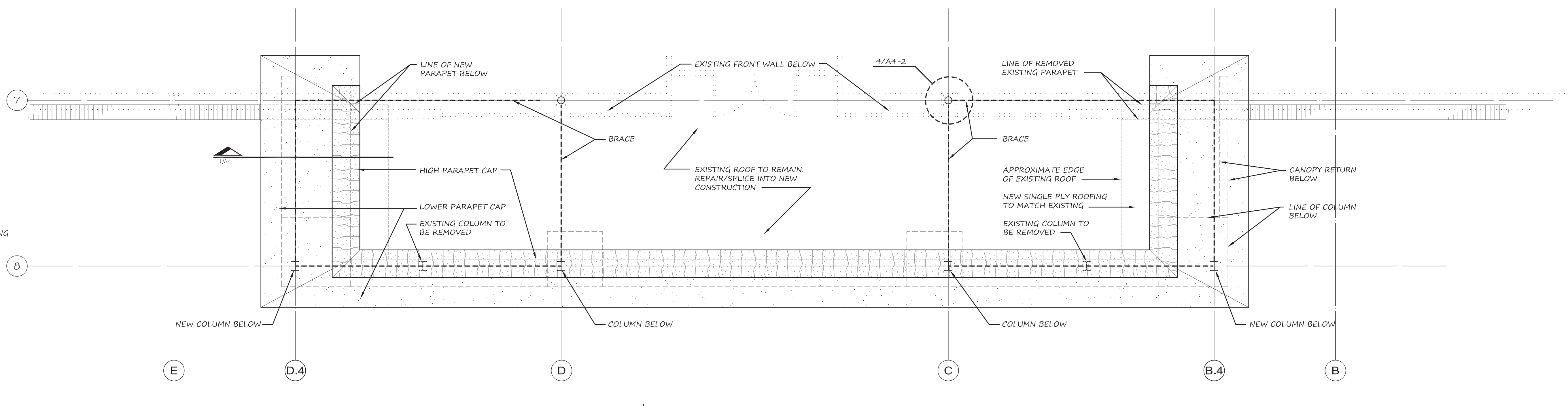
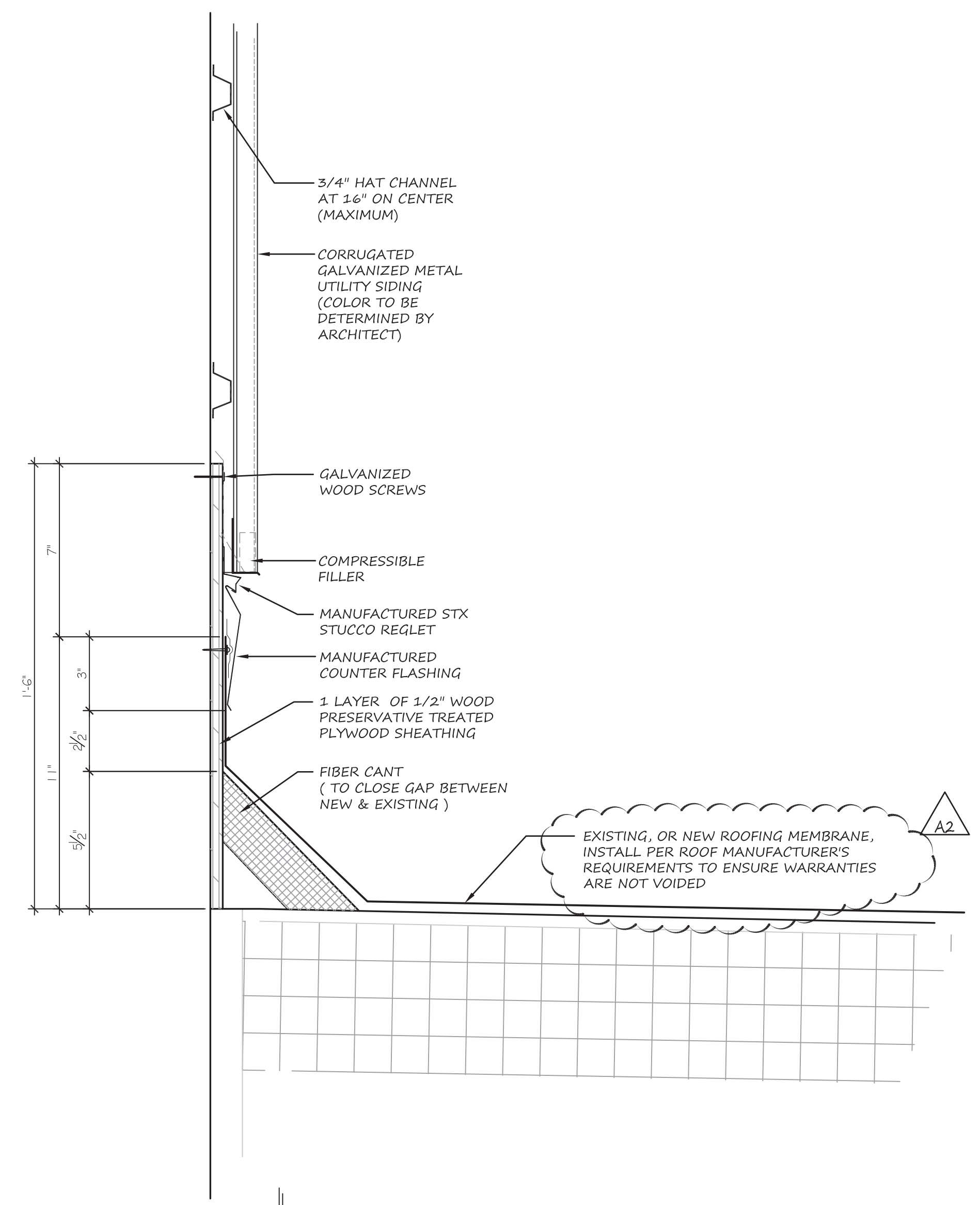


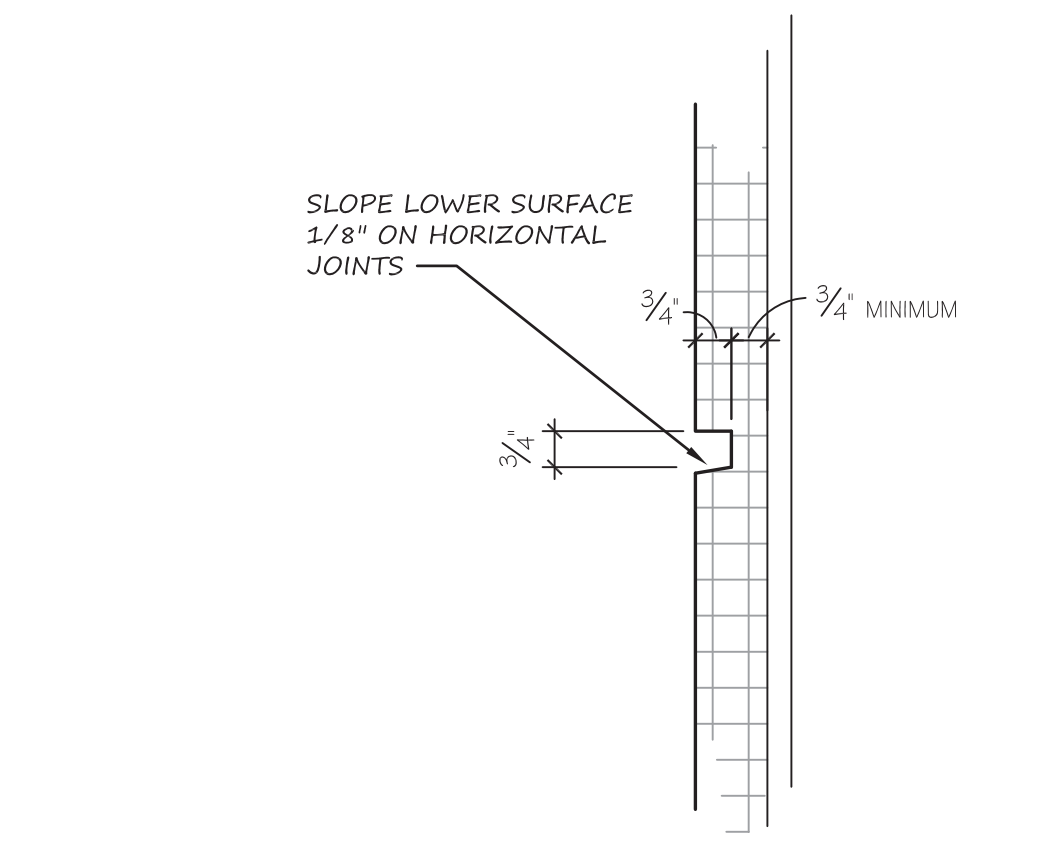
4 PENETRATION DETAIL
A4-2 SCALE: 3" = 1'-0"



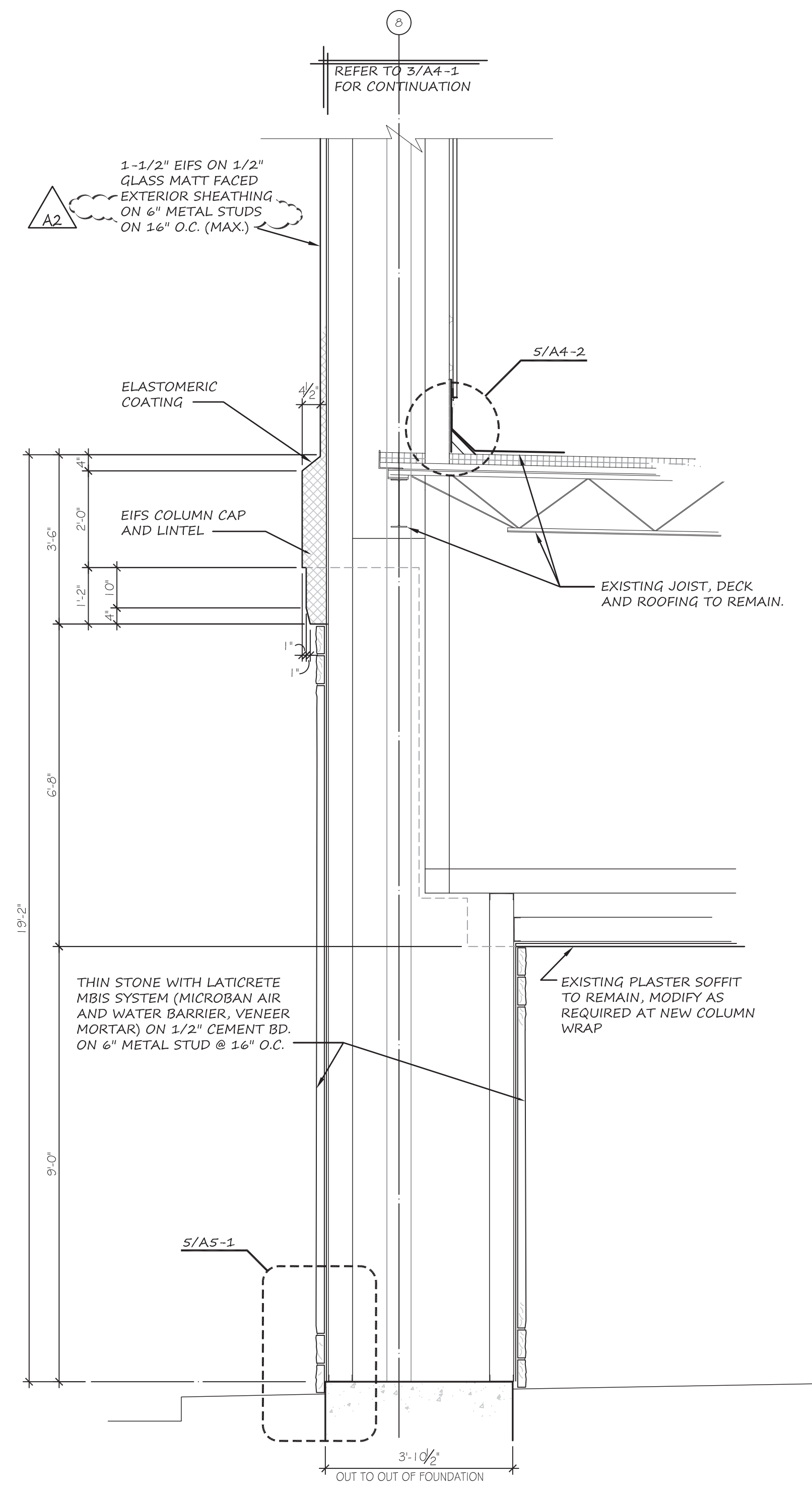
1 PARTIAL ROOF/PARAPET PLAN
A4-2 SCALE: 1/4" = 1'-0"



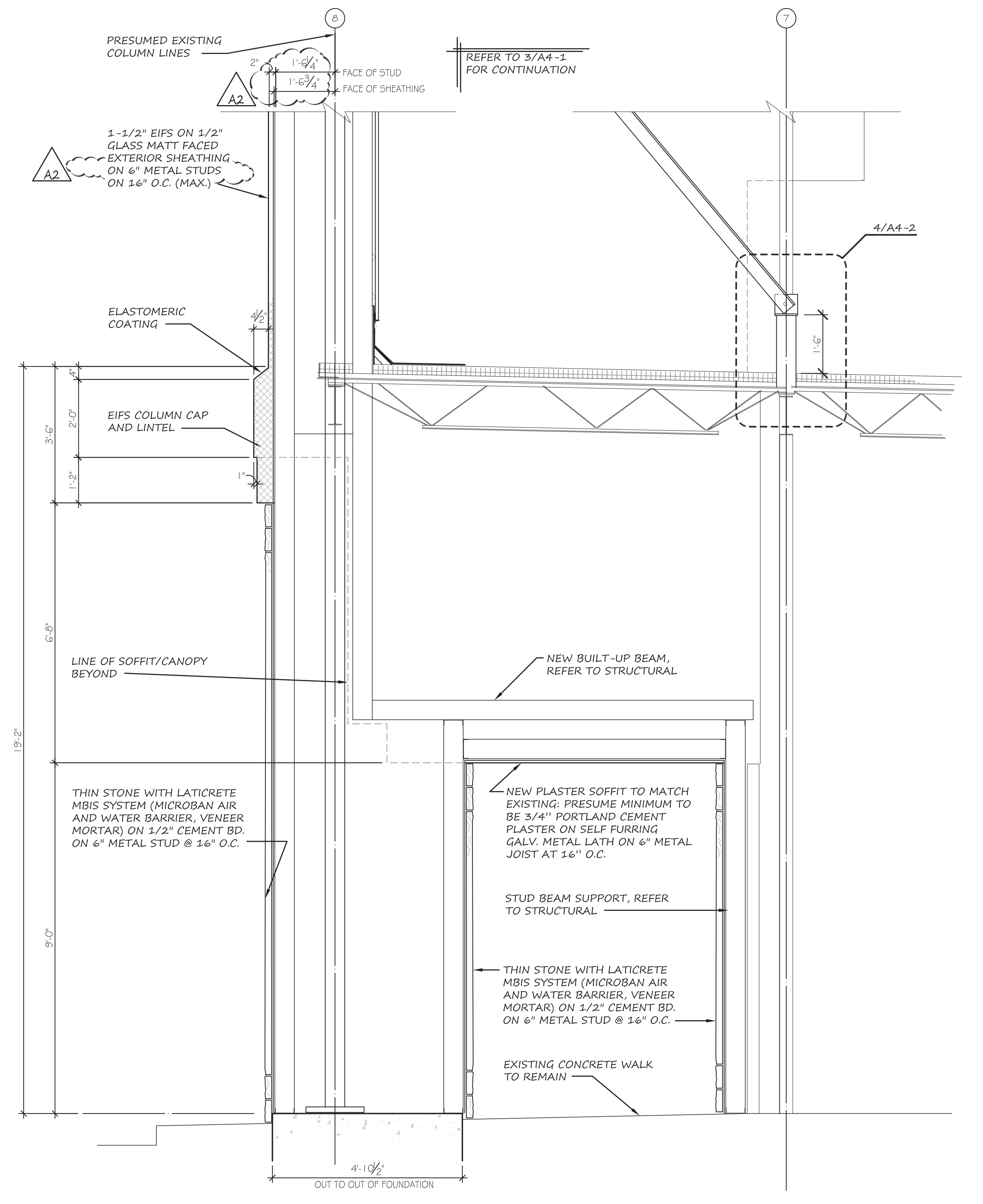
5 TYPICAL ROOF FLASHING DETAIL
A4-2 SCALE: 3" = 1'-0"



6 TYPICAL JOINT DETAIL
A4-2 SCALE: 3" = 1'-0"



2 PROPOSED CANOPY SECTION
A4-2 SCALE: 1/2" = 1'-0"



3 PROPOSED CANOPY SECTION
A4-2 SCALE: 1/2" = 1'-0"

Z:\18-12-000-CRM\02-DRAWINGS\03-PLAN\WALL SECTIONS & PARTIAL ROOF PLAN.DWG 10/20/2015 2:54:05 PM RW