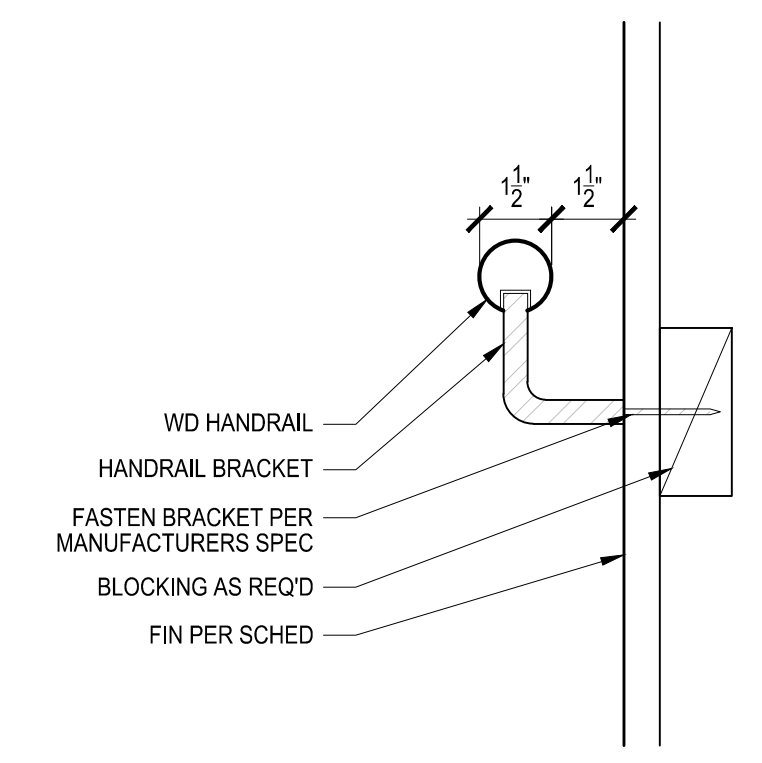
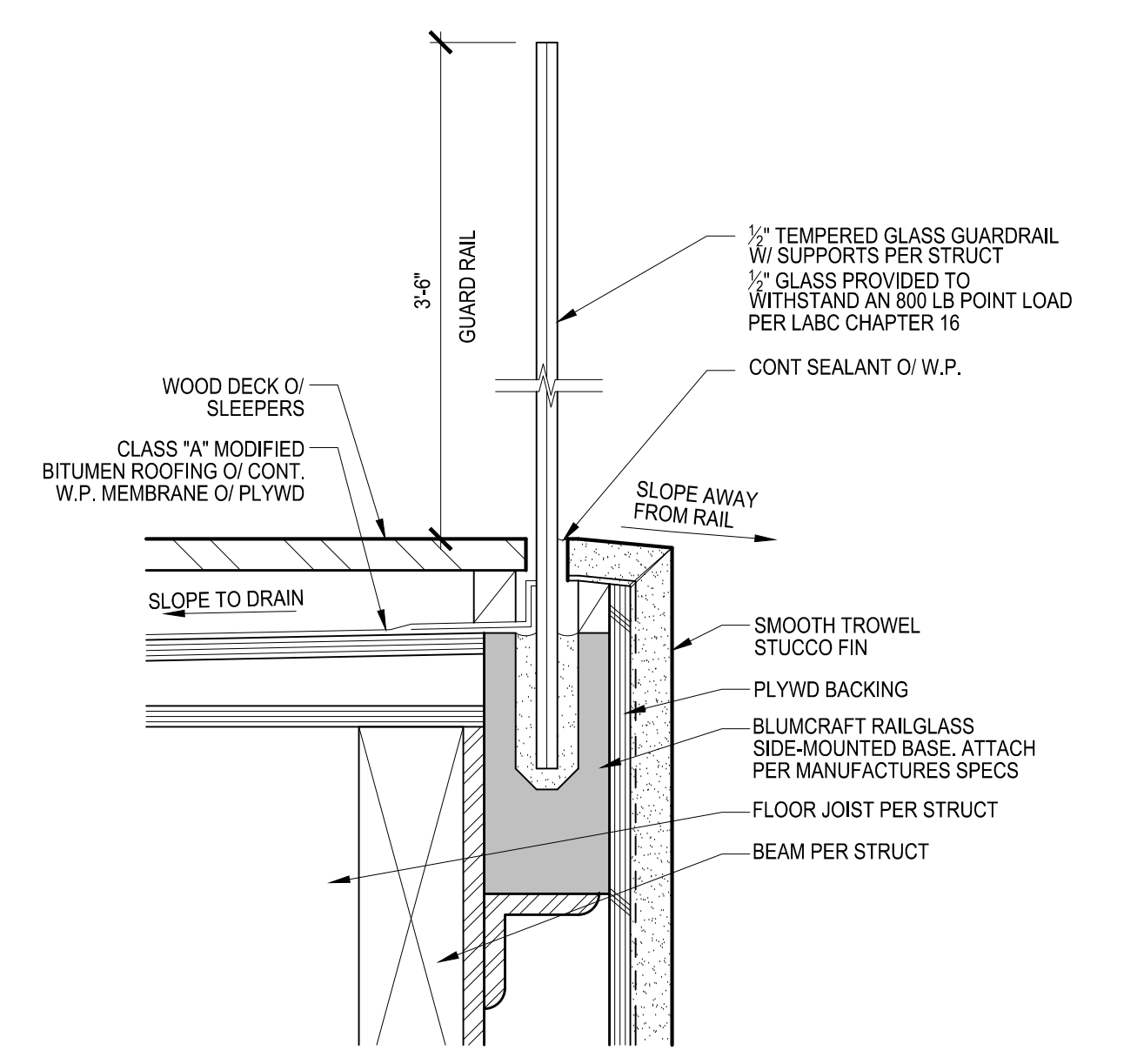


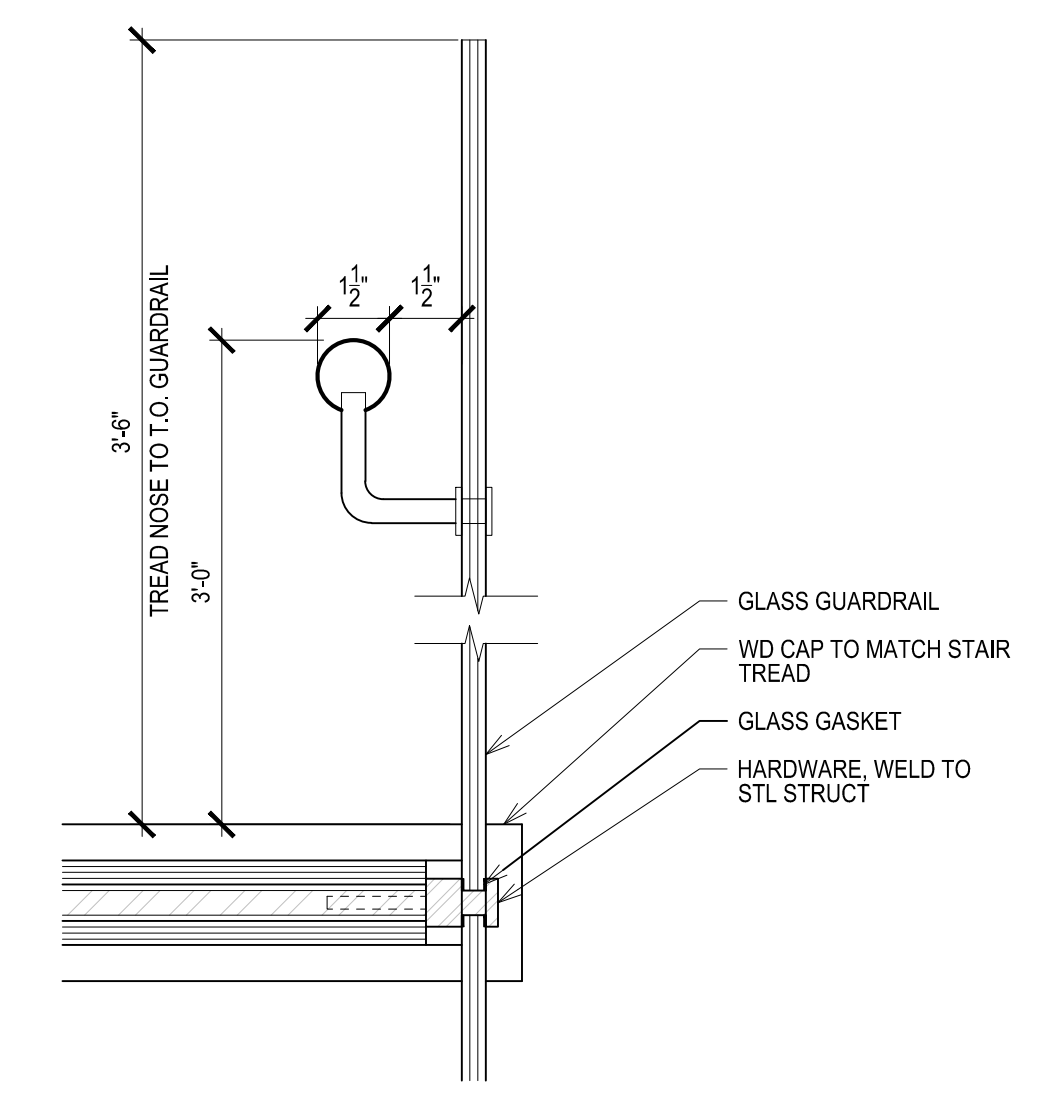
**ROOF DECK GLASS GUARDRAIL** ⑥  
 SCALE: 3"=1'-0"



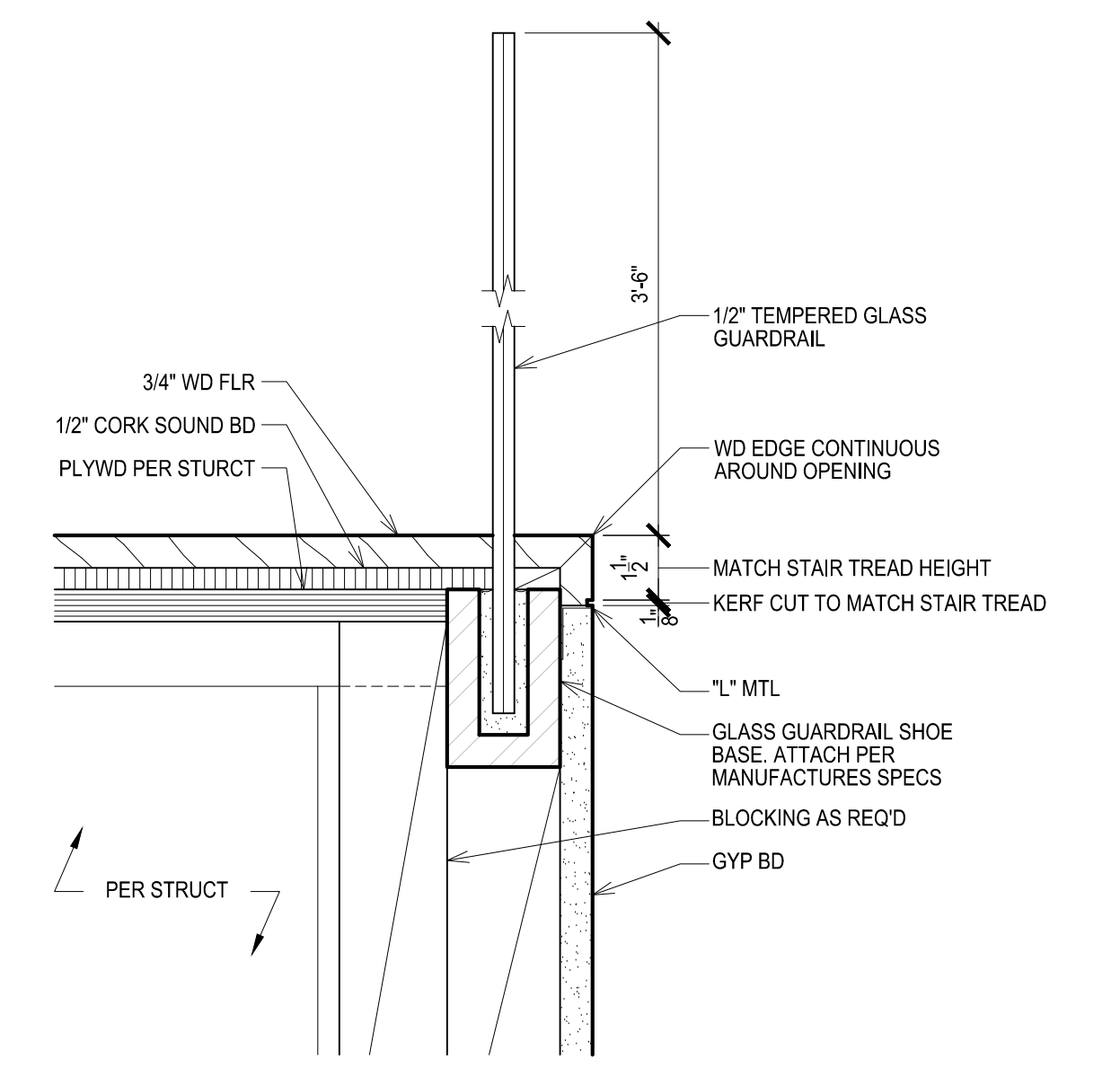
**HANDRAIL DETAIL, TYP** ③  
 SCALE: 3"=1'-0"



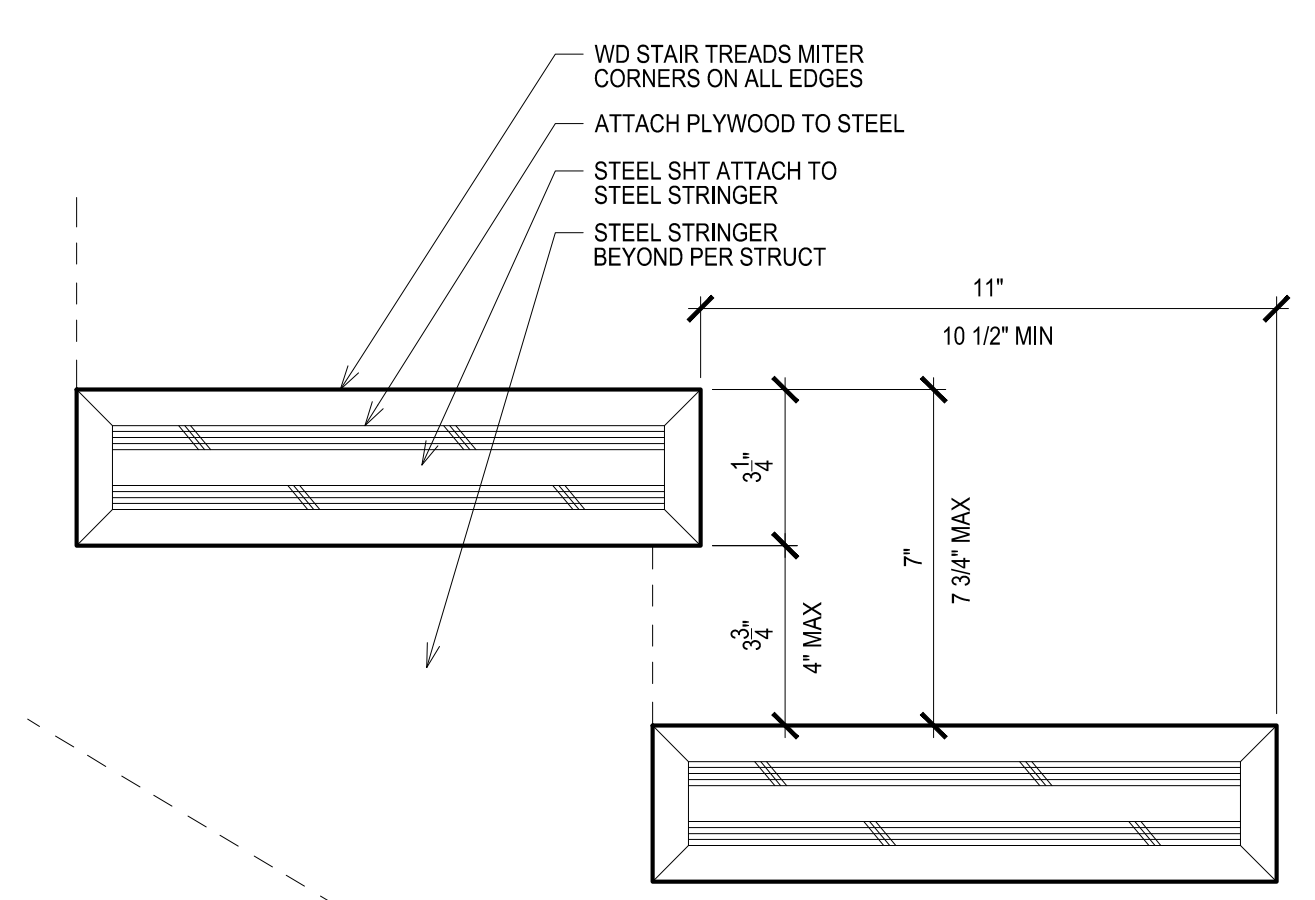
**EXTERIOR GLASS GUARDRAIL** ⑤  
 SCALE: 3"=1'-0"



**GUARDRAIL/HANDRAIL** ②  
 SCALE: 3"=1'-0"



**INTERIOR GLASS GUARDRAIL** ④  
 SCALE: 3"=1'-0"



**STAIR TREAD DETAIL** ①  
 SCALE: 3"=1'-0"

Rev	Description
06.15.16	Plan Check Submittal

Drawing  
**STAIR DETAILS**

Date June 15, 2016  
 Scale 3" = 1'-0"  
 Sheet

All drawings and written material appearing herein constitute original and unpublished work of BO.SHI Architects and may not be duplicated, used or disclosed without written consent of BO.SHI Architects.

Sheet  
**A8.30**