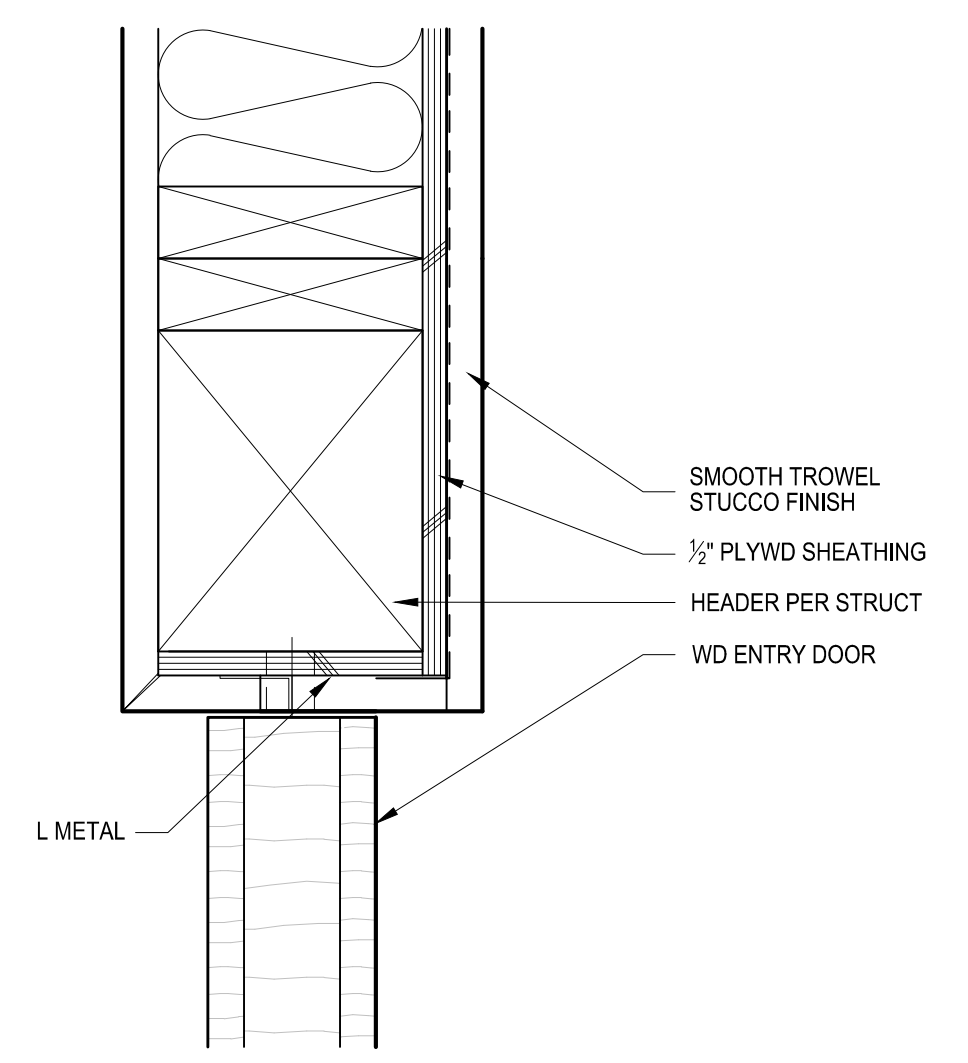
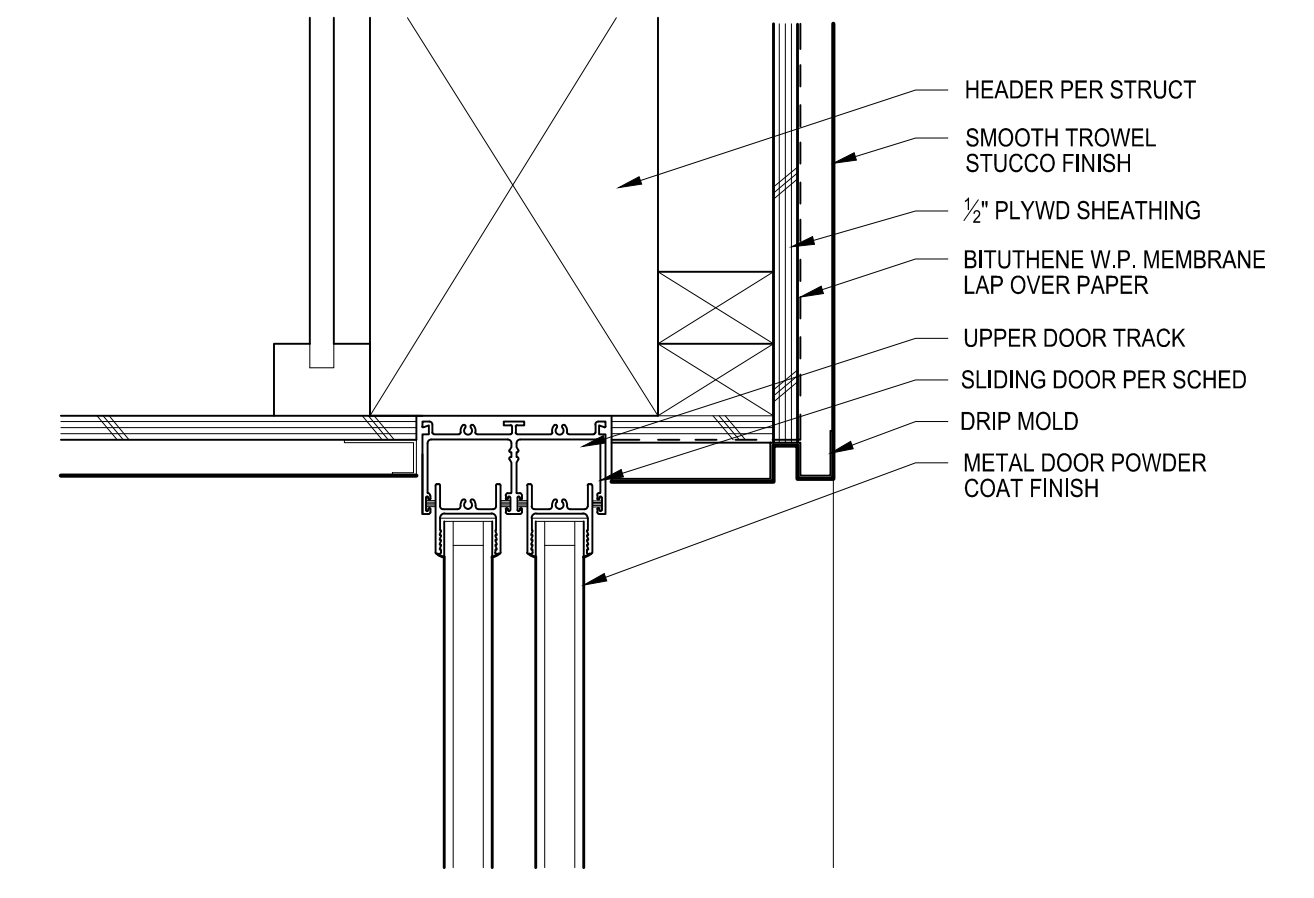


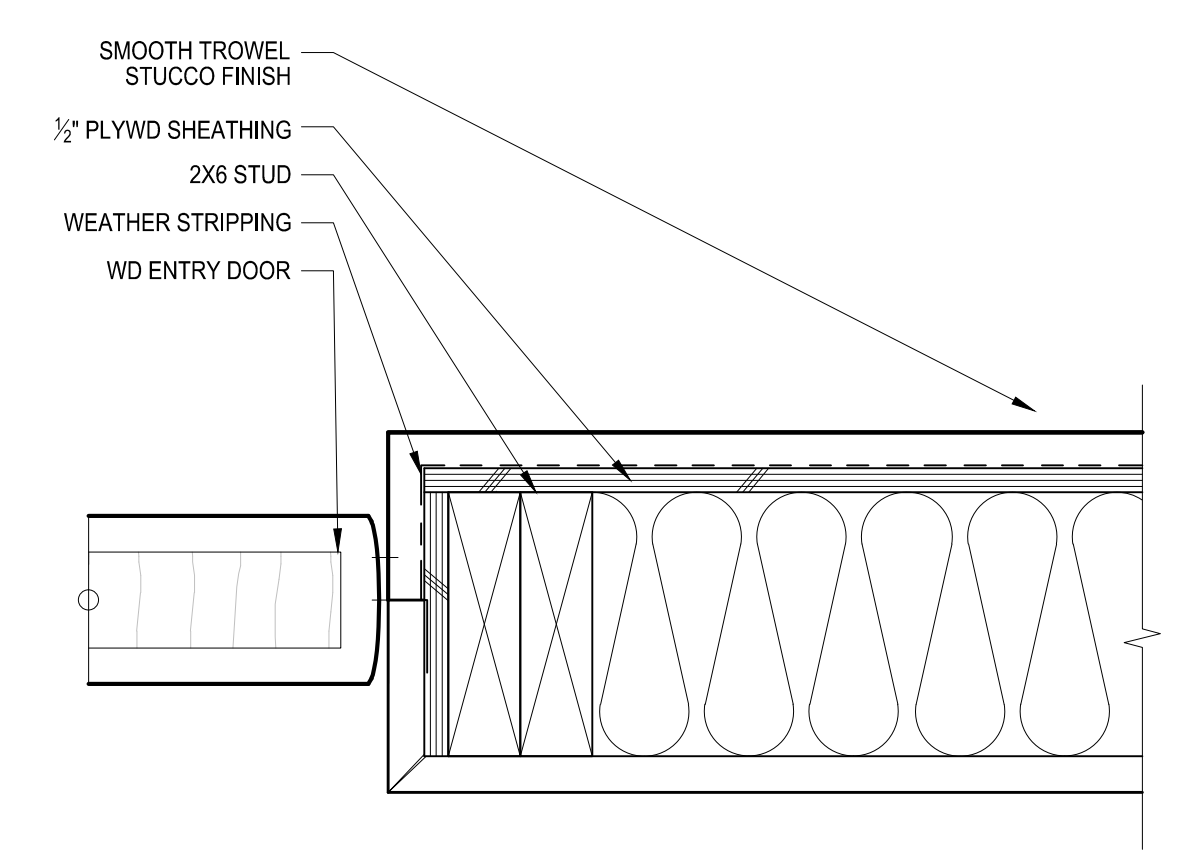
**FLASHING INSTALLATION DIAGRAM 9**  
 SCALE: 3"=1'-0"



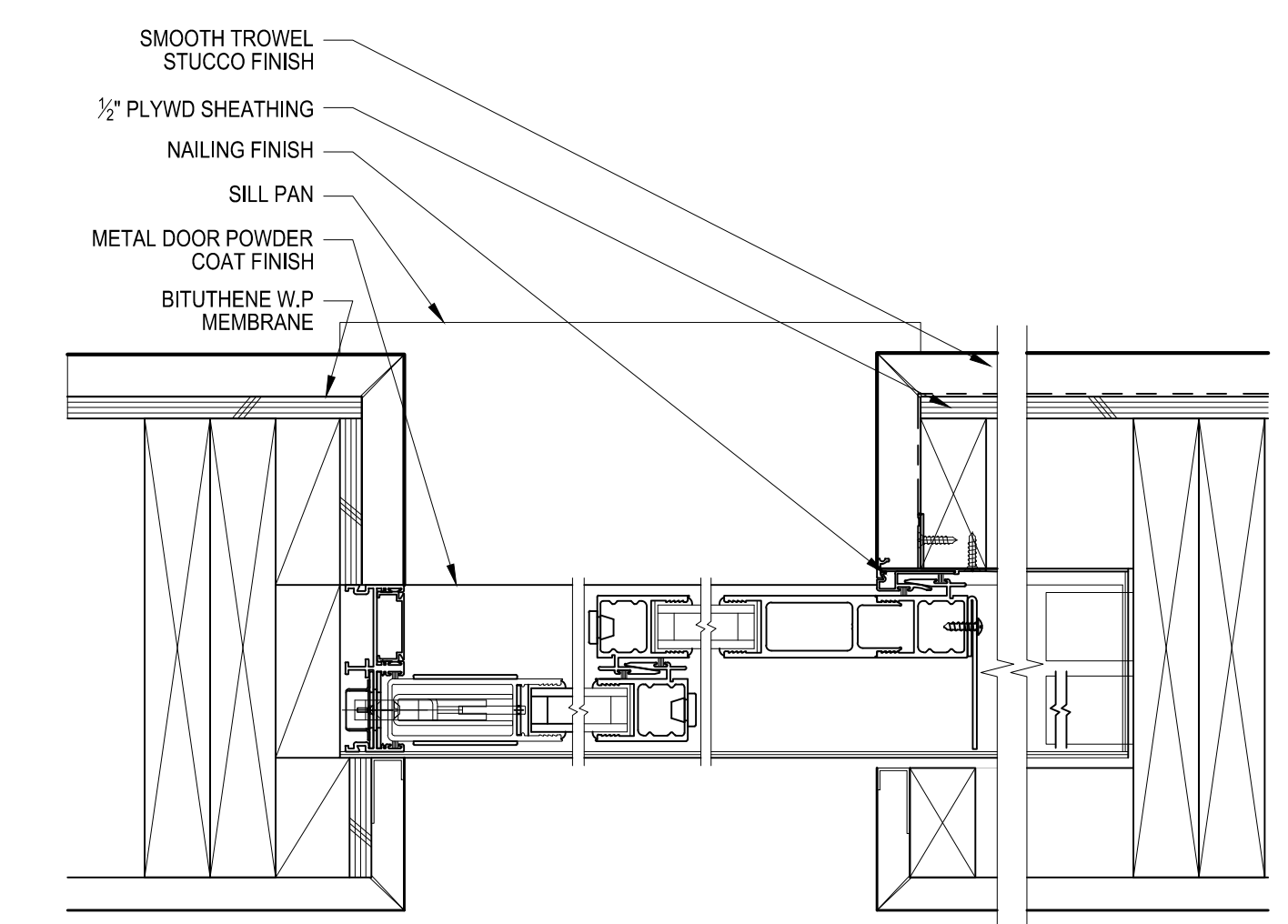
**HINGED DOOR HEAD DETAIL 6**  
 SCALE: 3"=1'-0"



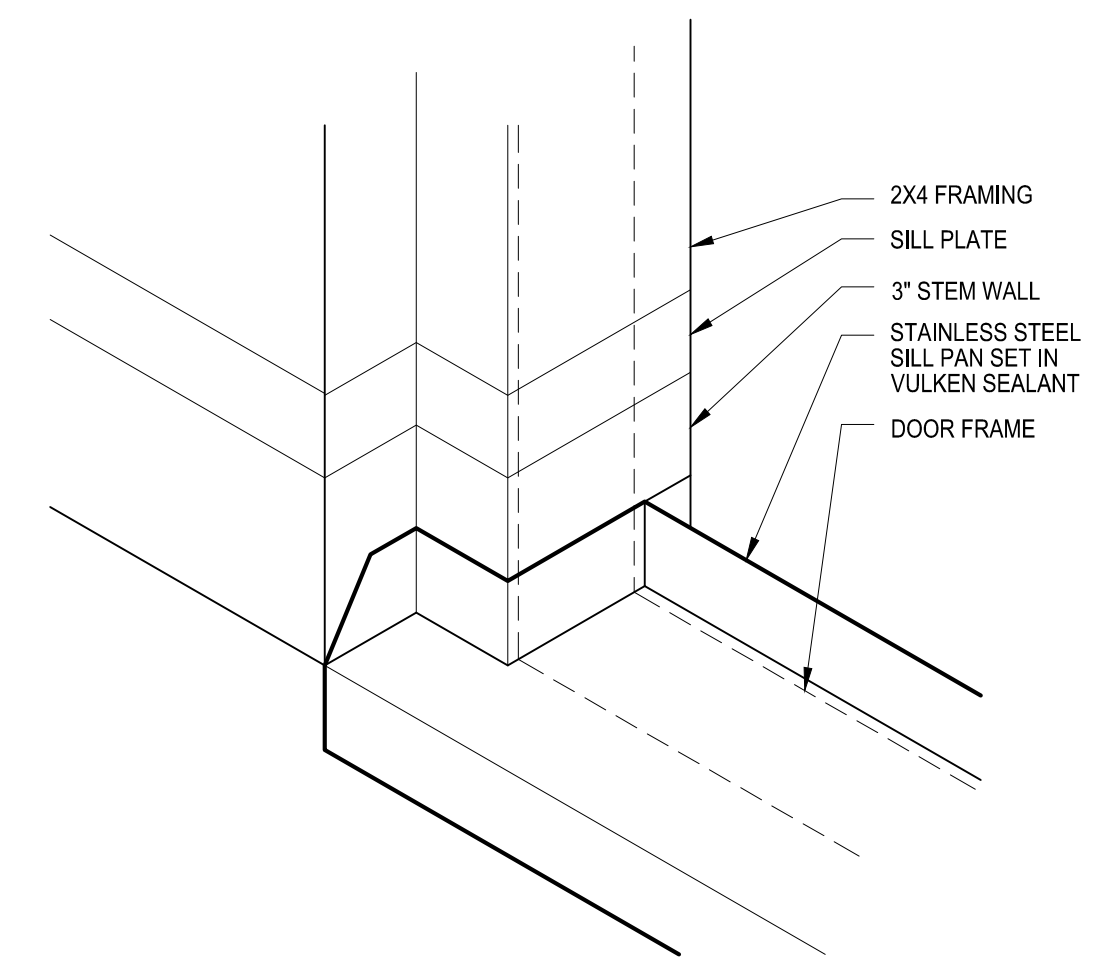
**SLIDING DOOR HEAD DETAIL 3**  
 SCALE: 3"=1'-0"



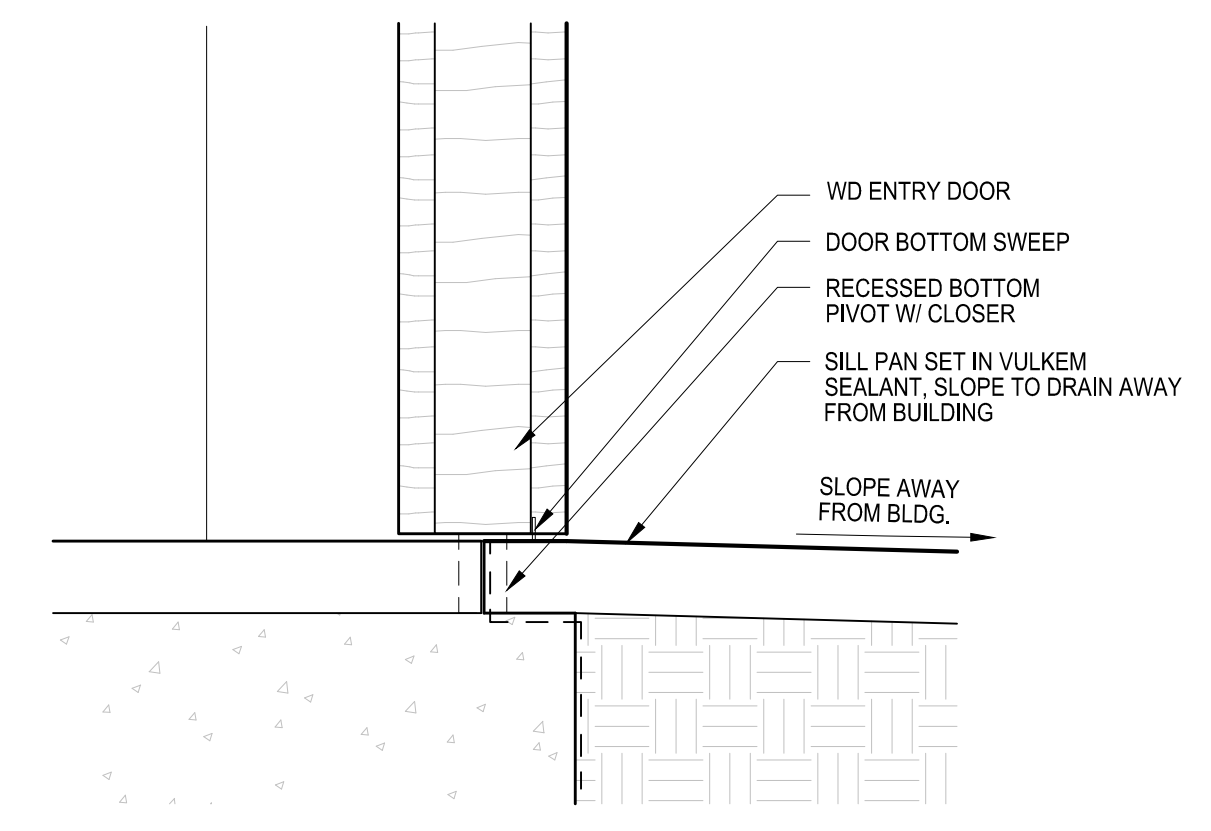
**HINGED DOOR JAMB DETAIL 5**  
 SCALE: 3"=1'-0"



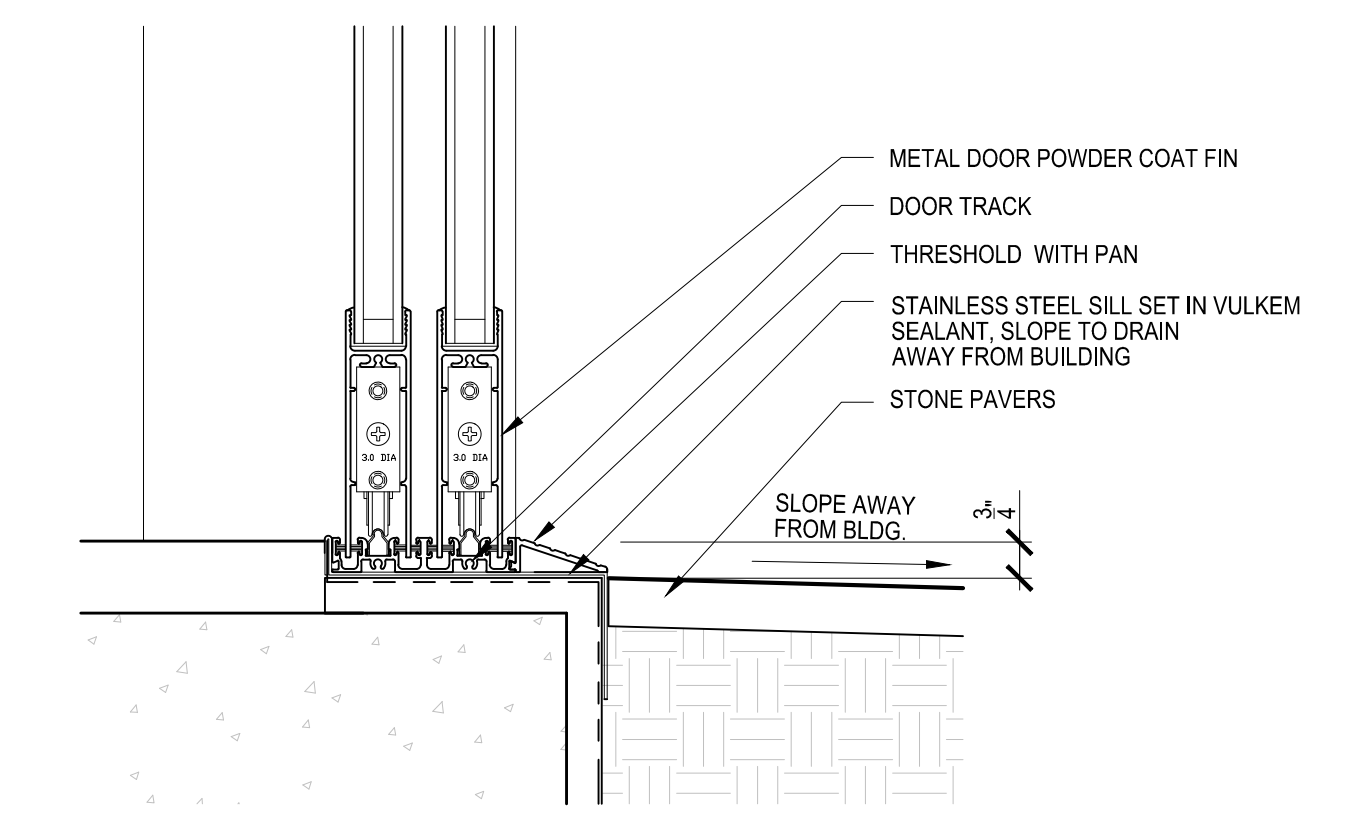
**MULTI SLIDING DOOR JAMB DETAIL 2**  
 SCALE: 3"=1'-0"



**SILL PLATE DIAGRAM 7**  
 SCALE: 3"=1'-0"



**HINGED DOOR THRESHOLD DETAIL 4**  
 SCALE: 3"=1'-0"



**MULTI DOOR THRESHOLD DETAIL 1**  
 SCALE: 3"=1'-0"

Rev	Description
06.15.16	Plan Check Submittal

Drawing  
**DOOR/WINDOW DETAILS**

Date June 15, 2016  
 Scale 3" = 1'-0"  
 Sheet

All drawings and written material appearing herein constitute original and unpublished work of BO.SHI Architects and may not be duplicated, used or disclosed without written consent of BO.SHI Architects.

Sheet  
**A8.20**