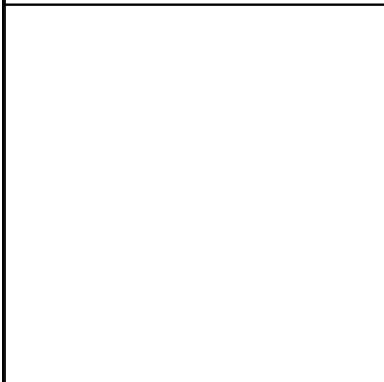
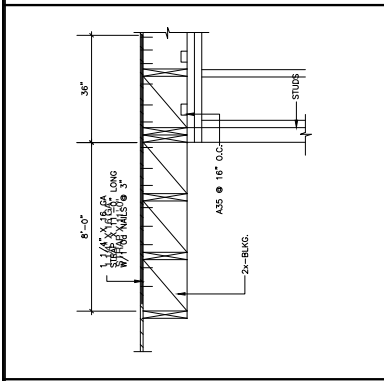


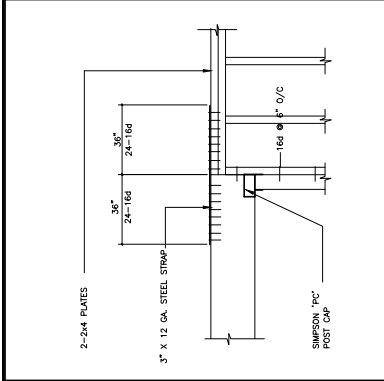
**111** STRUT-DETAIL



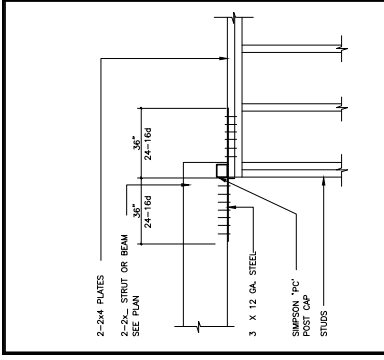
**112** STRUT-DETAIL



**113** STRUT-DETAIL

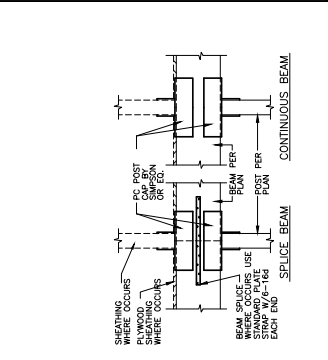


**114** STRUT-DETAIL

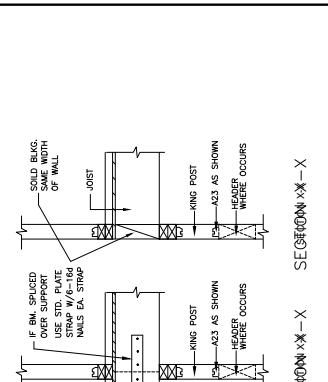


**115** STRUT-DETAIL

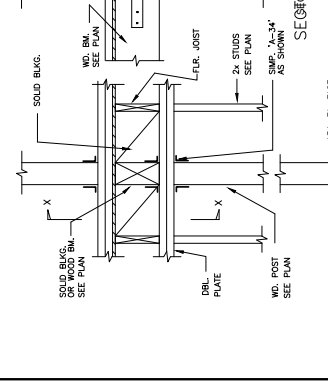
**SINGLE FAMILY RESIDENCE**  
 688 N. CRENSHAW DR.  
 LOS ANGELES, CA  
 (619) 698-8588  
 FAX (619) 698-8596



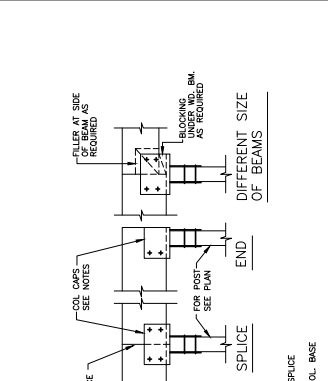
**116** TYP BEAM-TO-POST-CONNECTION



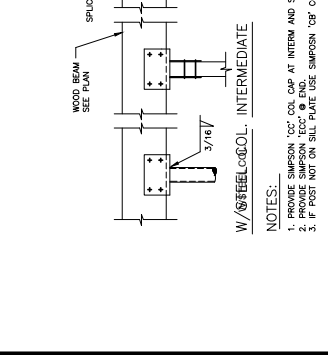
**117** TYP BEAM-TO-POST-CONNECTION



**118** WOOD-TO-BEAM-TO-POST

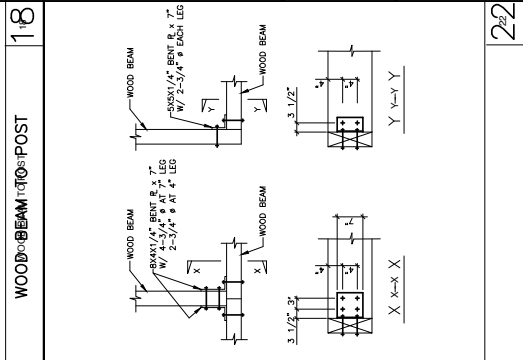


**119** TYPICAL OPENING IN SHEAR WALL PLYWD. PANEL ONLY

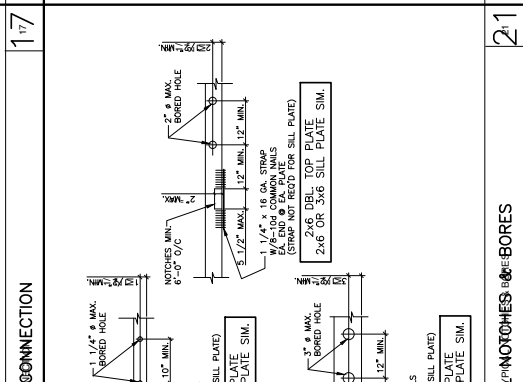


**120** TYPICAL NOTCHES & BORES

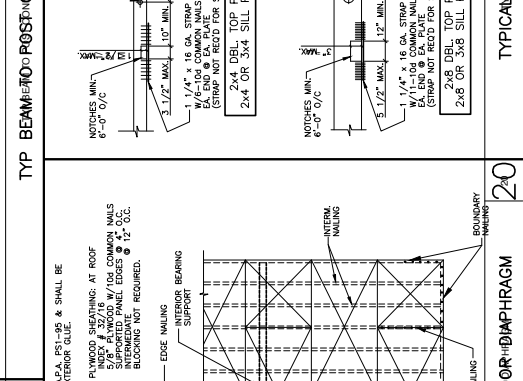
**BERKOWITZ ASSOCIATES, INC.**  
 CONSULTING STRUCTURAL ENGINEERS  
 5350 CORNELL AVENUE, SUITE 355  
 THERMANS, CA 91356  
 (619) 698-8588  
 FAX (619) 698-8596



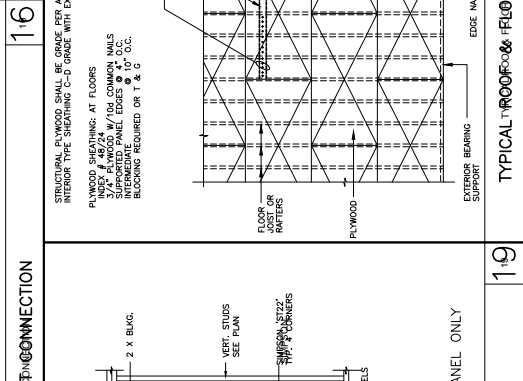
**121** TYPICAL NOTCHES & BORES



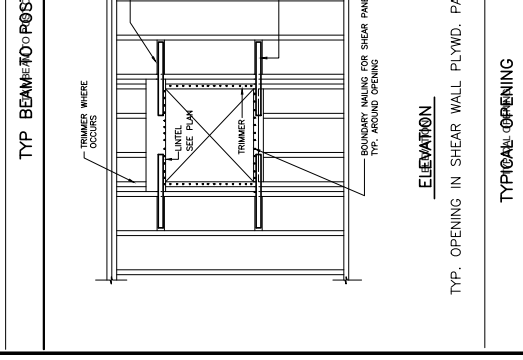
**122** TYPICAL NOTCHES & BORES



**123** TYPICAL NOTCHES & BORES



**124** TYPICAL NOTCHES & BORES



**125** TYPICAL NOTCHES & BORES