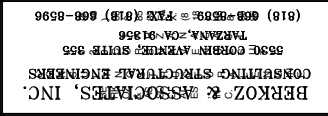



SINGLE FAMILY RESIDENCE  
688 W. GREENSBY DR.  
LOS ANGELES, CA

BERKOWITZ & ASSOCIATES, INC.  
CONSULTING STRUCTURAL ENGINEERS  
5330 CORONA AVENUE, SUITE 355  
THERMANS, CA 91356  
(818) 688-8588 • FAX (818) 688-8596



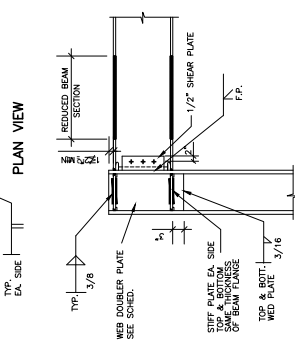
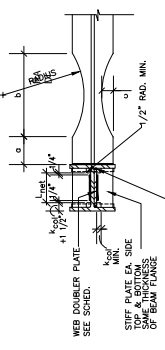
DATE: 8-15-2016  
JOB #  
STRUCTURAL

SD-5

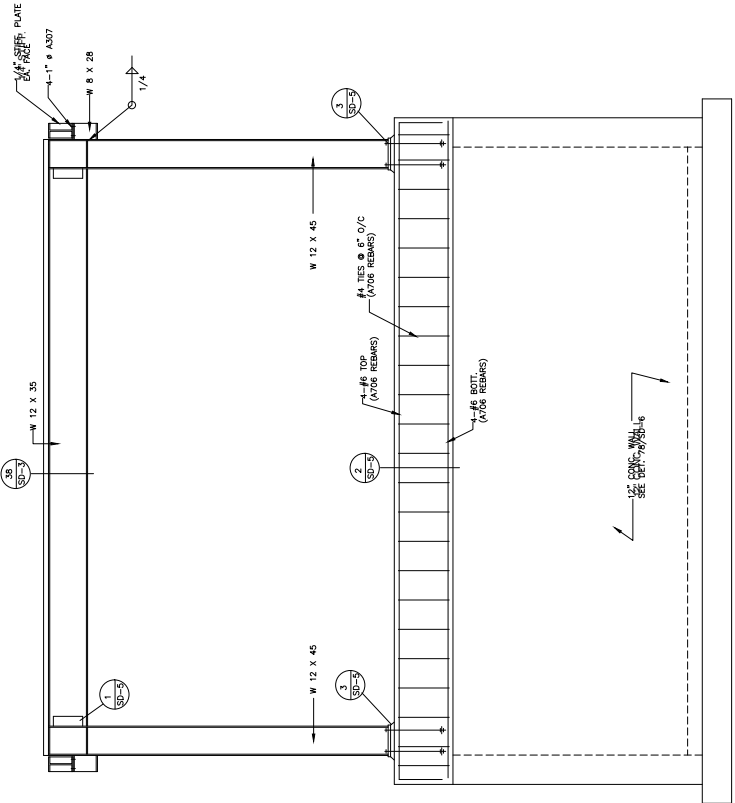
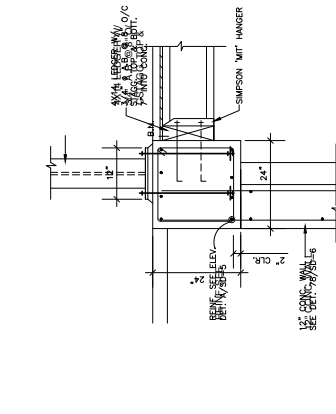
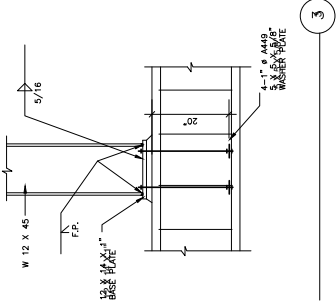
**REDUCE BEAM SECTION SCHEDULE**

BEAM SIZE	c <sub>1</sub>	b <sub>1</sub>	c <sub>2</sub>	RADIUS	WEB DOUBLER PLATE	SHEAR PLATE THICK.	NO. BOLTS
W 12 X 35	4"	9 1/2"	1 1/4"	8 5/8"	1/8"	1/2"	3-1" φ A325 SC

**STRUCTURAL OBSERVATION CHECKLIST FOR MOMENT FRAME :**  
 ORIENTATION AND PRESENCE OF UNDESIRABLE COMPONENTS 2.  
 1. REMOVAL OF BRACING MEMBERS IN THE PRESENCE OF UNDESIRABLE COMPONENTS 2.  
 2. WEBS OF BEAMS IN CONTACT WITH EACH OTHER OR WITH WALLS OR SLABS.  
 3. WEBS OF BEAMS IN CONTACT WITH EACH OTHER OR WITH WALLS OR SLABS.  
 4. WEBS OF BEAMS IN CONTACT WITH EACH OTHER OR WITH WALLS OR SLABS.  
 5. WEBS OF BEAMS IN CONTACT WITH EACH OTHER OR WITH WALLS OR SLABS.  
 6. WEBS OF BEAMS IN CONTACT WITH EACH OTHER OR WITH WALLS OR SLABS.  
 7. WEBS OF BEAMS IN CONTACT WITH EACH OTHER OR WITH WALLS OR SLABS.  
 8. WEBS OF BEAMS IN CONTACT WITH EACH OTHER OR WITH WALLS OR SLABS.  
 9. WEBS OF BEAMS IN CONTACT WITH EACH OTHER OR WITH WALLS OR SLABS.  
 10. WEBS OF BEAMS IN CONTACT WITH EACH OTHER OR WITH WALLS OR SLABS.  
 11. WEBS OF BEAMS IN CONTACT WITH EACH OTHER OR WITH WALLS OR SLABS.  
 12. WEBS OF BEAMS IN CONTACT WITH EACH OTHER OR WITH WALLS OR SLABS.  
 13. WEBS OF BEAMS IN CONTACT WITH EACH OTHER OR WITH WALLS OR SLABS.



1  
 INTERFERING WITH BEAMS CONNECTION WITH BRACING.  
 SEE SHEET SD-5 FOR BRACING DETAILS.



A  
 24" X 24" CONCRETE BEAM  
 INTERFERING WITH MOMENT FRAME