

1 REAR ELEVATION
A3-2 SCALE: 1/4" = 1'-0"

REMOVE SALON SIGN & REPAIR DAMAGE TO MASONRY WALL
NEW INSULATED HOLLOW METAL DOOR (P-8)
REFER TO DOOR & HARDWARE & SCHEDULE AT SHEET A3-2

A. Butts and Hinges: Listed	Alternate	Alternate
Manufacturer/Item #	Manufacturer/Item #	Manufacturer/Item #
Bommer LB8002	Hager AB800	McKinney TA314

E. Exit/Panic Devices: Listed	Alternate	Alternate
Manufacturer/Item #	Manufacturer/Item #	Manufacturer/Item #
*Von Duprin 9957EO	N/A	N/A

G. Overhead Closers: Listed	Alternate	Alternate
Manufacturer/Item #	Manufacturer/Item #	Manufacturer/Item #
Norton 8301BF	LCN 1461	Yale 3000

J. Door Stops, Door Stop/Holders: Listed	Alternate	Alternate
Manufacturer/Item #	Manufacturer/Item #	Manufacturer/Item #
Rockwood 471	Triangle Brass 1201	Ives FS444

K. Door Stripping and Seals: Listed	Alternate	Alternate
Manufacturer/Item #	Manufacturer/Item #	Manufacturer/Item #
National Guard 160V	Pemko 303	Reese I28V

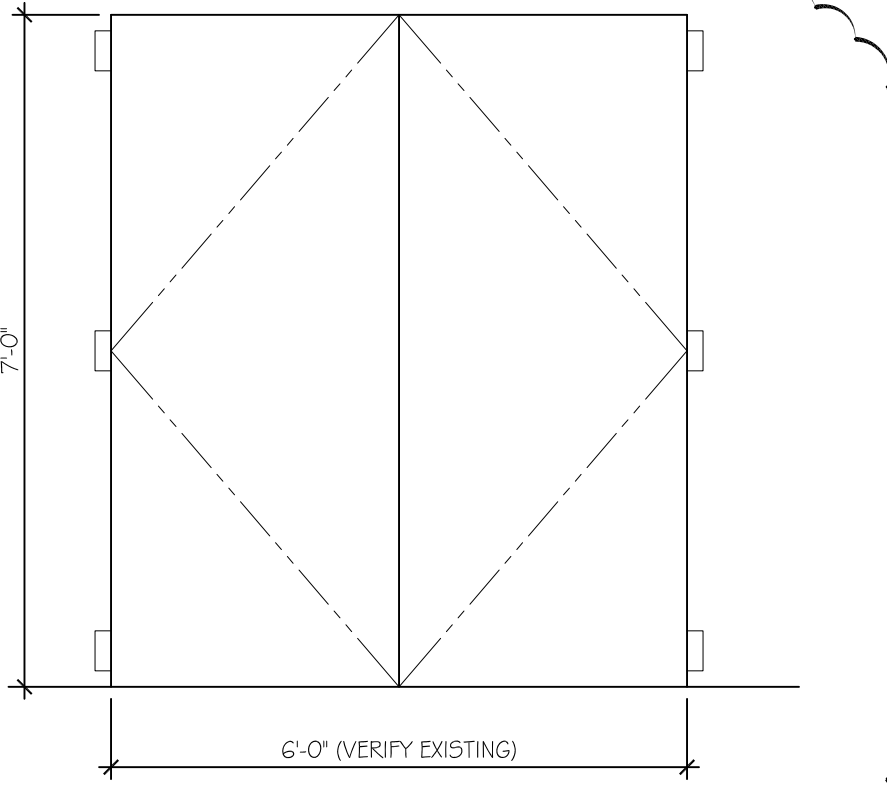
L. Thresholds: Listed	Alternate	Alternate
Manufacturer/Item #	Manufacturer/Item #	Manufacturer/Item #
National Guard 896V	Pemko 2005	Reese S483

M. Door Sweeps Listed	Alternate	Alternate
Manufacturer/Item #	Manufacturer/Item #	Manufacturer/Item #
National Guard 101VA	Pemko 345AV	Reese

Q. Drip Edge Listed	Alternate	Alternate	Alternate
Manufacturer #	Manufacturer	Manufacturer	Manufacturer
National Guard 16A	Reese R201C	Pemko 346	Hager 810S

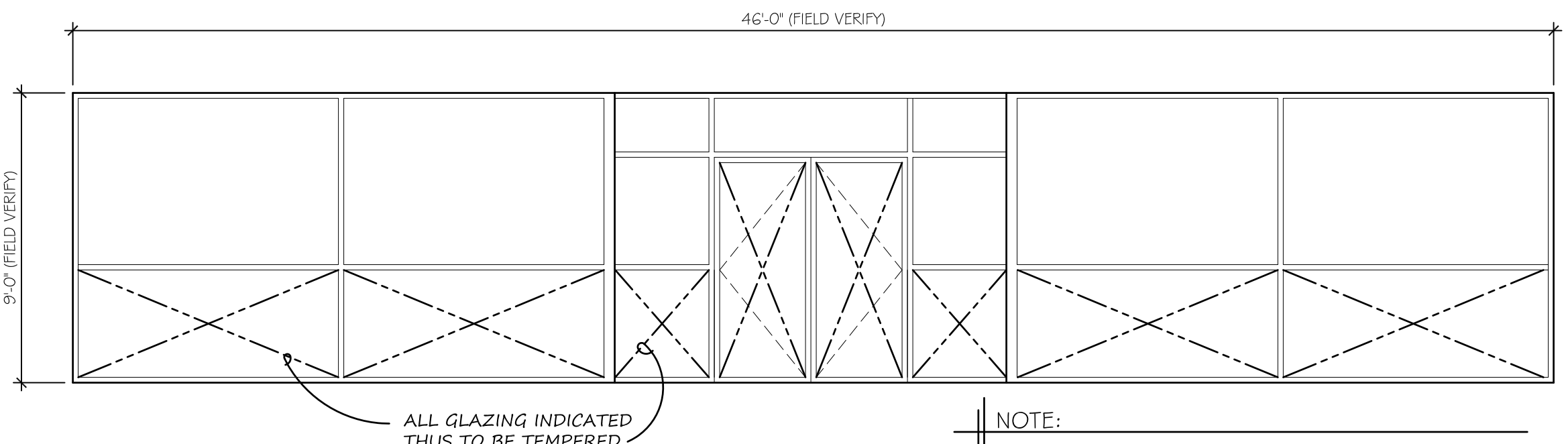
Hardware Set No. 8—Pair of Doors (When Applicable) (Sales to Exterior)
6 ea Hinges LB8002 4 1/2" x 4 1/2" x NRP x 630 Bommer
2 ea Exit Device 9957EO x LD x 3" x 7" x SNB x US32D Von Duprin
1 ea Steel Mullion 4954-7" Von Duprin
2 ea Closer 8301BF x SNB x 689 Norton
2 ea Door Stop 471 x 626 Rockwood
1 ea Thresholds 896V-72" National Guard
2 sets Weatherstrip 160V-36" x 84" National Guard 2 ea Door Sweeps 101VA-36" National Guard
1 ea Drip Cap 16A-76" National Guard

NOTE: Brackets as required



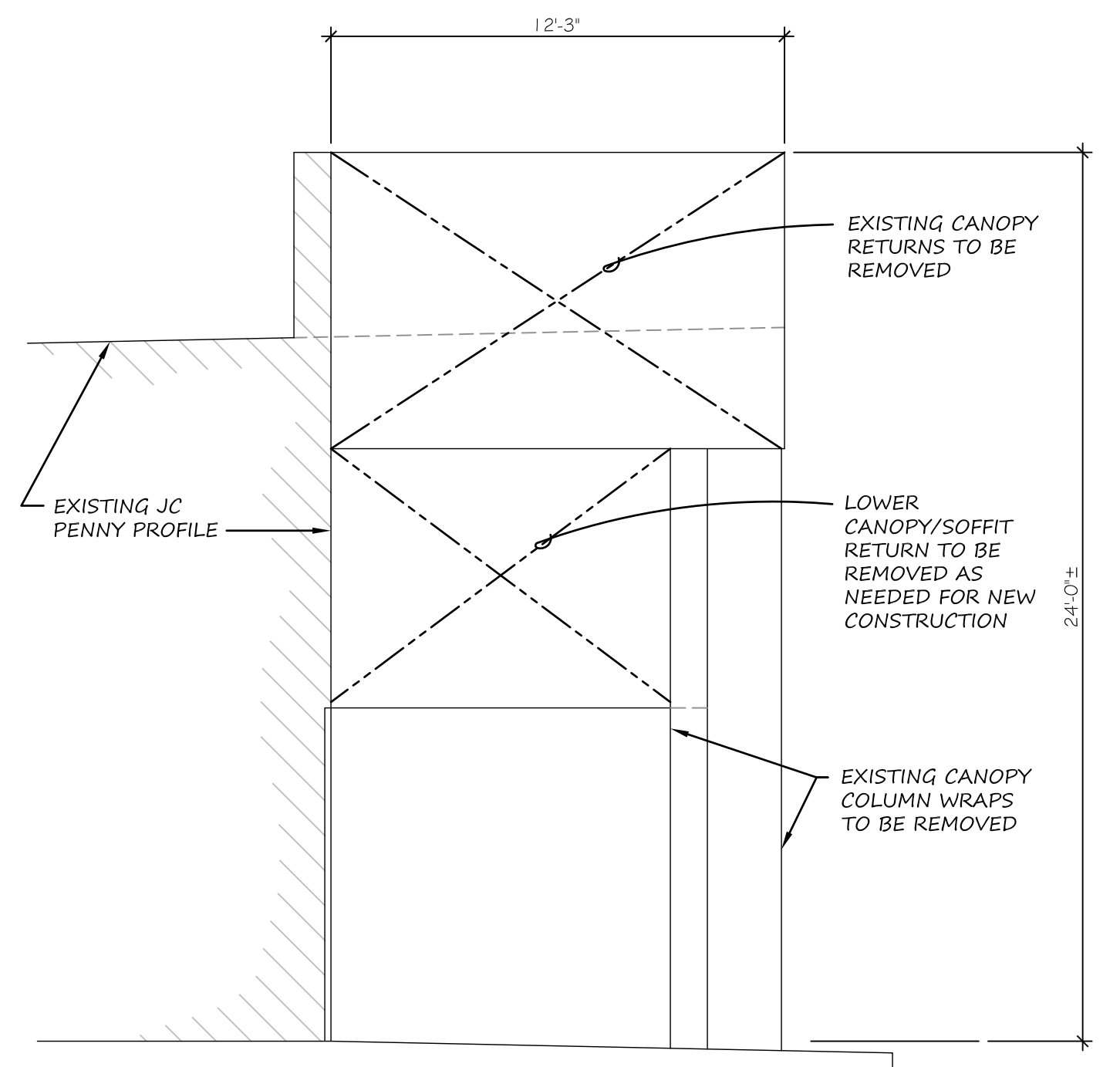
DOOR SIZE & DOOR TYPE A MATERIAL HM HARDWARE SET NO. 8
DOOR TYPE
SCALE: 1/4" = 1'-0"

PAINT LEGEND		STONE
P-7	ICI A074 CREWELWORK GLIDDEN SOY 74131	ST-2 URBURCH KIMBROUGH LEXINGTON IVORY
P-8	ICI A074 OYSTER WHITE GLIDDEN SOY 64149	
P-10	ICI A178 WRIGHT STONE GLIDDEN 10Y 30106	

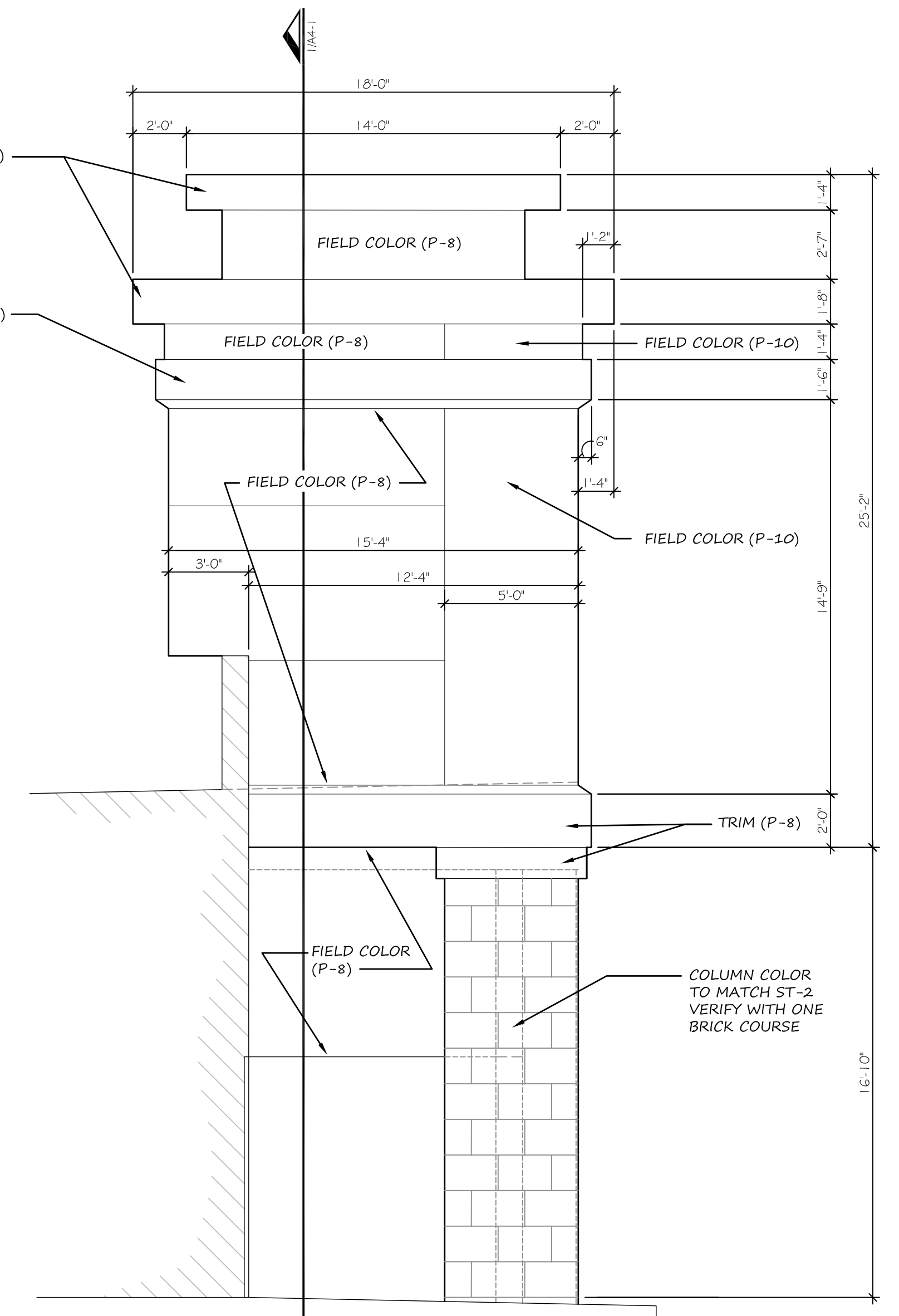


2 STOREFRONT ELEVATION
A3-2 SCALE: 1/4" = 1'-0"

NOTE:
1. ALL STOREFRONT FRAMING, HARDWARE, SECURITY GRILL AND ETCETERAS ARE TO REMAIN
2. REMOVE EXISTING BRONZE TINTED GLAZING AND REPLACE WITH LIKE GREEN TINTED GLAZING (COLOR AS APPROVED BY JCP)



3 EXISTING SIDE ELEVATION
A3-2 SCALE: 1/4" = 1'-0"



4 PROPOSED SIDE ELEVATION
A3-2 SCALE: 1/4" = 1'-0"