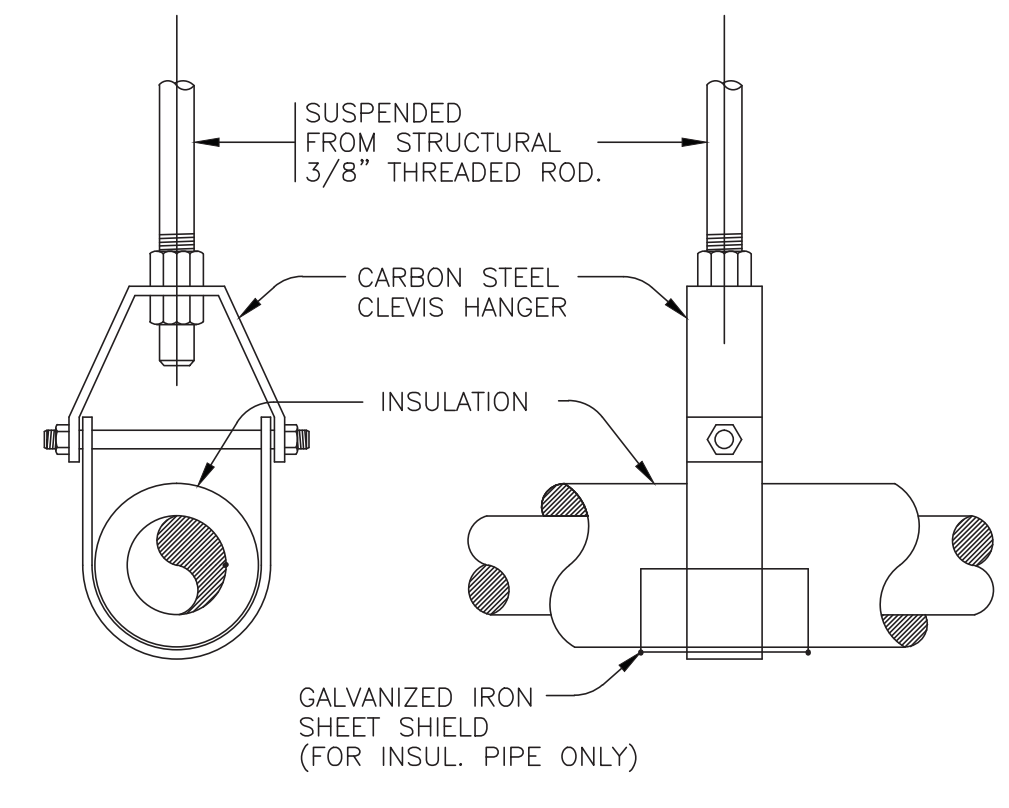
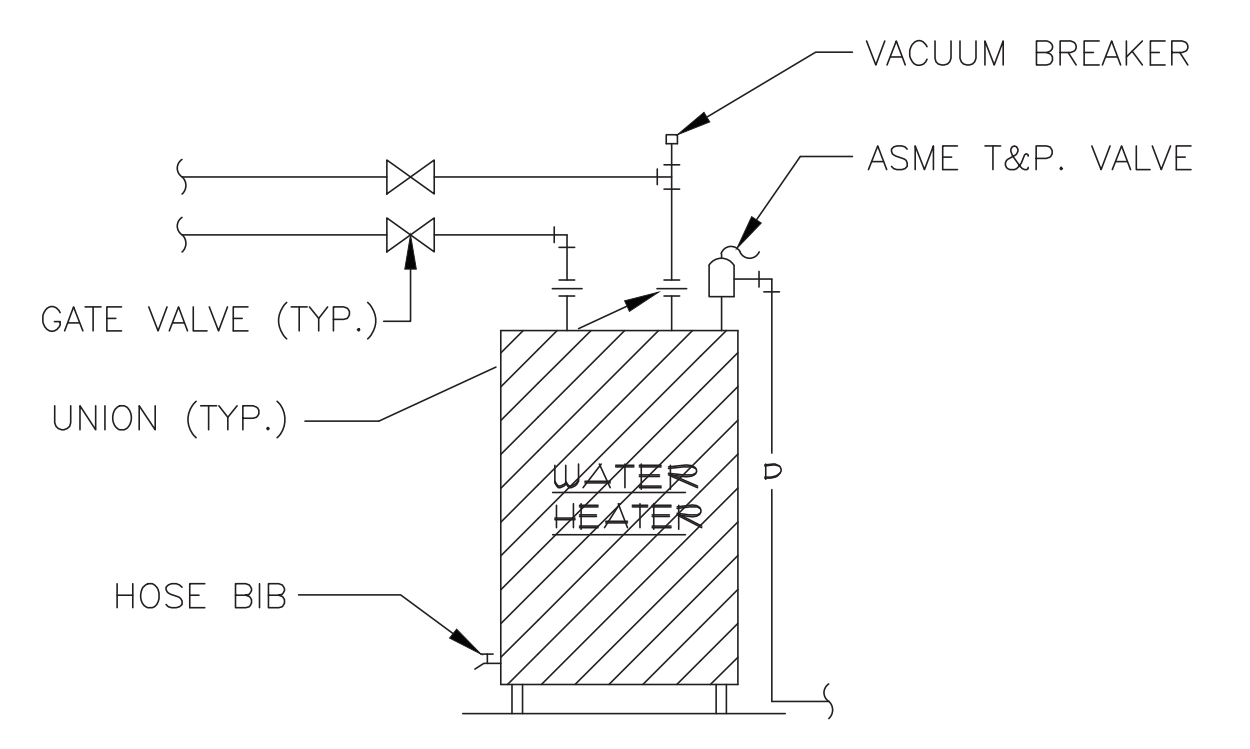


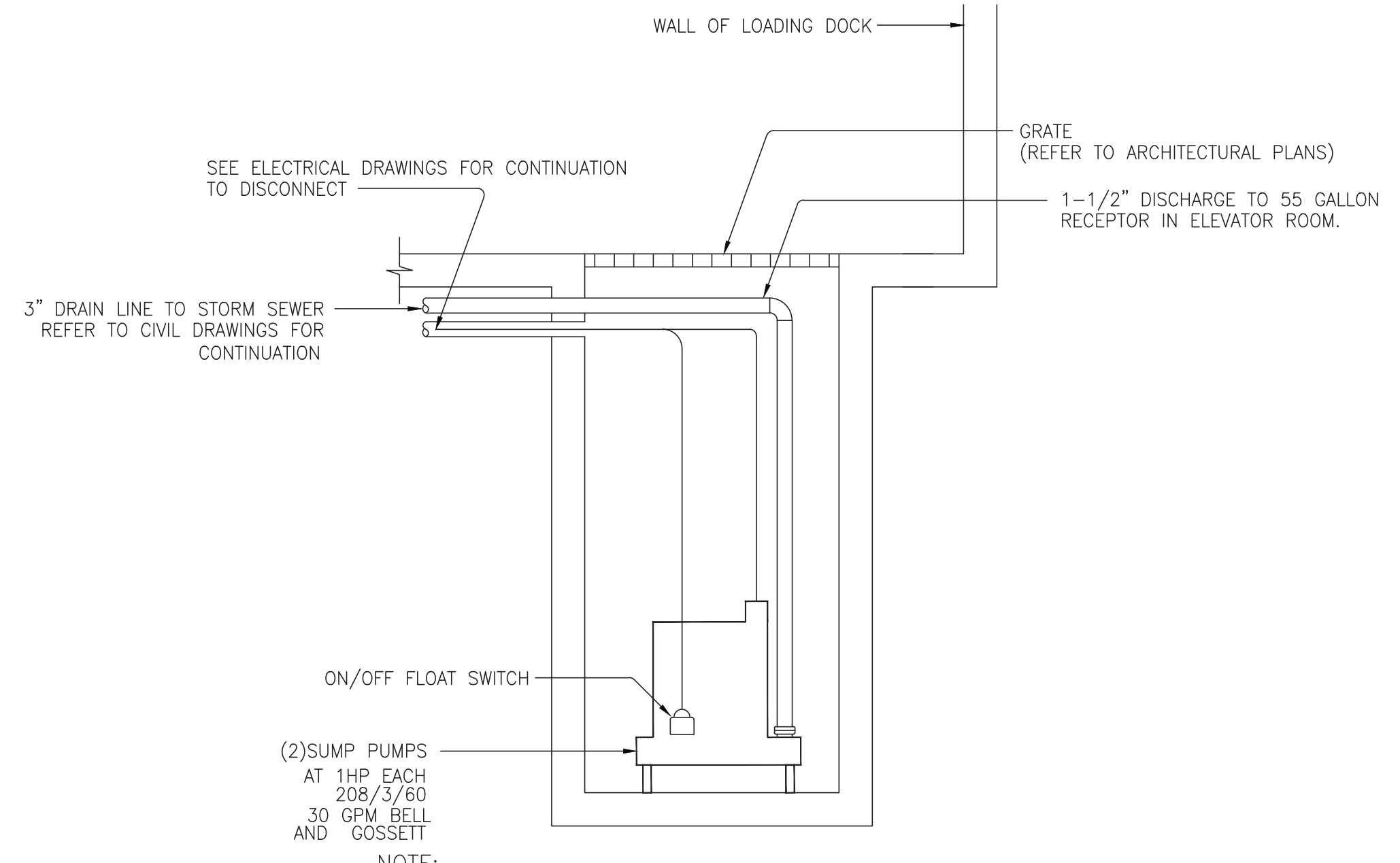
**1 WATER HEATER**  
SCALE: N.T.S.  
WATER HEATER SUSPENDED ABOVE CEILING



**2 PIPING HANGER**  
N.T.S.



**3 WATER HEATER**  
N.T.S.



**5 SUMP PUMP**  
N.T.S.

**WATER HEATER (EQUAL SUBSTITUTIONS WITH ROSS CONSTRUCTION REPRESENTATIVE APPROVAL)**

| MARK | LOCATION   | MAKE  | MODEL | TANK SIZE | FUEL   | INPUT  | RECOVERY | ELECTRIC | REMARKS                                                                                                                                                                                                                                                                                                                 |
|------|------------|-------|-------|-----------|--------|--------|----------|----------|-------------------------------------------------------------------------------------------------------------------------------------------------------------------------------------------------------------------------------------------------------------------------------------------------------------------------|
| HW-1 | MECH. ROOM | WATCO | 1000  | 100 GAL   | ELECT. | 4.0 KW | 120 F    | 208/1/60 | QUICK RECOVERY WATER HEATER - COORDINATE ELECTRICAL WITH E.C. TRAP RELIEF VALVE WATER NO. 1000. 4-1/2" SCOUTFIRE ALTERNATES A-D. SHUT-FRIM BY EQUAL. 4" SCUBO WATER HEATER WILL BE REQUIRED WHEN LOCKER ROOM SINK OR RESTROOM LAVATORIES ARE MORE THAN 60 FEET FROM THE WATER HEATER. LOCATED IN THE JANITORIAL CLOSET. |

**DRINKING FOUNTAIN (NO SUBSTITUTIONS - NO EXCEPTIONS)**

| MARK  | ITEM         | MAKE   | MODEL  | TYPE         | NAME     | CAPACITY | COMPRESS. | CONDENSER | HORSE POWER | ELECTRIC | REMARKS                                                                                             |
|-------|--------------|--------|--------|--------------|----------|----------|-----------|-----------|-------------|----------|-----------------------------------------------------------------------------------------------------|
| DF-1H | WATER COOLER | HALSEY | TA100R | WALL MOUNTED | DR-LEVEL | 8.0 GPH  | NONE      | NONE      | NONE        | NONE     | BARRIER FREE WITH WALL HANGER PLATE - NO SUBSTITUTION. INSTALLED WITH ORFEE AT 4" FLOW AND 4" FLOW. |

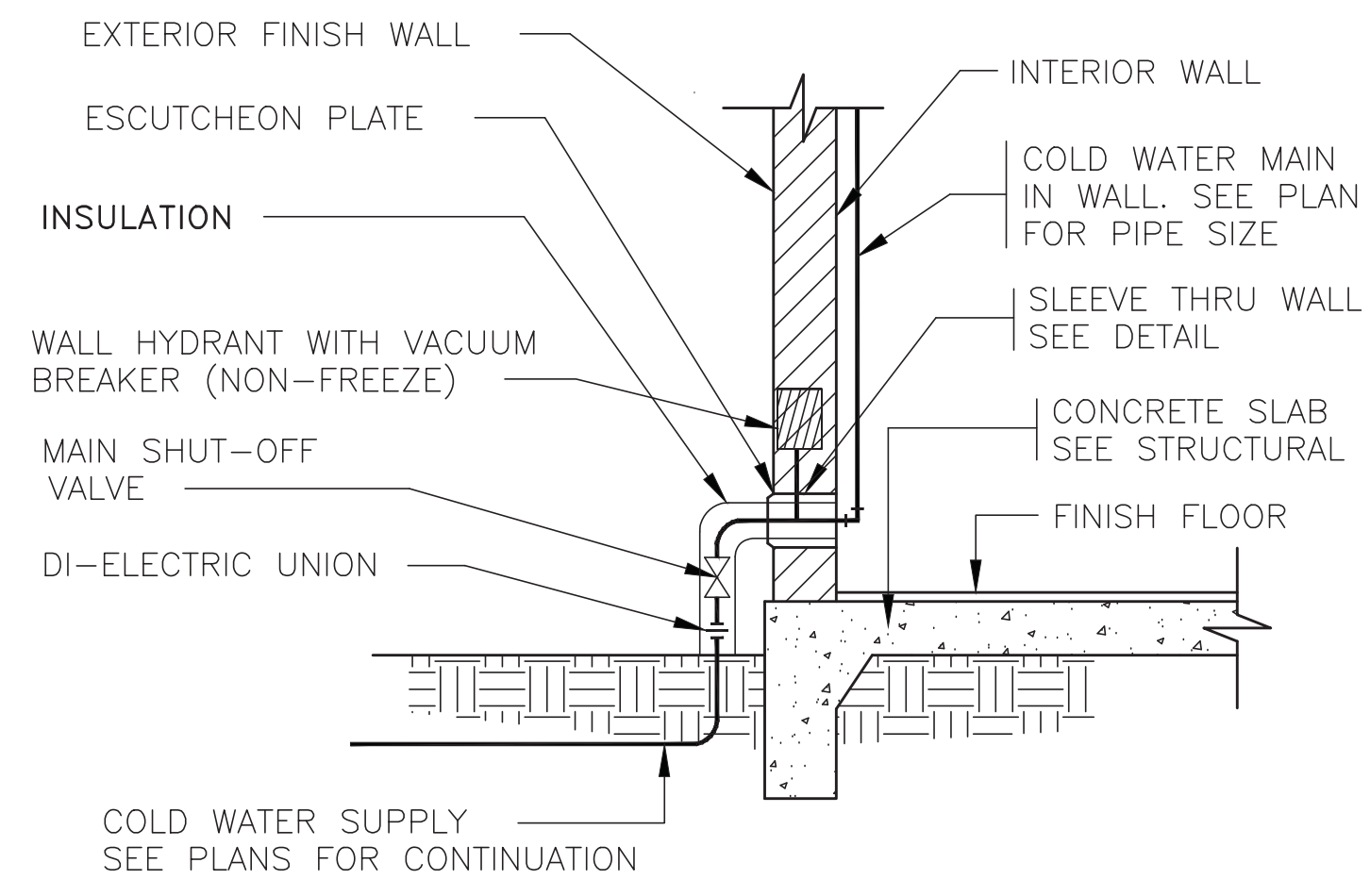
**DRAINS, CLEANOUTS & MISC. ITEMS (EQUAL SUBSTITUTIONS WITH ROSS CONST. REP. APPROVAL)**

| MARK | ITEM        | MAKE       | MODEL | LOCATION  | SIZE     | BODY      | TOP             | REMARKS                                                                                                                               |
|------|-------------|------------|-------|-----------|----------|-----------|-----------------|---------------------------------------------------------------------------------------------------------------------------------------|
| FD-1 | FLOOR DRAIN | J.M. SMITH | 2500  | SEE PLANS | AS NOTED | CAST IRON | STAINLESS STEEL | SQUARE TOP - FLAT STRAINER WITH POS. 1/2" TRAP PRIMER                                                                                 |
| CO-2 | CLEANOUT    | J.M. SMITH | 4402  | WALL TYPE | AS NOTED | CAST IRON | STAINLESS STEEL | IF CLEANOUTS ARE INSTALLED ON THE SALES FLOOR, INSTALL AT MAX. DISTANCE OF 100 FT. OR LESS AS MAY BE REQUIRED BY GOVERNING AUTHORITY. |

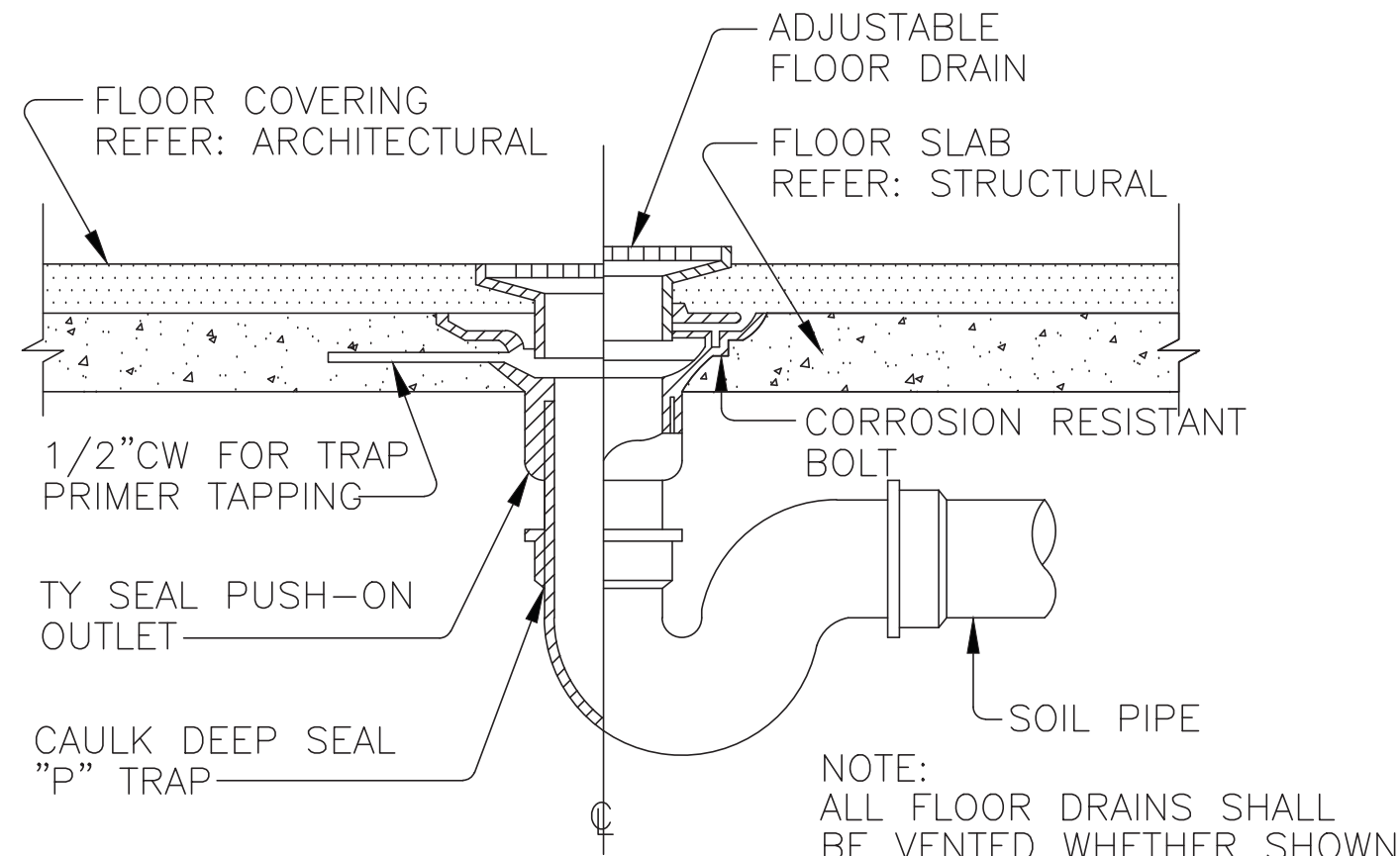
**PLUMBING FIXTURES (NO SUBSTITUTIONS - NO EXCEPTIONS)**

| MARK | ITEM             | MAKE              | MODEL     | TROW      | TRAP          | STOPS     | WHEEL   | SEAT   | TRAP   | OR   | REMARKS                                                                                                                                                       |
|------|------------------|-------------------|-----------|-----------|---------------|-----------|---------|--------|--------|------|---------------------------------------------------------------------------------------------------------------------------------------------------------------|
| P-1  | WATER CLOSET     | KOHLER            | WELLCOME  | K-4350    | SLOAN         | INT. INT. | 4"      | 2"     | 1"     | 1"   | FLOOR MOUNTED, FLUSH VALVE, WITH K-4670-C SEAT                                                                                                                |
| P-1H | WATER CLOSET     | KOHLER            | HIGHCHEST | K-4302    | SLOAN         | INT. INT. | 4"      | 2"     | 1"     | 1"   | FLOOR MOUNTED, FLUSH VALVE, WITH K-4670-C SEAT. REFER TO NOTES #8, #9 AND #10.                                                                                |
| P-2H | URINAL           | KOHLER            | PROOF     | K-4694-3  | SLOAN         | INT. INT. | 2"      | 1-1/2" | 3/4"   | 3/4" | WALL MOUNT, CHROME, MOUNTED AT ADA HEIGHT, 17" MAX. REFER TO NOTE #8.                                                                                         |
| P-3H | LAVATORY         | AMERICAN STANDARD | CELEBRITY | 1255-012  | HEBRACE       | NOTE #3   | NOTE #4 | 1-1/2" | 1-1/2" | 1/2" | WALL MOUNTED, CONCEALED ARM WALL CARRIER, FAUCET TO BE 3462-1729-002 WITH WHITE HANDLES, REFER TO NOTE #7. MOUNTED AT ADA HEIGHT, 7'-0" A.F.E. TO TOP OF FIN. |
| P-4H | LOCKER ROOM SINK | EMAY              | CELEBRITY | GEORSD1   | AMER. STD.    | NOTE #3   | NOTE #4 | 1-1/2" | 1-1/2" | 1/2" | DRINK - JUST NO. 2-35, DRINK CUP, FAUCET TO BE #7400-1729-002, CHROME, NECK WITH WHITE HANDLE.                                                                |
| P-5  | JANITOR'S SINK   | FLORESTONE        | TERNAZZO  | MODEL #21 | CENTRAL BRASS | 3"        | 1-1/2"  | 3/4"   | 3/4"   | 3/4" | SERVICE SINK FAUCET TO BE CENTRAL BRASS #0504-VELDRC-Q. REFER TO NOTE #8.                                                                                     |

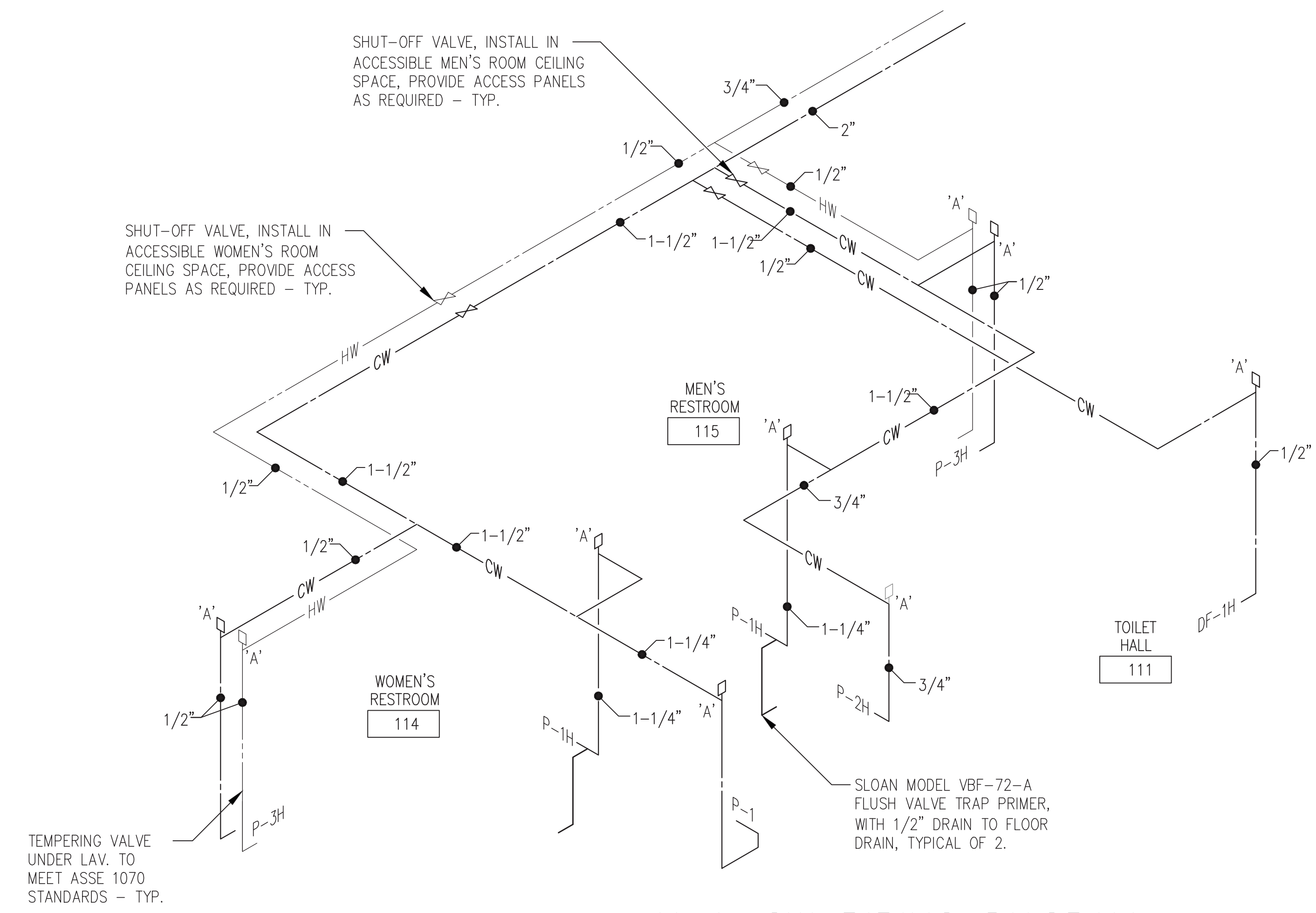
- NOTES:**
- INSTALL SERVICE, SHUT-OFF & CHECK VALVES, COCKS, STOPS, AIR CUSHIONS, VACUUM BREAKERS, AND SAFETY DEVICES WHERE REQUIRED BY CODE, SPECIFICATIONS, OR DRAWINGS.
  - ALL GALVANIZED NUTS REFER TO AMERICAN STANDARD UNLESS NOTED AND ALL FITTINGS IN WHITE UNLESS NOTED.
  - EXPPOSED PIPING TO BE 1/2" O.D. CHROME PLATE WITH CLEANOUT AND ESCUTCHEON PLATE.
  - STOPS TO BE CHROME PLATED 1/2" ANGLE VALVE WITH CHROME PLATED 1/2" LONG, 1/2" O.D. FLEXIBLE RISER AND ESCUTCHEON PLATE.
  - ALL DRAINS AND WATER SUPPLY PIPING TO LAVATORIES TO BE INSULATED WITH "HAND LAX-GUARD" INSULATION KIT BY SIBURCO.
  - WITH FLORESTONE 24" HOSE AND BRACKET, MOP HOOK AND 1/2" HIGH STAINLESS STEEL WALL GUARD.
  - SINK TO BE MOUNTED FLUSH WITH WALL AND SLOANER GASKET APPLIED INSIDE SINK MEETS WALL.
  - AN "H" AT THE FIXTURE DESIGNATION INDICATES A HAN FIXTURE.
  - FLUSH VALVE HANDLES FOR ADA FIXTURES SHALL BE MOUNTED ON WIDE SIDE OF TOILET AREA.
  - PROMOTE SLOAN WFP-72-A FLUSH TRAP PRIMER WITH FLUSH VALVE. DRAIN PIPES FROM TRAP PRIMER VALVES TO BE PROTECTED 1/2" MIN. FROM VALVE TO FLOOR DRAIN.



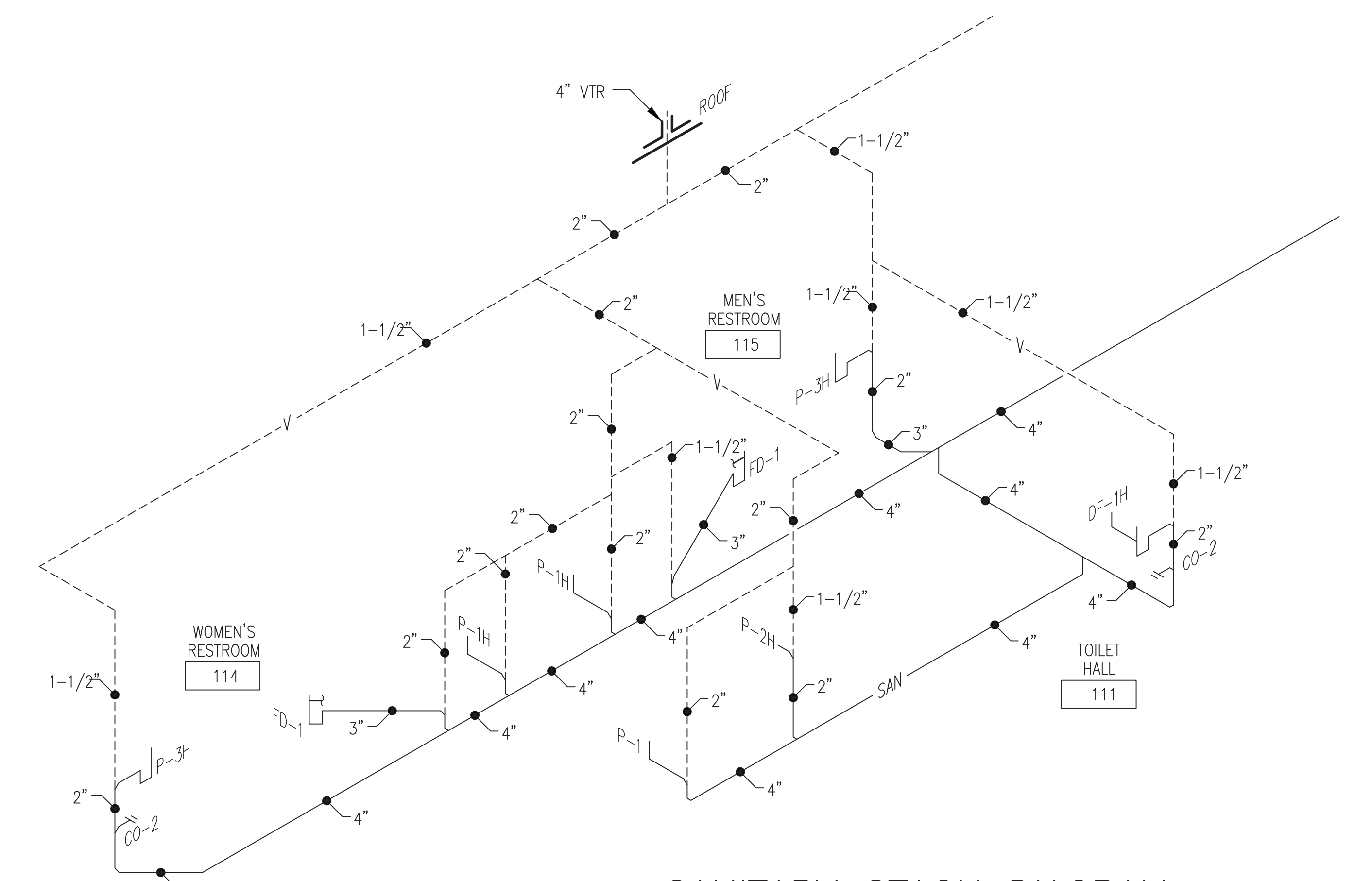
**4 WATER SERVICE ENTRANCE**  
N.T.S.



**6 FLOOR DRAIN**  
SCALE: N.T.S.



**1 H & CW PIPING DIAGRAM**  
N.T.S.



**2 SANITARY STACK DIAGRAM**  
N.T.S.



**WINDLE + VOLPE**  
ARCHITECTS  
7650 0111 RD. SUITE 200  
HOUSTON, TEXAS 77063  
PH 713-955-1590

**CAI**  
ENGINEERS  
10700 RICHMOND AVE., SUITE 145  
HOUSTON, TX 77042  
TEL 713-968-8881 FAX 713-968-0808

**ROSS BUILD-OUT #1663**  
CROSSROADS MALL  
GREENVILLE, TEXAS  
**GREENVILLE PROPERTIES LTD.**  
GREENVILLE, TEXAS

DATE: 11/22/2013  
PROJECT NO.: 06-15-01P  
DRAWN BY:

SCHEDULES & DETAILS  
Scale 1/8"=1'-0"  
**P2.0**