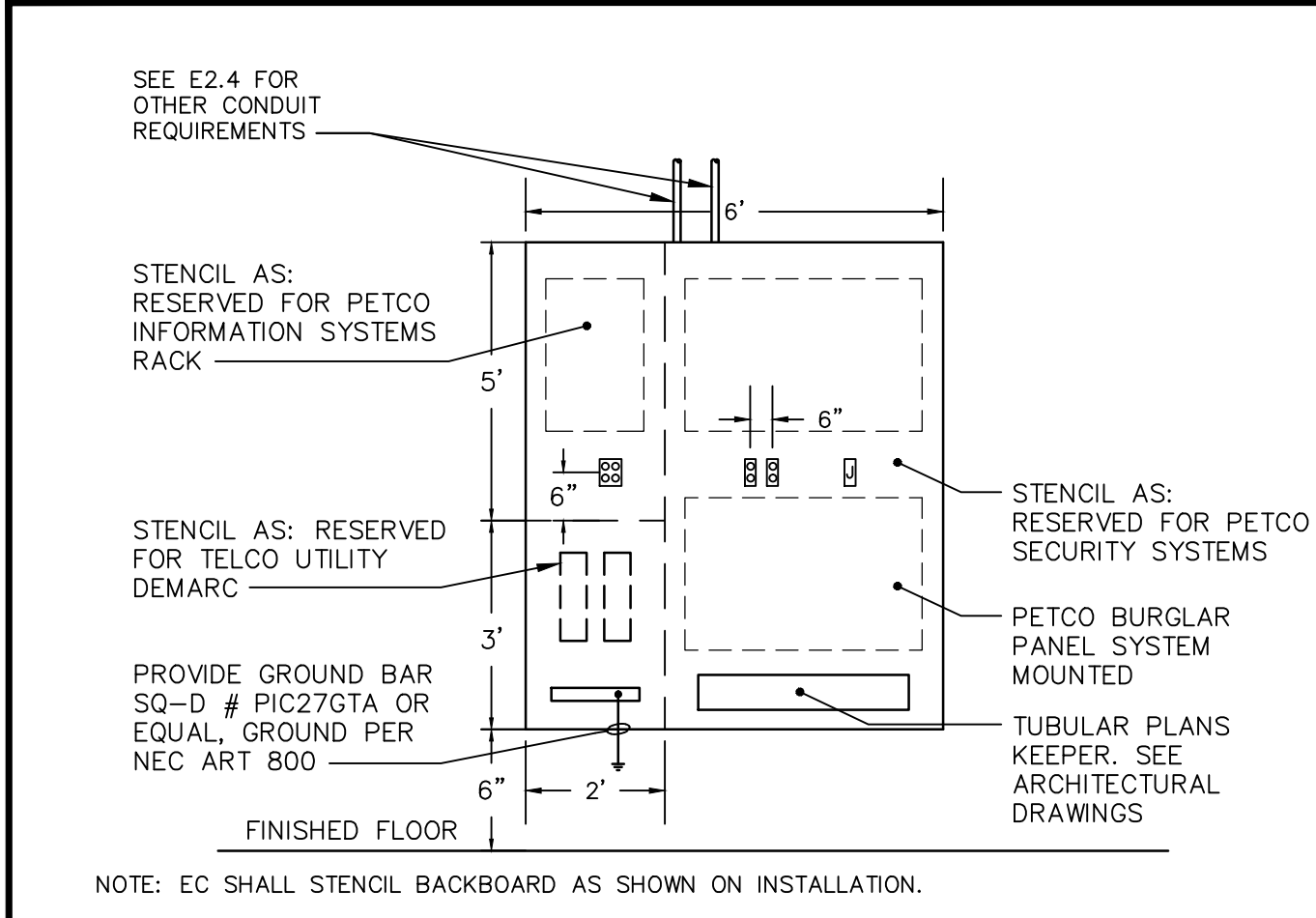
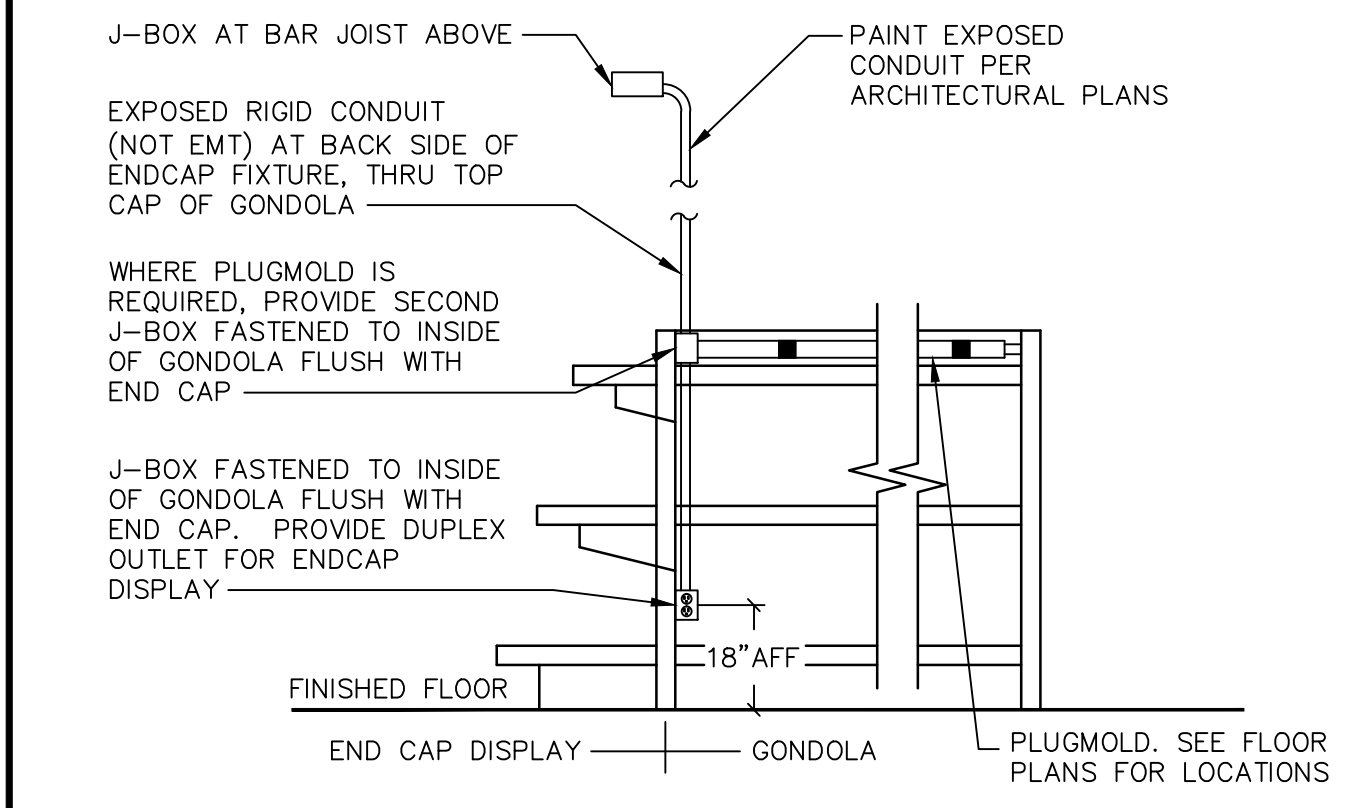


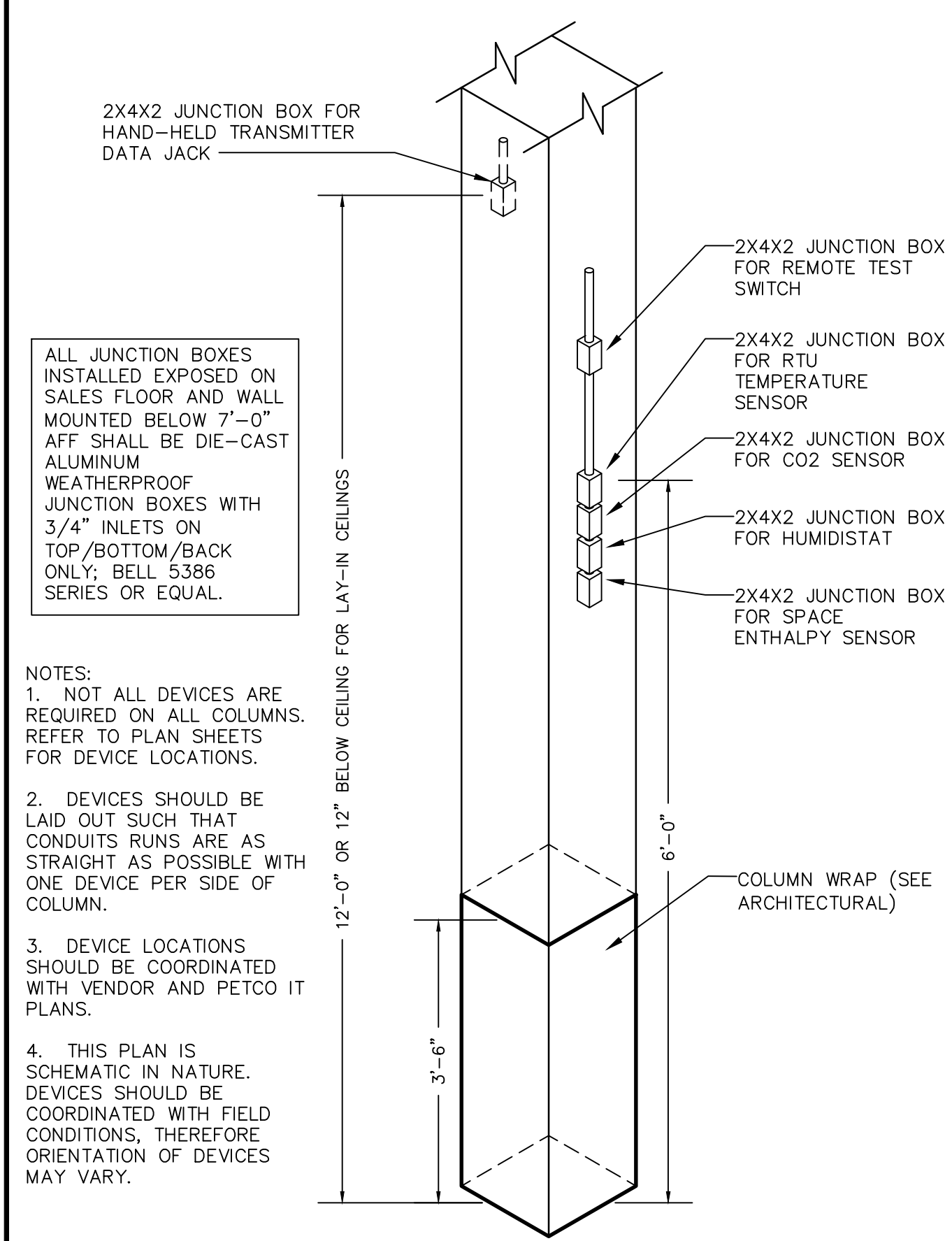
CONTRACTOR(S) SHALL VERIFY EXISTING CONDITIONS AND CORRELATE DIMENSIONS PRIOR TO PROVIDING THE WORK DETAILED IN THESE DRAWINGS. AND SHALL PROMPTLY NOTIFY THE ARCHITECT OF ANY DISCREPANCIES.
 © COPYRIGHT SBLM, ARCHITECTS PC. UNAUTHORIZED REPRODUCTION OR OTHER USE OF THIS DRAWING IS PROHIBITED.



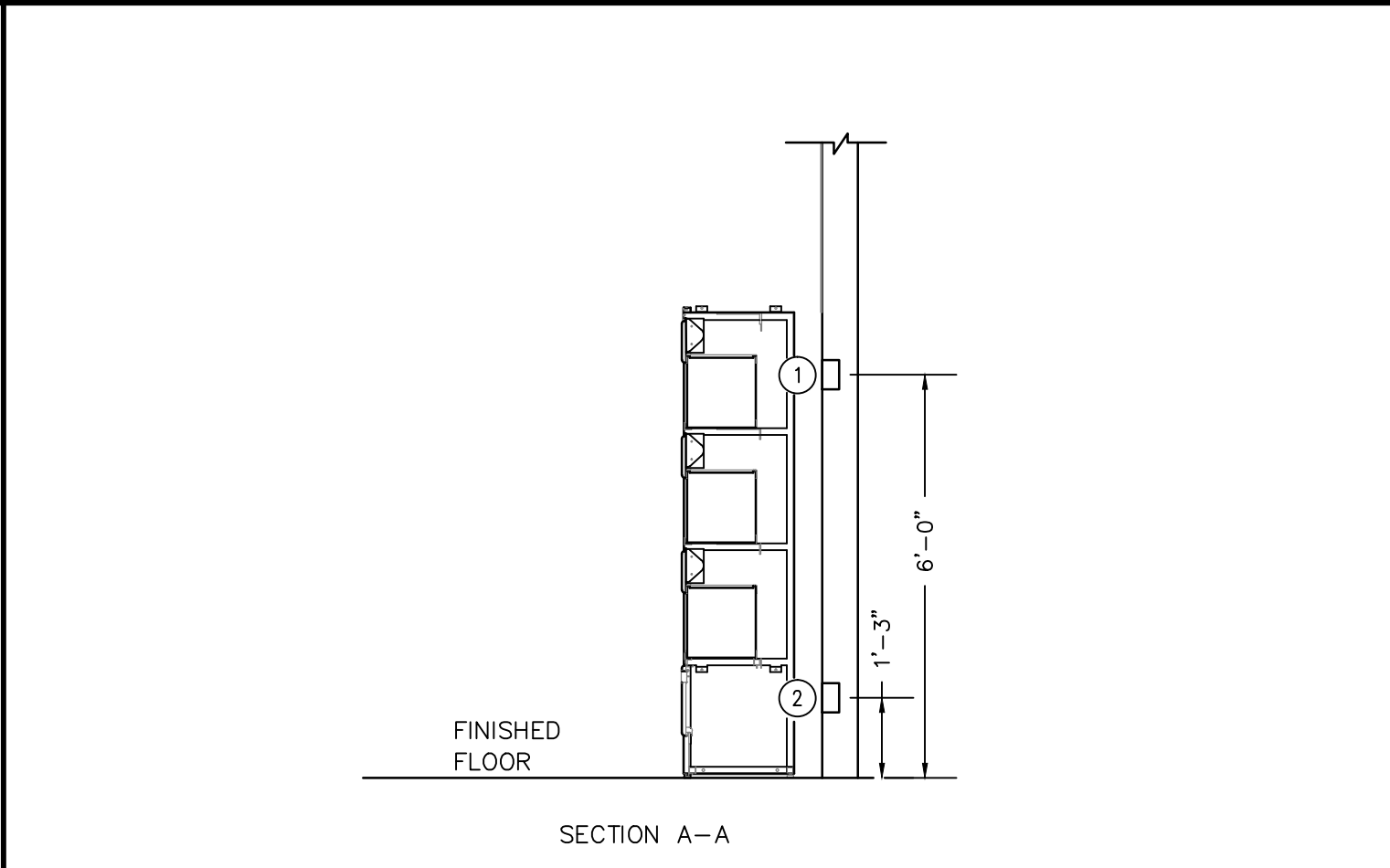
TELCO BACKBOARD 18
 REF.: 06/E2.4 NO SCALE



END CAP CONDUIT DROP 14
 REF.: NO SCALE



COLUMN DEVICES DETAIL 04
 REF.: NO SCALE



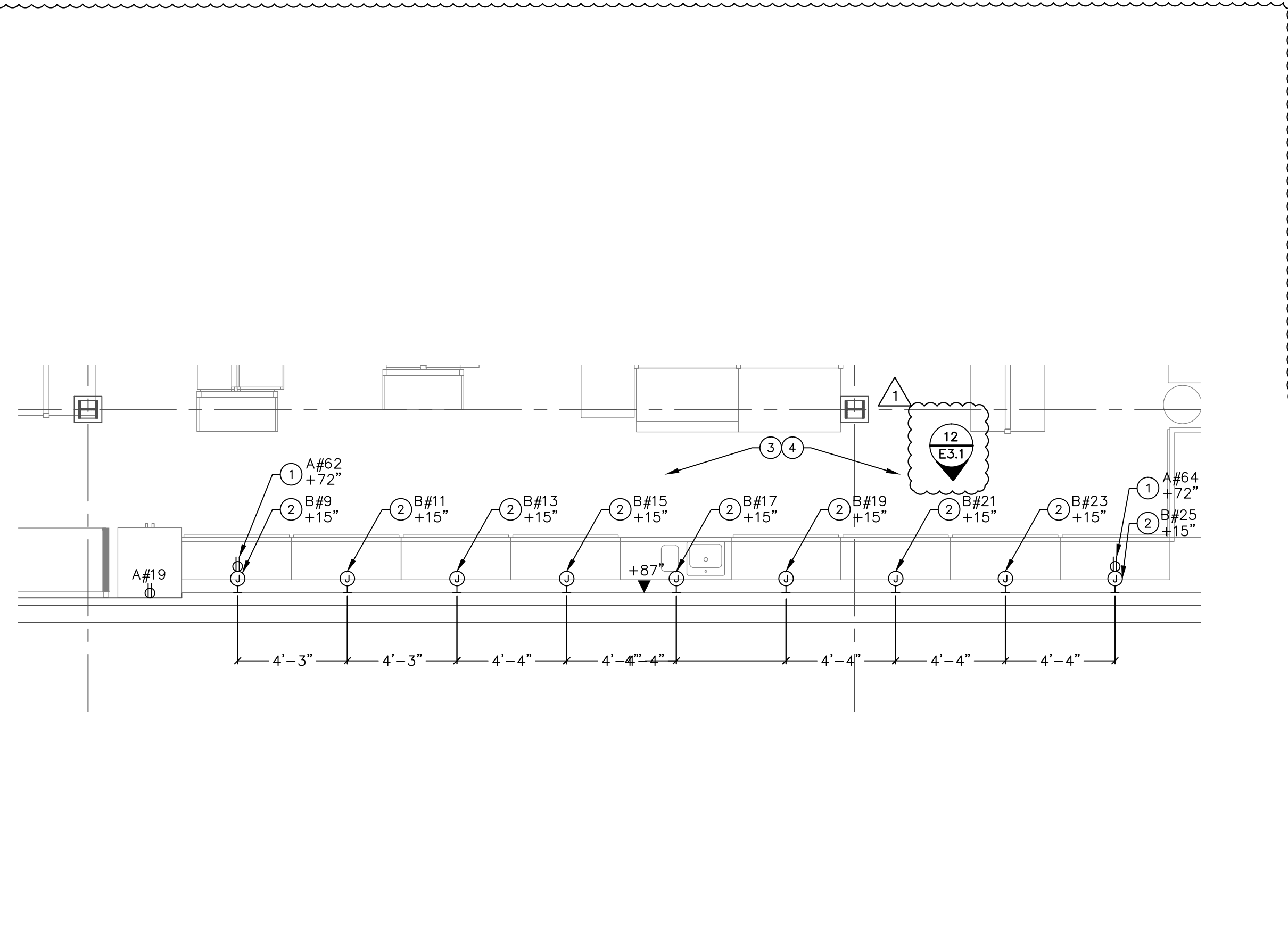
AQUARIUM DETAILS 12
 REF.: 02/E3.1 NO SCALE

NOTES FOR THIS DRAWING

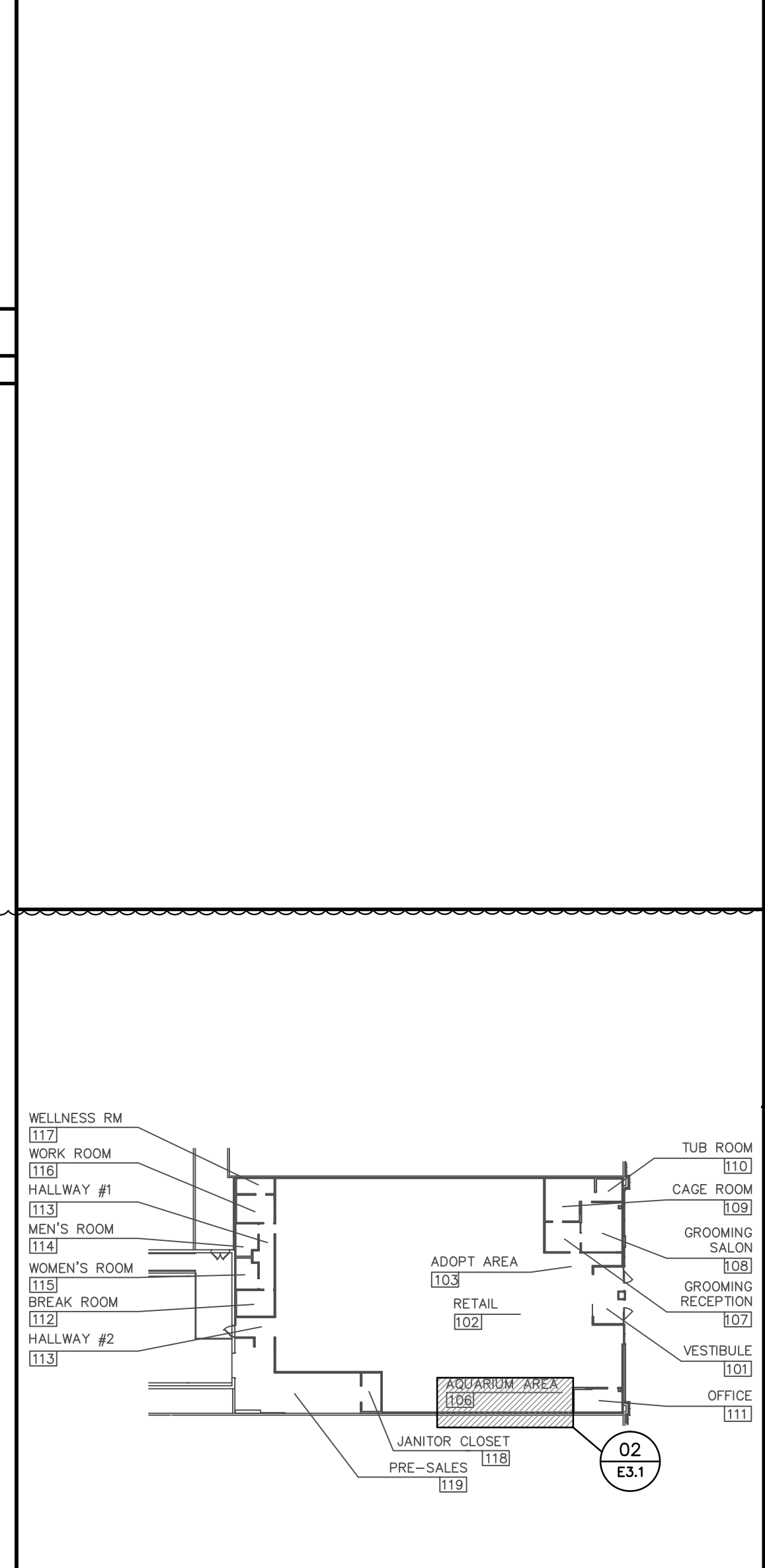
- REFER TO PANEL SCHEDULES FOR AQUARIUM ELECTRICAL LOADS.
- REFER TO SHEET E2.2 FOR POWER POLES FOR OTHER DISPLAYS.
- VERIFY WITH PETCO'S EQUIPMENT PLAN ALL AQUARIUM TYPES AND LOCATIONS.
- EACH AQUARIUM POWER JUNCTION BOX TO BE CONNECTED TO A FLEXIBLE WATER TIGHT CONDUIT CONTAINING HOT, NEUTRAL AND GROUND WIRES FOR EACH CIRCUIT.
- AQUARIUM LIGHTS ARE SWITCHED (CONTROLLED) VIA THE EMS.
- ALL DEVICES NOT SPECIFICALLY DIMENSIONED MAY BE LOCATED +/- 8" IN EITHER DIRECTION IN PLAN FROM THEIR APPROPRIATE LOCATION SHOWN (TO NEAREST STUD OR NEAREST CMU CORE).

KEYNOTES (SYMBOLS ①, ② ETC.)

- DUPLEX OUTLETS FOR AQUARIUM LIGHTING INTEGRAL TO TANKS.
- CIRCUIT POWER JUNCTION BOXES FOR AQUARIUM TANKS AS SHOWN (ONE DEDICATED CIRCUIT PER FIXTURE). PROVIDE 4"x4"x1-1/2" POWER JUNCTION BOXES ON WALL AND 72" LENGTH OF 1/2" LIQUID-TIGHT FLEXIBLE CONDUIT WHIP FROM EACH AQUARIUM POWER JUNCTION BOX FOR CONNECTION TO POWER BOX ON AQUARIUM TANKS. FINAL CONNECTION TO AQUARIUM POWER BY E.C..
- COORDINATE WITH PLUMBING CONTRACTOR FOR LOCATIONS OF ALL VENT AND WATER PIPING VERSUS CONDUIT AND DEVICES.
- DEVICE OR J-BOX ASSOCIATED WITH AQUARIUM AREA TO HAVE STAINLESS STEEL COVER PLATE.



LARGE SCALE AQUARIUM AREA PLAN 02
 REF.: 06/E2.2 1/4"=1'-0"



KEY PLAN 01
 REF.: NO SCALE

ACERTUS CONSULTING GROUP, LLC
 14817 West 95th Street ♦ Lenexa, Kansas 66215
 P 913 322 5150 ♦ F 913 322 5155
 www.AcertusGroup.com
 Registered Engineering Firm F-11902

petco
 PETCO ANIMAL SUPPLIES STORES, INC. 6834 WESLEY STREET GREENVILLE, TX 75402
 PETCO "GREENVILLE, TX"

DISTRIBUTION:	DATE:
25% SUBMISSION	06-28-11
75% SUBMISSION	08-11-11
98% SUBMISSION	08-16-11
100% SUBMISSION	09-23-11
PERMIT SET	09-28-11
FINAL PERMIT SET	09-20-13
BULLETIN #1	10-22-14

DRAWING TITLE:
 ELECTRICAL LARGE SCALE PLANS AND DETAILS
E3.1