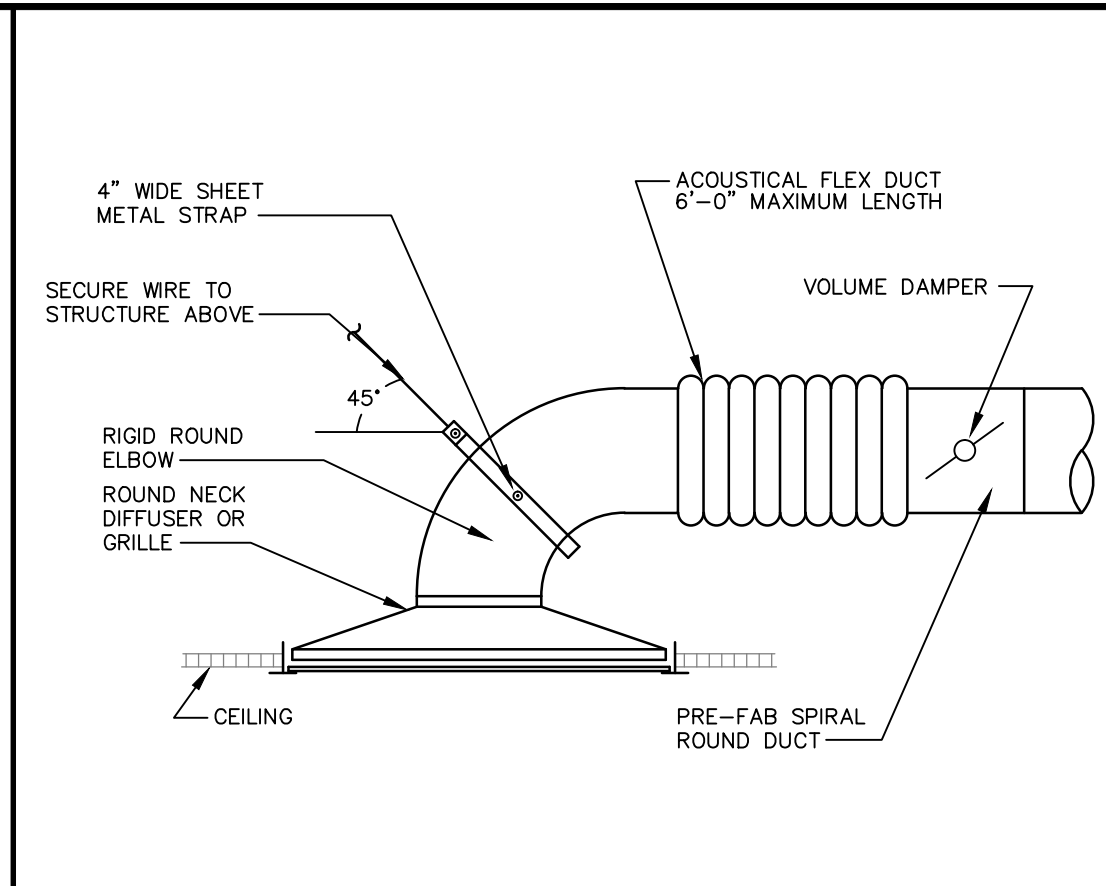
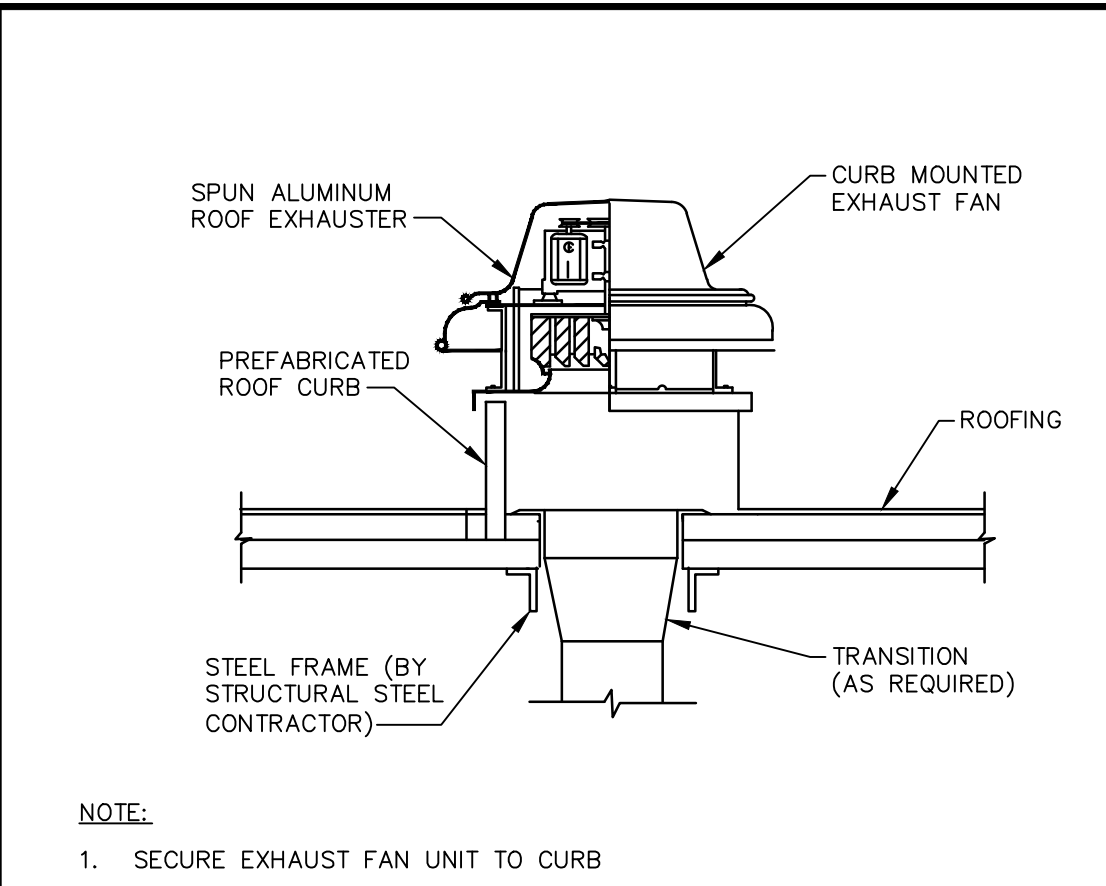


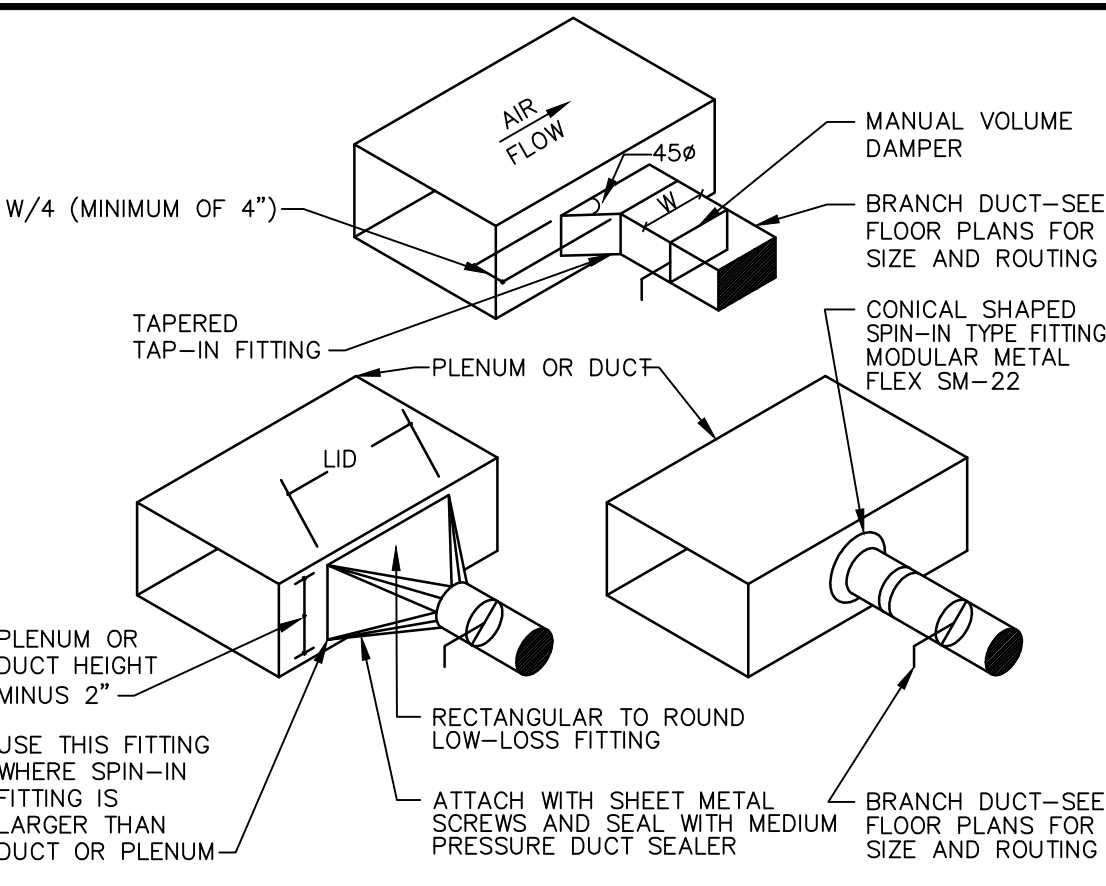
CONTRACTOR(S) SHALL VERIFY EXISTING CONDITIONS AND CORRELATE DIMENSIONS PRIOR TO PROVIDING THE WORK DETAILED IN THESE DRAWINGS. AND SHALL PROMPTLY NOTIFY THE ARCHITECT OF ANY DISCREPANCIES.
 © COPYRIGHT SBLM, ARCHITECTS P.C. UNAUTHORIZED REPRODUCTION OR OTHER USE OF THIS DRAWING IS PROHIBITED.



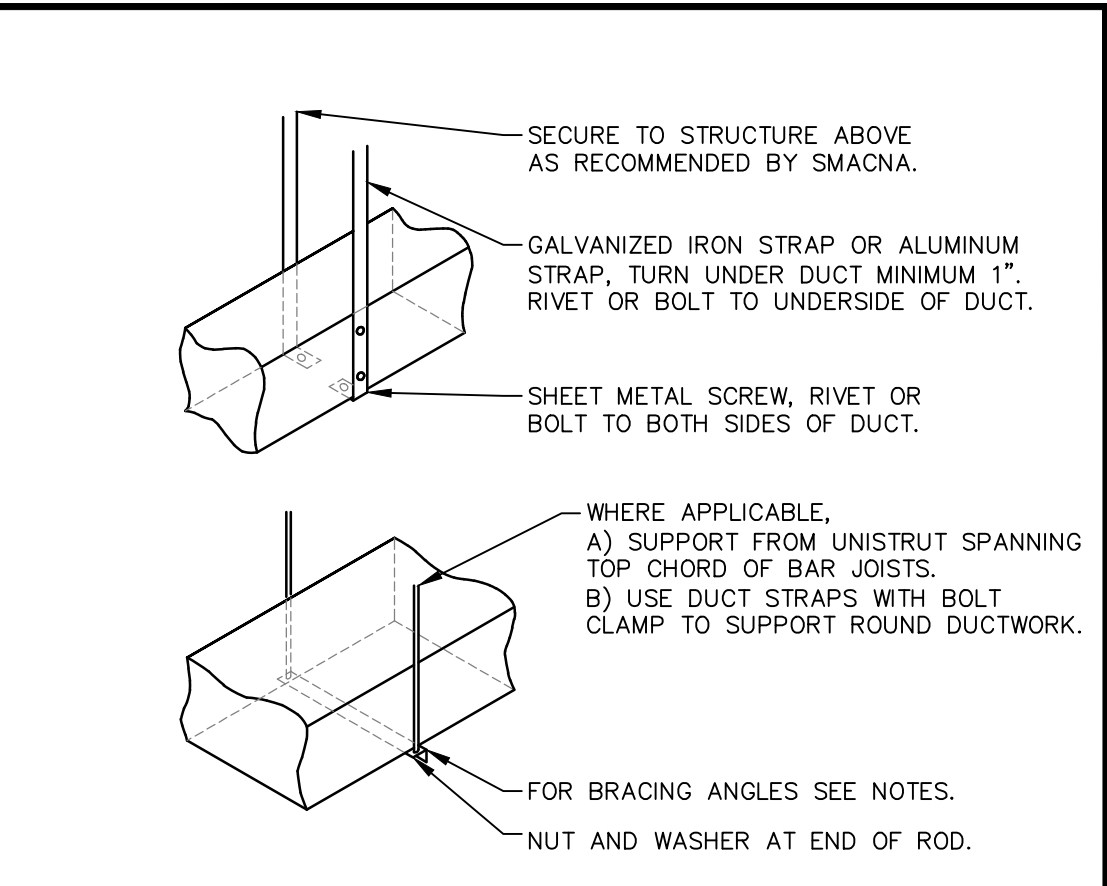
DIFFUSER CONNECTION DETAIL 19
 REF.: NO SCALE



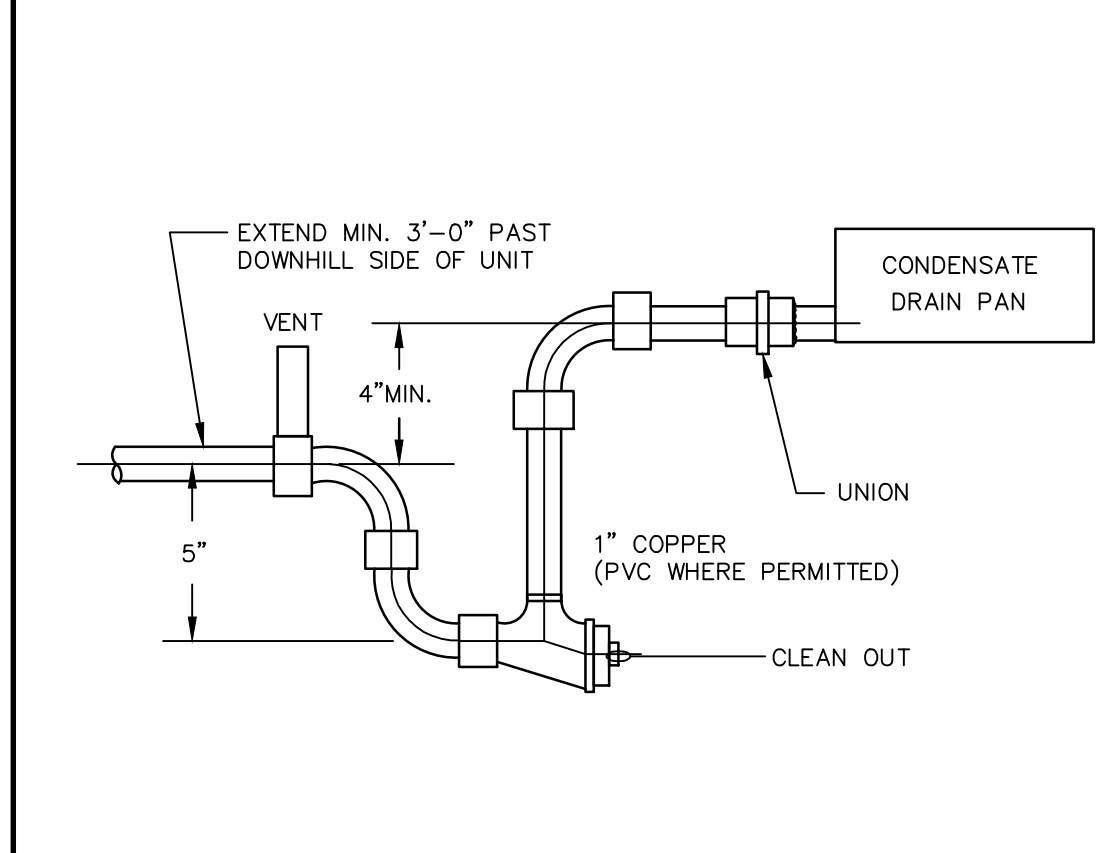
ROOF-TOP EXHAUST FAN DETAIL 18
 REF.: NO SCALE



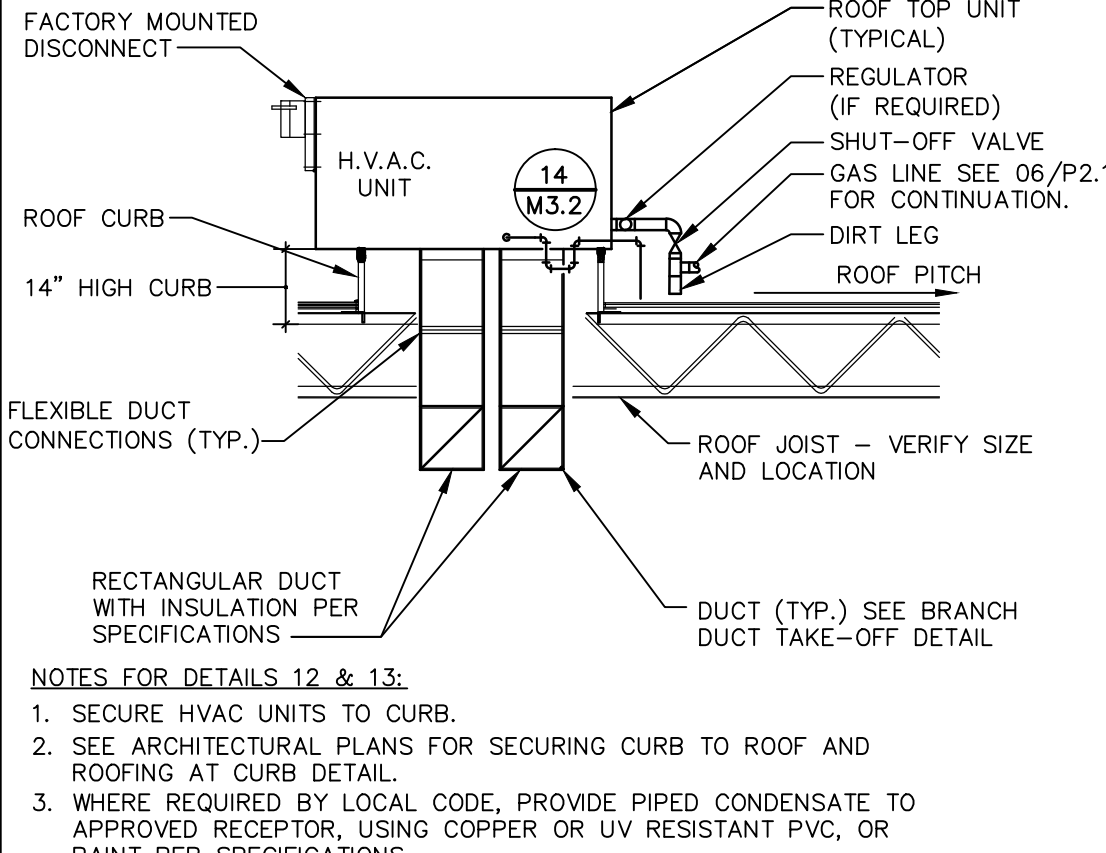
BRANCH DUCT TAKE-OFF DETAIL 17
 REF.: 06/M2.1



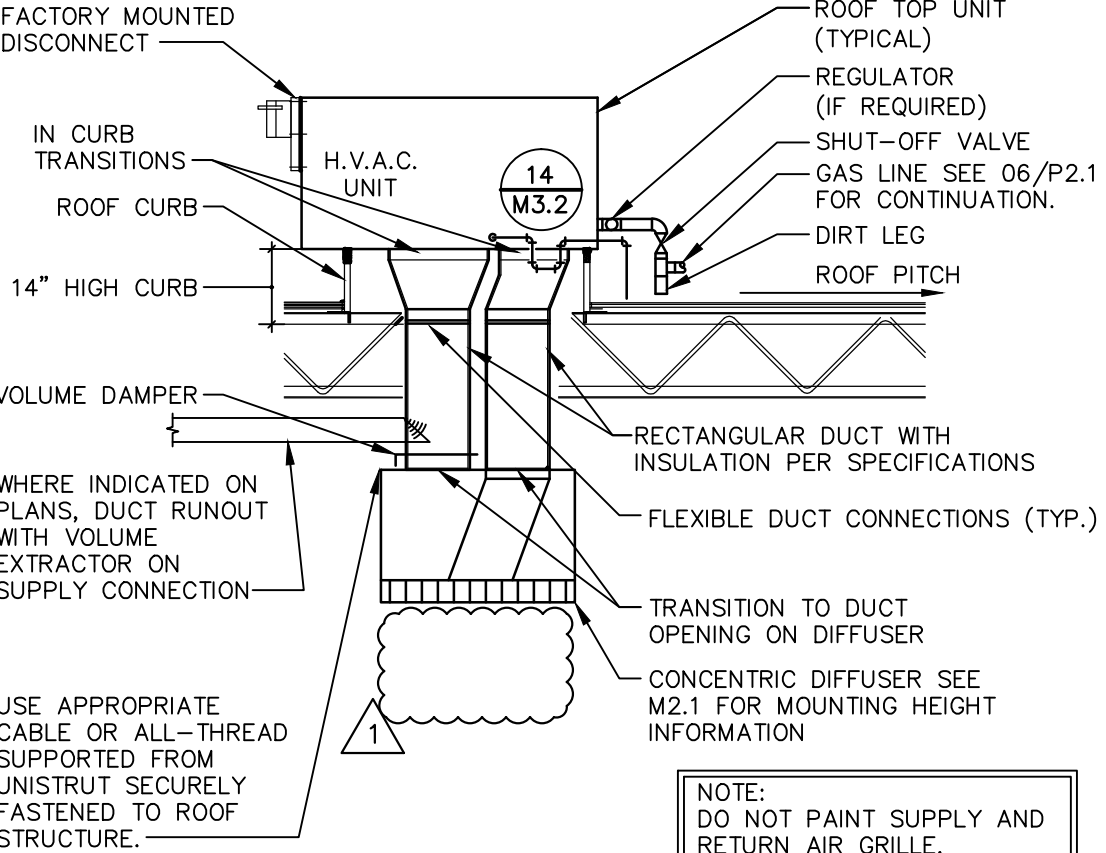
DUCT HANGER DETAILS 16
 REF.: NO SCALE



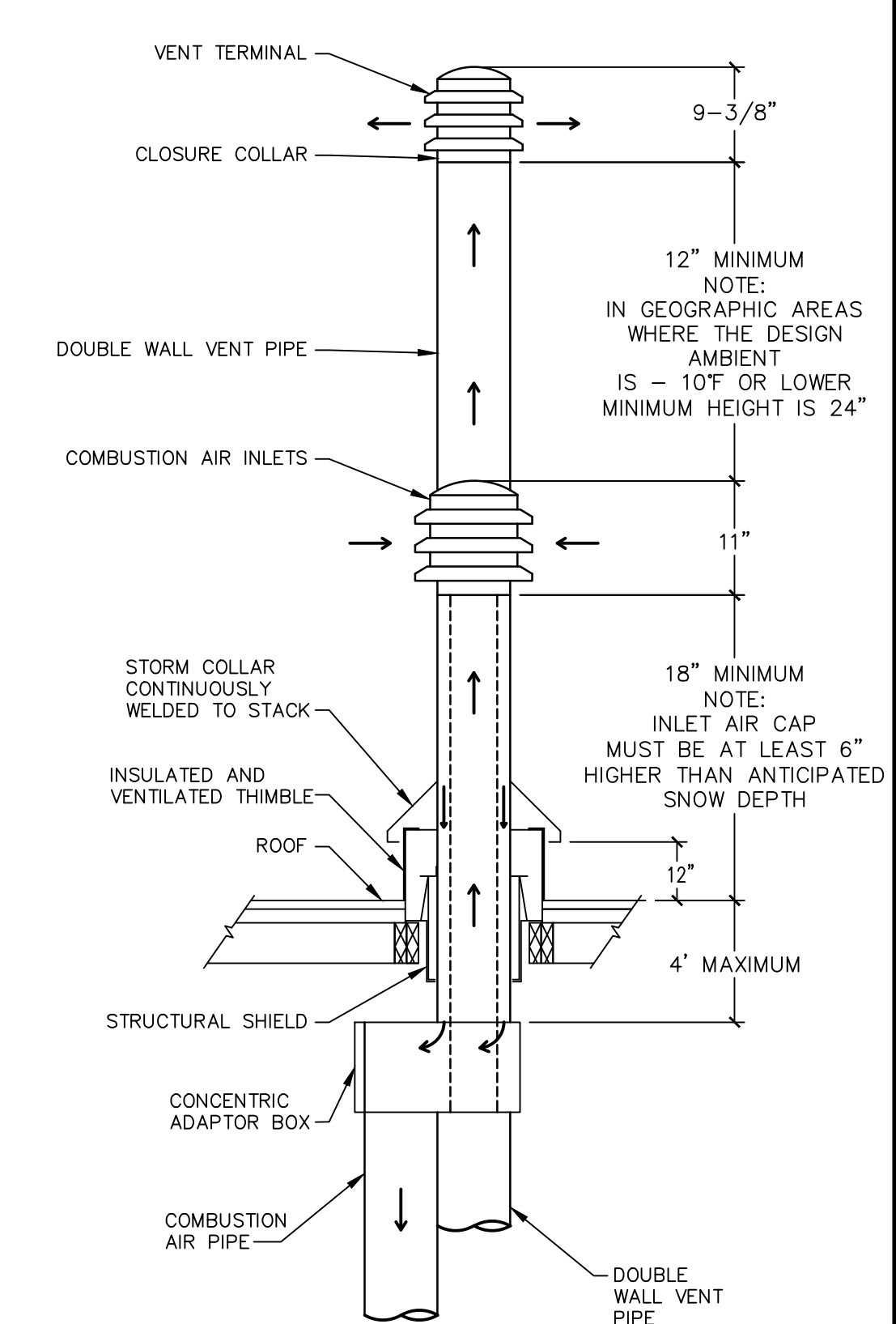
CONDENSATE TRAP DETAIL 14
 REF.: 12/M3.2, 13/M3.2



RTU PACKAGE HVAC UNIT DETAIL 13
 REF.: 06/M2.1

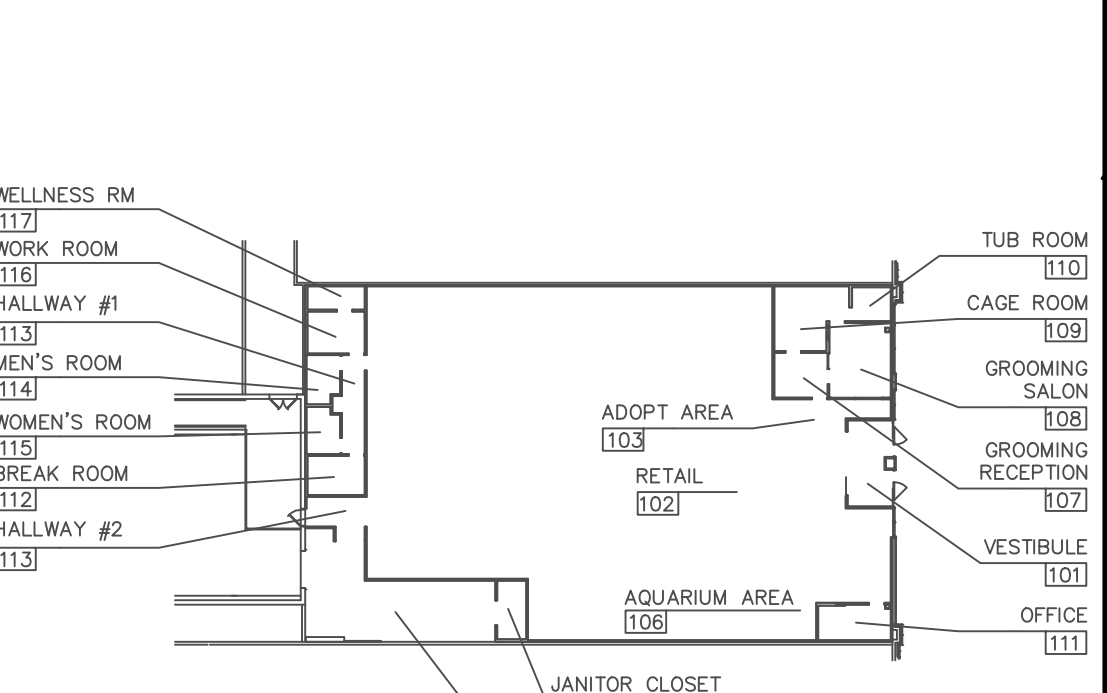


RTU PACKAGE HVAC UNIT DETAIL 12
 REF.: 06/M2.1, 13/M3.2

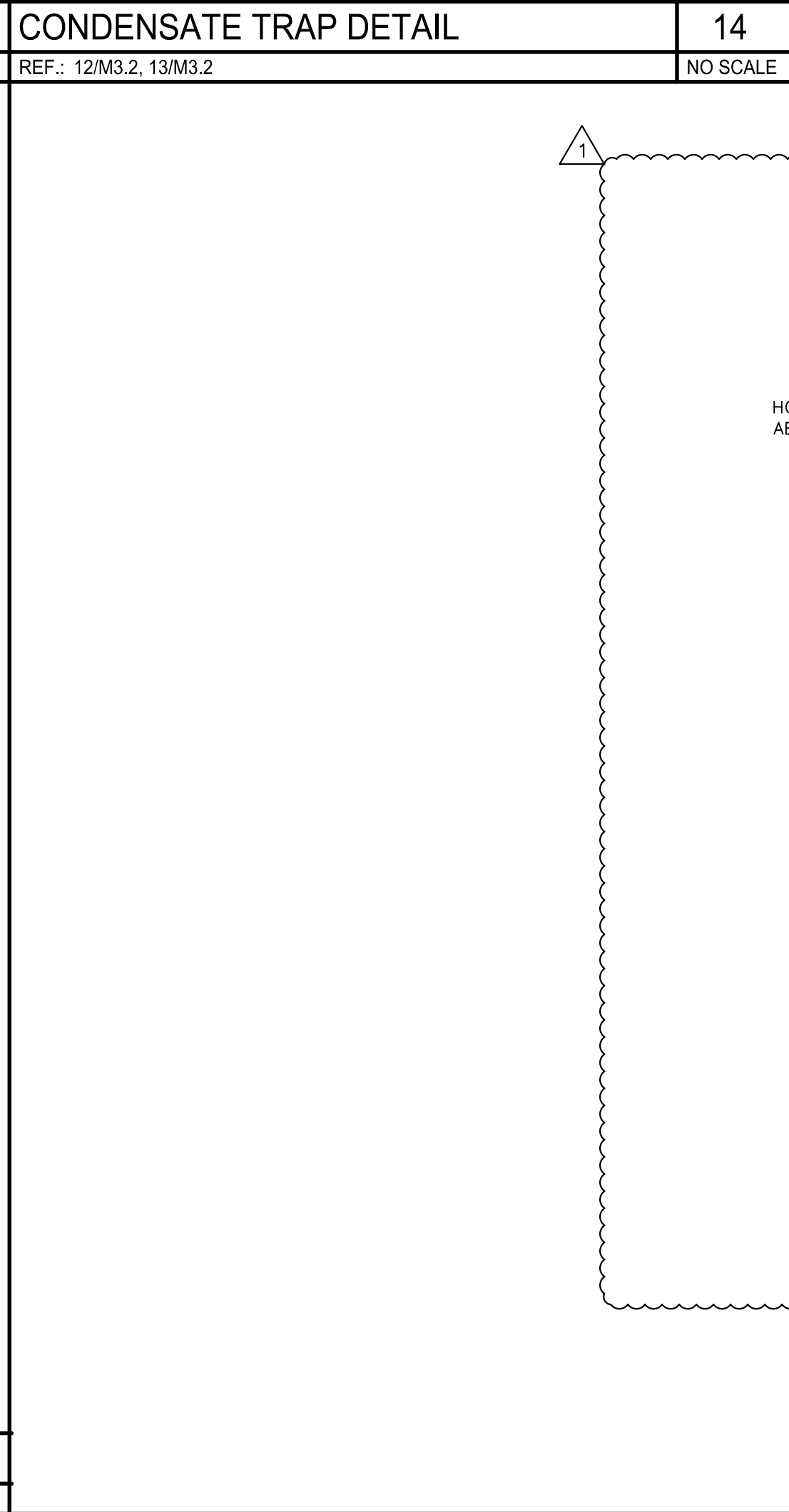


FLUE THROUGH ROOF DETAIL 06
 REF.: 06/M2.1

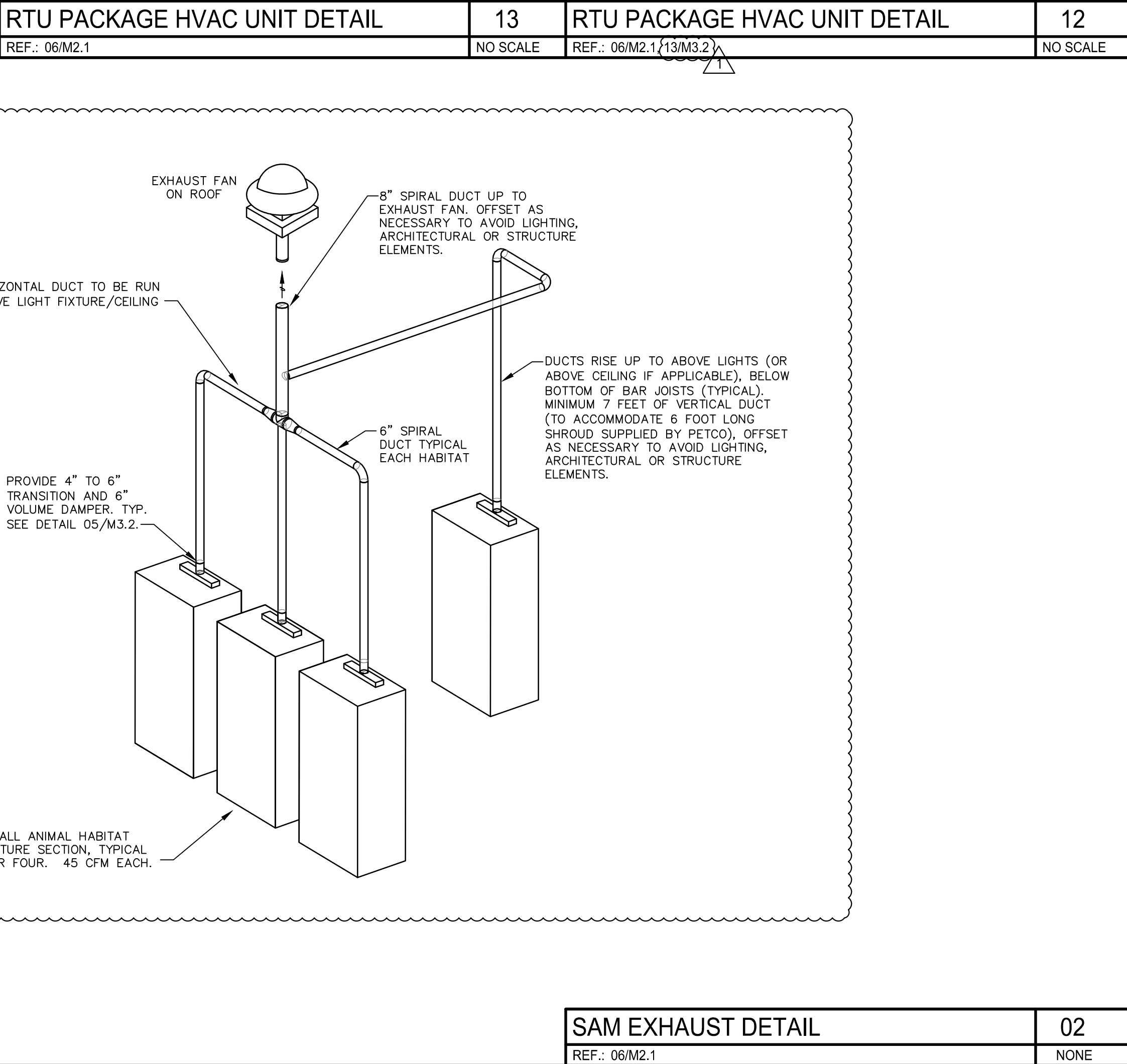
DISTRIBUTION	DATE
25% SUBMISSION	06-28-11
75% SUBMISSION	08-11-11
98% SUBMISSION	08-16-11
100% SUBMISSION	09-23-11
PERMIT SET	09-28-11
FINAL PERMIT SET	09-20-13
BULLETIN #1	10-22-14



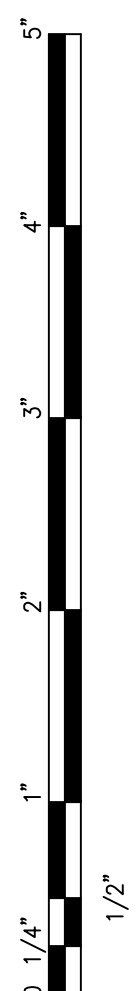
KEY PLAN 01
 REF.: NO SCALE



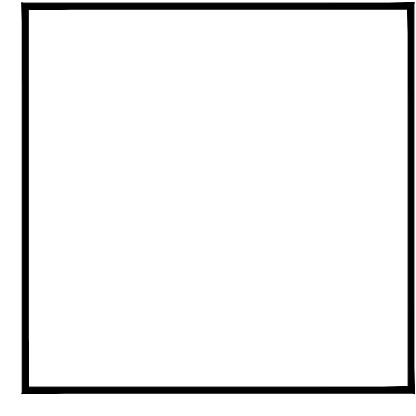
ROUND VOLUME DAMPER DETAIL 05
 REF.: NONE



SAM EXHAUST DETAIL 02
 REF.: 06/M2.1



ACERTUS CONSULTING GROUP, LLC
 14817 West 95th Street ♦ Lenexa, Kansas 66215
 P 913 322 5150 ♦ F 913 322 5155
 www.AcertusGroup.com
 Registered Engineering Firm
 F-11902



petco
 PETCO ANIMAL SUPPLIES STORES, INC. PETCO "GREENVILLE, TX"
 6834 WESLEY STREET GREENVILLE, TX 75402

DISTRIBUTION	DATE
25% SUBMISSION	06-28-11
75% SUBMISSION	08-11-11
98% SUBMISSION	08-16-11
100% SUBMISSION	09-23-11
PERMIT SET	09-28-11
FINAL PERMIT SET	09-20-13
BULLETIN #1	10-22-14

MECHANICAL DETAILS
M3.2