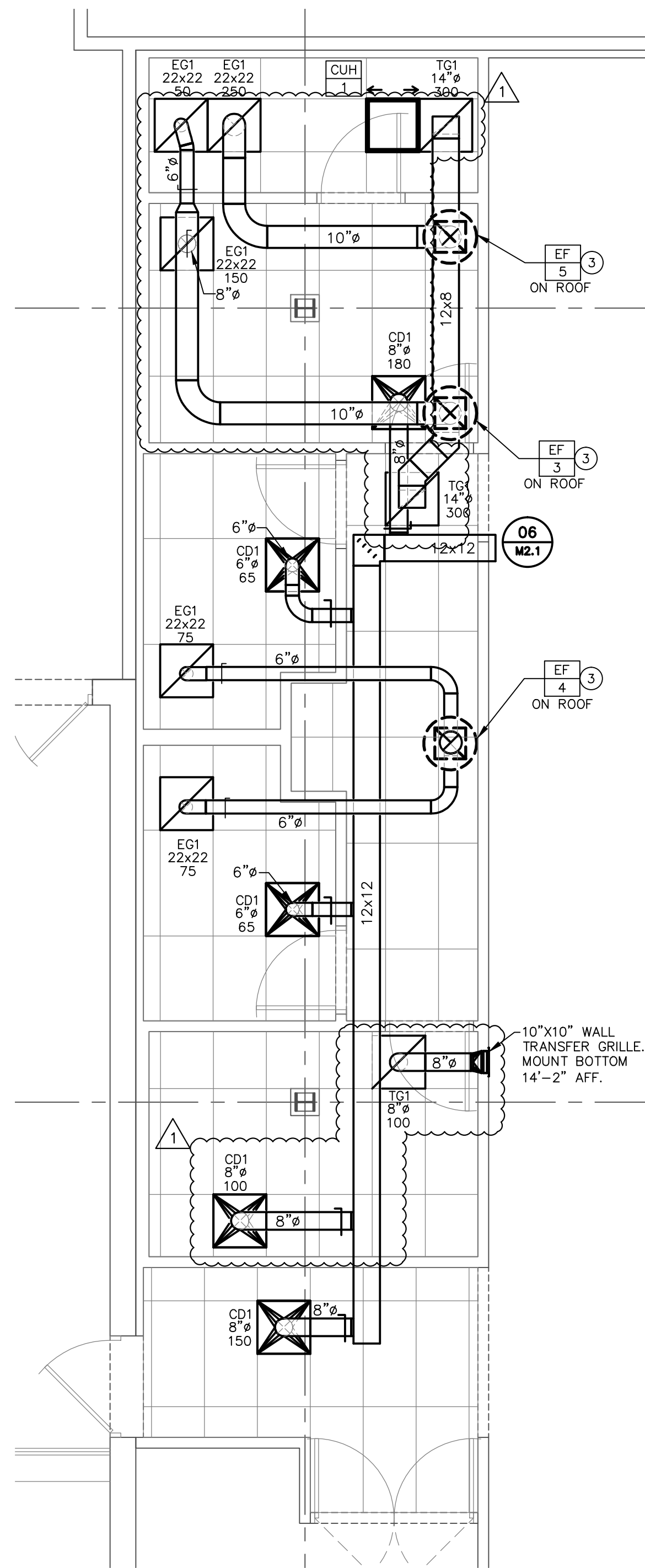
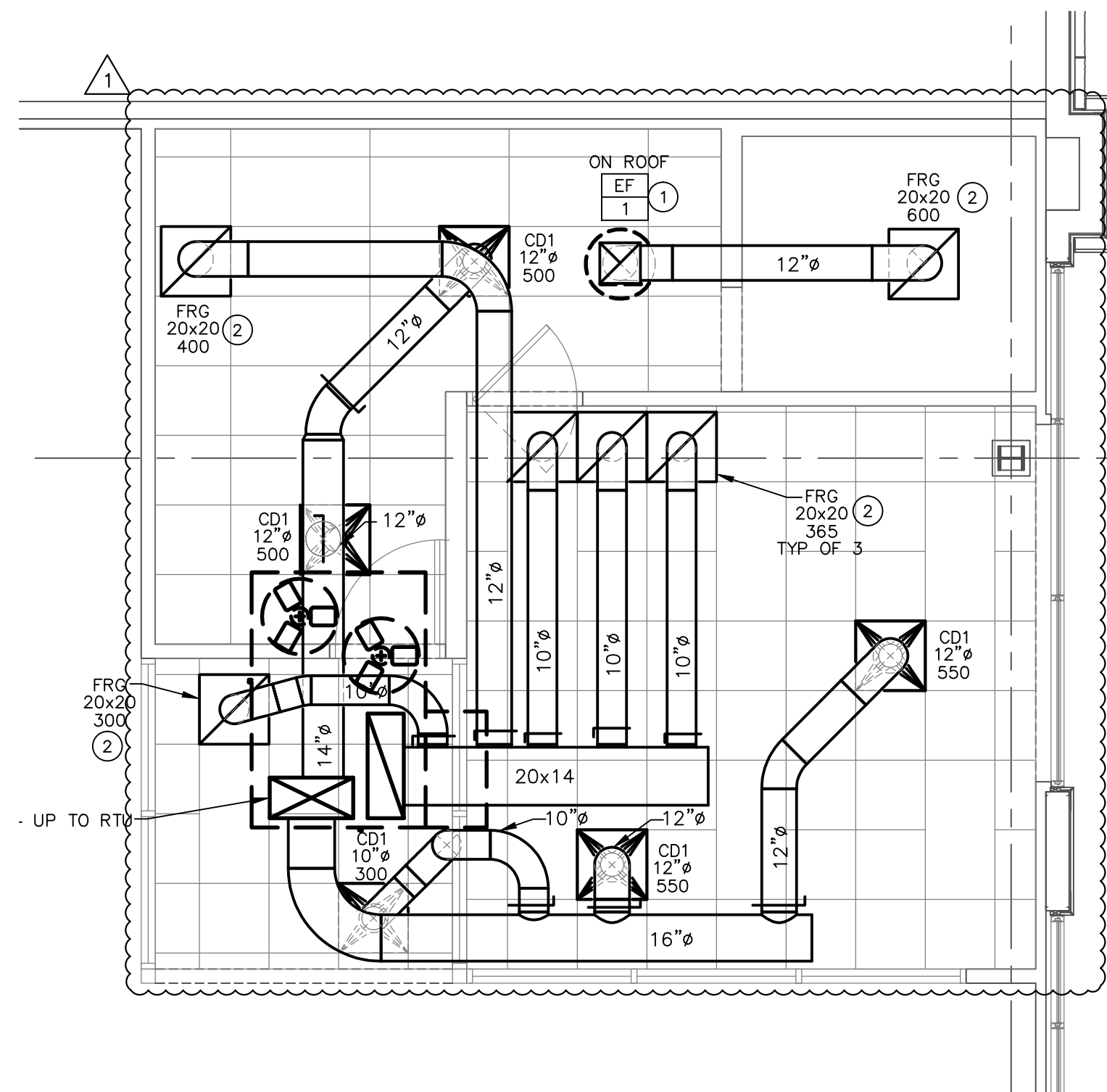


CONTRACTOR(S) SHALL VERIFY EXISTING CONDITIONS AND CORRELATE DIMENSIONS PRIOR TO PROVIDING THE WORK DETAILED IN THESE DRAWINGS. AND SHALL PROMPTLY NOTIFY THE ARCHITECT OF ANY DISCREPANCIES.  
 © COPYRIGHT SBLM, ARCHITECTS P.C. UNAUTHORIZED REPRODUCTION OR OTHER USE OF THIS DRAWING IS PROHIBITED.



LARGE SCALE SUPPORT AREA PLAN 05  
 REF.: 06/M2.1 1/4" = 1'-0"



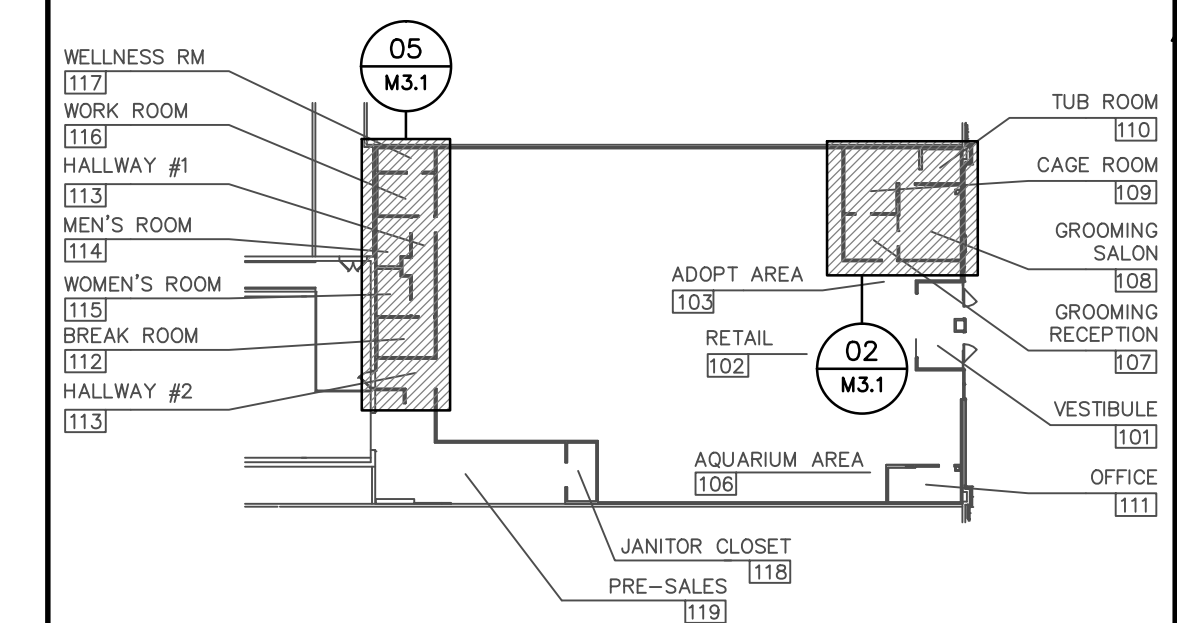
LARGE SCALE GROOMING HVAC PLAN 02  
 REF.: 06/M2.1 1/4" = 1'-0"

NOTES FOR THIS DRAWING

1. MAINTAIN MINIMUM 10'-0" BETWEEN OUTSIDE AIR INTAKES AND ANY EXHAUST OUTLET OR PLUMBING VENT.
2. REFER TO SHEET E2.5 FOR CONTROL DEVICES.
3. ALL DUCTWORK IN AREAS WITH SUSPENDED CEILINGS SHALL BE CONCEALED ABOVE CEILING.
4. CONTRACTOR MAY AT HIS DISCRETION, USE ROUND DUCT OF EQUIVALENT SIZE IN LIEU OF RECTANGULAR IN CONCEALED AREAS. DUCT SHALL BE INSULATED AS SPECIFIED.

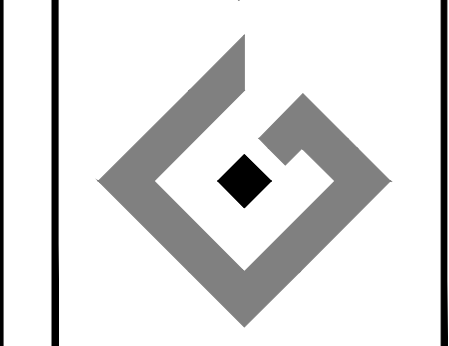
KEYNOTES (SYMBOLS ①, ② ETC.)

1. 12" ROUND DUCT UP TO EF ON ROOF.
2. GRILLE WITH HINGED FRAME FOR INTEGRAL, WASHABLE FILTER.
3. 10" ROUND DUCT UP TO EXHAUST FAN ON ROOF.



KEY PLAN 01  
 REF.: NO SCALE

**ACERTUS CONSULTING GROUP, LLC**  
 14817 West 95th Street ♦ Lenexa, Kansas 66215  
 P 913 322 5150 ♦ F 913 322 5155  
 www.AcertusGroup.com  
 Registered Engineering Firm F-11902



**petco.**  
 PETCO ANIMAL SUPPLIES STORES, INC. 6834 WESLEY STREET GREENVILLE, TX 75402  
 PETCO "GREENVILLE, TX"

DISTRIBUTION:	DATE:
25% SUBMISSION	06-28-11
75% SUBMISSION	08-11-11
98% SUBMISSION	08-16-11
100% SUBMISSION	09-23-11
PERMIT SET	09-28-11
FINAL PERMIT SET	09-20-13
BULLETIN #1	10-22-14

DRAWING TITLE:  
 MECHANICAL LARGE SCALE PLANS AND DETAILS  
**M3.1**