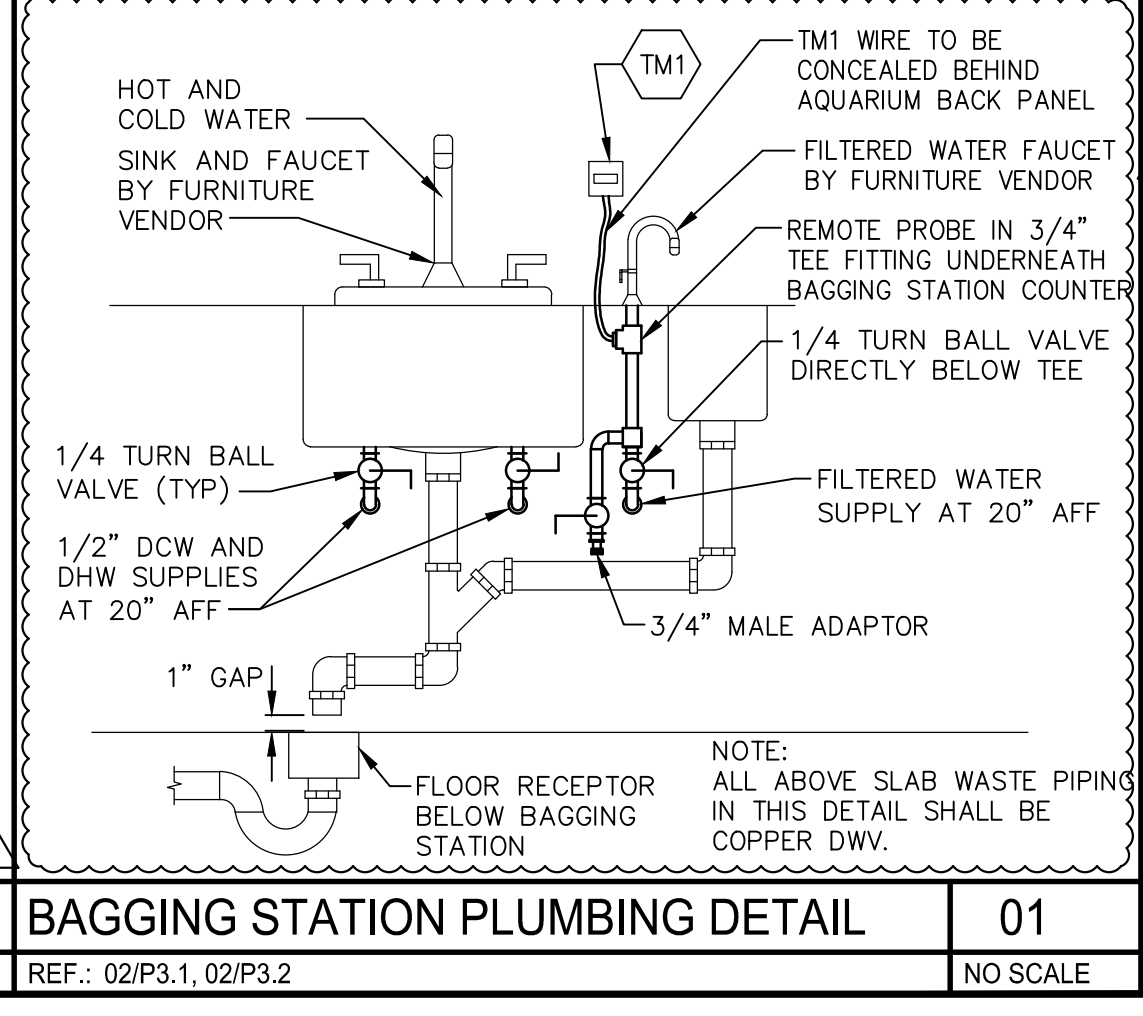
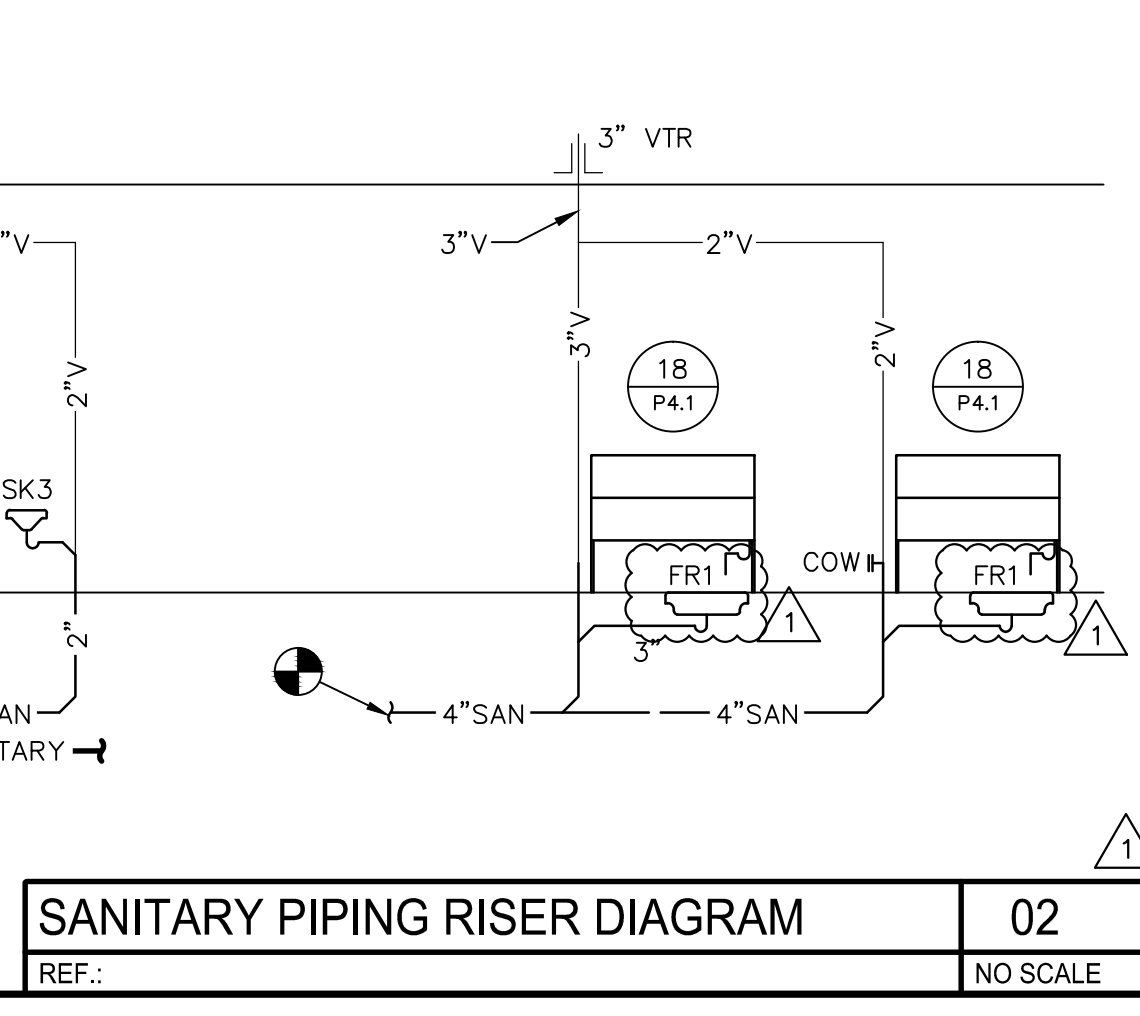
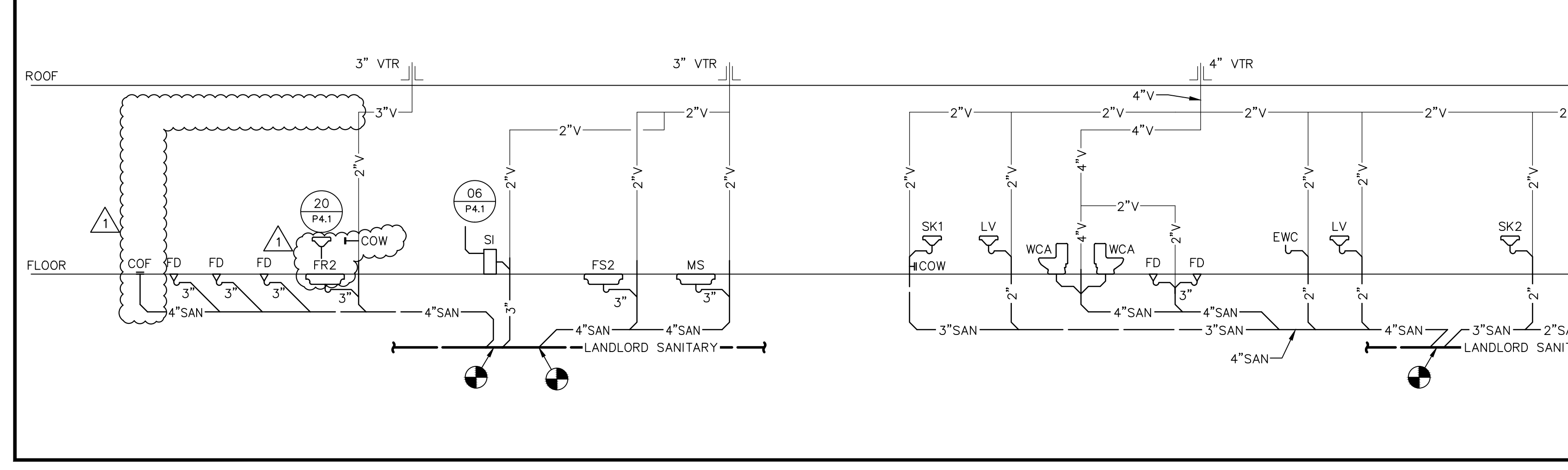
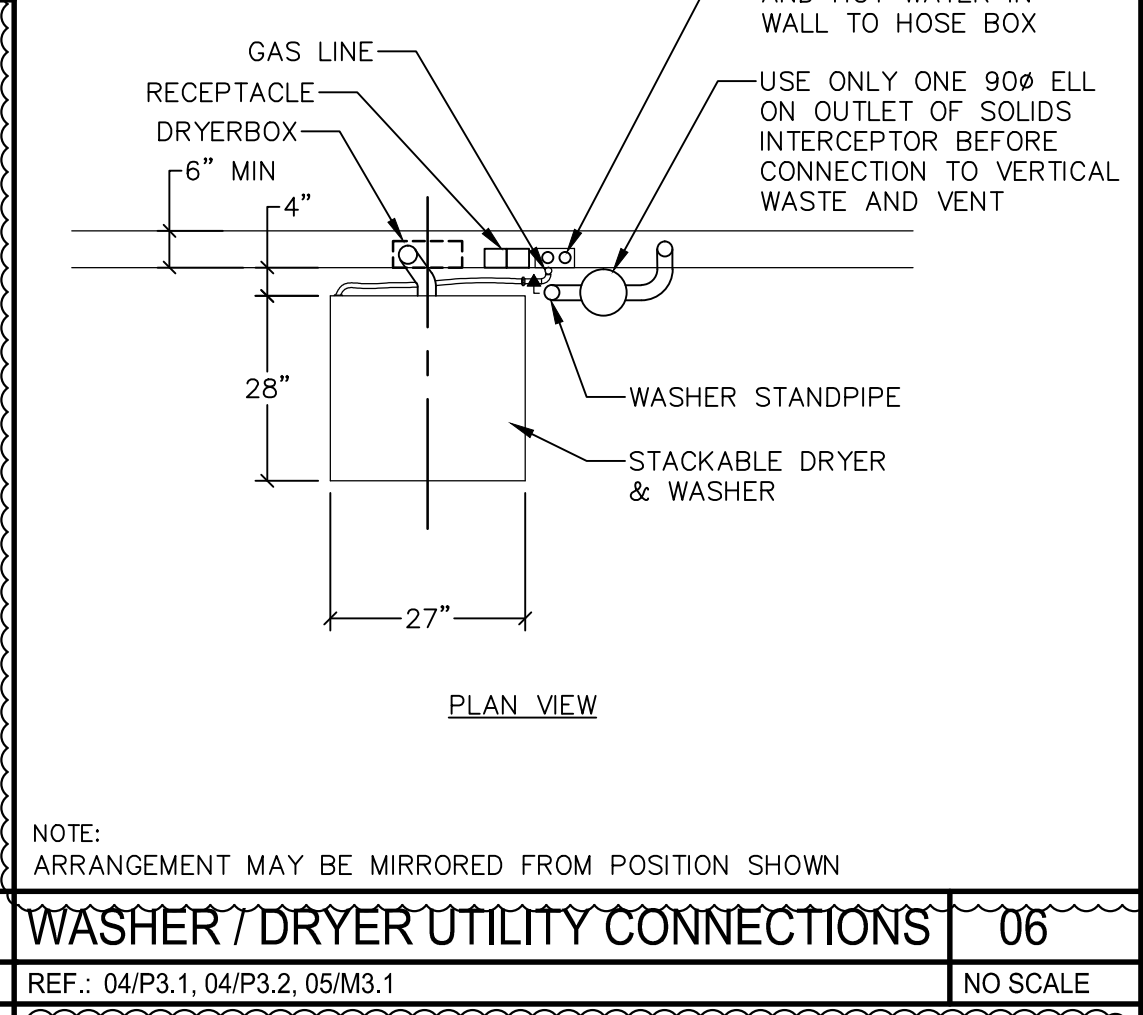
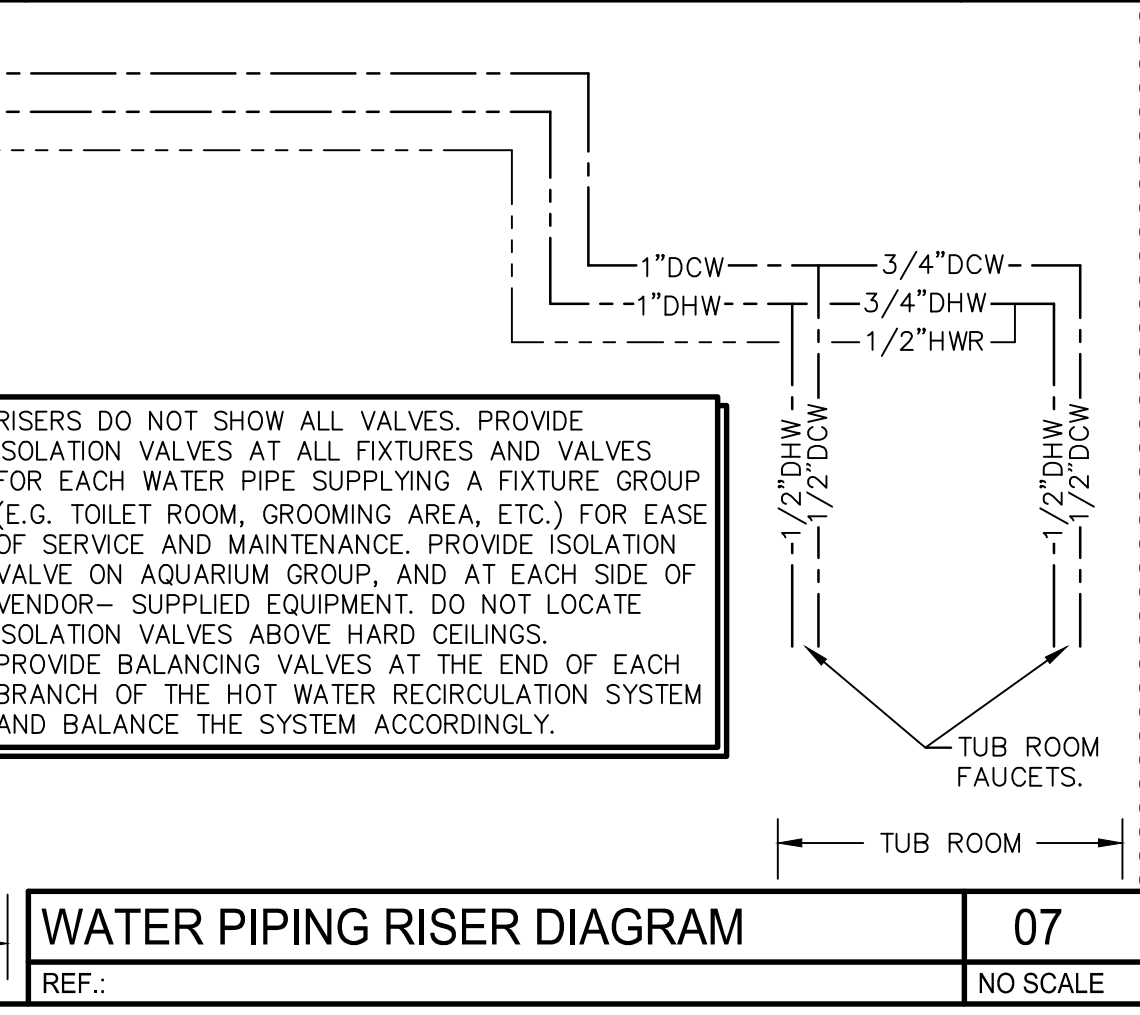
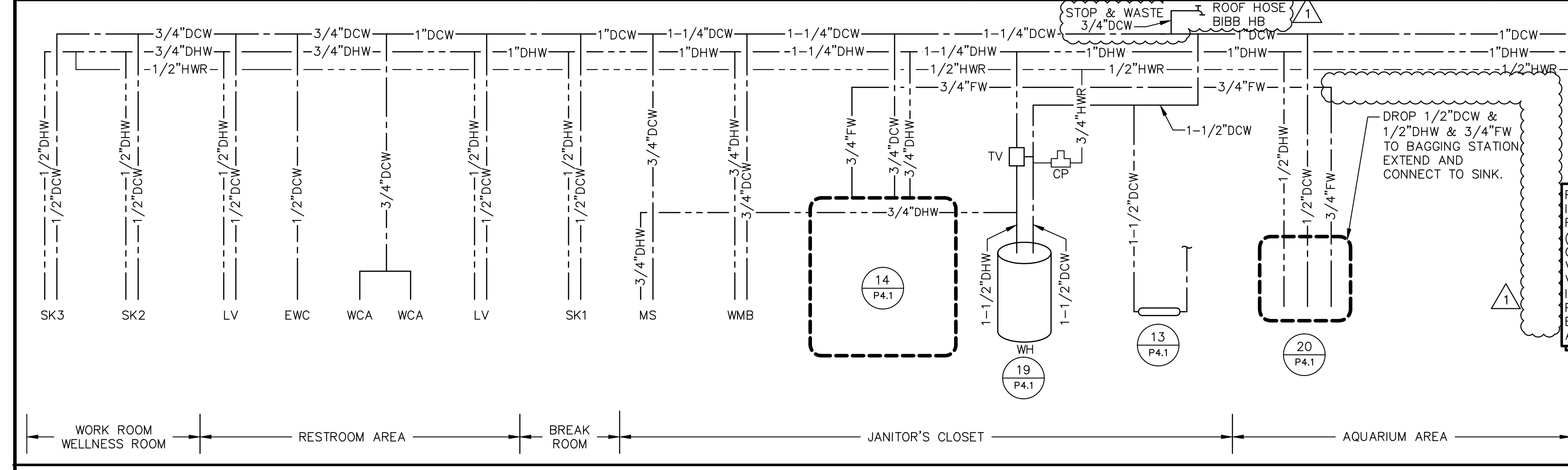
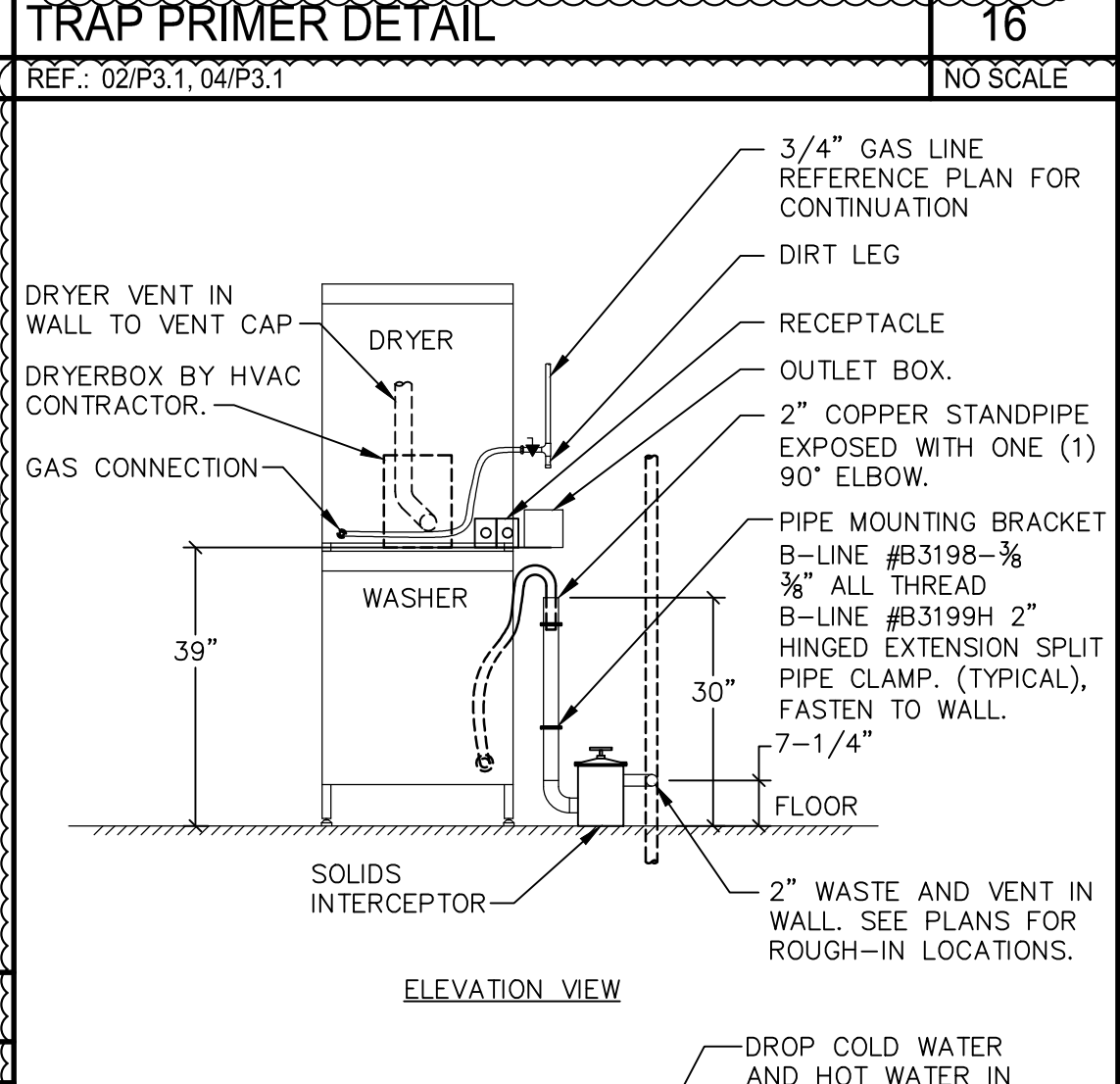
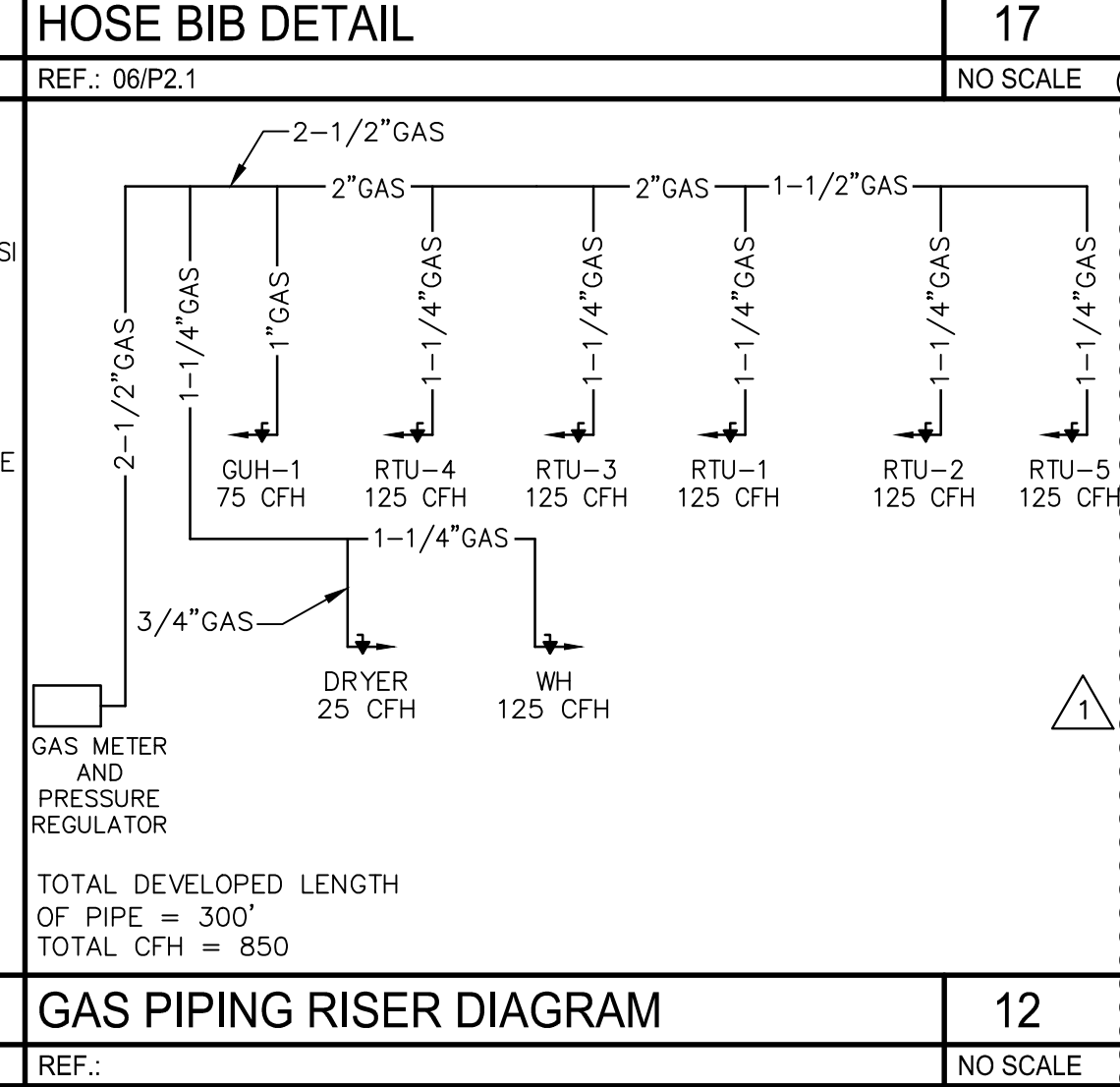
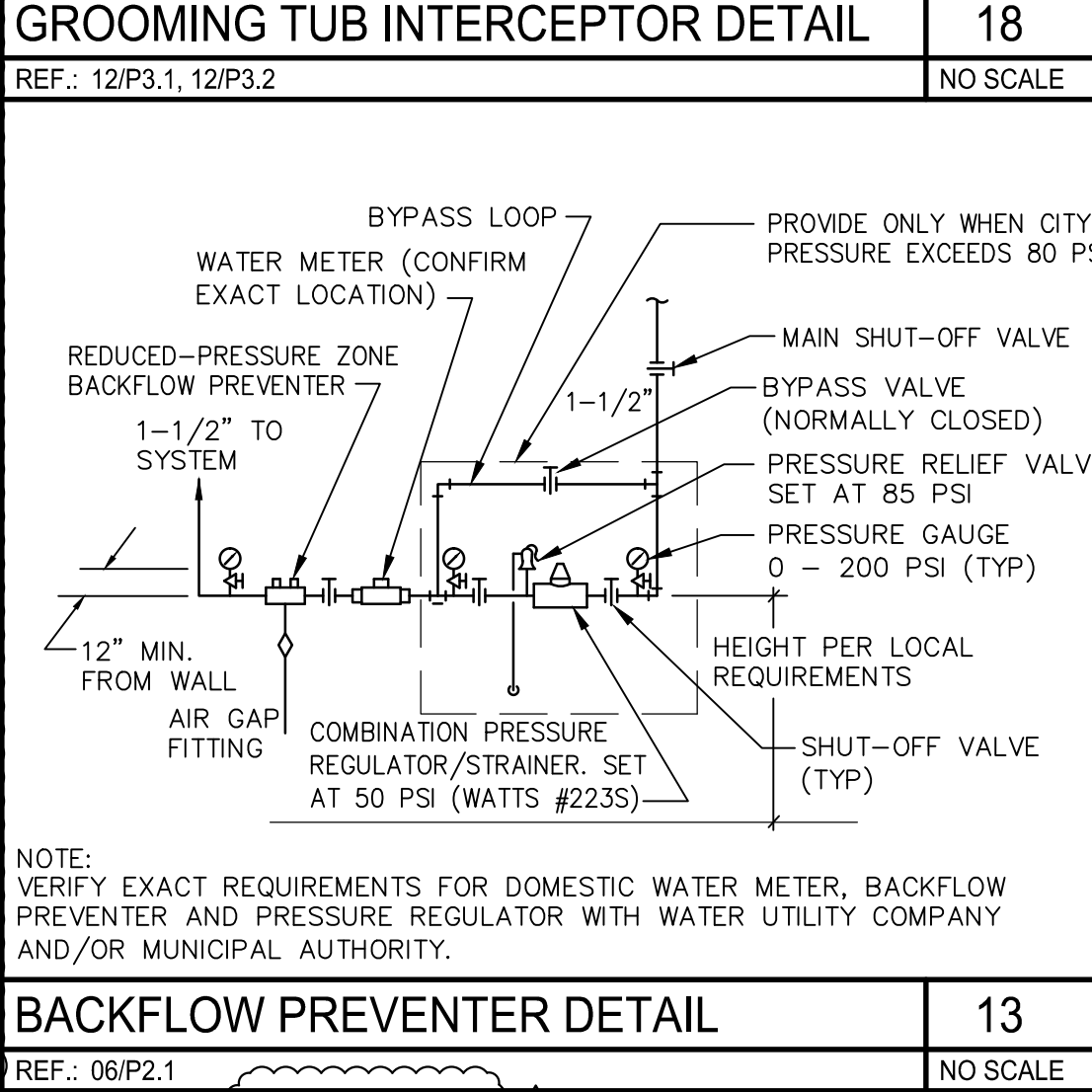
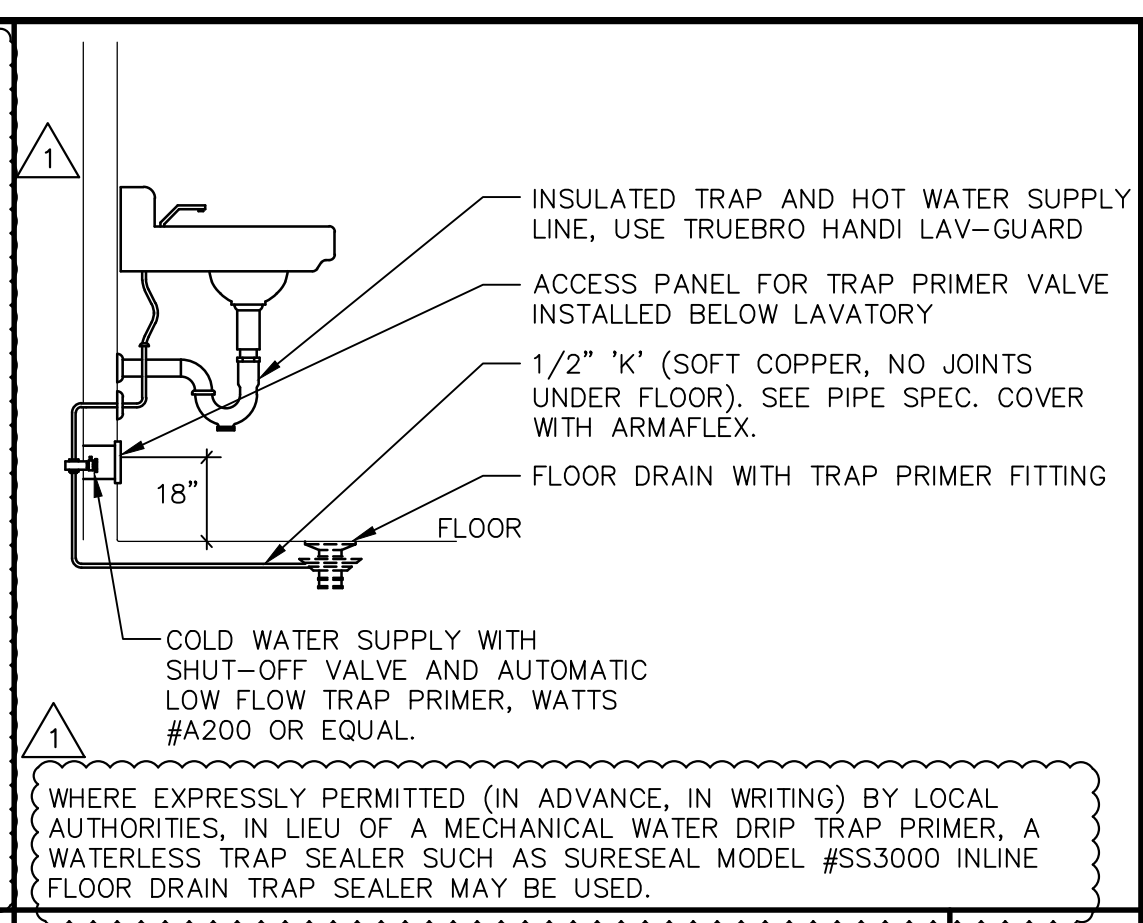
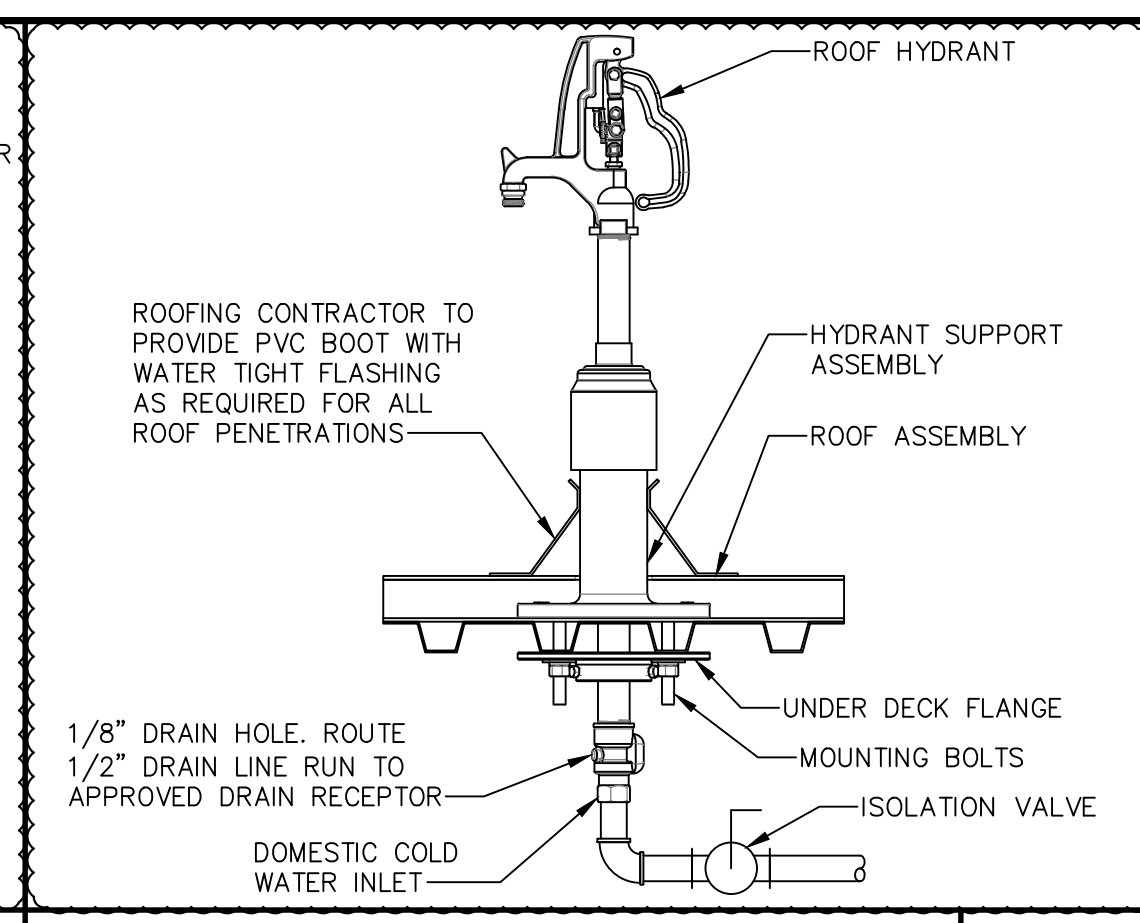
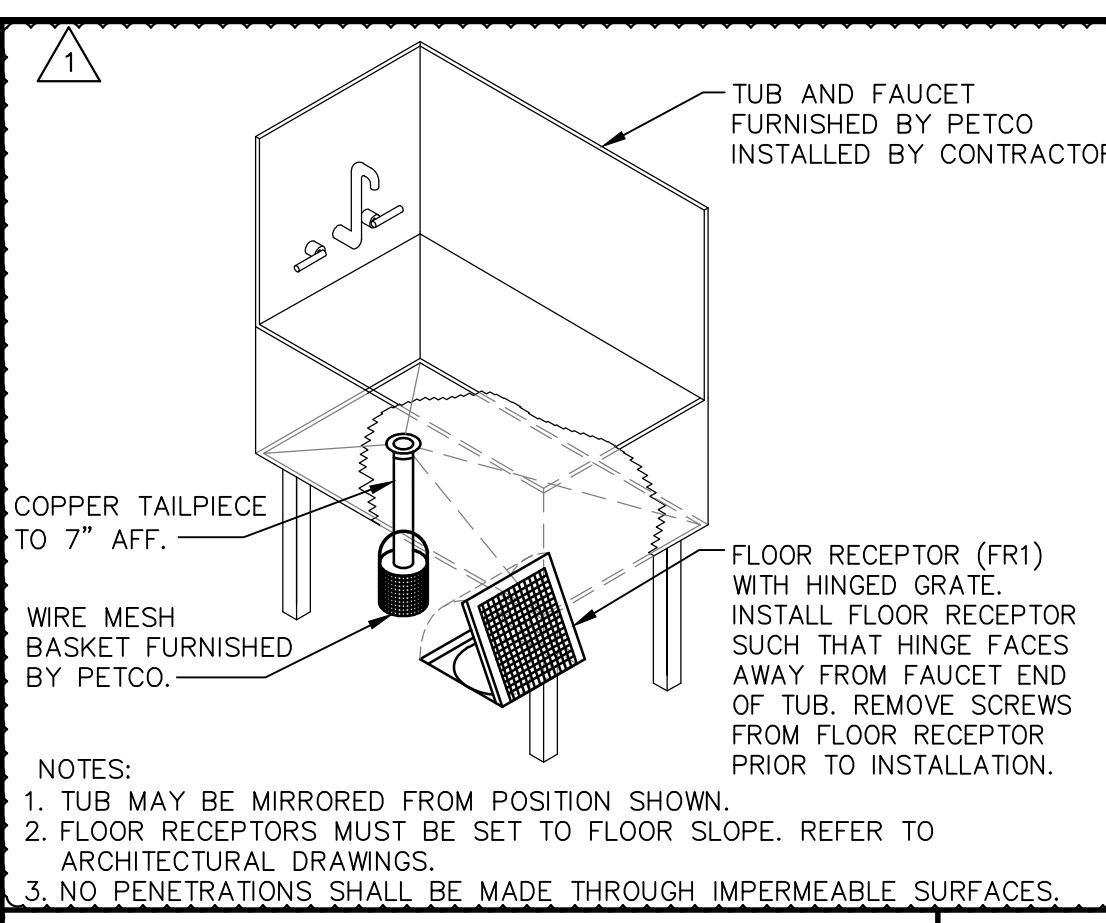
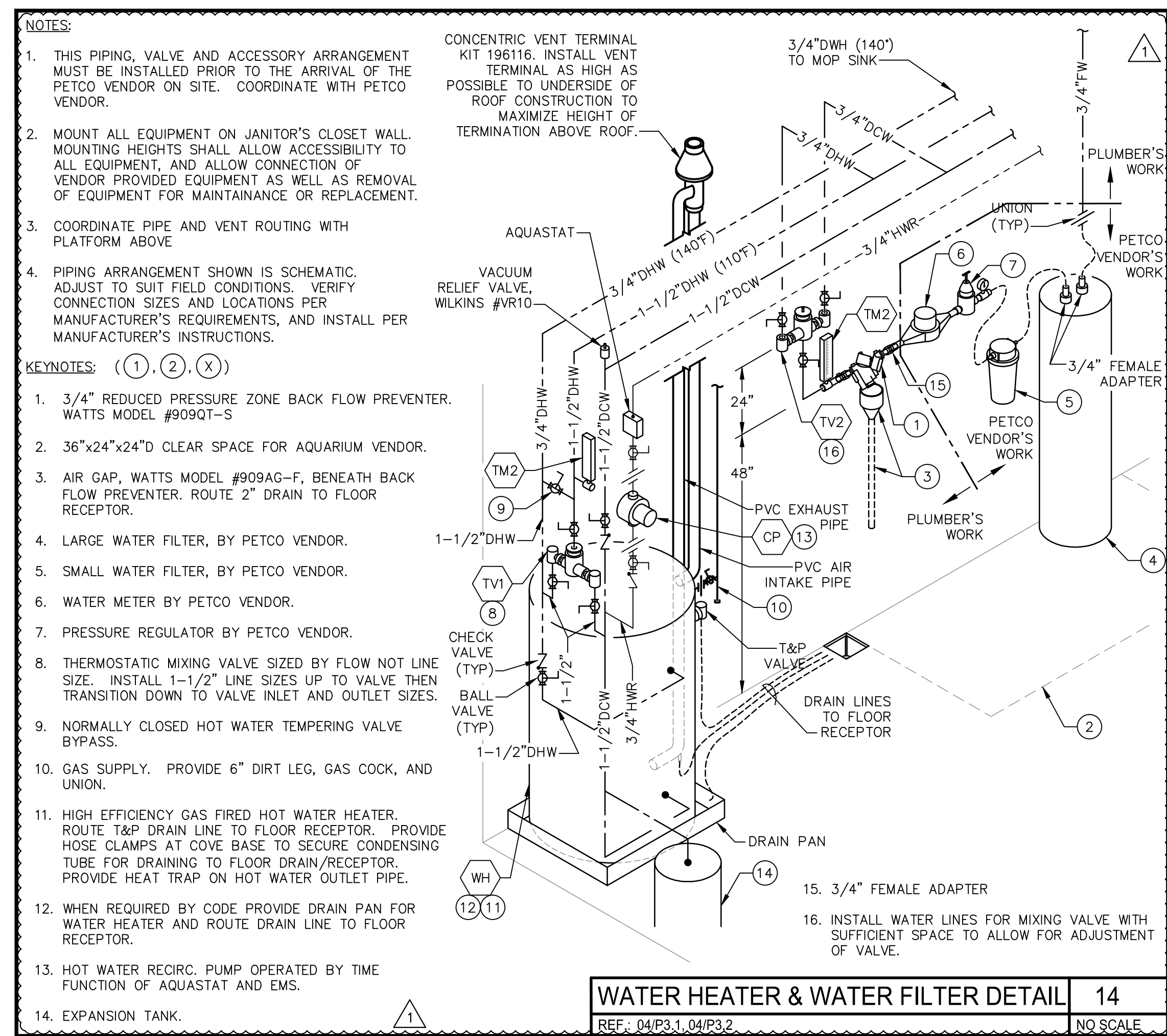


CONTRACTOR SHALL VERIFY EXISTING CONDITIONS AND CORRELATE DIMENSIONS PRIOR TO PROVIDING THE WORK DETAILED IN THESE DRAWINGS. AND SHALL PROMPTLY NOTIFY THE ARCHITECT OF ANY DISCREPANCIES. COPYRIGHT SBLM, ARCHITECTS PC. UNAUTHORIZED REPRODUCTION OR OTHER USE OF THIS DRAWING IS PROHIBITED.



**ACERTUS CONSULTING GROUP, LLC**  
14817 West 95th Street  
P 913 322 5150 F 913 322 5155  
www.AcertusGroup.com  
Registered Engineering Firm  
F-11902

**petco**  
PETCO ANIMAL SUPPLIES STORES, INC. PETCO "GREENVILLE, TX"  
6834 WESLEY STREET GREENVILLE, TX 75402

DISTRIBUTION:	DATE:
25% SUBMISSION	06-28-11
75% SUBMISSION	08-11-11
98% SUBMISSION	08-16-11
100% SUBMISSION	09-23-11
PERMIT SET	09-28-11
FINAL PERMIT SET	09-20-13
BULLETIN #1	10-22-14

DRAWING TITLE:  
**PLUMBING RISER DIAGRAMS AND DETAILS**  
**P4.1**