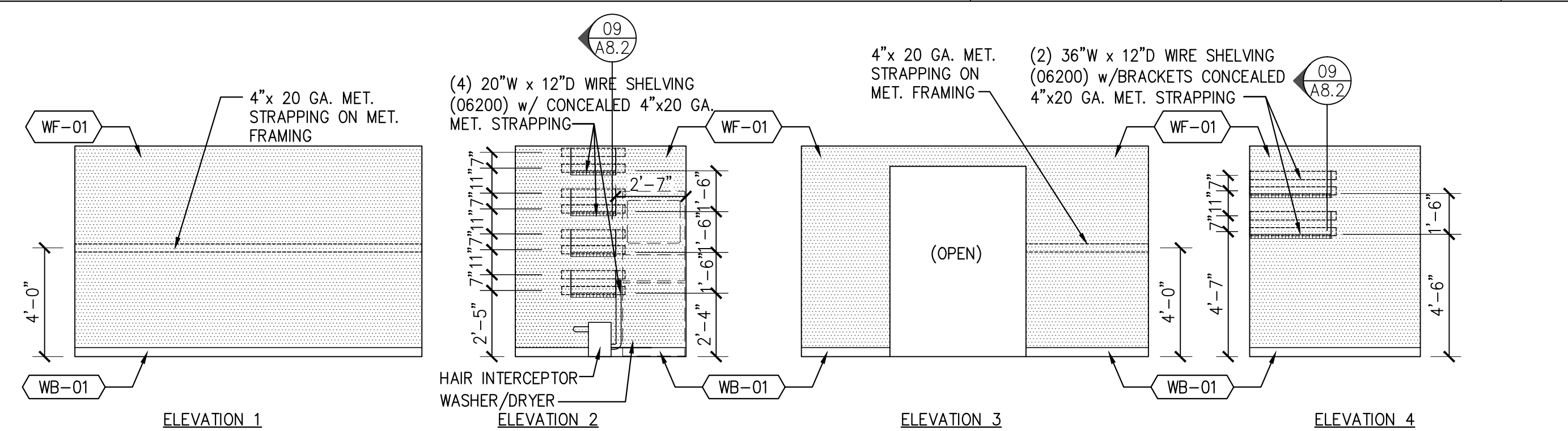


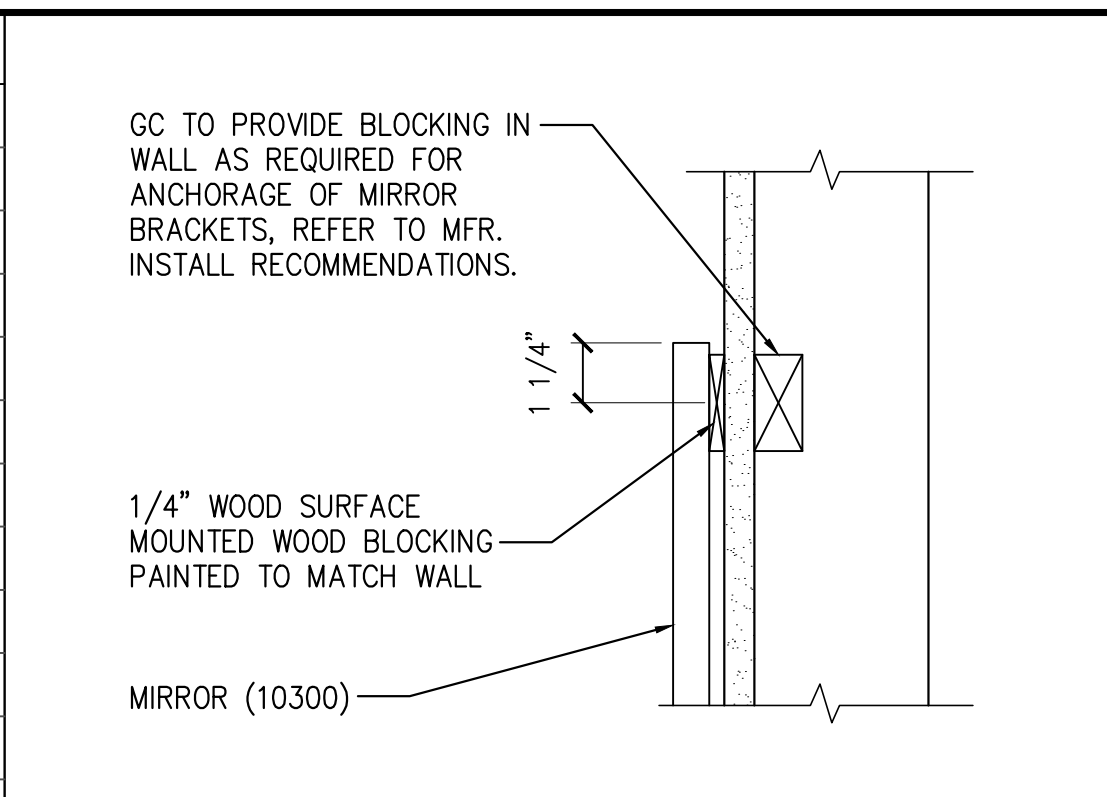
CONTRACTOR(S) SHALL VERIFY EXISTING CONDITIONS AND CORRELATE DIMENSIONS PRIOR TO PROVIDING THE WORK DETAILED IN THESE DRAWINGS. AND SHALL PROMPTLY NOTIFY THE ARCHITECT OF ANY DISCREPANCIES.
 © COPYRIGHT SBLM ARCHITECTS PC. UNAUTHORIZED REPRODUCTION OR OTHER USE OF THIS DRAWING IS PROHIBITED.

LOCATION	PURPOSE	TYPE	HEIGHT(S) A.F.F. TO CENTER OF BLOCKING	DRAWING REF.	NOTES
RETAIL VESTIBULE/HALLWAY	WALL BUMPER	4"x20ga. GALV. STEEL	6 3/4"	05/A8.1	COORDINATE W/PETCO CM @ EXISTING WALLS
RETAIL	WALL FIXTURES	4"x20ga. GALV. STEEL	6'-6"	01/A2.1	SURFACE MTD. WD. 2X4 @ EXIST. WALL TO REMAIN
GROOMING SALON CAGE & TUB ROOM	HITCHING RINGS	WOOD BLOCKING	2'-9"	10/A8.2	F.R.T. BLOCKING INSIDE PARTITIONS
GROOMING SALON	MIRROR	WOOD / PLYWOOD	3'-3" & 8'-9"	16/A9.2	
TUB ROOM	SHELVING	4"x20ga. GALV. STEEL	5'-7" & 6'-2"	11/A9.2	
OFFICE	SHELVING	4"x20ga. GALV. STEEL	4'-3" & 4'-10"	01/A8.2	
OFFICE	COUNTERTOP	4"x20ga. GALV. STEEL	1'-6" & 2'-7"	01/A8.2	
BREAK & WELLNESS ROOM	COUNTERTOP	4"x20ga. GALV. STEEL	1'-6" & 2'-7"	02/A8.2	
BREAK ROOM	UPPER CABINETS	4"x20ga. GALV. STEEL	4'-4" & 6'-8"	06/A9.1	
BREAK ROOM	COAT HOOKS	F.R.T. PLYWOOD	4'-6"	06/A9.1	
HALLWAY	DRINKING FOUNTAIN PIPE BARRIERS	6"x20ga. GALV. STEEL	6" & 3'-6"	19/A9.1	
TOILET ROOM	MISC ACCESORIES	WOOD OR SHEET STL.	VARIES, SEE A9.1	11,16,19/A9.1	
WORK ROOM	WALL FIXTURES	4"x20ga. GALV. STEEL	2'-0" & 5'-0"	03/A9.1	
WELLNESS ROOM	WALL FIXTURES	4"x20ga. GALV. STEEL	2'-0", 4'-9", 5'-0" & 6'-8"	03/A9.1	
JANITOR'S CLOSET	MOP HOLDER	4"x20ga. GALV. STEEL	4'-0"	13/A9.2	

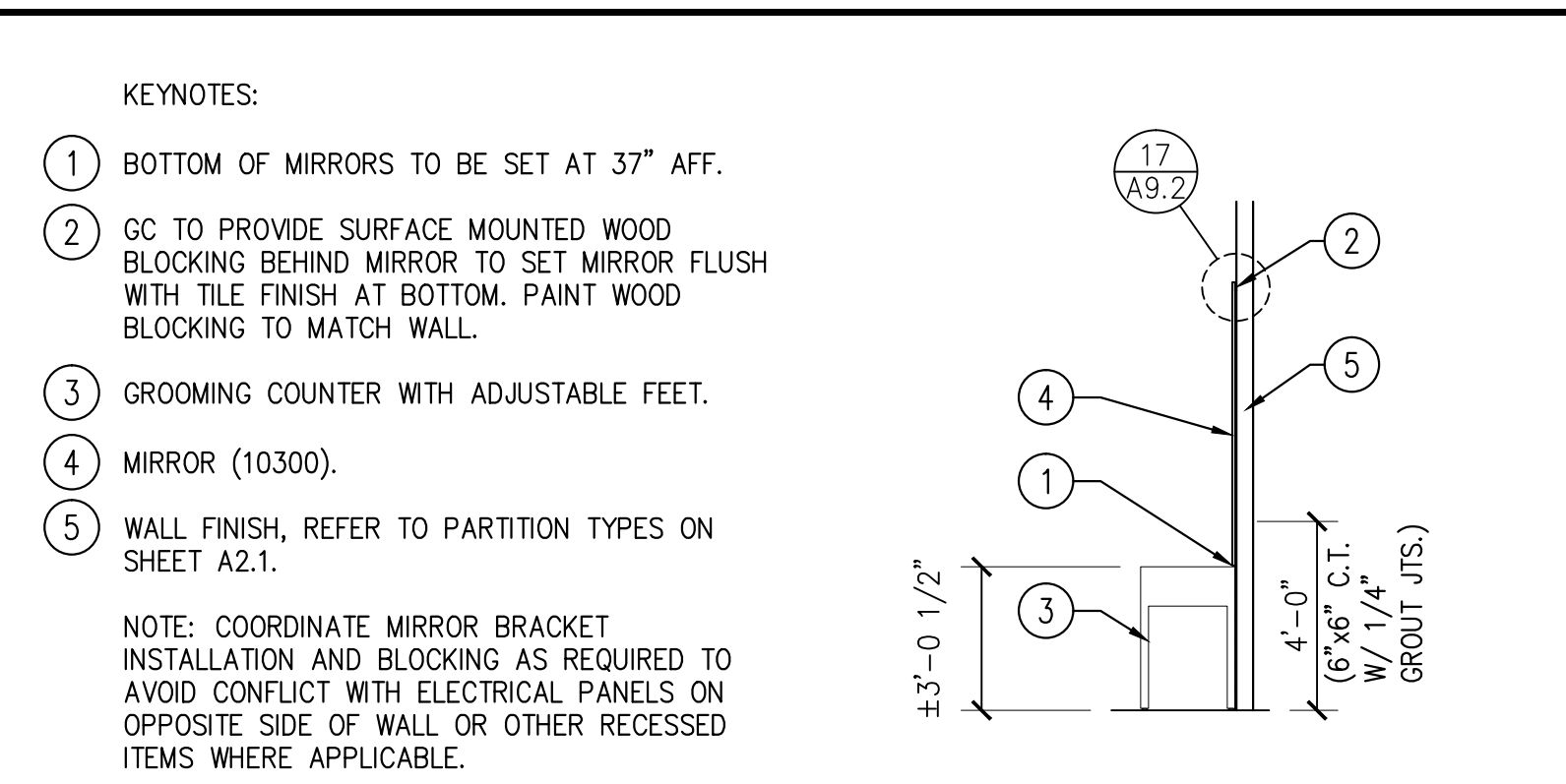
BLOCKING SCHEDULE	20
REF.: A2.1 AND A7.1	SOURCE:



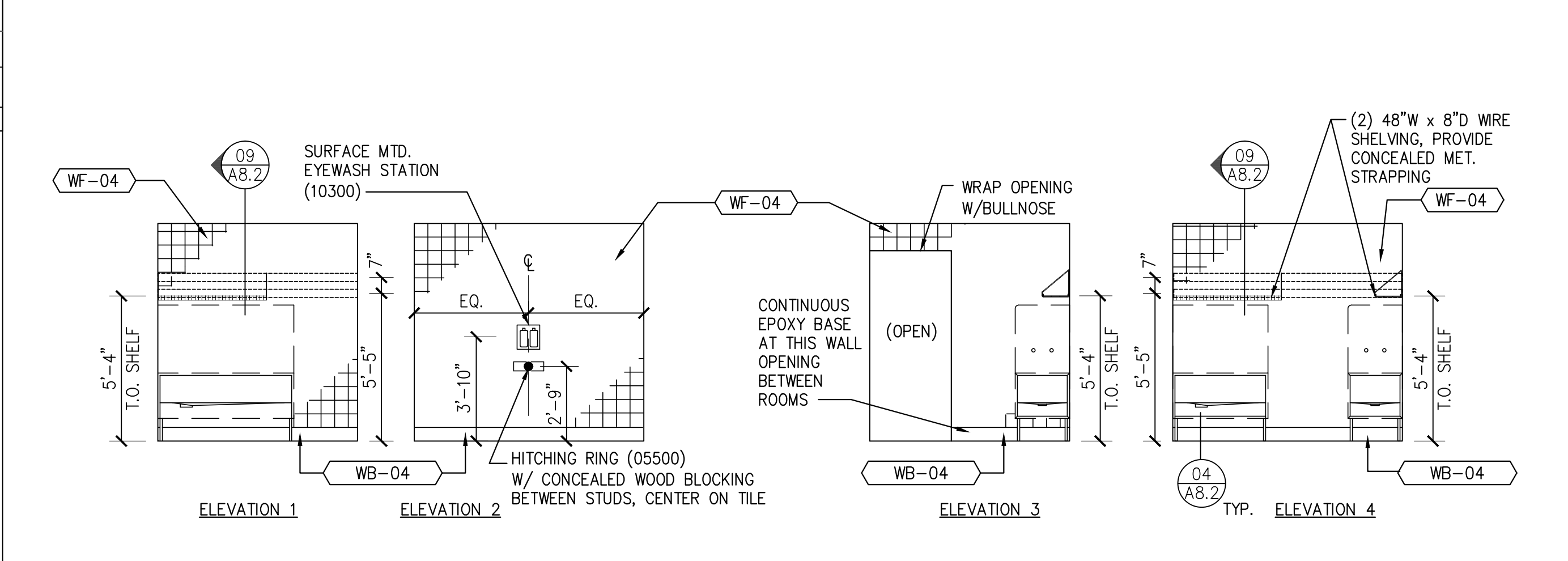
JANITOR CLOSET ELEVATIONS	13
REF.: A7.1, A2.1	SOURCE:



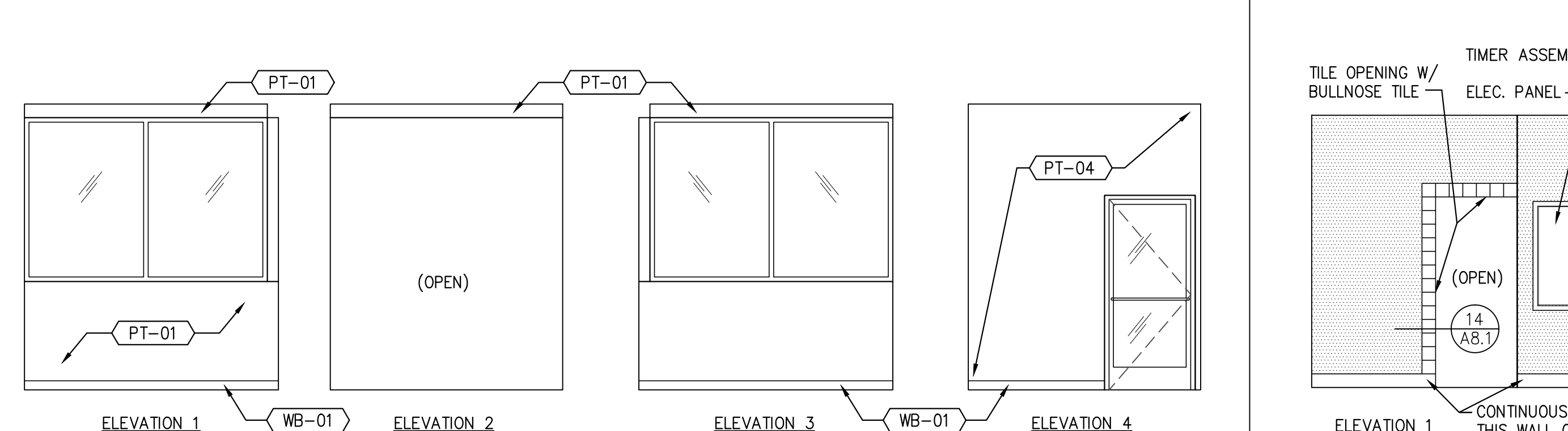
GROOMING MIRROR HANGING DETAIL	17
REF.: A7.1, A2.1	SOURCE:



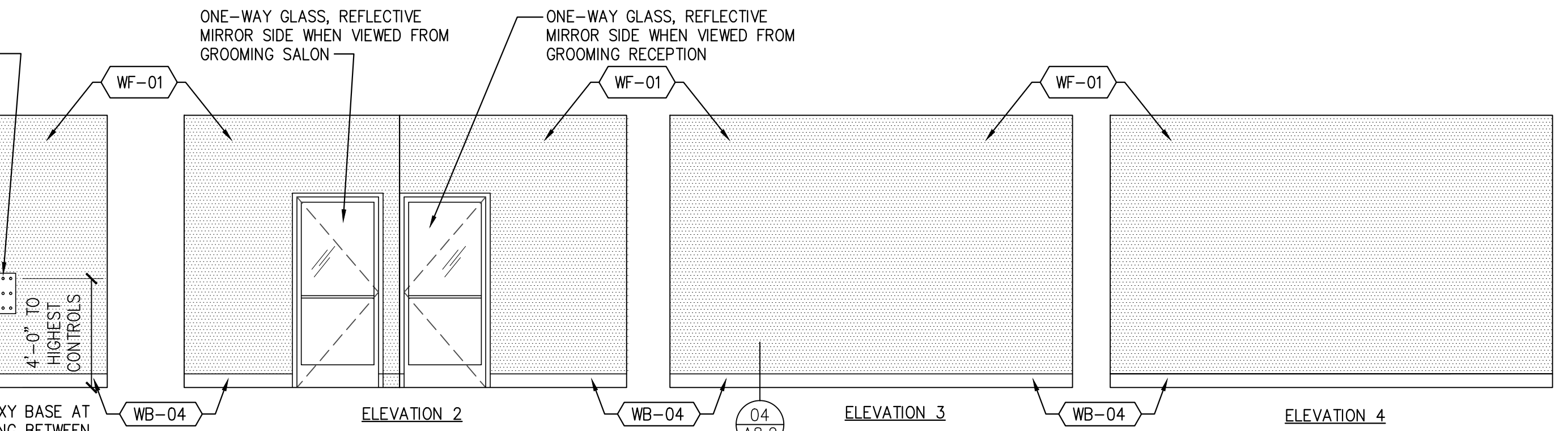
GROOMING MIRROR HANGING DETAIL	16
REF.: A7.1, A2.1	SOURCE:



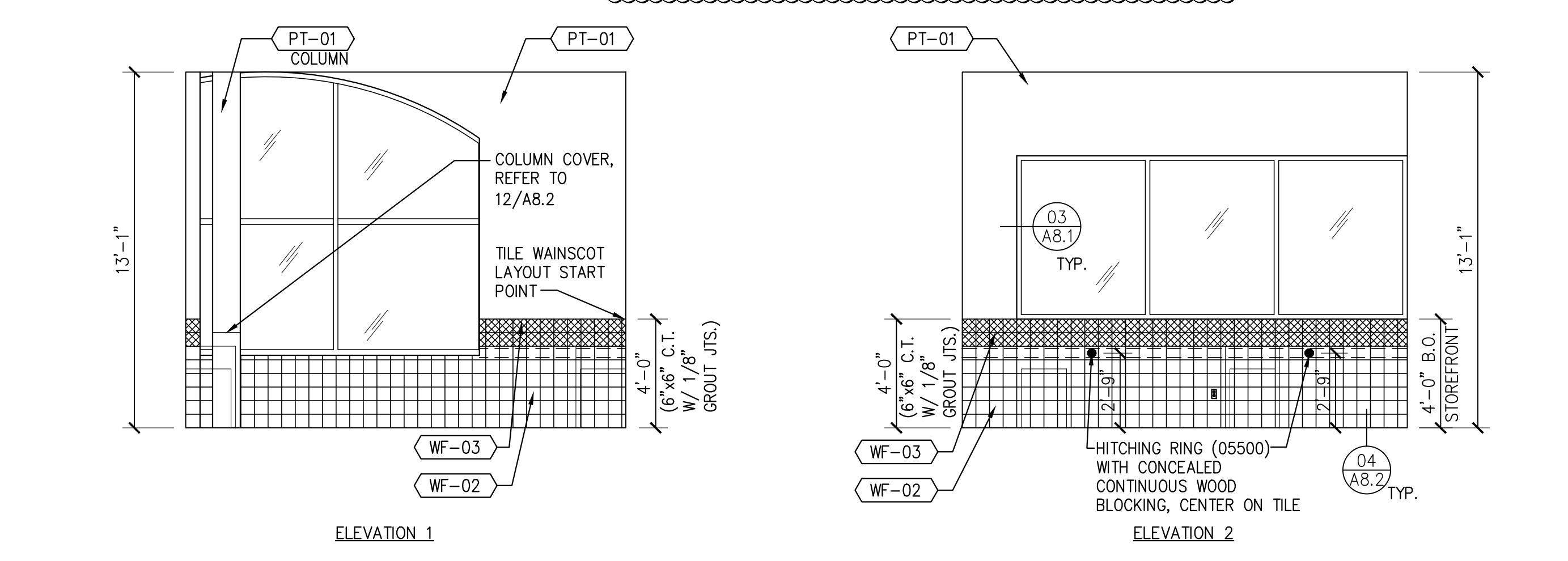
TUB ROOM ELEVATIONS	11
REF.: A7.1, A2.1	SOURCE:



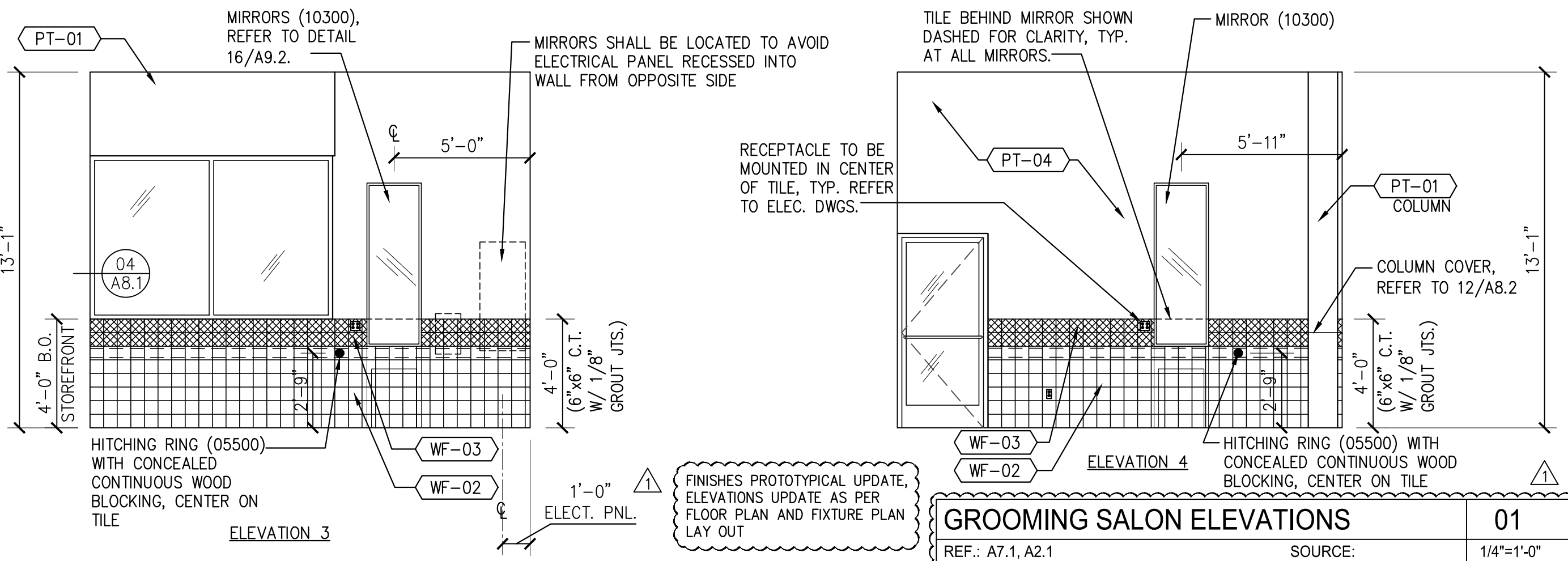
GROOMING RECEPTION ELEVATIONS	09
REF.: A7.1, A2.1	SOURCE:



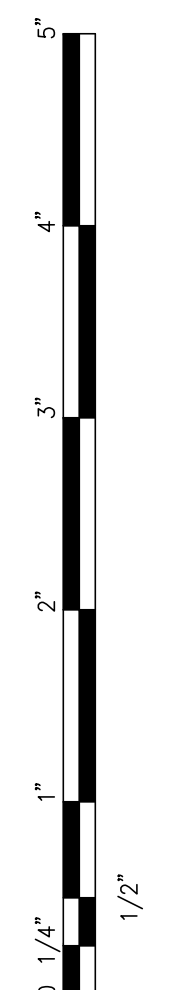
CAGE ROOM ELEVATIONS	06
REF.: A7.1, A2.1	SOURCE:



GROOMING SALON ELEVATIONS	01
REF.: A7.1, A2.1	SOURCE:



GROOMING SALON ELEVATIONS	01
REF.: A7.1, A2.1	SOURCE:



SBLM Architects #A4003434
 11430 N. Kendall Drive, Suite 310
 Miami, FL 33176
 Telephone 305-412-9187
 Fax 305-412-6731
 www.sblm.com

SBLM

petco
 PETCO ANIMAL SUPPLIES STORES, INC. 6834 WESLEY STREET GREENVILLE, TX

DISTRIBUTION:	DATE:
75% SUBMISSION	08-11-11
98% SUBMISSION	08-16-11
100% SUBMISSION	09-23-11
PERMIT SET	09-28-11
FINAL PERMIT SET	09-20-13
BULLETIN 1	10-22-14

SBLM JOB#	PETCO P.M. JOB#
11107	11458
DRAWN:	CHECKED:
IT	MS

DRAWING TITLE:
INTERIOR ELEVATIONS
A9.2