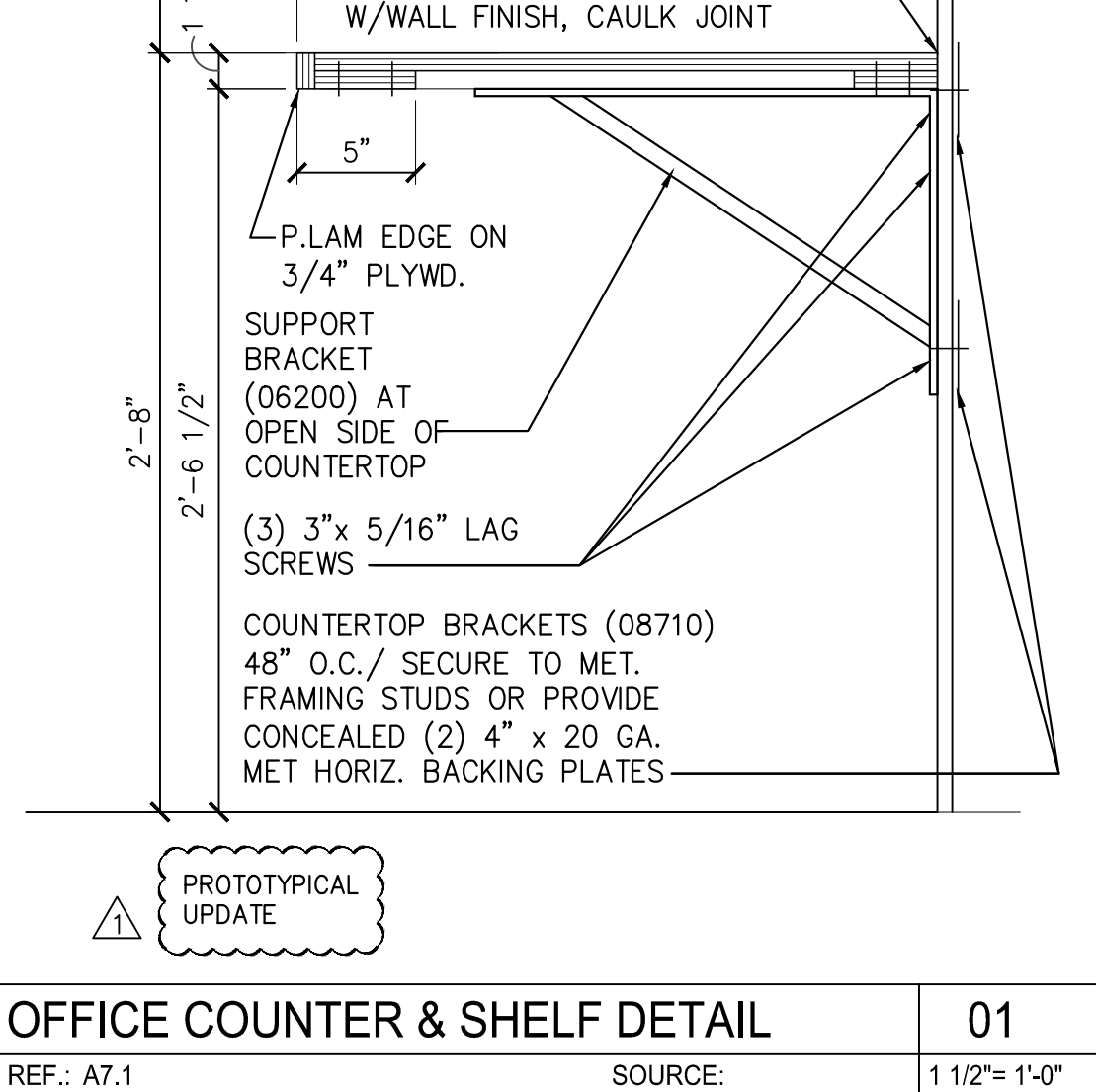
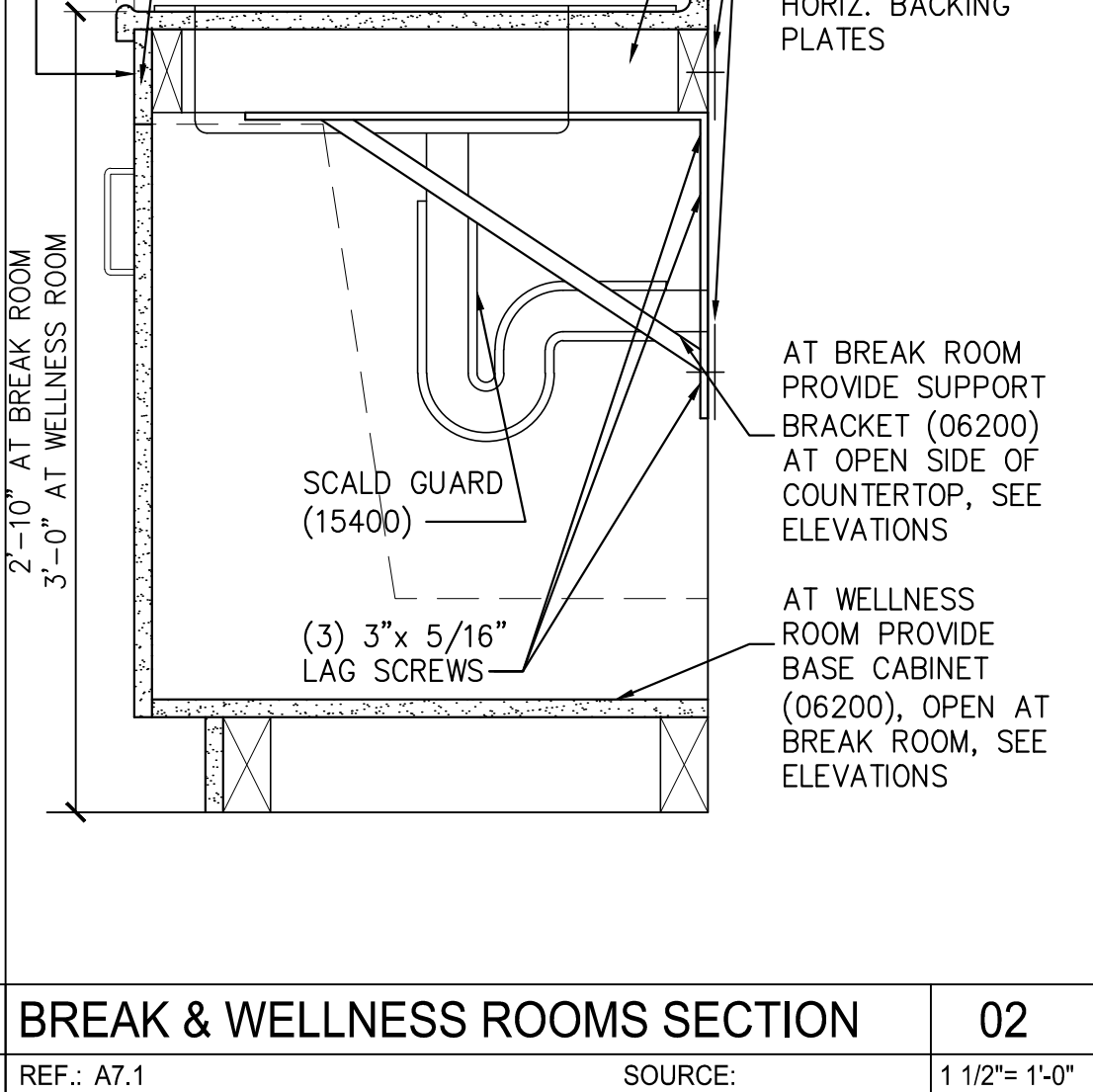
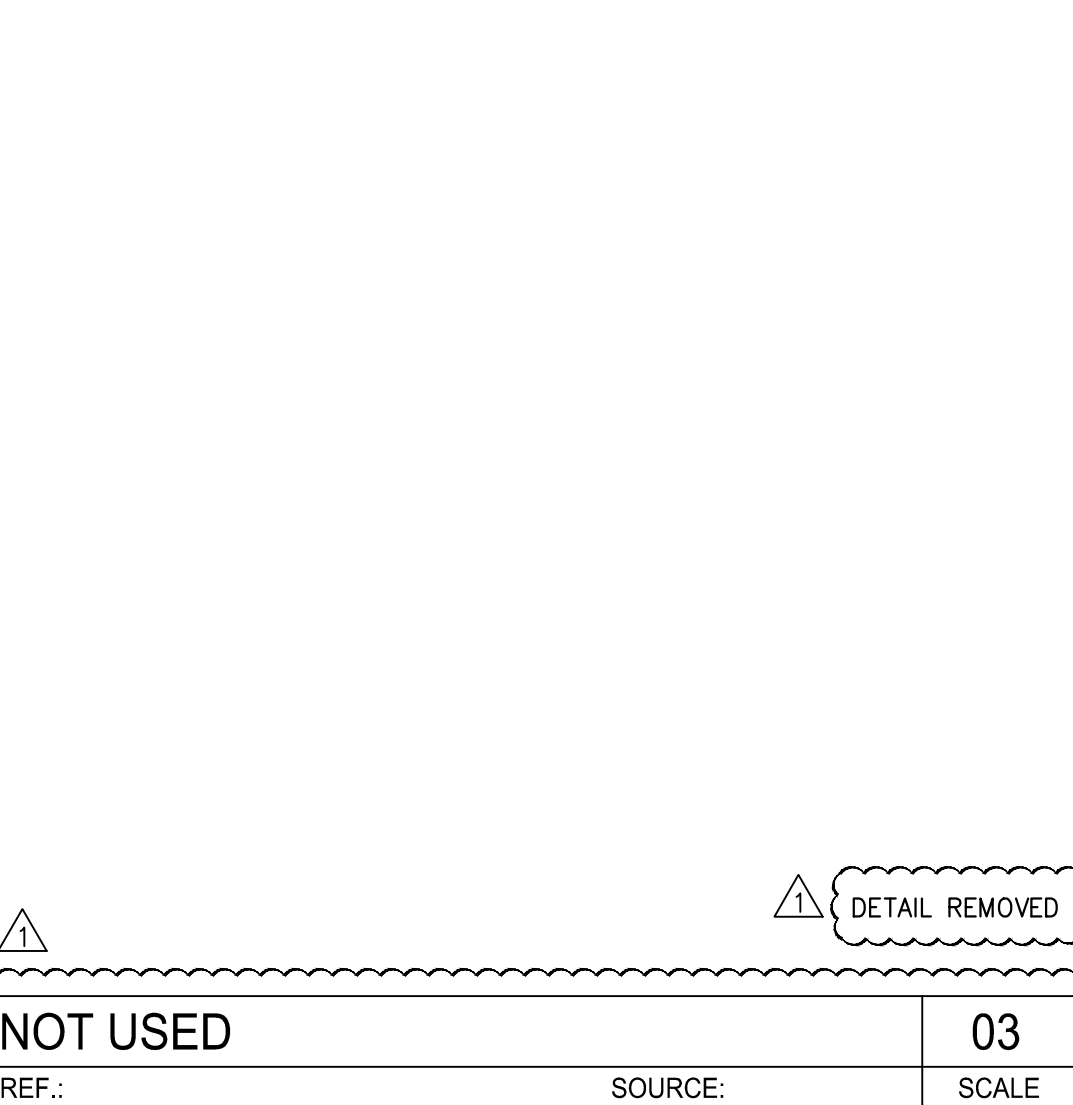
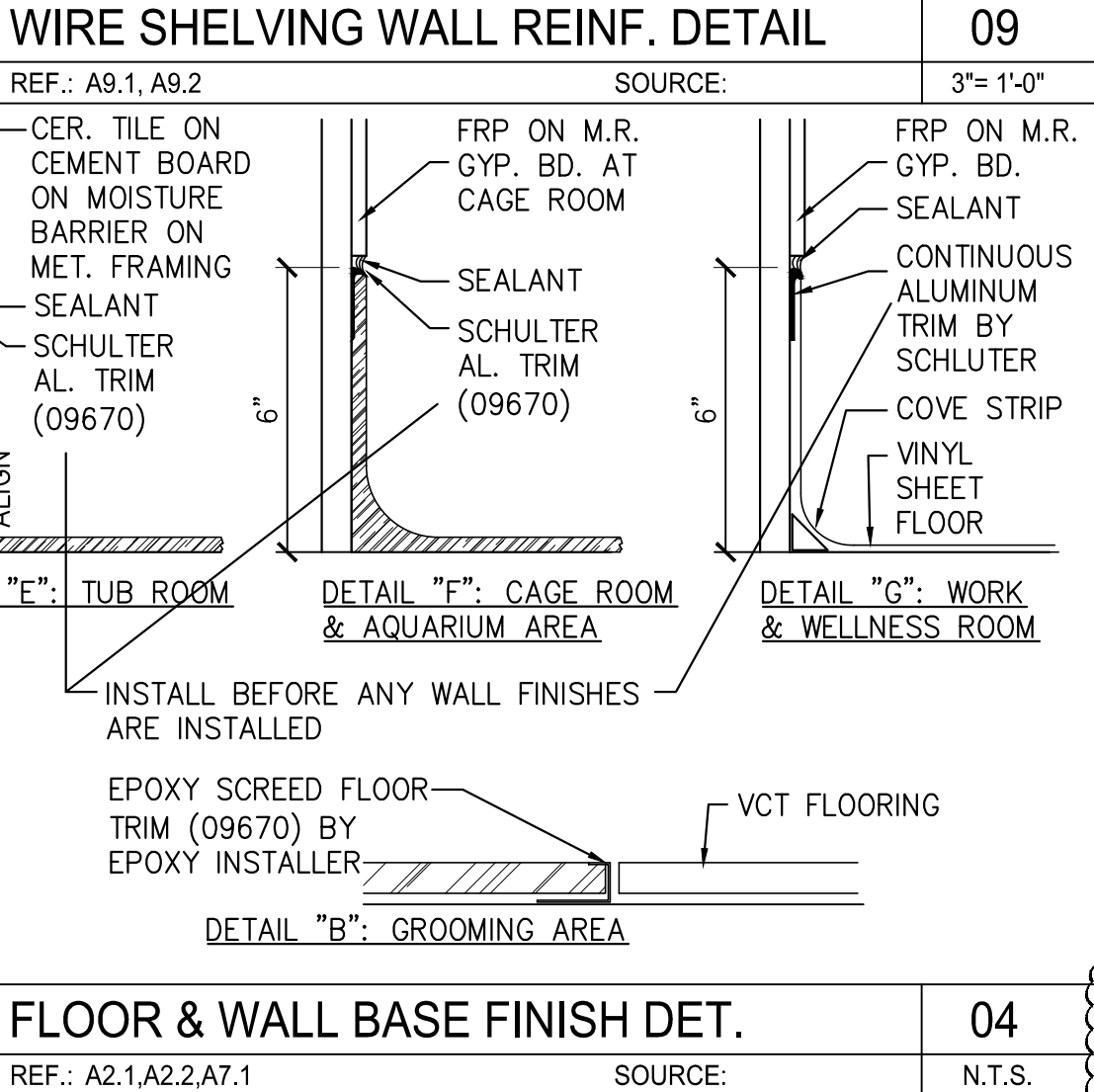
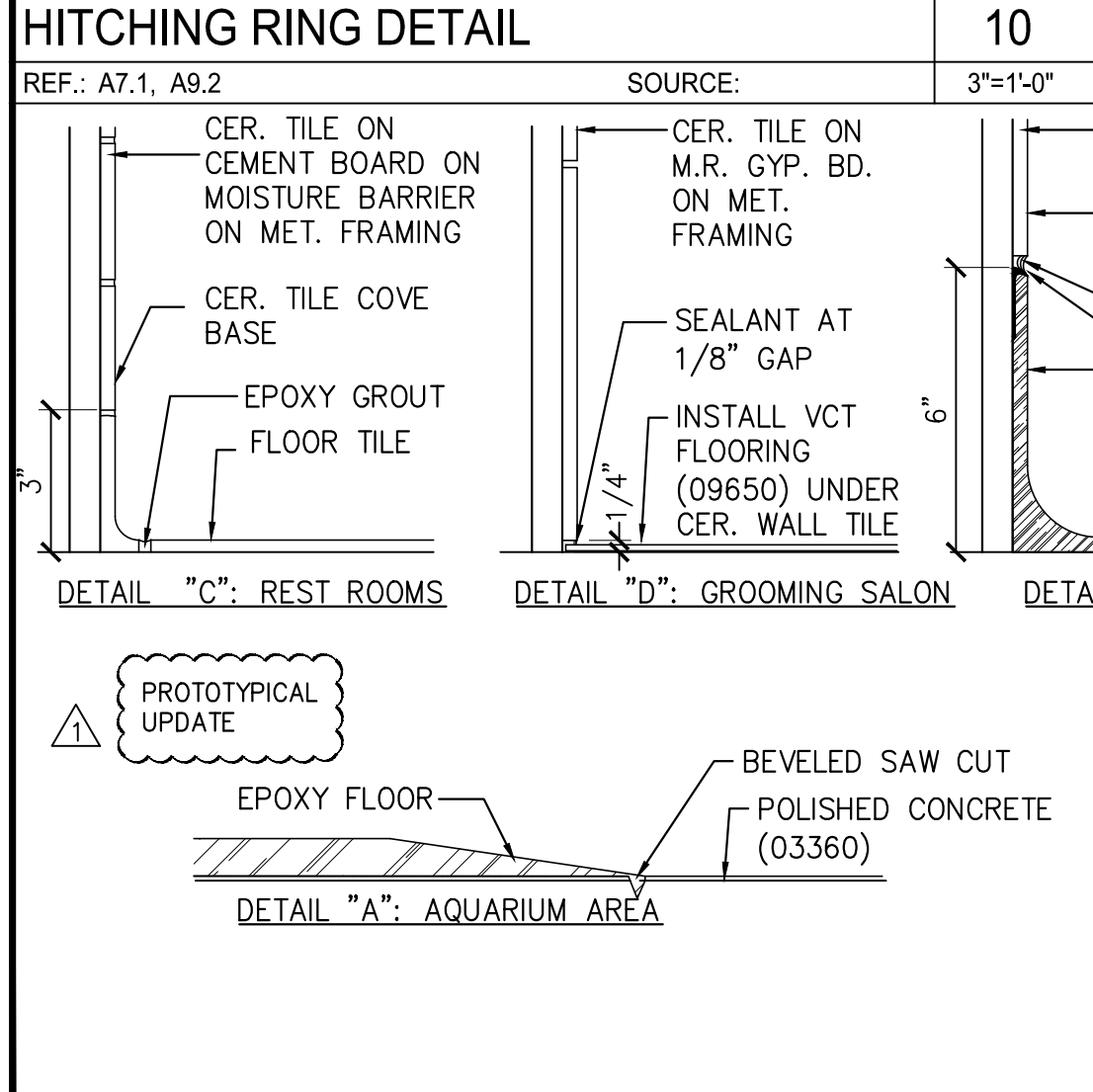
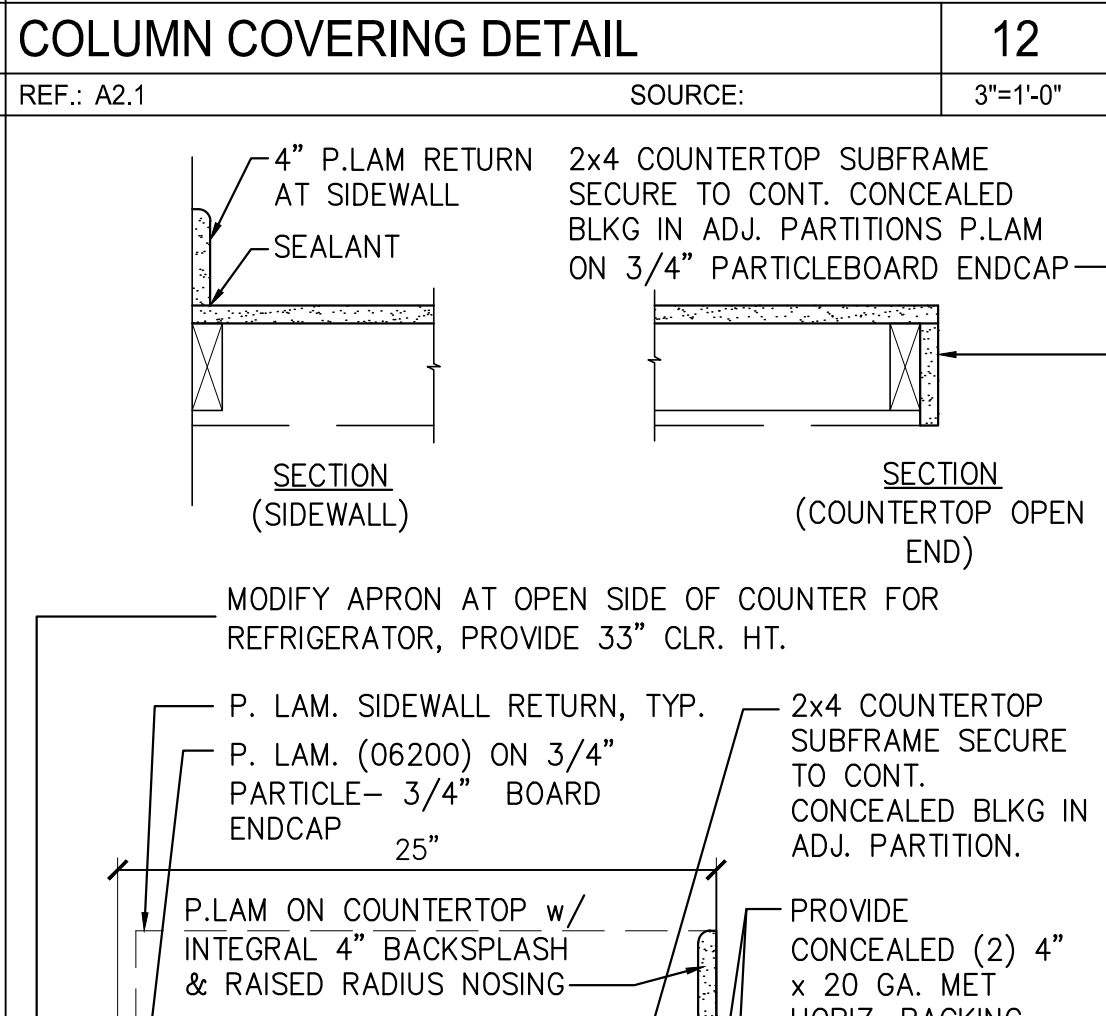
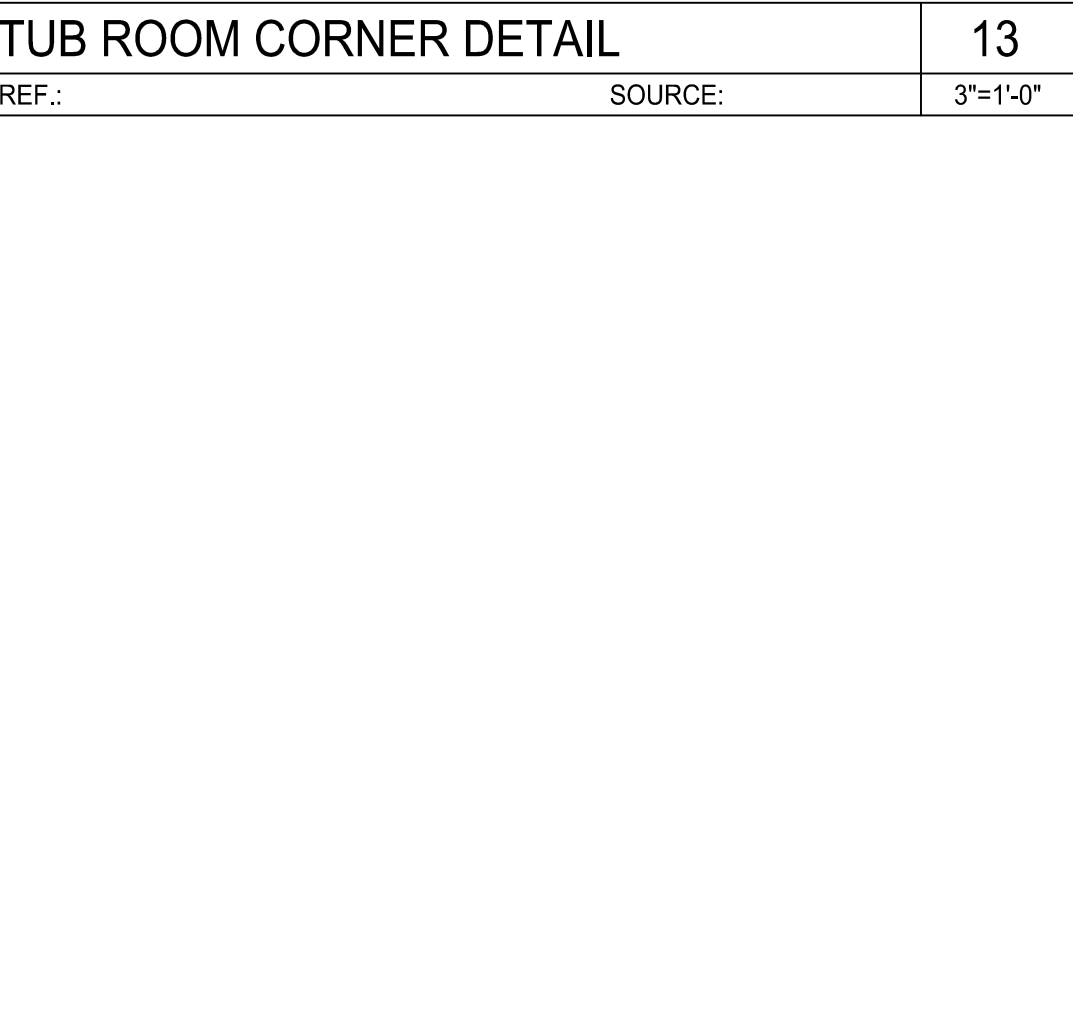
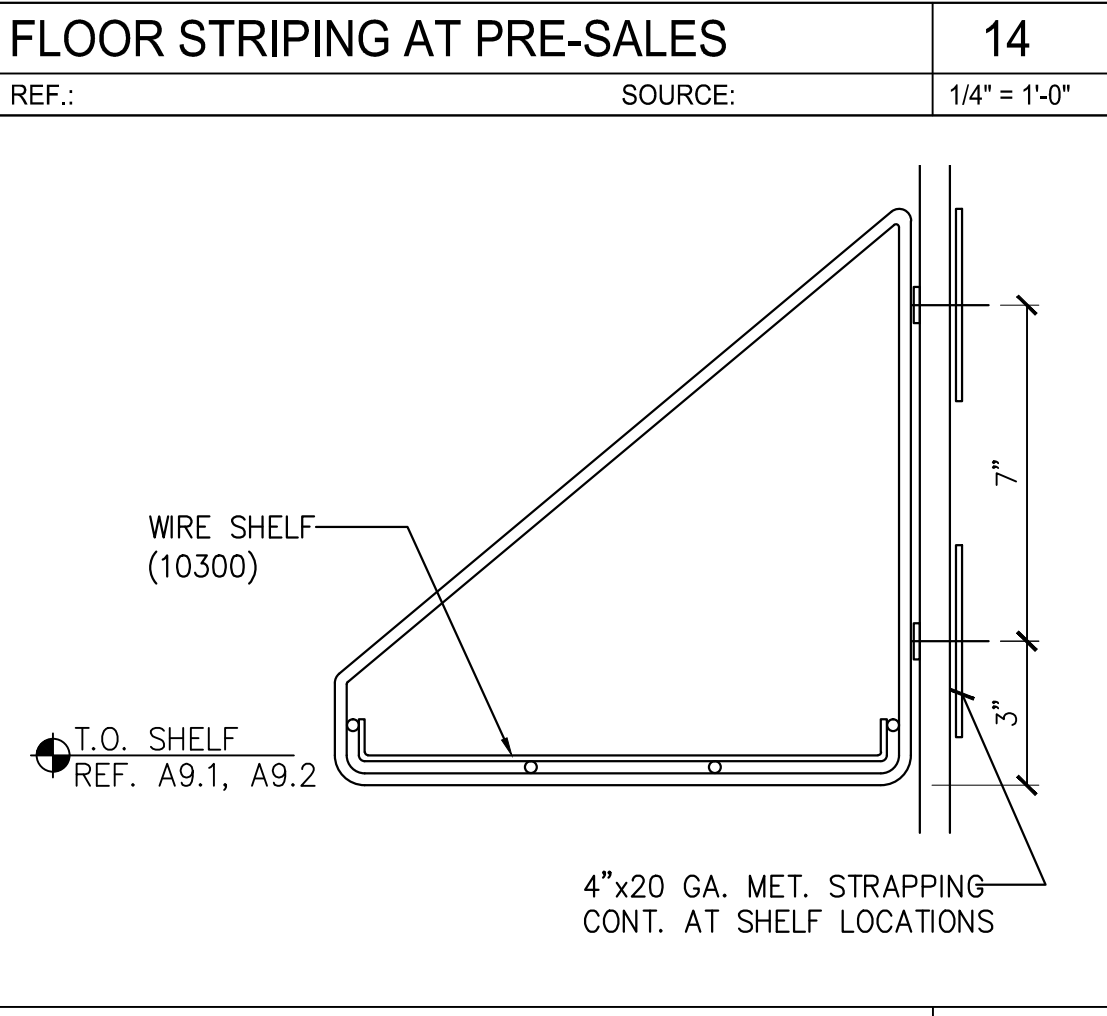
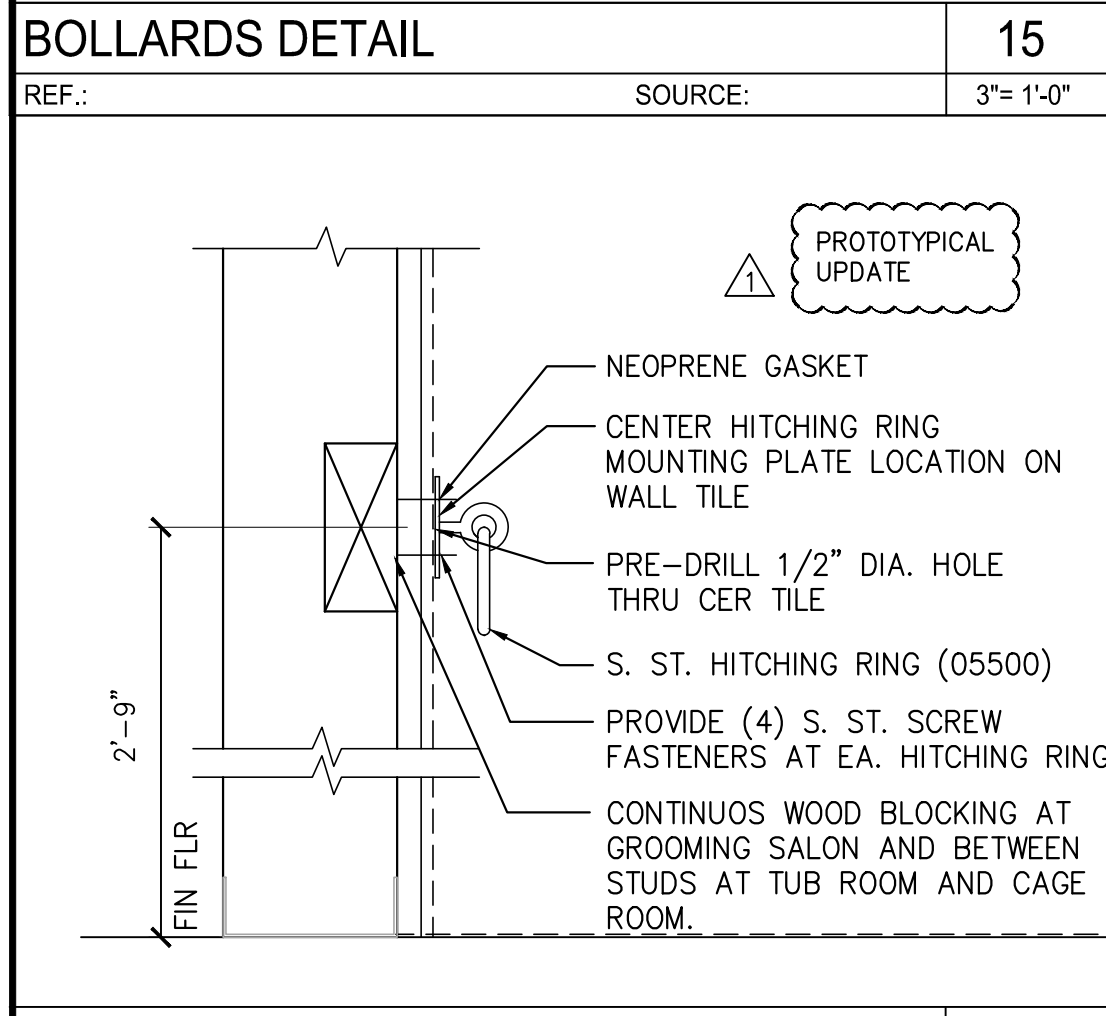
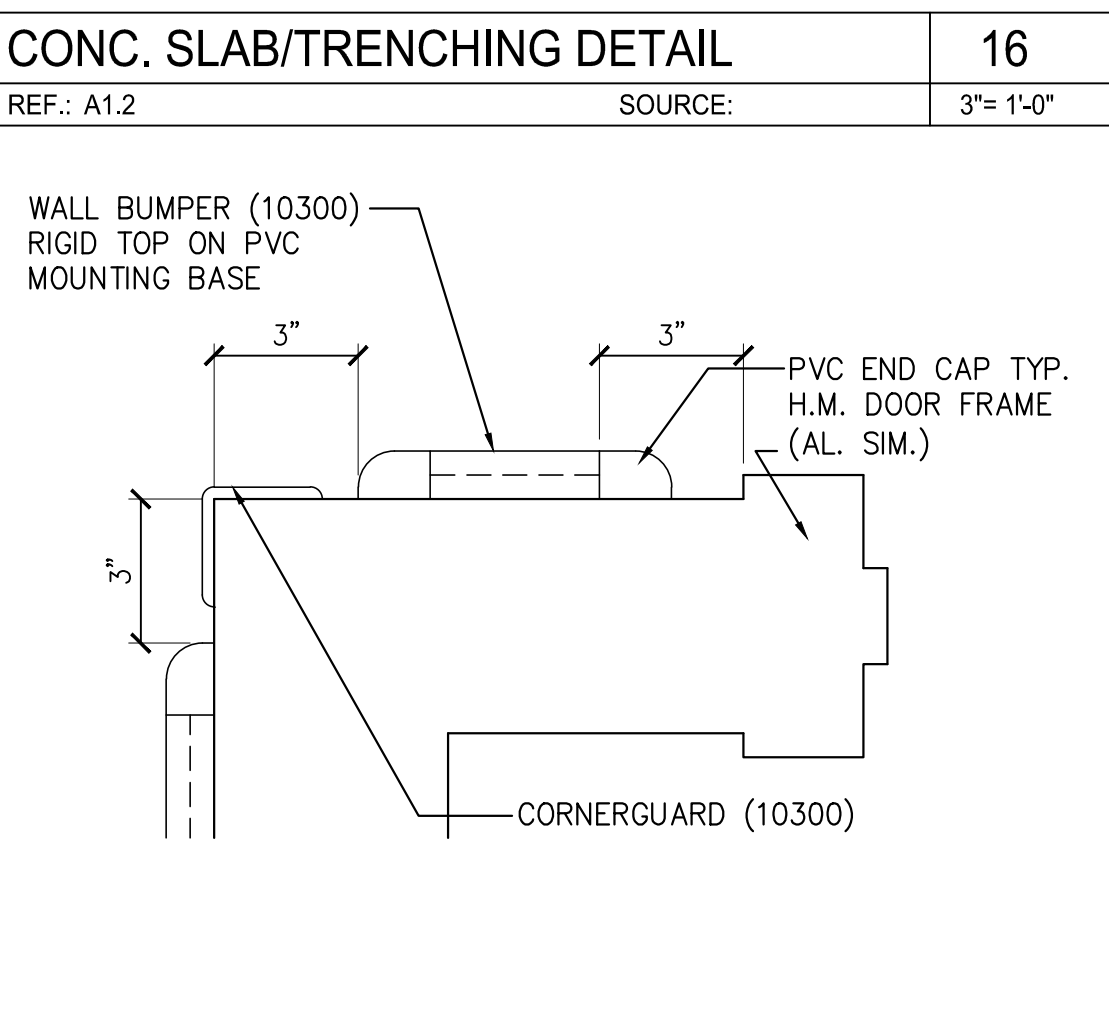
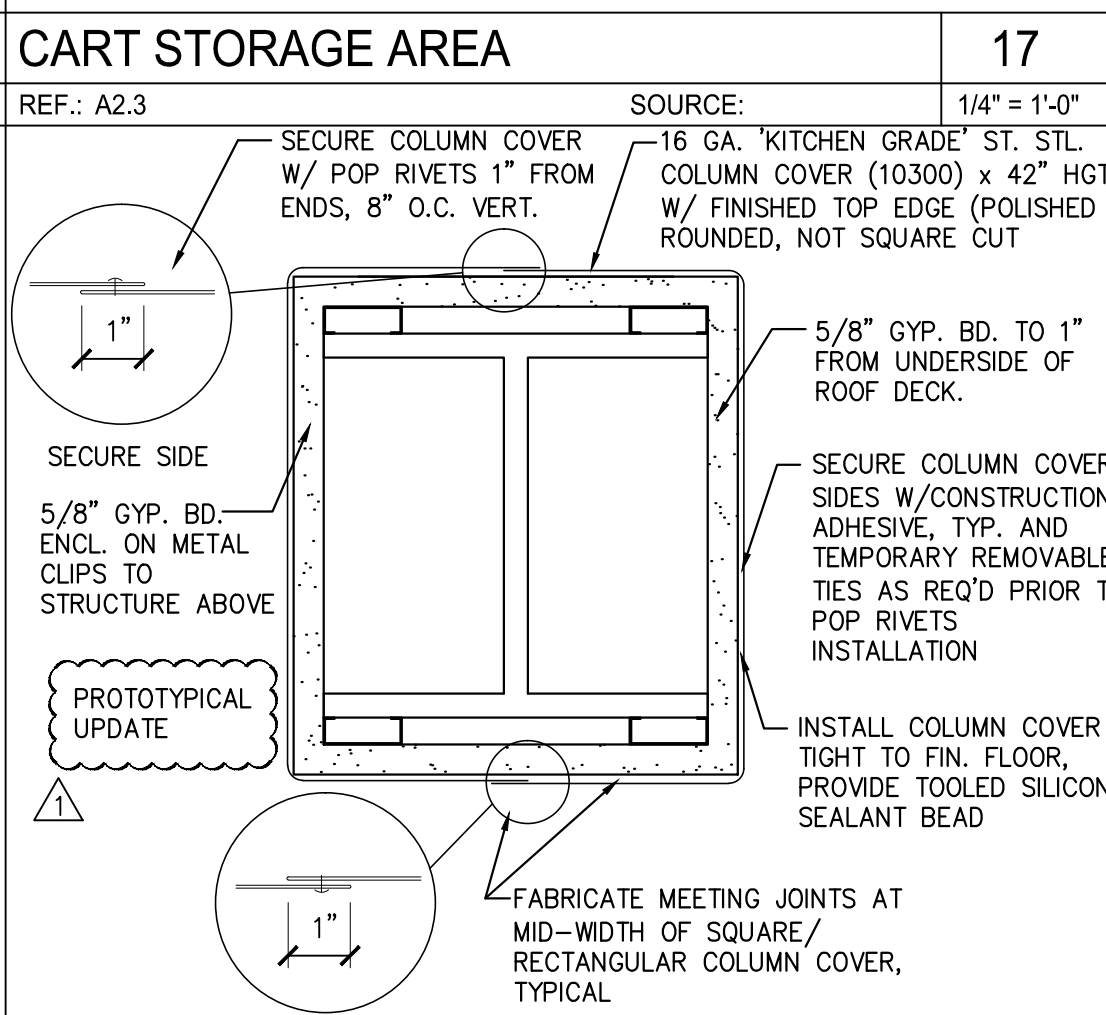
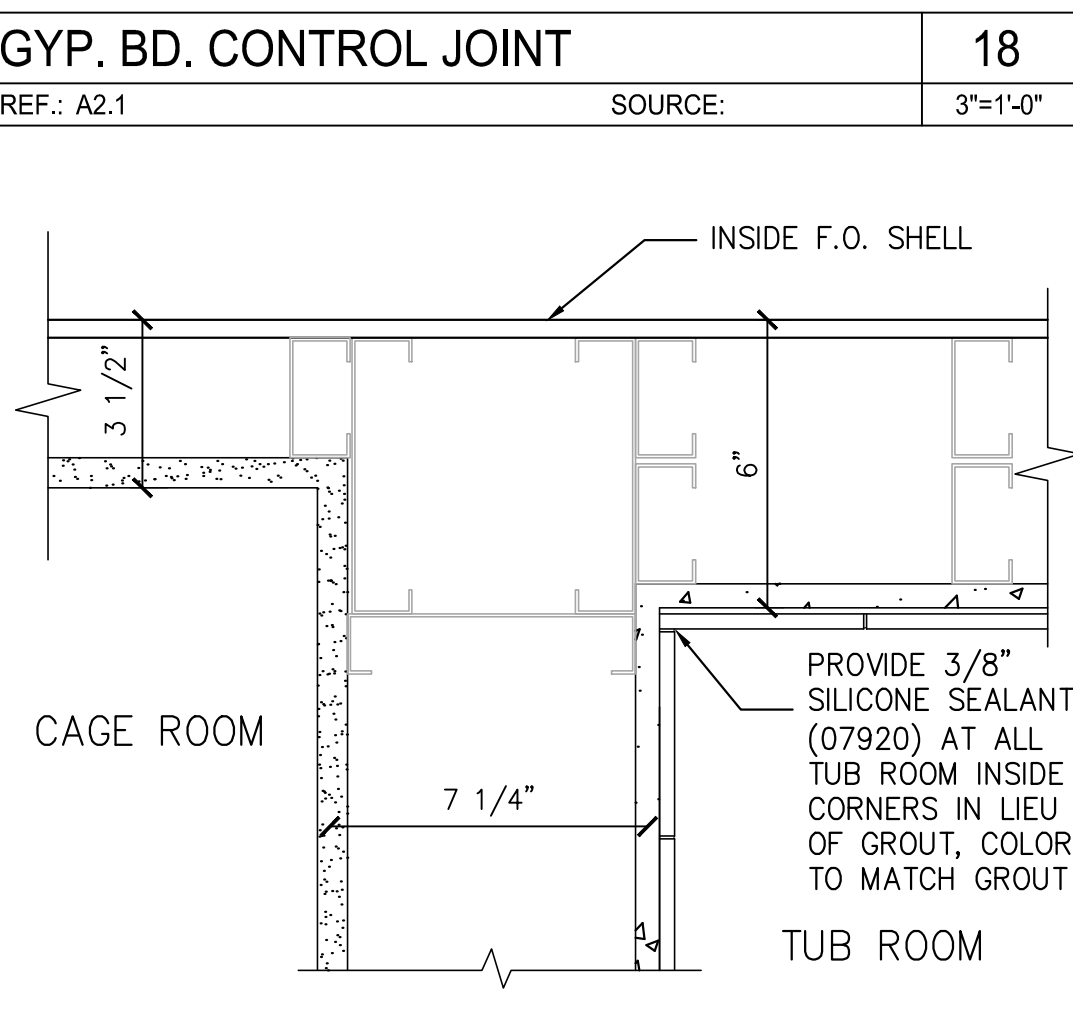
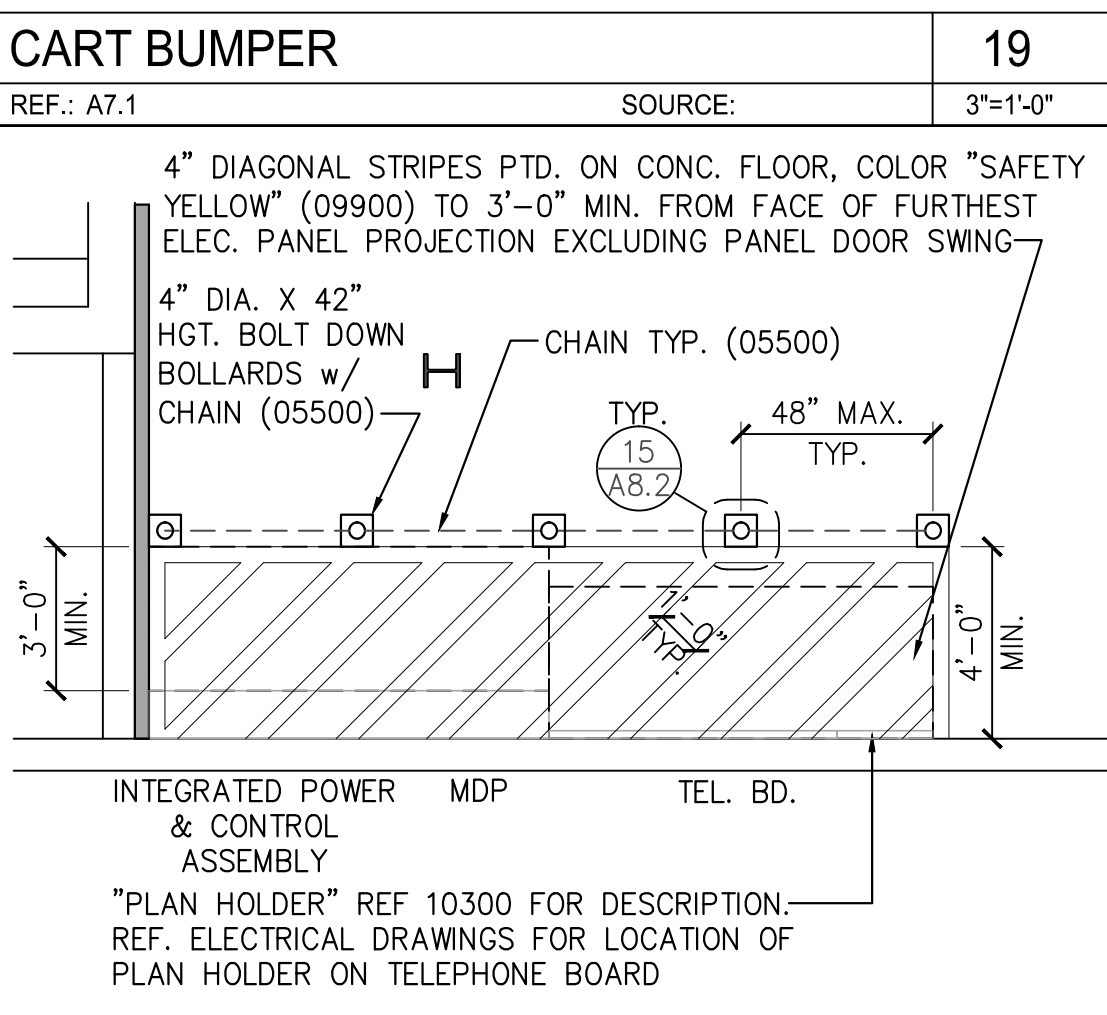
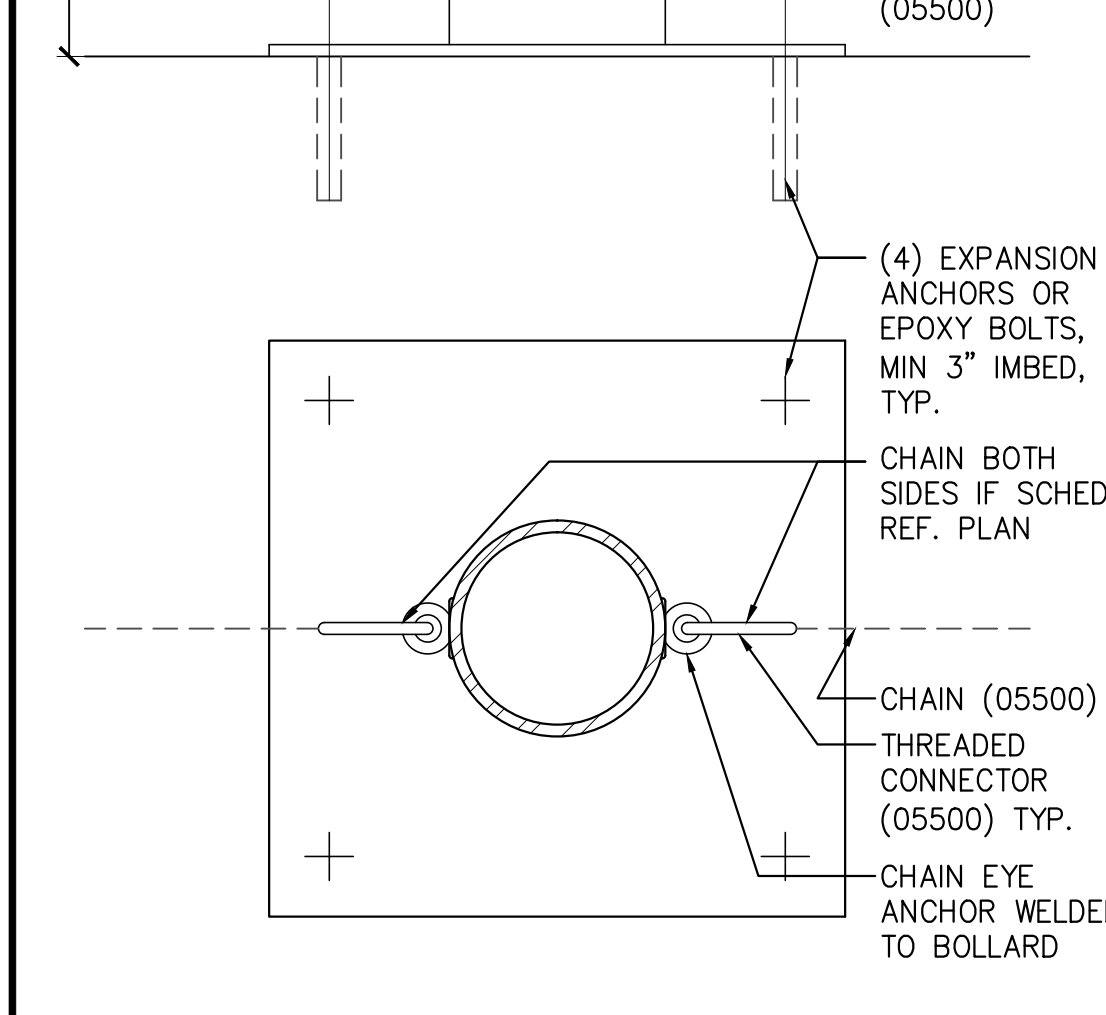
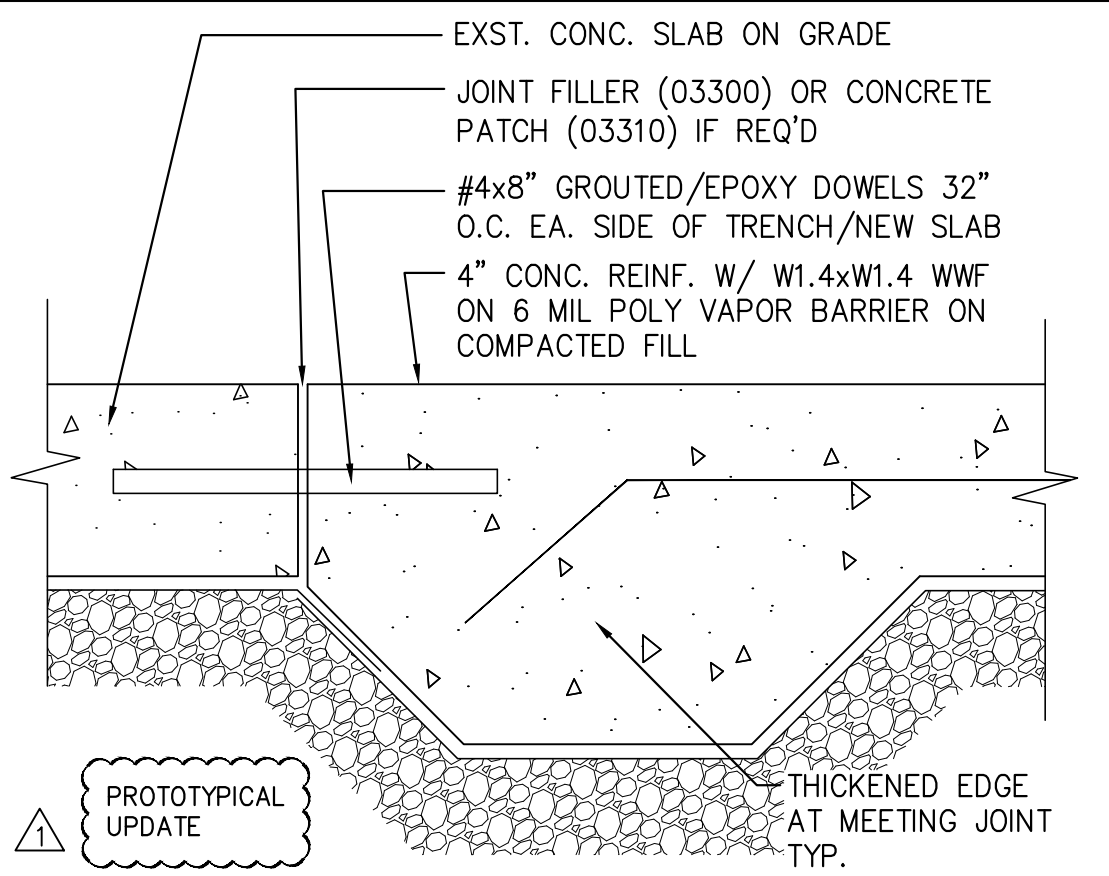
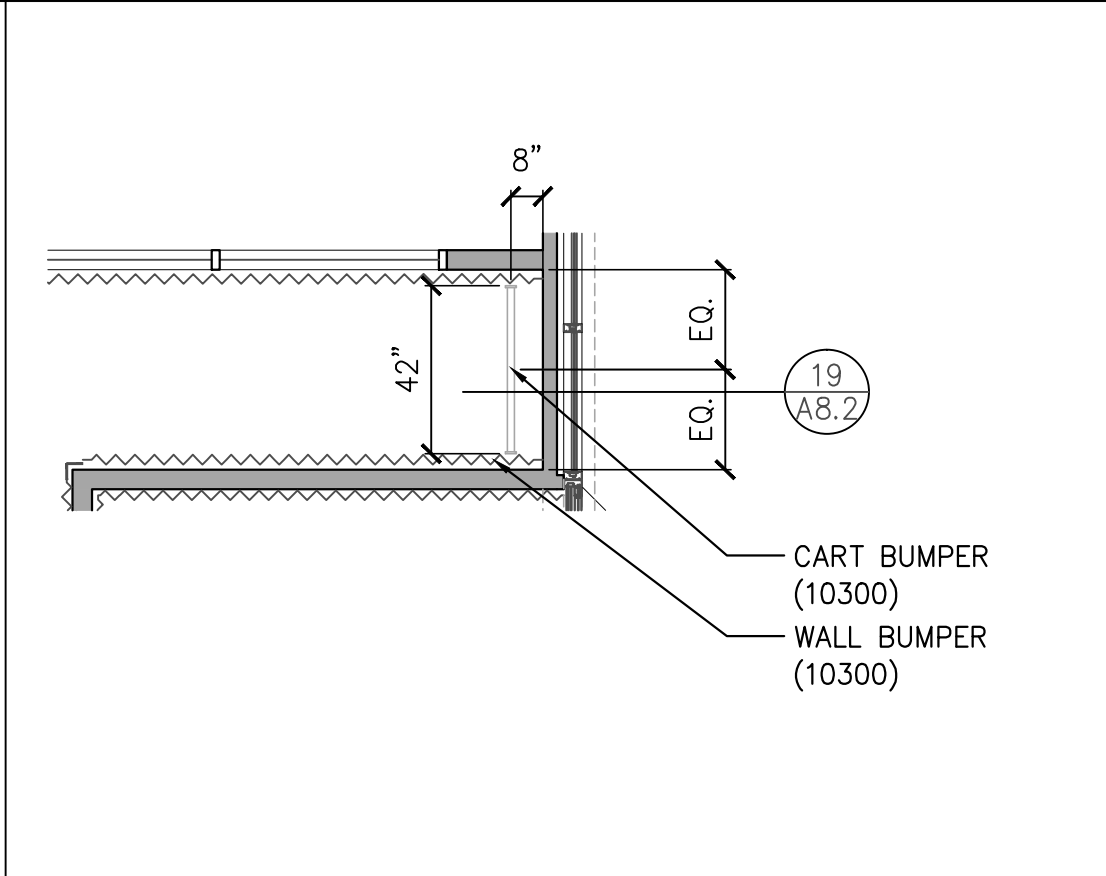
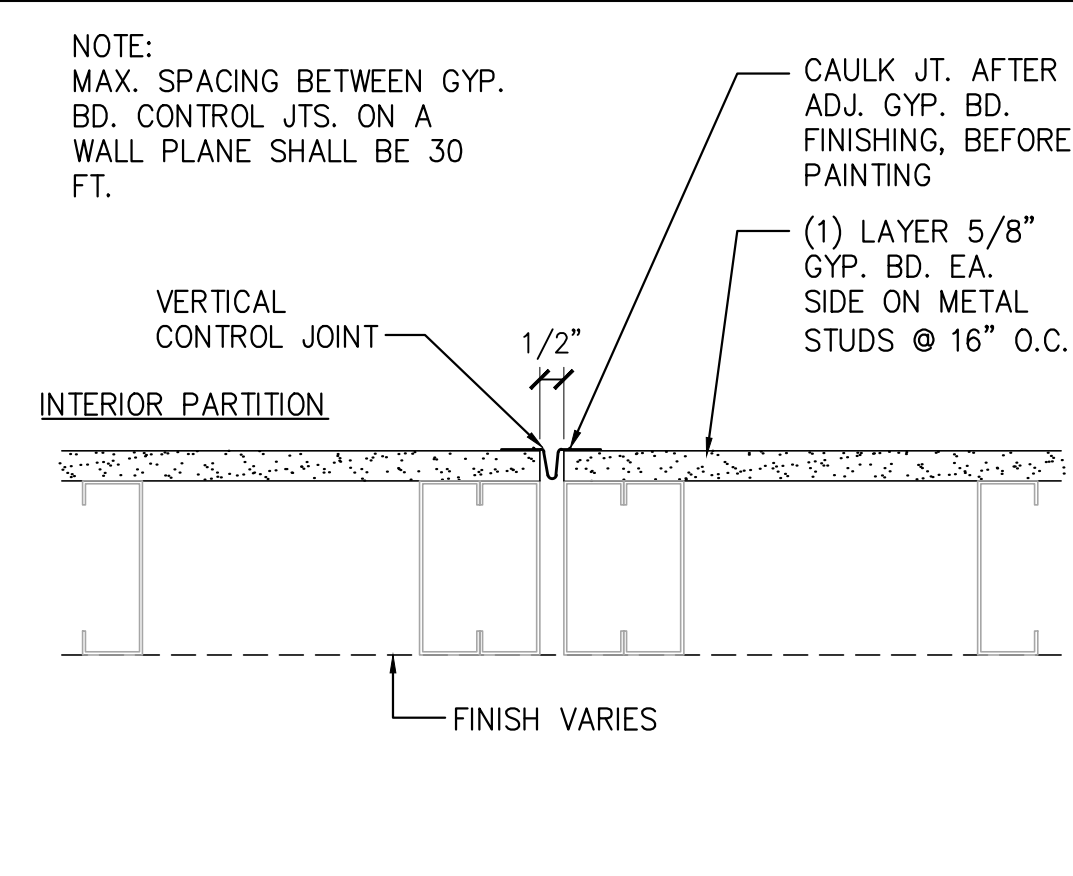
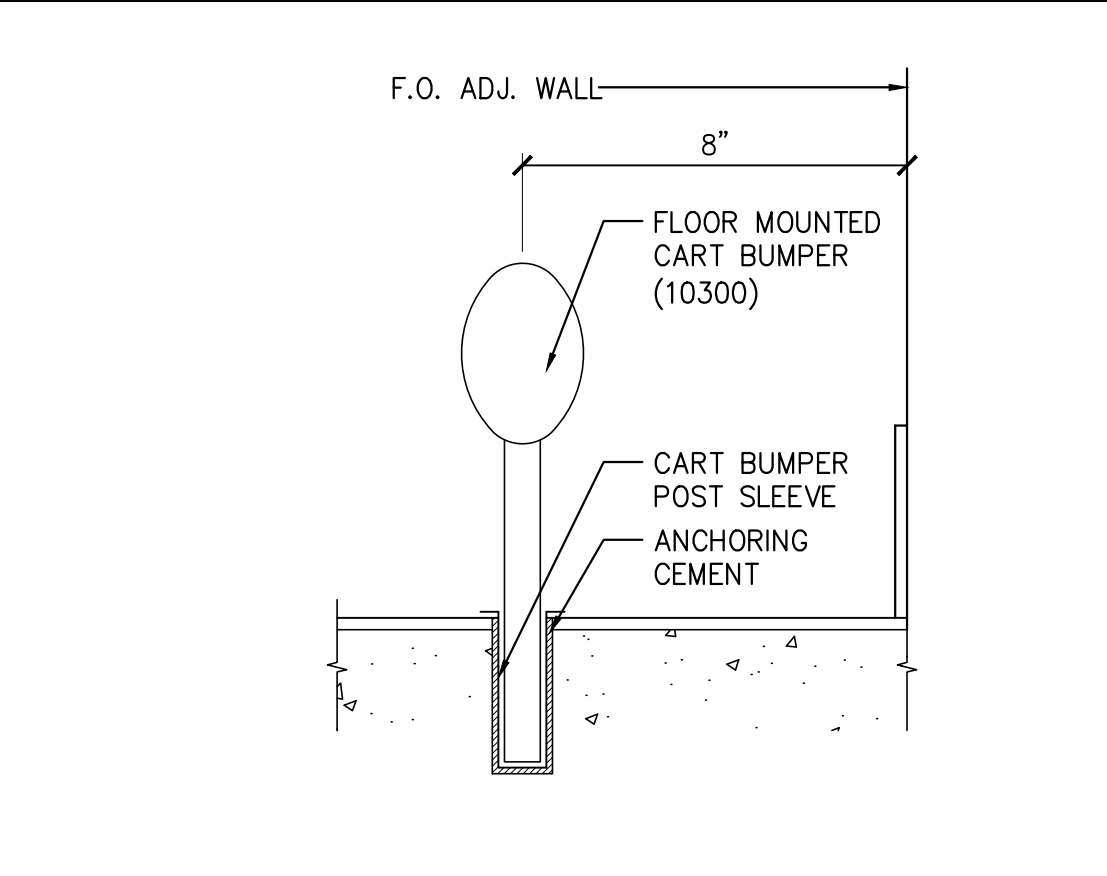
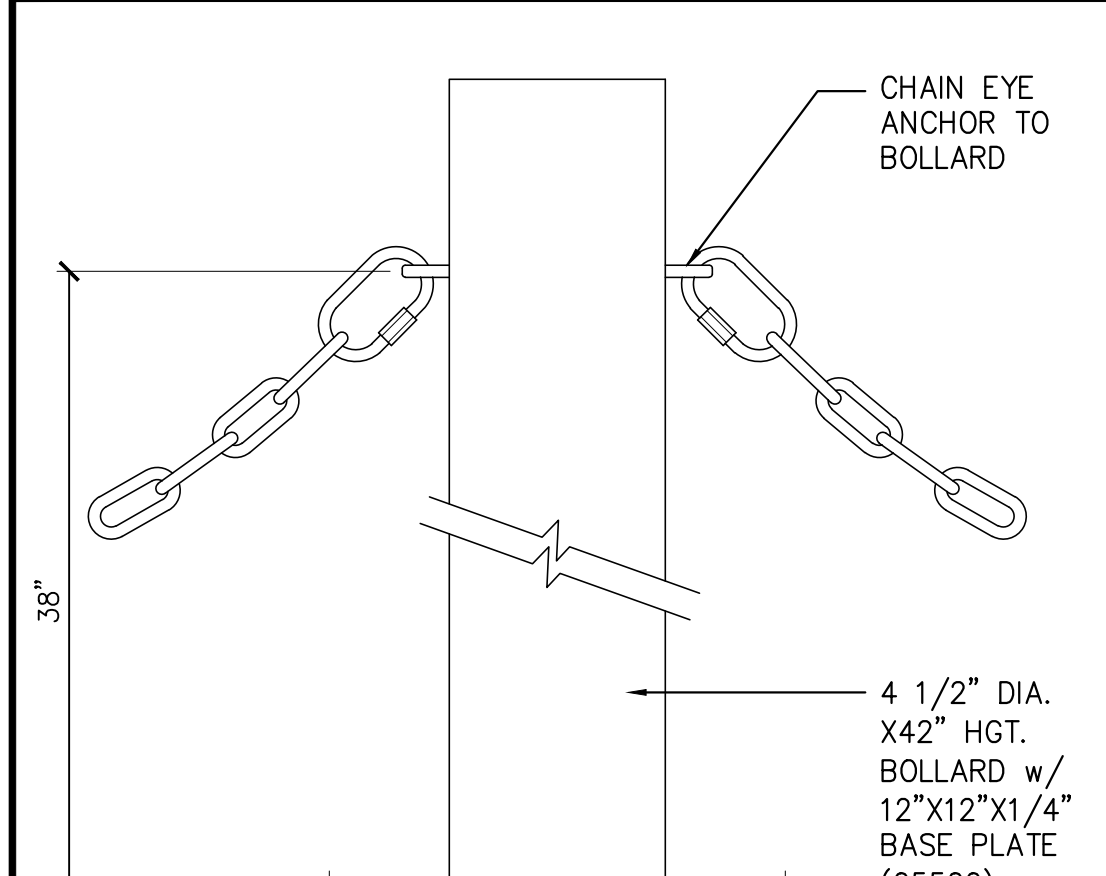


CONTRACTOR(S) SHALL VERIFY EXISTING CONDITIONS AND CORRELATE DIMENSIONS PRIOR TO PROVIDING THE WORK DETAILED IN THESE DRAWINGS. AND SHALL PROMPTLY NOTIFY THE ARCHITECT OF ANY DISCREPANCIES.  
 © COPYRIGHT SBLM ARCHITECTS P.C. UNAUTHORIZED REPRODUCTION OR OTHER USE OF THIS DRAWING IS PROHIBITED.



<b>CART BUMPER</b>	<b>19</b>
REF.: A7.1	SOURCE: 3\"/>

<b>GYP. BD. CONTROL JOINT</b>	<b>18</b>
REF.: A2.1	SOURCE: 3\"/>

<b>CART STORAGE AREA</b>	<b>17</b>
REF.: A2.3	SOURCE: 1/4\"/>

<b>CONC. SLAB/TRENCHING DETAIL</b>	<b>16</b>
REF.: A1.2	SOURCE: 3\"/>

<b>BOLLARDS DETAIL</b>	<b>15</b>
REF.:	SOURCE: 3\"/>

<b>FLOOR STRIPING AT PRE-SALES</b>	<b>14</b>
REF.:	SOURCE: 1/4\"/>

<b>TUB ROOM CORNER DETAIL</b>	<b>13</b>
REF.:	SOURCE: 3\"/>

<b>COLUMN COVERING DETAIL</b>	<b>12</b>
REF.: A2.1	SOURCE: 3\"/>

<b>WALL BUMPER PLAN DETAILS</b>	<b>11</b>
REF.: A2.1, A7.1	SOURCE: 3\"/>

<b>HITCHING RING DETAIL</b>	<b>10</b>
REF.: A7.1, A9.2	SOURCE: 3\"/>

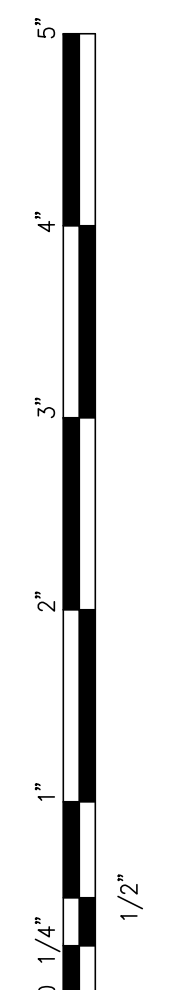
<b>WIRE SHELVING WALL REINF. DETAIL</b>	<b>09</b>
REF.: A9.1, A9.2	SOURCE: 3\"/>

<b>FLOOR &amp; WALL BASE FINISH DET.</b>	<b>04</b>
REF.: A2.1, A2.2, A7.1	SOURCE: N.T.S.

<b>NOT USED</b>	<b>03</b>
REF.:	SOURCE: SCALE

<b>BREAK &amp; WELLNESS ROOMS SECTION</b>	<b>02</b>
REF.: A7.1	SOURCE: 1 1/2\"/>

<b>OFFICE COUNTER &amp; SHELF DETAIL</b>	<b>01</b>
REF.: A7.1	SOURCE: 1 1/2\"/>



**SBLM**  
 SBLM Architects #A0003434  
 11400 N. Kendall Drive, Suite 310  
 Miami, FL 33176  
 Telephone 305-412-9187  
 Fax 305-412-6731  
 www.sblm.com

James Cohen  
 Lic. #22580

**petco**  
 PETCO ANIMAL SUPPLIES STORES, INC.  
 6834 WESLEY STREET  
 GREENVILLE, TX

DISTRIBUTION:	DATE:
75% SUBMISSION	08-11-11
98% SUBMISSION	08-16-11
100% SUBMISSION	09-23-11
PERMIT SET	09-28-11
FINAL PERMIT SET	09-20-13
BULLETIN 1	10-22-14

SBLM JOB#	PETCO P.M. JOB#
11107	11458
DRAWN:	CHECKED:
IT	MS

DRAWING TITLE:  
**INTERIOR DETAILS**  
**A8.2**