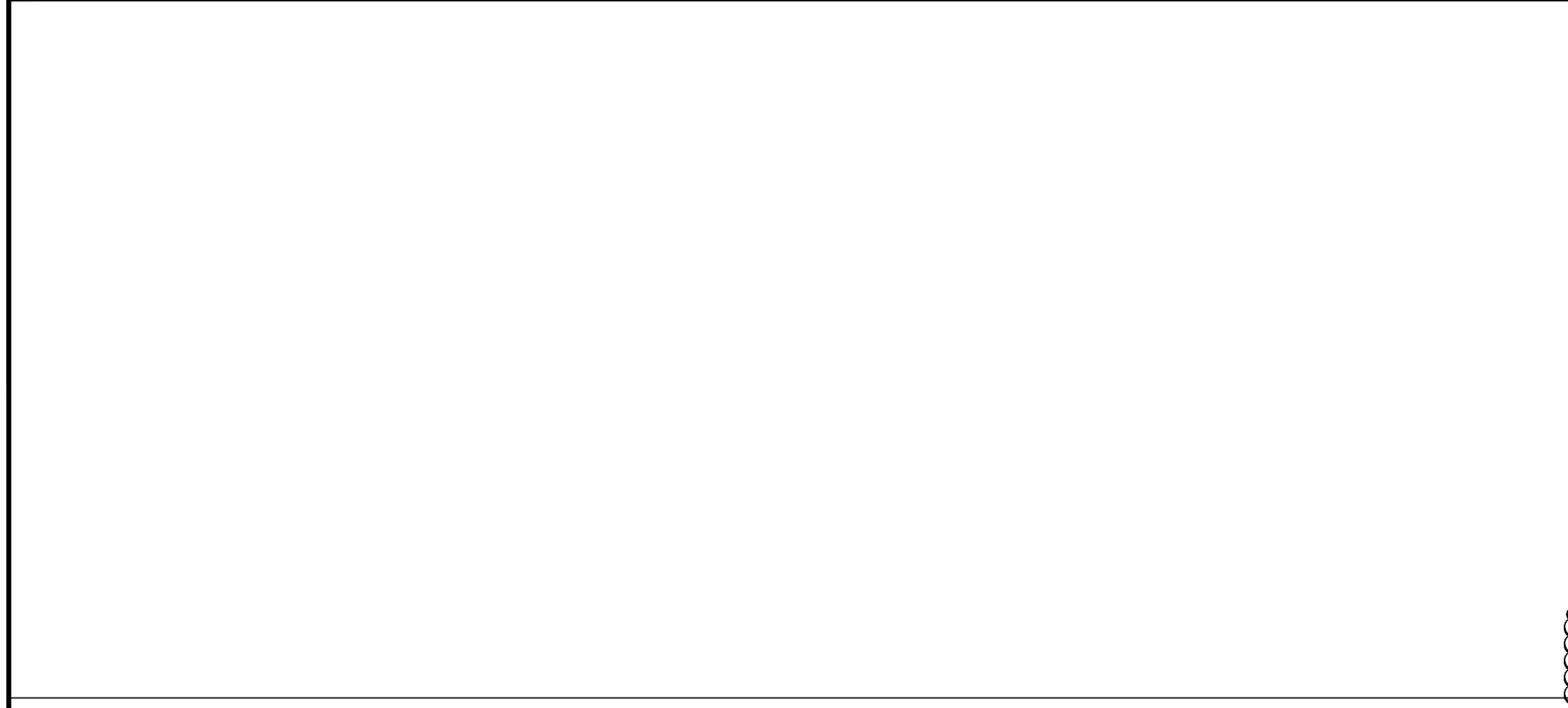
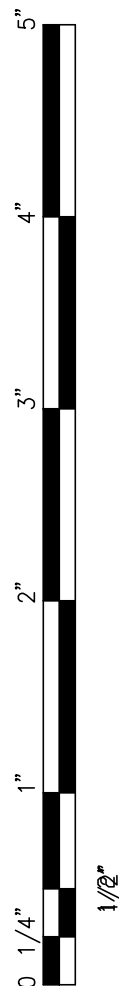
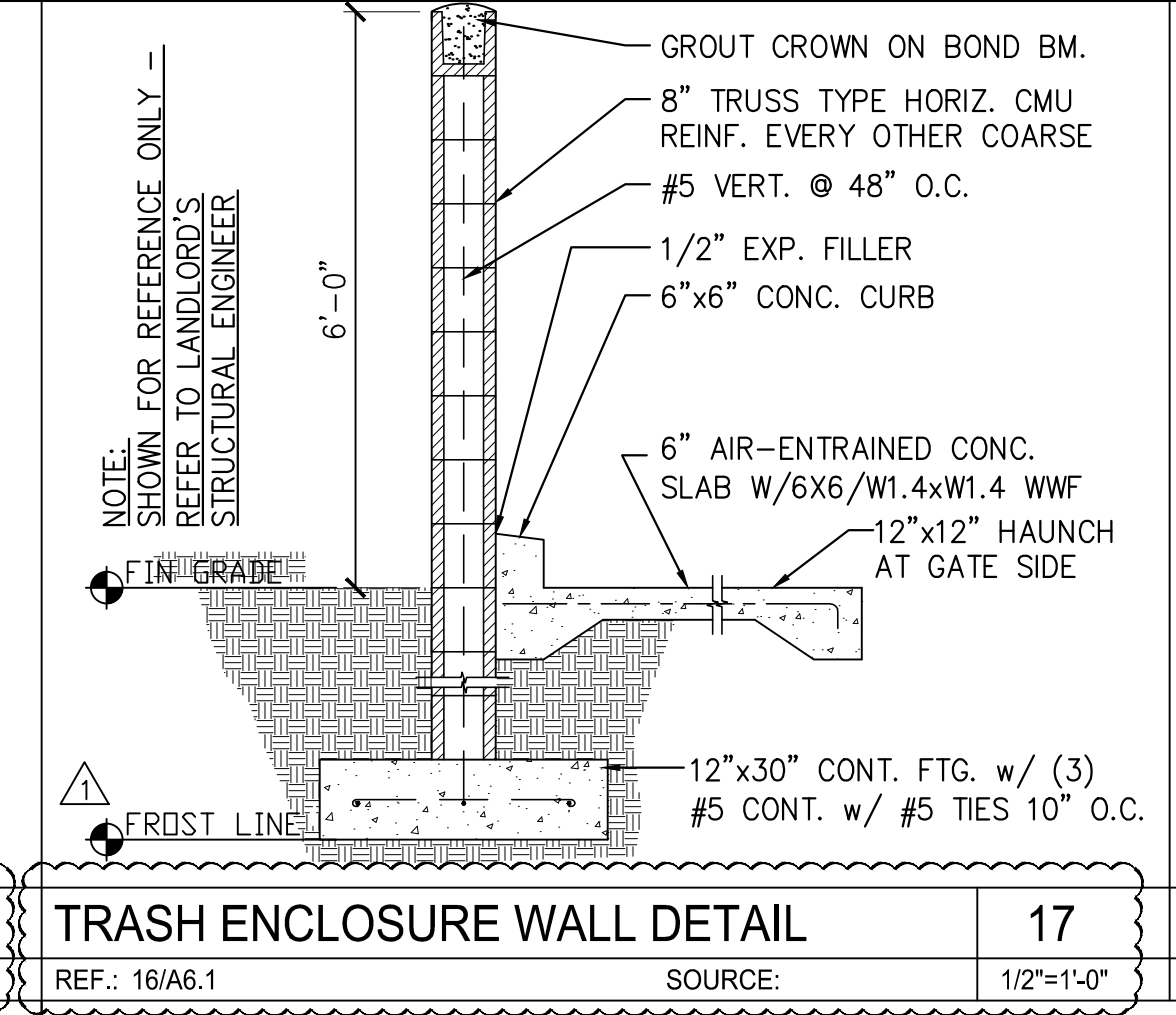


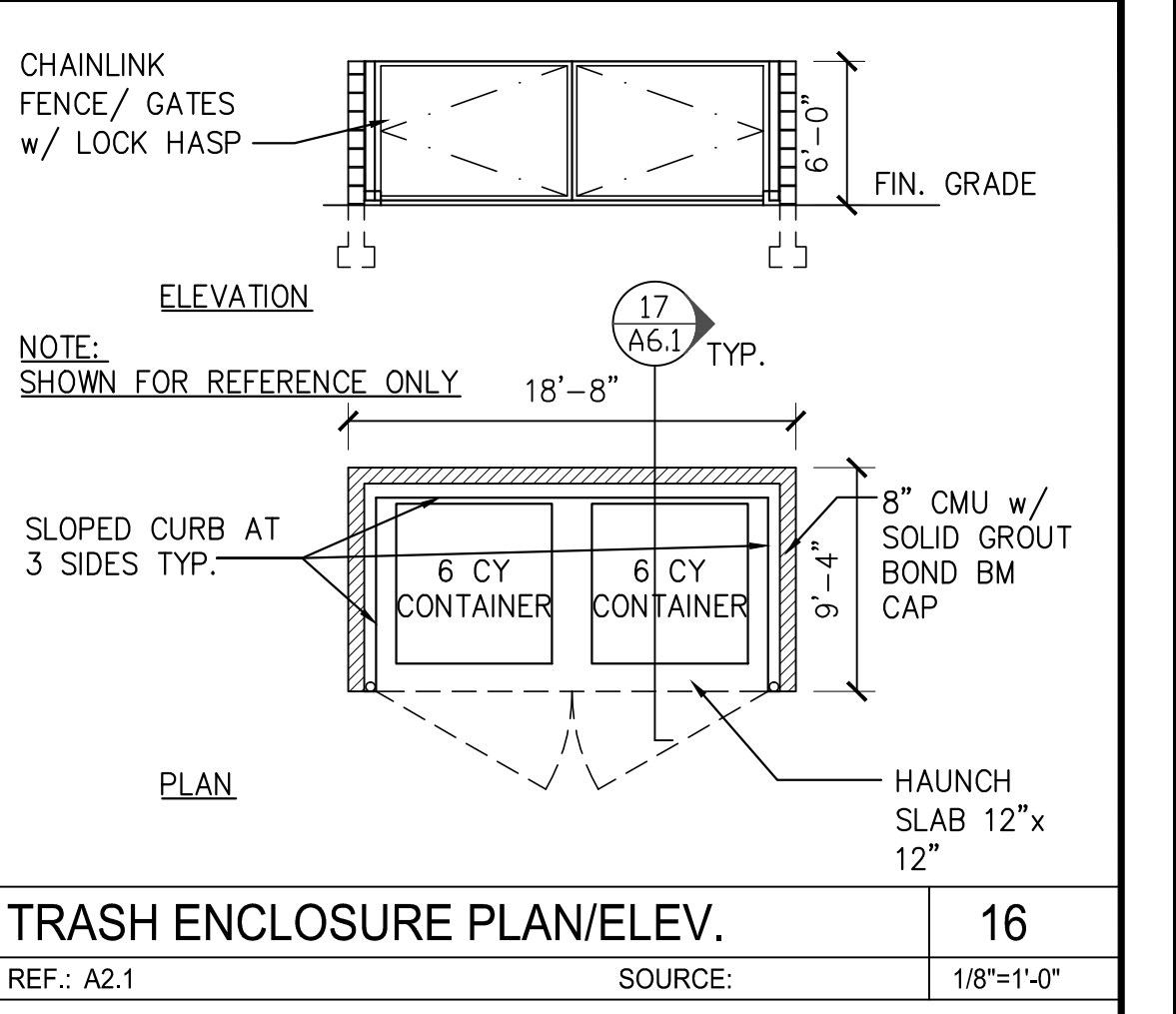
CONTRACTOR(S) SHALL VERIFY EXISTING CONDITIONS AND CORRELATE DIMENSIONS PRIOR TO PROVIDING THE WORK DETAILED IN THESE DRAWINGS. AND SHALL PROMPTLY NOTIFY THE ARCHITECT OF ANY DISCREPANCIES.
 © COPYRIGHT SBLM ARCHITECTS P.C. UNAUTHORIZED REPRODUCTION OR OTHER USE OF THIS DRAWING IS PROHIBITED.



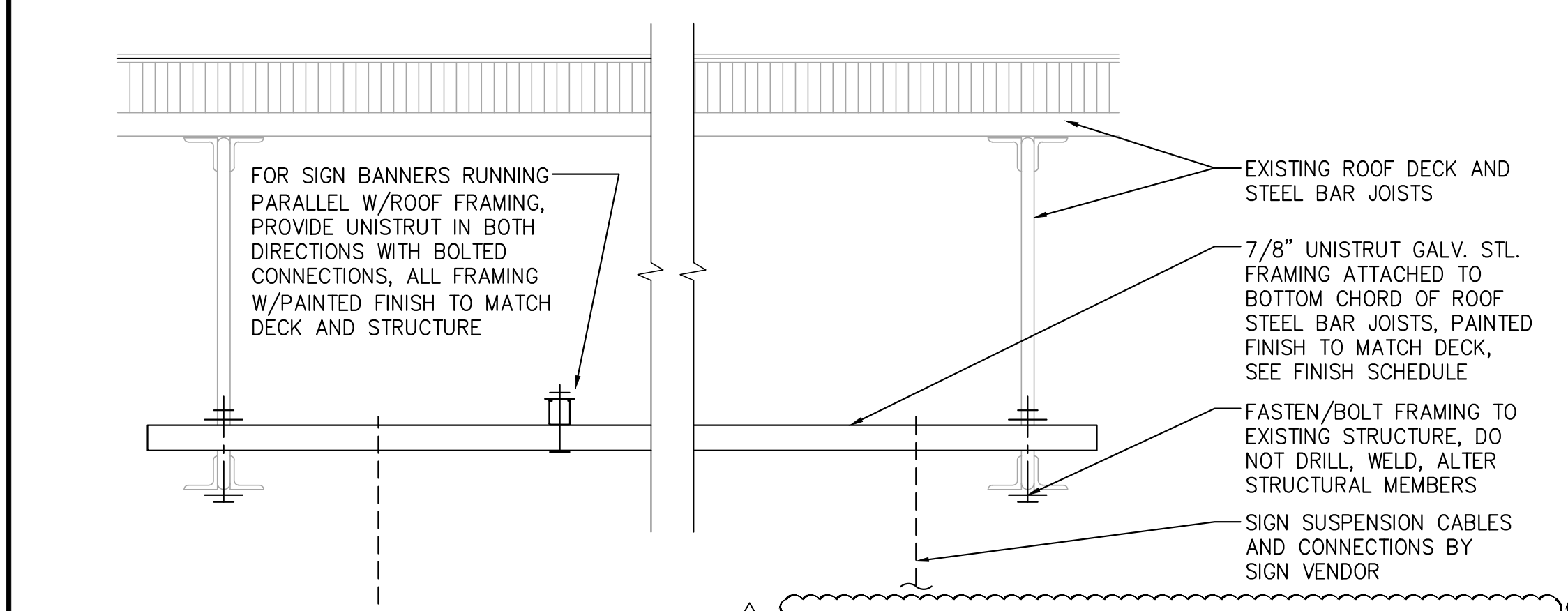
RESTROOM FLOOR TILE DETAIL 18
 REF.: 10/A2.2 SOURCE: 1/2"=1'-0"



TRASH ENCLOSURE WALL DETAIL 17
 REF.: 16/A6.1 SOURCE: 1/2"=1'-0"



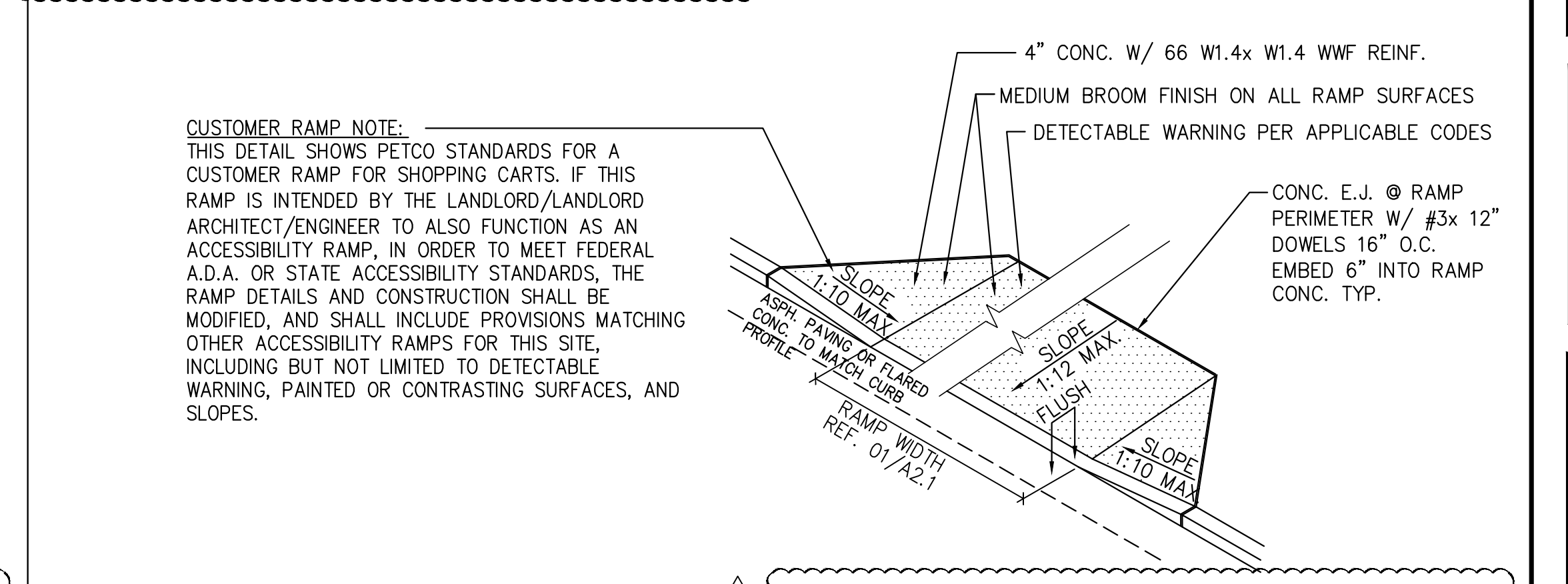
TRASH ENCLOSURE PLAN/ELEV. 16
 REF.: A2.1 SOURCE: 1/8"=1'-0"



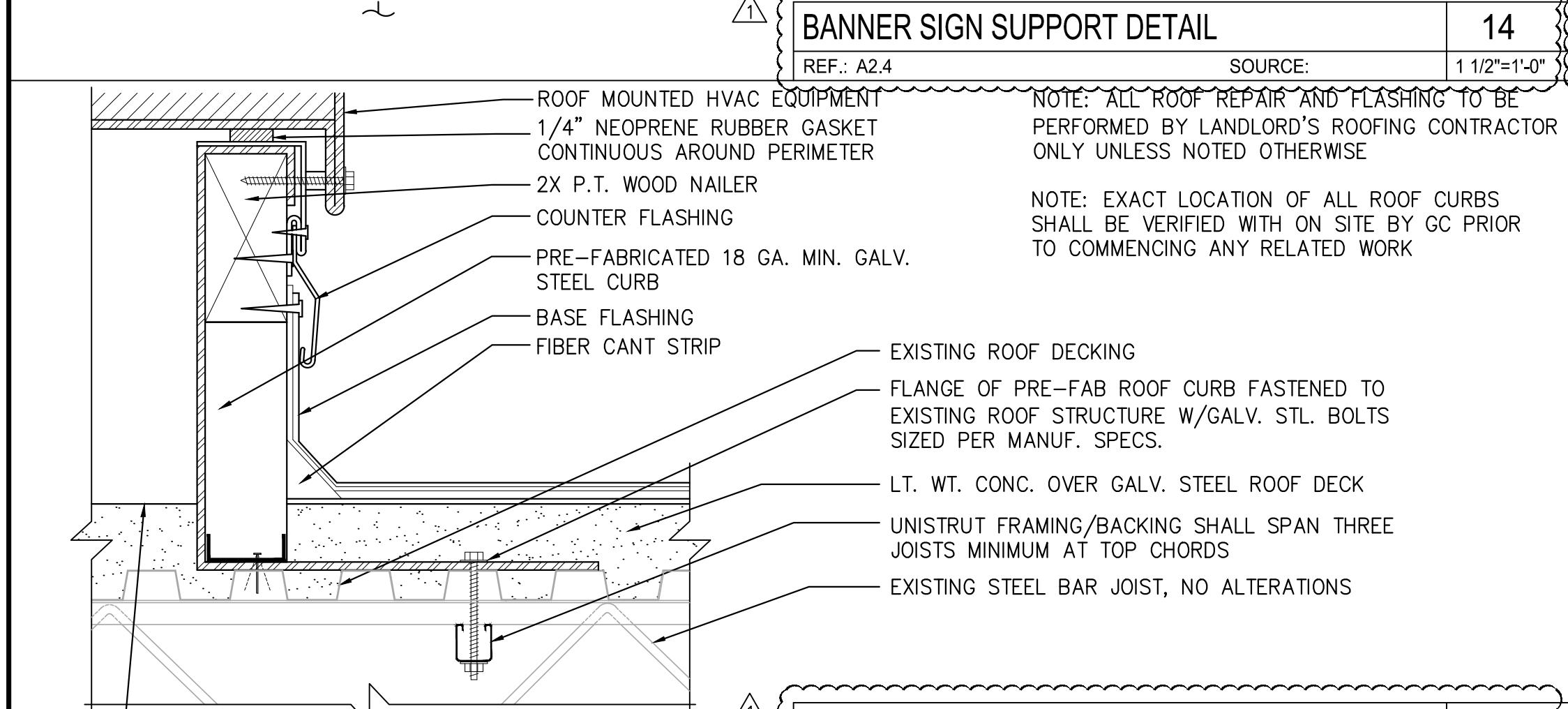
BANNER SIGN SUPPORT DETAIL 14
 REF.: A2.4 SOURCE: 1 1/2"=1'-0"



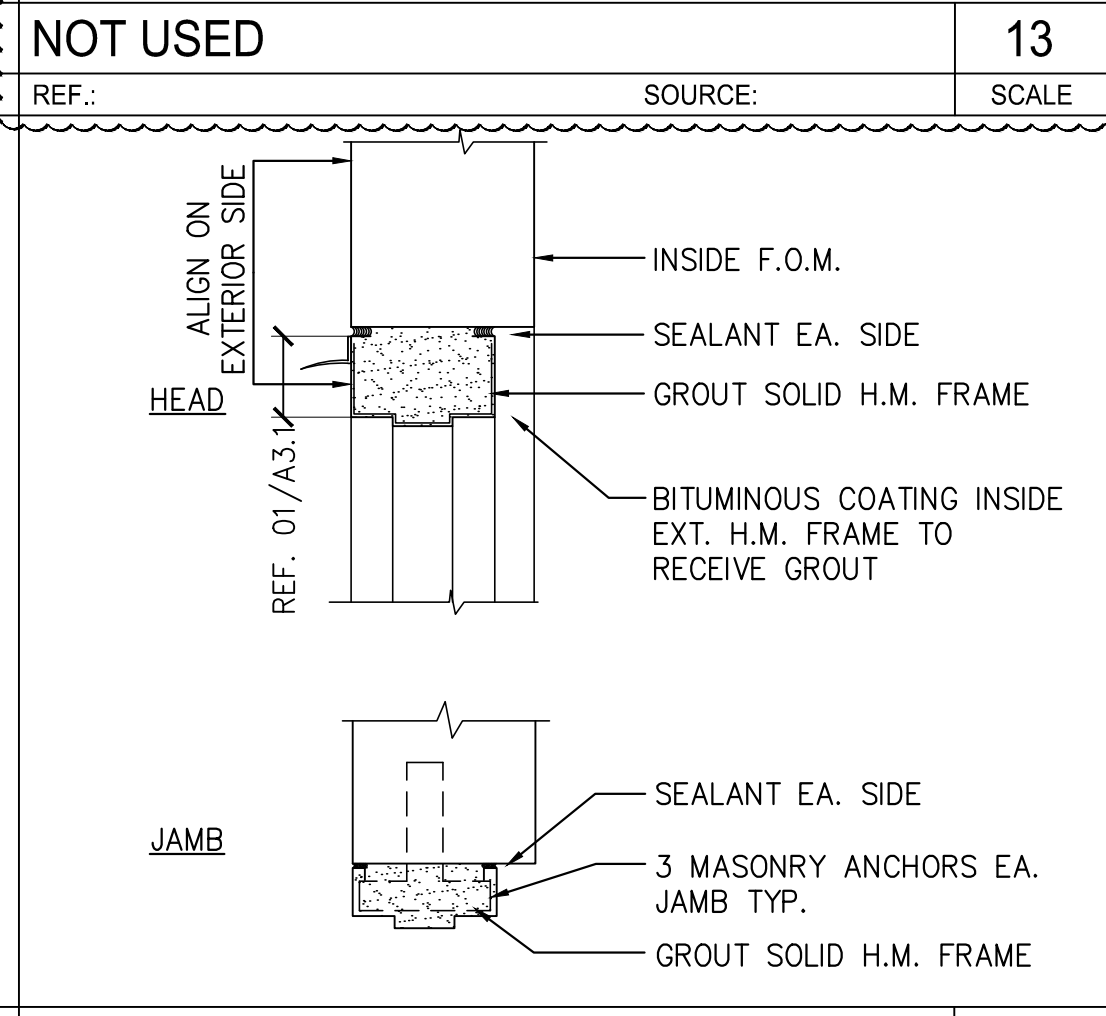
NOT USED 13
 REF.: SOURCE: SCALE



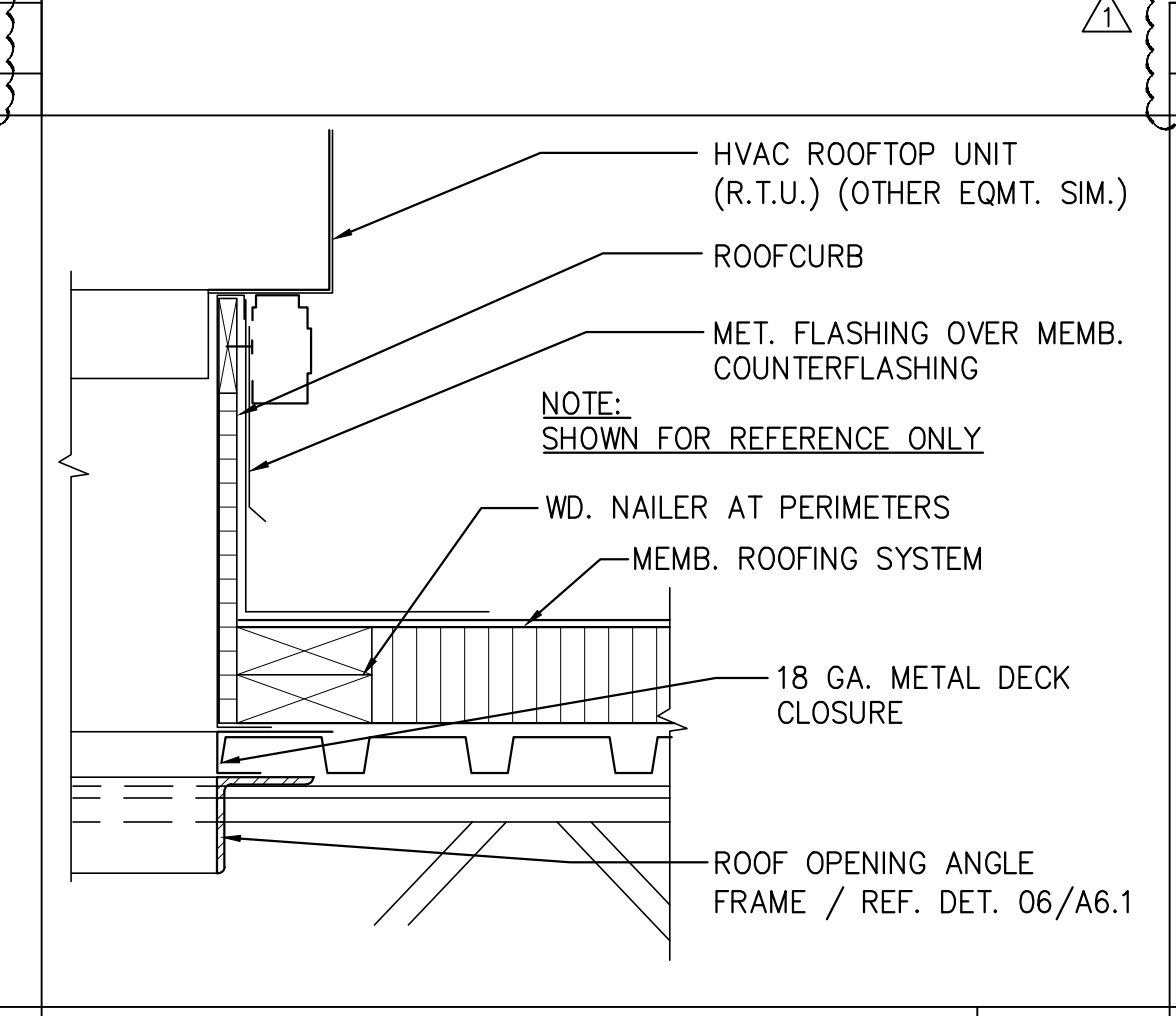
CUSTOMER RAMP DETAIL 11
 REF.: A2.1 SOURCE: N.T.S.



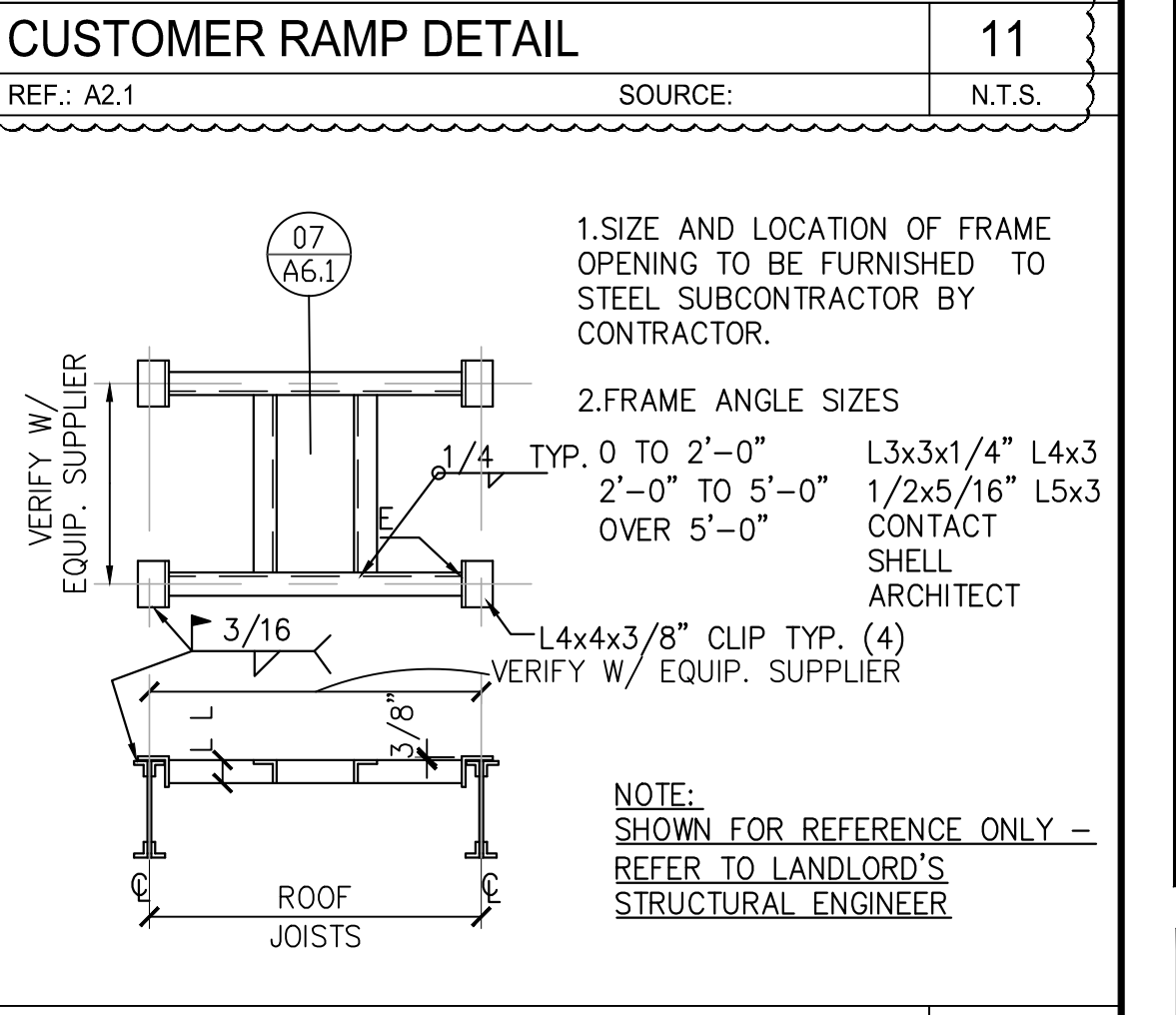
SPLIT SYSTEM CONDENSING UNIT CURB DETAIL 09
 REF.: A2.5 SOURCE: 1 1/2"=1'-0"



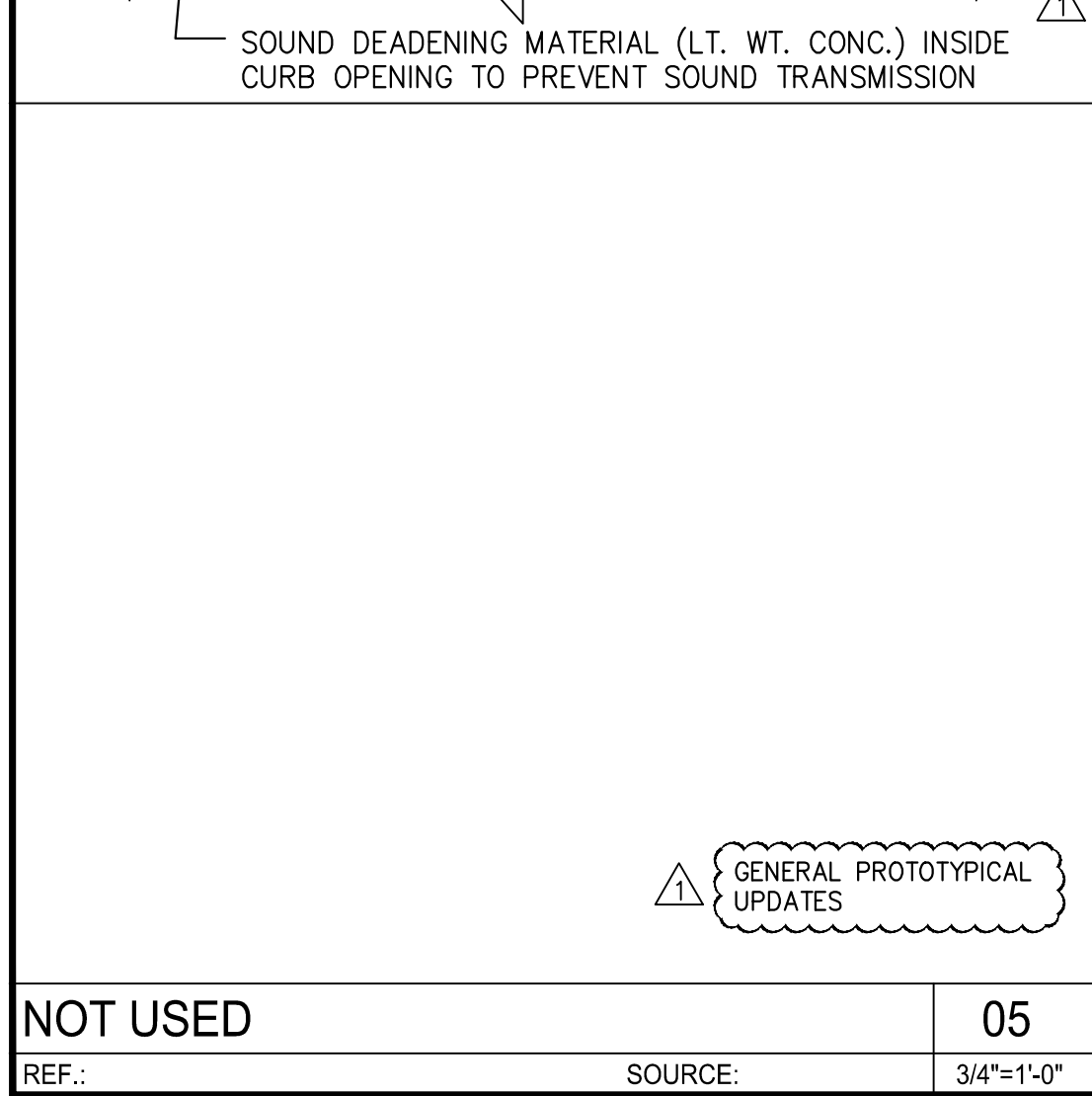
EXT. H.M. DOOR DETAIL 08
 REF.: 01/A3.1 SOURCE: 1 1/2"=1'-0"



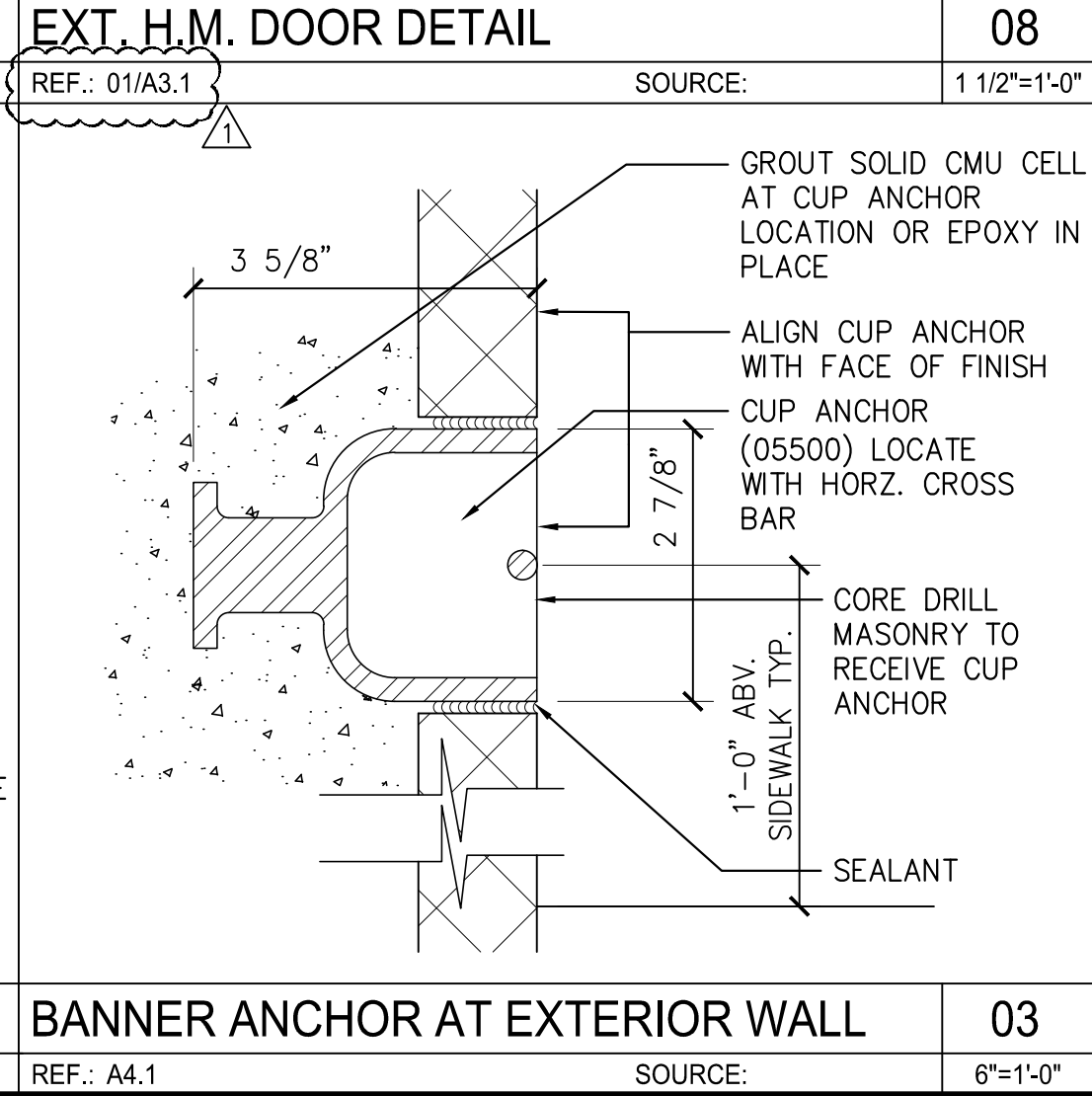
ROOF CURB DETAIL 07
 REF.: A2.5 SOURCE: 1 1/2"=1'-0"



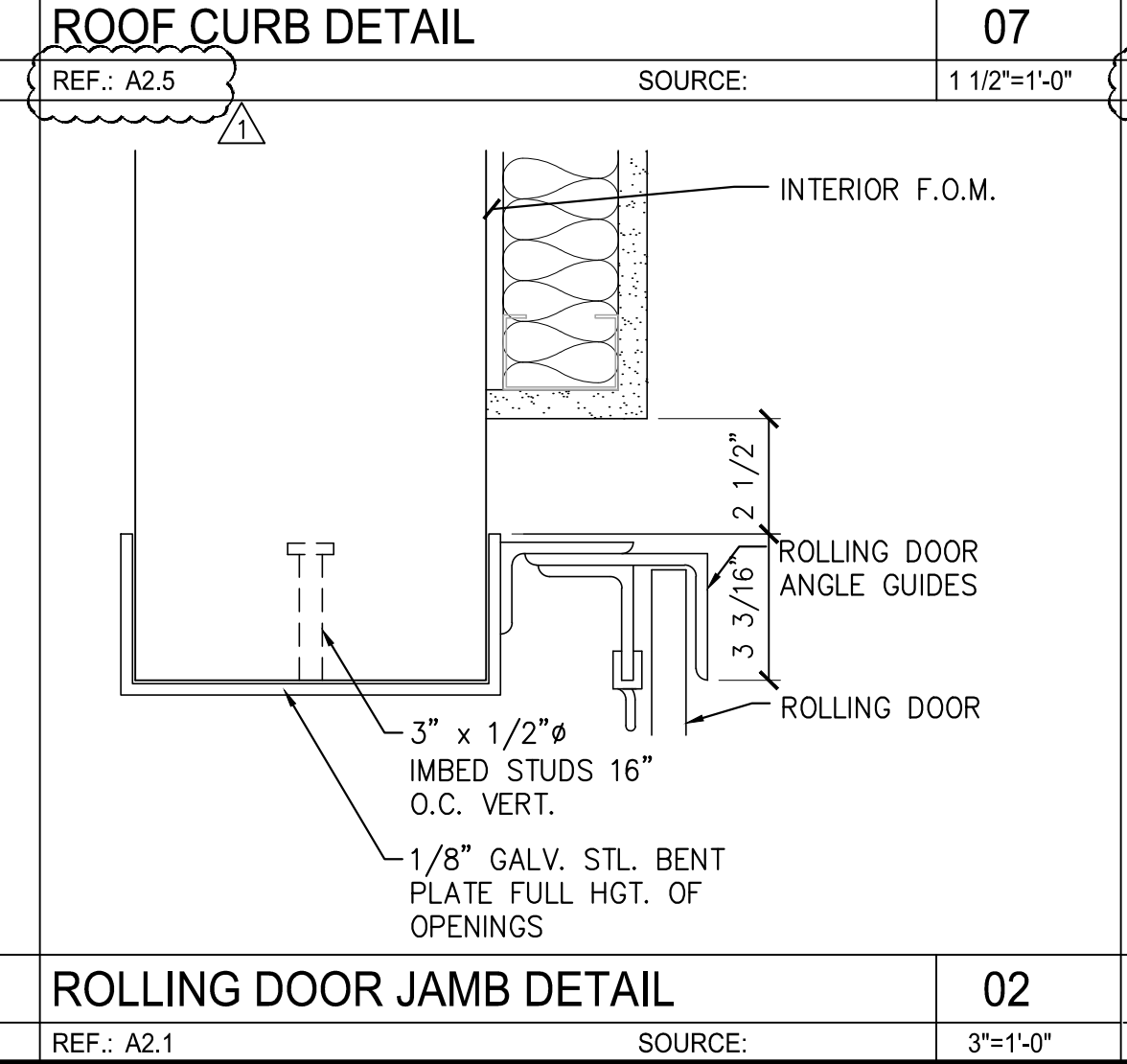
ROOF ANGLE FRAME DETAIL 06
 REF.: A2.5 SOURCE: N.T.S.



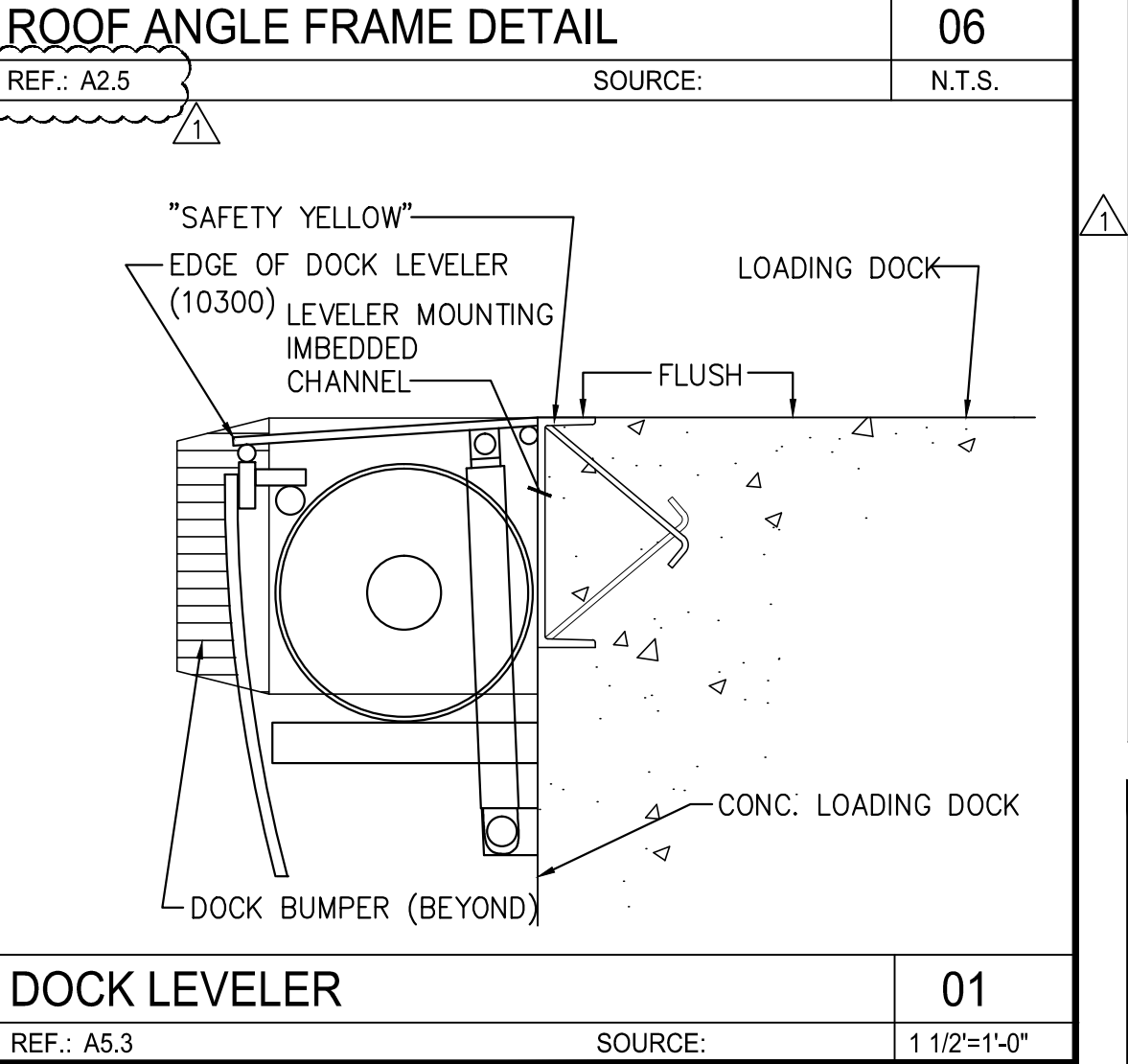
BANNER ANCHOR AT PARAPET COPING 04
 REF.: A4.1 SOURCE: 6"=1'-0"



BANNER ANCHOR AT EXTERIOR WALL 03
 REF.: A4.1 SOURCE: 6"=1'-0"



ROLLING DOOR JAMB DETAIL 02
 REF.: A2.1 SOURCE: 3"=1'-0"



DOCK LEVELER 01
 REF.: A5.3 SOURCE: 1 1/2"=1'-0"

NOT USED 05
 REF.: SOURCE: 3/4"=1'-0"

SBLM Architects #A4009343
 11400 N. Kendall Drive, Suite 310
 Miami, FL 33176
 Telephone 305-412-9187
 Fax 305-412-6731
 www.sblm.com

SBLM

James Cohen
 Lic. #22580

petco PETCO "GREENVILLE, TX"
 PETCO ANIMAL SUPPLIES STORES, INC. 6834 WESLEY STREET
 GREENVILLE, TX
AN AMERICAN FELLOWES DRIVE, GREENVILLE, TEXAS 75040

DISTRIBUTION:	DATE:
75% SUBMISSION	08-11-11
98% SUBMISSION	08-16-11
100% SUBMISSION	09-23-11
PERMIT SET	09-28-11
FINAL PERMIT SET	09-20-13
BULLETIN 1	10-22-14
SBLM JOB#	PETCO P.M. JOB#
11107	11458
DRAWN:	CHECKED:
IT	MS

DRAWING TITLE:
DETAILS
A6.1