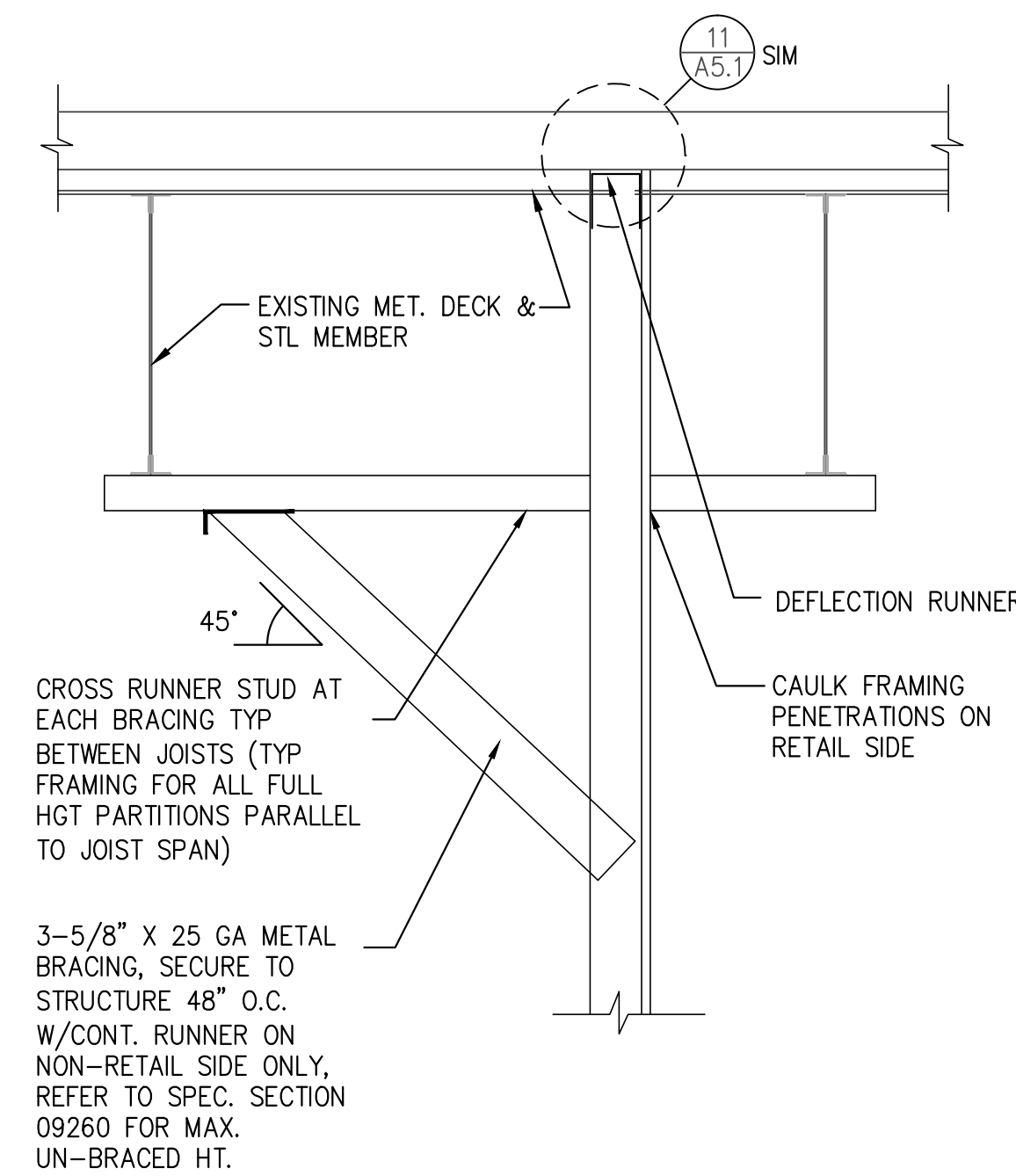
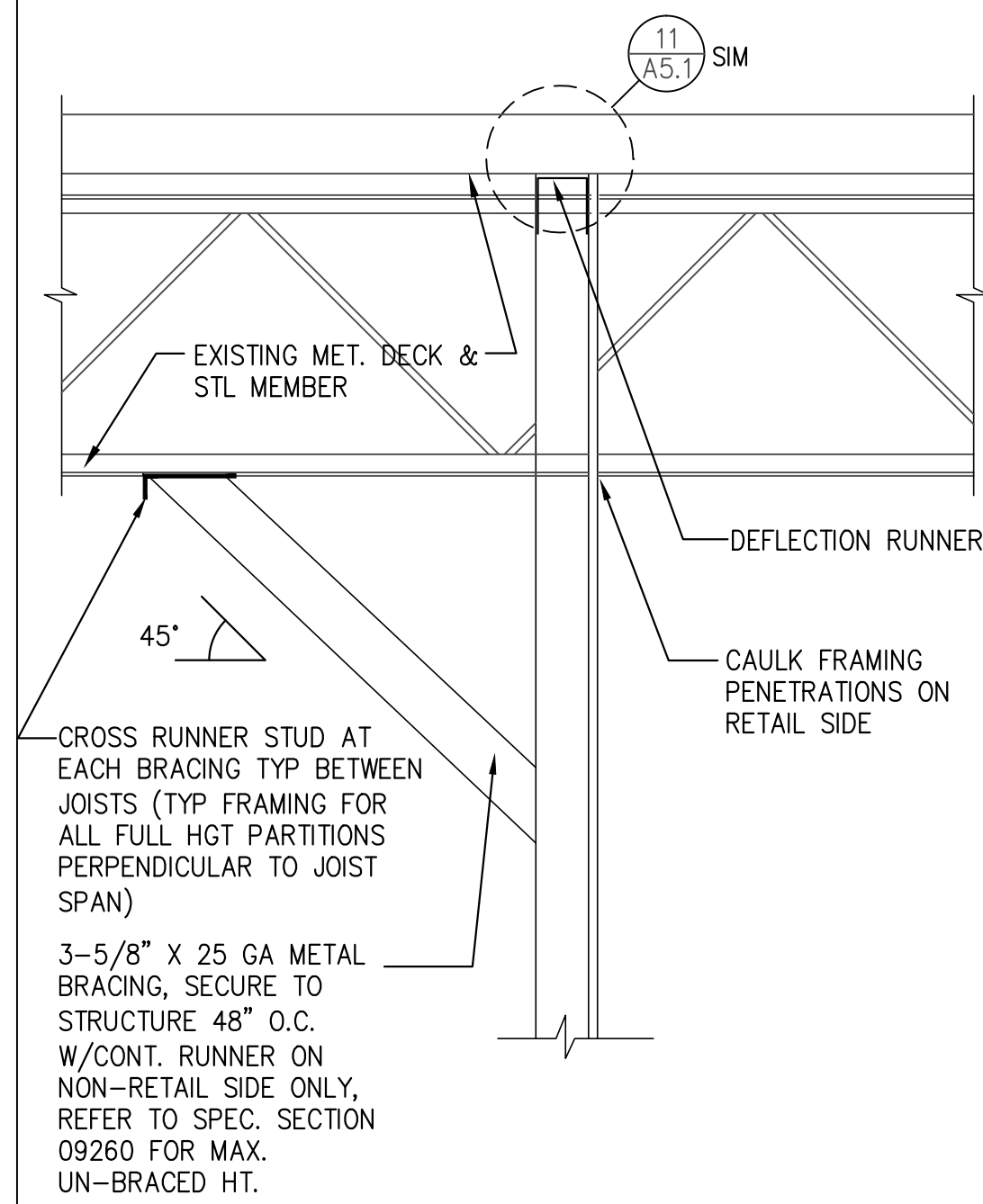


CONTRACTOR(S) SHALL VERIFY EXISTING CONDITIONS AND CORRELATE DIMENSIONS PRIOR TO PROVIDING THE WORK DETAILED IN THESE DRAWINGS. AND SHALL PROMPTLY NOTIFY THE ARCHITECT OF ANY DISCREPANCIES.
 COPYRIGHT SBLM ARCHITECTS PC. UNAUTHORIZED REPRODUCTION OR OTHER USE OF THIS DRAWING IS PROHIBITED.



PARTITION NOTES:

- PATCH & REPAIR EXISTING INTERIOR WALL SURFACE, FINISH AS REQUIRED, REFER TO 0900
- PROVIDE CONTINUOUS RODENT BARRIER HARDWARE CLOTH (05500), 4'-0" HIGH, SECURE TO FACE OF PARTITION FRAMING AND BOTTOM TRACK, PROVIDE AT ALL EXPOSED FRAMING ALONG EXTERIOR WALLS, AND TENANT SEPARATION PARTITIONS.
- 3/2" R-11 FSK-25 FACED BATT INSULATION W/VAPOR BARRIER TO THE REGIONALLY- APPROPRIATE SIDE, SLIGHTLY COMPRESS IN WALL CAVITY WHERE REQUIRED, FULL HEIGHT OF WALL CAVITY, U.N.O., AT 6" CAVITIES PROVIDE R-19 FSK-25 FACED BATT INSULATION SIMILARLY (07210)
- 3/8"x25 GA METAL BRACING, SECURE TO STRUCTURE @ 48" O.C. W/CONTINUOUS RUNNER ON NON-RETAIL SIDE ONLY, REFER 09260 FOR MAX. UN-BRACED HEIGHT, REFER TO BRACING DETAILS
- PROVIDE L-BEAD GYP. BD. EDGES ADJ. TO ALUMINUM STOREFRONT AND DISSIMILAR MATERIALS IN INTERIOR PARTITION END CONDITIONS
- BOTTOM TRACK W/HILTI X-DNI 32 PB POWDER ACTUATED FASTENERS 32" O.C., TYP.
- PARTITION FRAMING SHALL HAVE LATERAL BRACING 48" O.C. VERT., TYP.
- SECURITY MESH (05500) TO FROM BOTTOM TRACK TO 8'-0" HIGH, SECURE TO FACE OF PARTITION FRAMING AND BOTTOM TRACK, PROVIDE AT ALL EXPOSED FRAMING ALONG EXTERIOR WALLS, AND TENANT SEPARATION PARTITIONS.

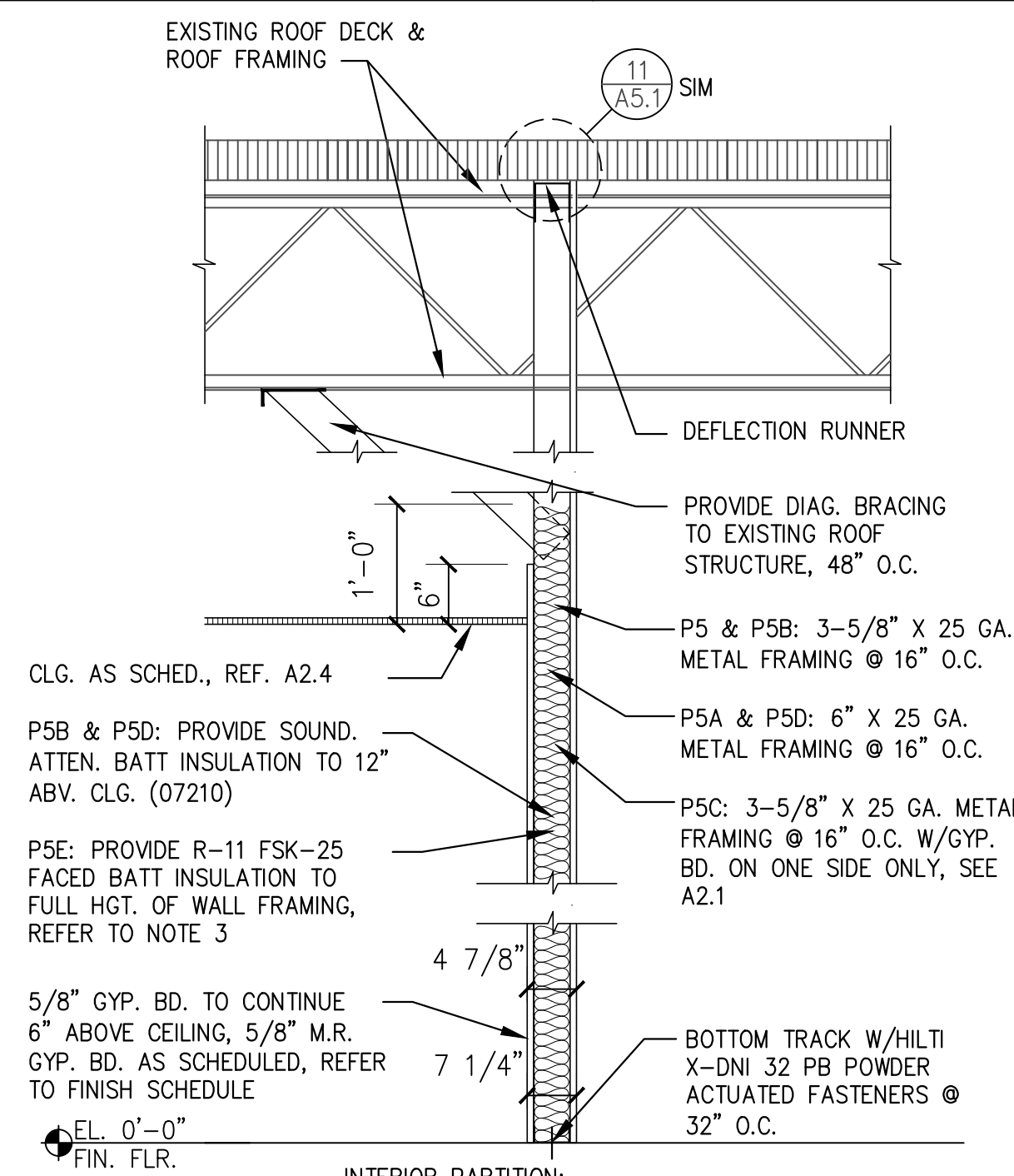
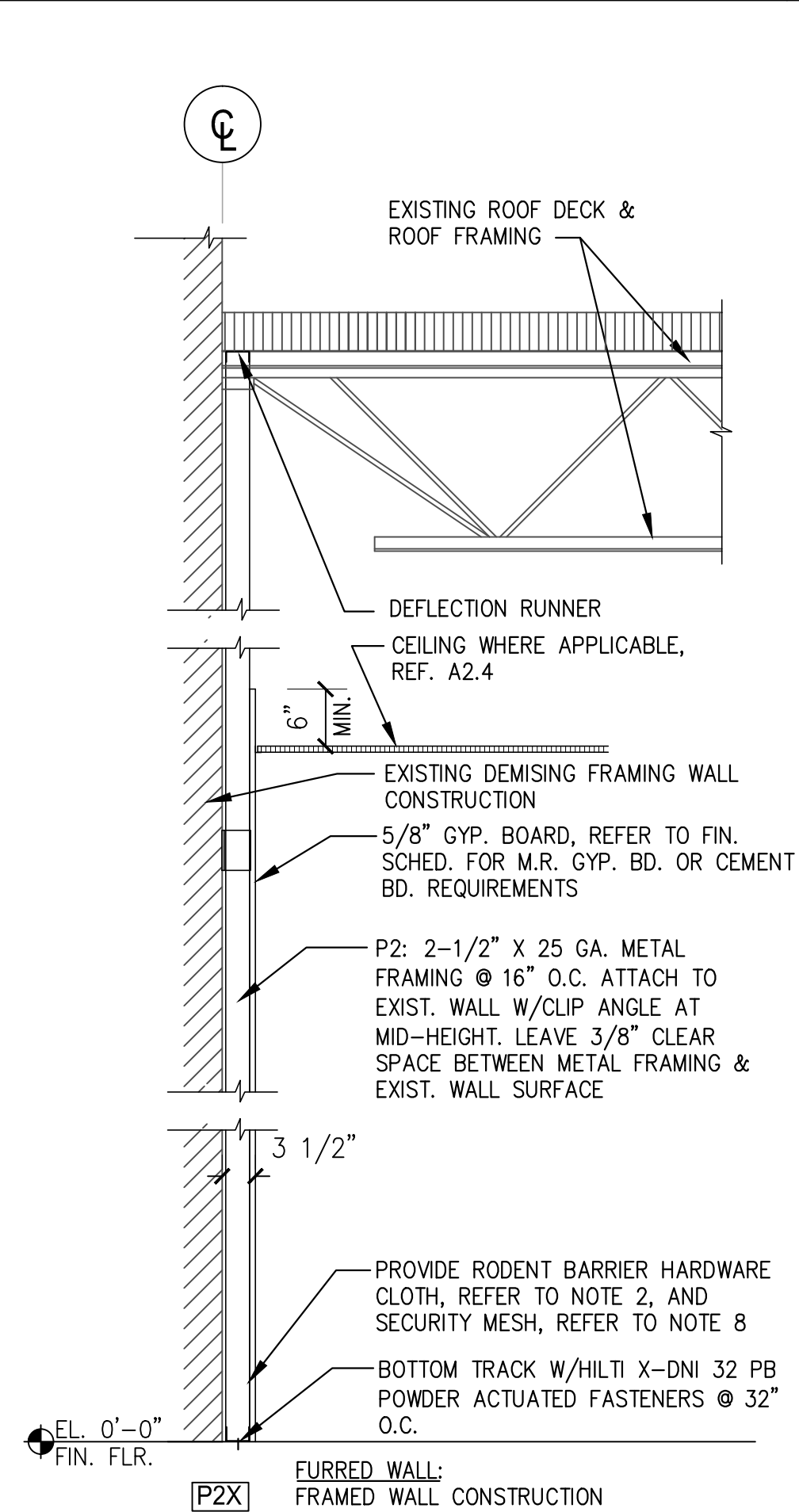
REFER TO SECTION 09260 TABLE "NONSTRUCTURAL LIMITING HEIGHTS" FOR PARTITION STANDARDS BASED ON DEFLECTION LIMIT L/240, UNIFORM 5 PSF LATERAL LOAD. 25 GA METAL WALL FRAMING IS THE MIN. GAUGE POSSIBLE. HEAVIER GAUGE FRAMING MAY BE REQUIRED FOR THIS PROJECT, DEPENDING ON FIELD CONDITIONS AND FRAMING HEIGHTS.

BRACING DETAILS

REF.: A2.1 SOURCE: 1"=1'-0"

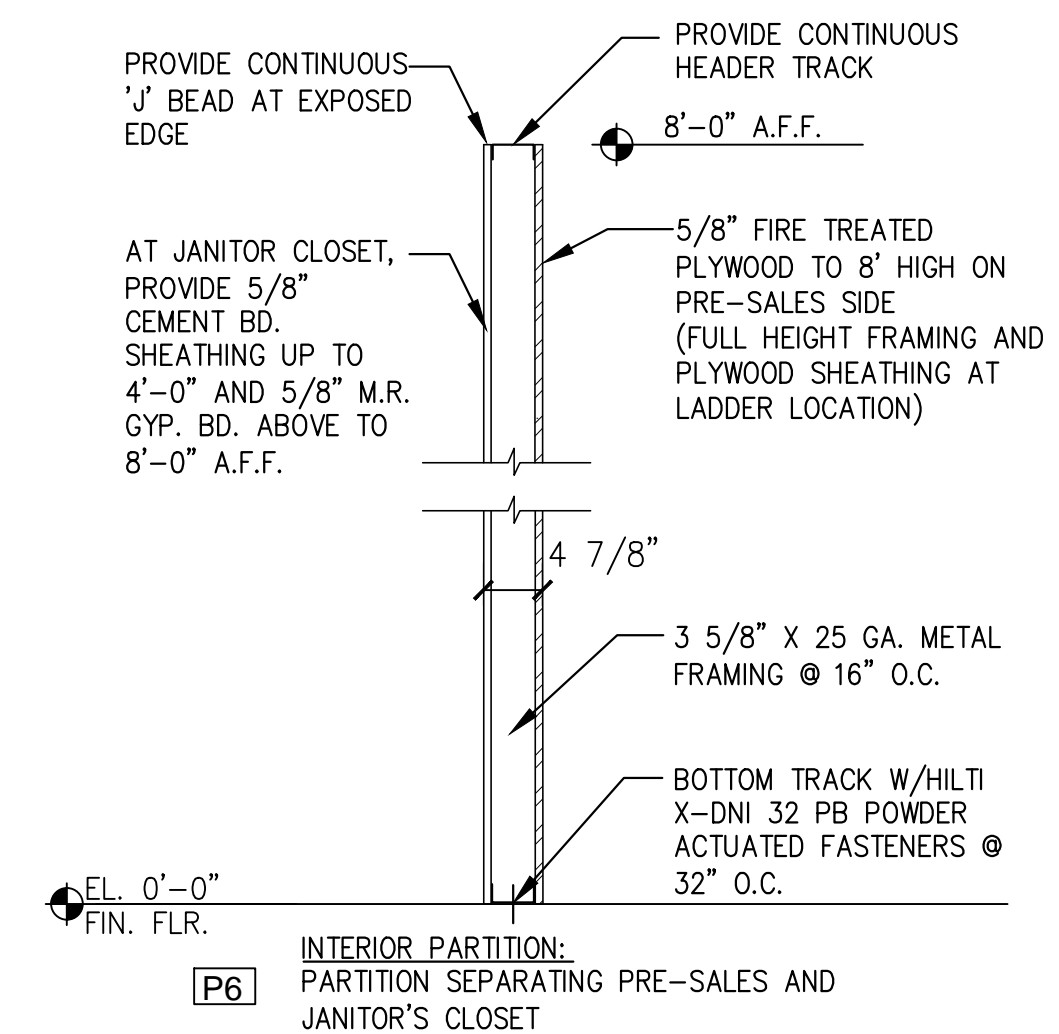
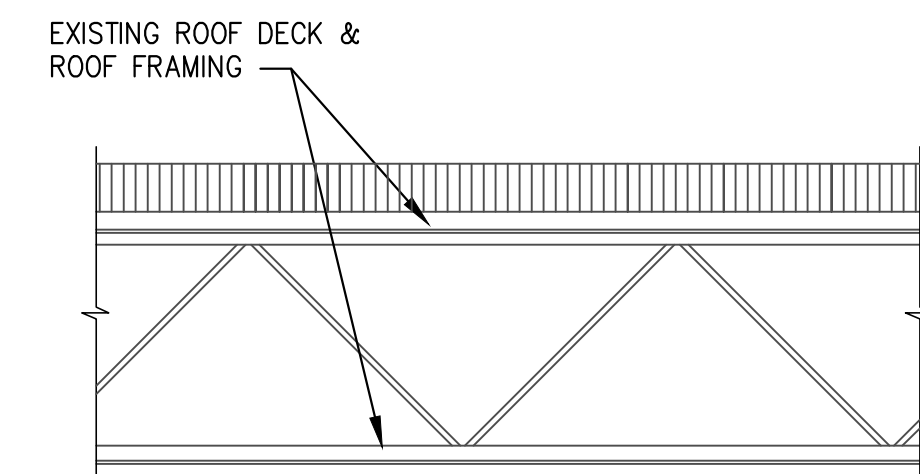
PARTITION NOTES

REF.: A2.1 SOURCE: N/A



- INTERIOR PARTITION:
- P5 3-5/8" METAL FRAMING, WITHOUT INSULATION
 - P5A 6" METAL FRAMING, WITHOUT INSULATION
 - P5B 3-5/8" METAL FRAMING, WITH INSULATION
 - P5C 3-5/8" METAL FRAMING, WITHOUT INSULATION, GYP. BD. ON ONE SIDE (PLATFORM)
 - P5D 6" METAL FRAMING, WITH INSULATION
 - P5E 3-5/8" METAL FRAMING, WITH THERMAL INSULATION (VESTIBULE)

GENERAL PARTITION TYPES PROTOTYPICAL UPDATES



- INTERIOR PARTITION:
- P6 PARTITION SEPARATING PRE-SALES AND JANITOR'S CLOSET

PARTITION TYPES

REF.: A2.1 SOURCE: 3/4"=1'-0"

01

petco
 PETCO ANIMAL SUPPLIES STORES, INC.
 6834 WESLEY STREET
 GREENVILLE, TX

DISTRIBUTION:	DATE:
75% SUBMISSION	08-11-11
98% SUBMISSION	08-16-11
100% SUBMISSION	09-23-11
PERMIT SET	09-28-11
FINAL PERMIT SET	09-20-13
BULLETIN 1	10-22-14

SBLM JOB#	PETCO P.M. JOB#
11107	11458
DRAWN:	CHECKED:
IT	MS

DRAWING TITLE:
 PARTITION TYPES

A5.5

SBLM Architects #A000934
 11400 N. Kendall Drive, Suite 310
 Miami, FL 33176
 Telephone 305-412-9187
 Fax 305-412-6731
 www.sblm.com

James Cohen
 Lic. #22580