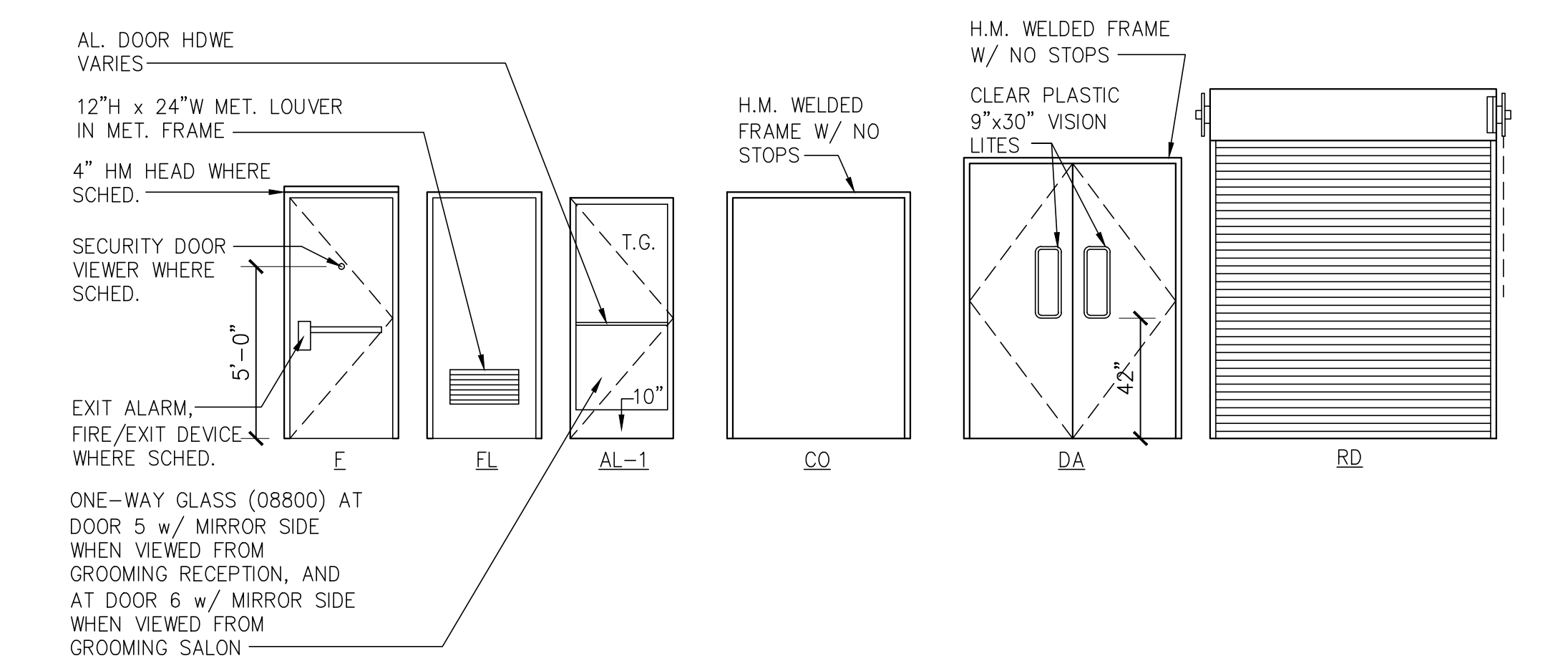
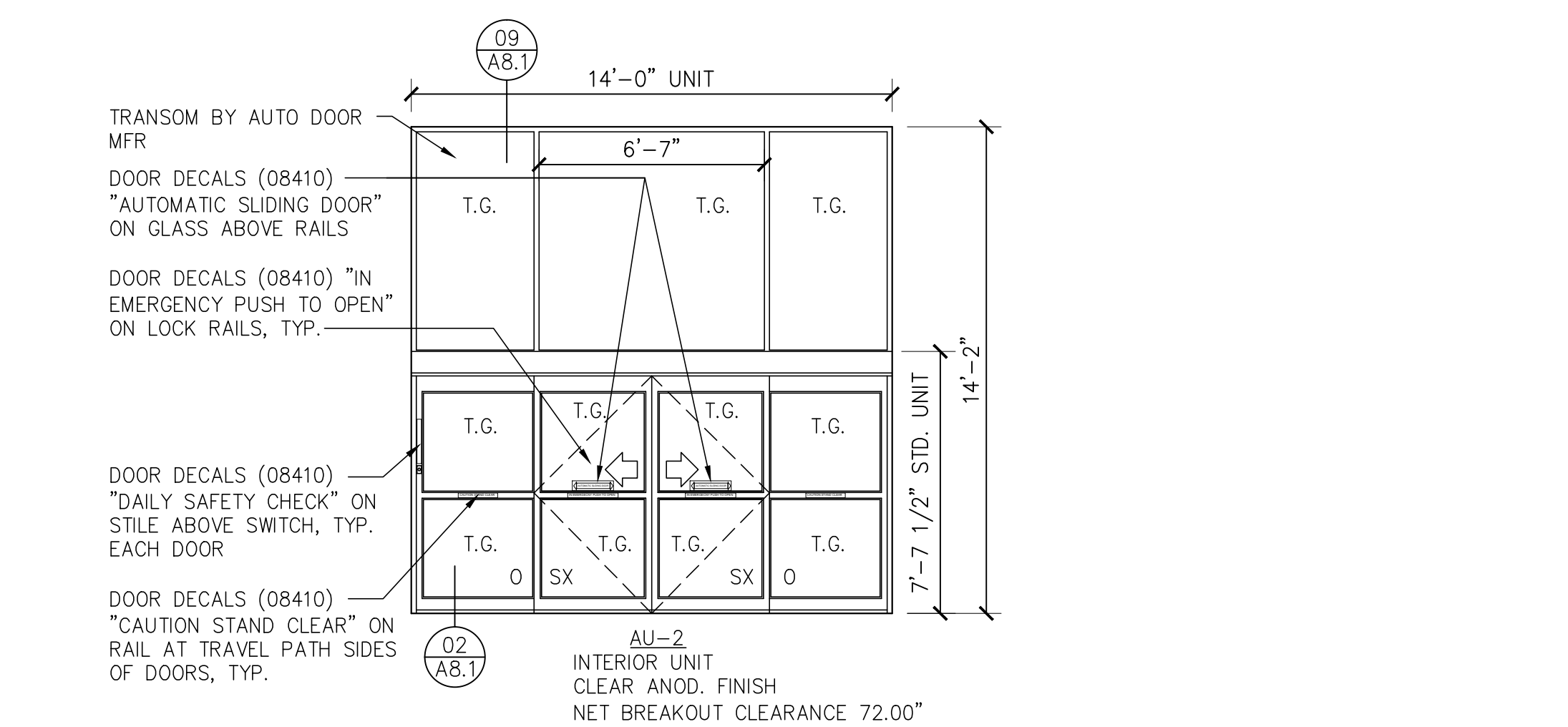
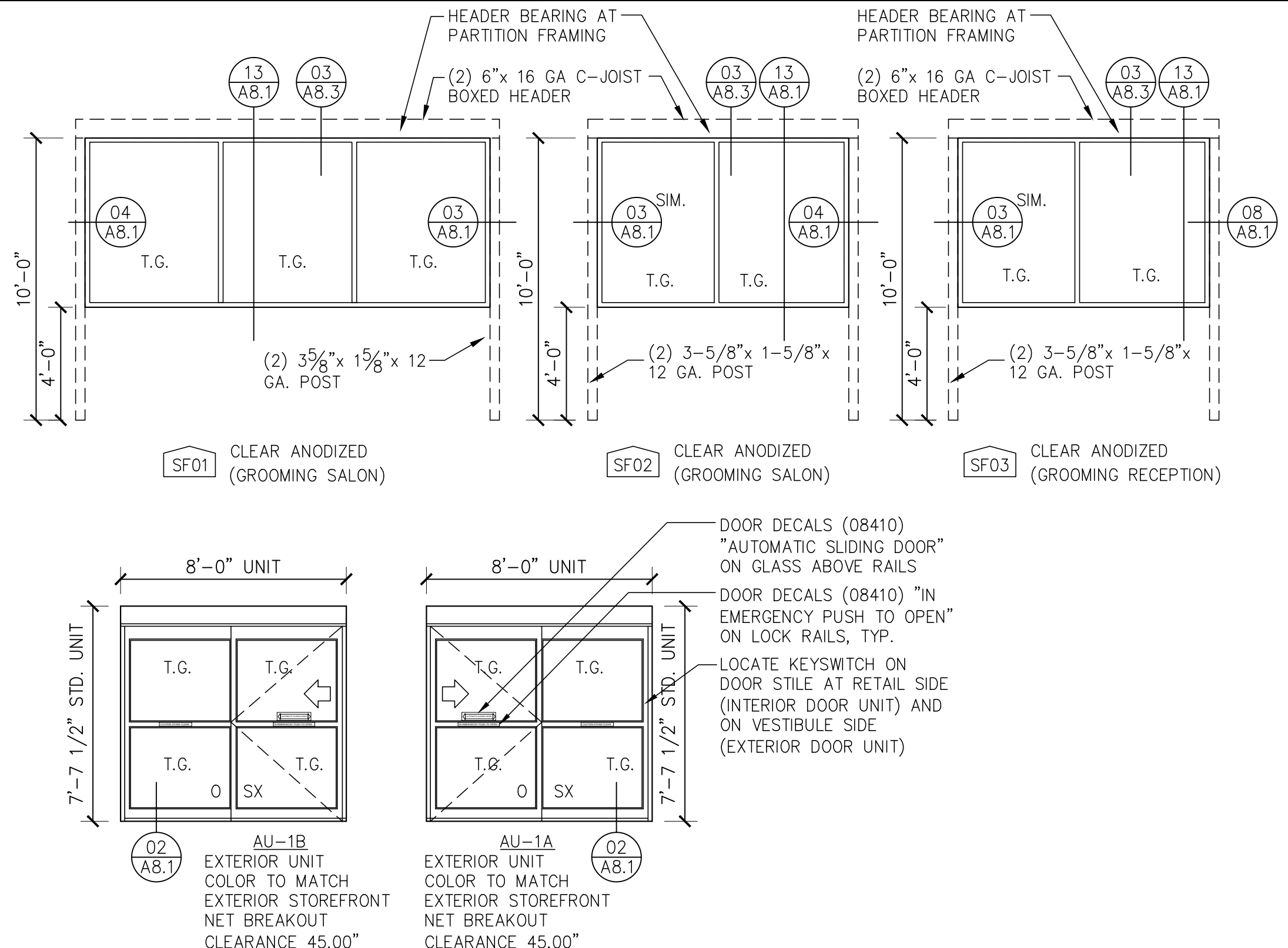


CONTRACTOR(S) SHALL VERIFY EXISTING CONDITIONS AND CORRELATE DIMENSIONS PRIOR TO PROVIDING THE WORK DETAILED IN THESE DRAWINGS. AND SHALL PROMPTLY NOTIFY THE ARCHITECT OF ANY DISCREPANCIES.
 COPYRIGHT SBLM ARCHITECTS PC. UNAUTHORIZED REPRODUCTION OR OTHER USE OF THIS DRAWING IS PROHIBITED.



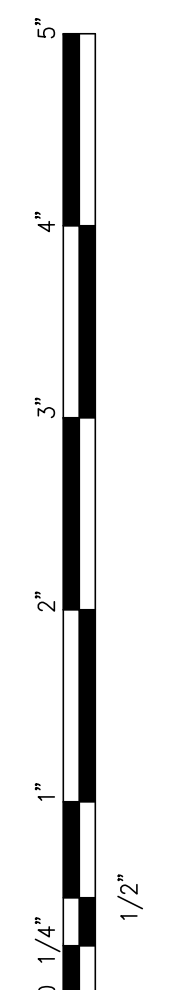
DOOR & STOREFRONT TYPES		04
REF.:	SOURCE:	1/4"=1'-0"

A2.1 MARK	DOOR			FRAME				HDWE SET	FIRE LABEL	REF	REMARKS	
	SWING FROM/TO	TYPE	MATERIAL	WIDTH	HEIGHT	THK.	FINISH FROM/TO					MATERIAL
** 1A	VESTIBULE/EXT.	AU-1A	ALUMINUM/GLASS LITES	8'-0" UNIT	7'-7 1/2" UNIT	STD.	MFR. PREFIN.	AL UNIT	STD.	MFR. PREFIN.	1 - 08410	AUTO DR. UNIT W/ BREAKOUTS w/ TRANSOM
** 1B	VESTIBULE/EXT.	AU-1B	ALUMINUM/GLASS LITES	8'-0" UNIT	7'-7 1/2" UNIT	STD.	MFR. PREFIN.	AL UNIT	STD.	MFR. PREFIN.	1 - 08410	AUTO DR. UNIT W/ BREAKOUTS w/ TRANSOM
2	RETAIL/VESTIBULE	AU-2	ALUMINUM/GLASS LITES	14'-0" UNIT	7'-7 1/2" UNIT	STD.	MFR. PREFIN.	AL UNIT	STD.	MFR. PREFIN.	2 - 08410	AUTO DR. UNIT W/ BREAKOUTS w/ TRANSOM
5	GROOMING / CAGE ROOM	AL-1	ALUMINUM/GLASS LITE	3'-0"	7'-0"	STD.	MFR. PREFIN.	ALUMINUM	1-3/4"	MFR. PREFIN.	3.1 - 08410	OFFSET PIVOT HINGES, ONE-WAY GLASS
6	GROOMING / CAGE SALON	AL-1	DOUBLE ACTING ALUM	3'-0"	7'-0"	STD.	MFR. PREFIN.	ALUMINUM	1-3/4"	MFR. PREFIN.	4 - 08410	CENTER PIVOT HINGES, PUSH BAR BOTH SIDES, ONE-WAY GLASS
8	RETAIL/OFFICE	F	HOLLOW METAL	3'-0"	7'-0"	1-3/4"	PTD. PT-01 SG	HOLLOW METAL KNOCK-DOWN	2"	PTD. PT-01 SG	6 - 08100	SEE SIMILAR DETAIL FOR DOOR STOP AT 15/A8.1
9	HALL./BREAK RM.	F	HOLLOW METAL	3'-0"	7'-0"	1-3/4"	PTD. PT-01 SG	HOLLOW METAL KNOCK-DOWN	2"	PTD. PT-01 SG	7 - 08100	SEE DETAIL FOR DOOR STOP AT 15/A8.1
**10	HALL./EXTERIOR	F	HOLLOW METAL	3'-6"	7'-0"	1-3/4"	INT:PTD. PT-01 SG EXT:BLDG COLOR	HOLLOW METAL REF. SHELL	INT:PTD. PT-01 SG EXT:BLDG COLOR	8 - 08100	SOLID GROUDED DOOR FRAME, EXIT DEVICE, REF. 8/A6.1	
11	HALL./MEN'S RM.	F	HOLLOW METAL	3'-0"	7'-0"	1-3/4"	PTD. PT-01 SG	HOLLOW METAL KNOCK-DOWN	2"	PTD. PT-01 SG	9 - 08100	SEE DETAIL FOR DOOR STOP AT 15/A8.1
12	HALL./WOMEN'S RM.	F	HOLLOW METAL	3'-0"	7'-0"	1-3/4"	PTD. PT-01 SG	HOLLOW METAL KNOCK-DOWN	2"	PTD. PT-01 SG	9 - 08100	SEE DETAIL FOR DOOR STOP AT 15/A8.1
13	HALL./WORK RM.	F	HOLLOW METAL	3'-0"	7'-0"	1-3/4"	PTD. PT-01 SG	HOLLOW METAL KNOCK-DOWN	2"	PTD. PT-01 SG	7.1 - 08100	SEE DETAIL FOR DOOR STOP AT 15/A8.1
14	WORK ROOM/ WELLNESS RM.	FL	HOLLOW METAL/LOUVER	3'-0"	7'-0"	1-3/4"	PTD. PT-01 SG	HOLLOW METAL KNOCK-DOWN	2"	PTD. PT-01 SG	10 - 08100	FIXED MET. LOUVER
15	NO SWING	CO	CASED OPENING	5'-0"	7'-0"	-	MFR. PREFIN.	HOLLOW METAL KNOCK-DOWN	2"	PTD. PT-01 SG	- 08100	HM WELDED FRAME W/ NO STOPS (16 GA. FRAME)
16	HALL./PRE-SALES	DA	ELIASON DOOR	(2)3'-0"	8'-0"	1"	MFR. PREFIN.	HOLLOW METAL	2"	PTD. PT-03 SG	12 - 08300	HM WELDED FRAME W/ NO STOPS
**18	PRE-SALES/EXT.	RD	ROLLING DOOR	8'-0"	9'-4"	-	MFR. PREFIN.	SEE DETAILS	-	MFR. STD.	14 - 08300	
-	ROOF HATCH	-	INSUL METAL	2'-6"	3'-0"	STD.	INT:UNPTD. EXT:BLDG COLOR	INTEGRAL	-	INT:UNPTD. EXT:BLDG COLOR	14 - 07720	

- GENERAL DOOR NOTES**
- INTERIOR DOORS SHALL BE FITTED WITH LEVER-TYPE, ACCESSIBLE DOOR HARDWARE THAT DOES NOT REQUIRE TIGHT GRASPING, TIGHT PINCHING, OR TWISTING OF THE WRIST TO OPERATE.
 - INTERIOR EXIT DOORS SHALL BE OPENABLE FROM THE EGRESS SIDE, WITHOUT THE USE OF A KEY OR SPECIAL KNOWLEDGE, WITH UNLATCHING FORCE OF LESS THAN 5 POUNDS.
 - INTERIOR DOORS WITH CLOSERS SHALL BE OPENABLE WITH AN UNLATCHING FORCE OF LESS THAN 5 POUNDS.
 - REFER TO FLOOR PLAN / LARGE SCALE PLANS FOR ALL DOOR "LEFT/RIGHT" HANDING.
 - * EXTERIOR H.M. DOOR & FRAME PAINT COLOR TO MATCH ADJACENT BUILDING COLOR.
 - ** REPLACE/REPAIR EXISTING DOOR HARDWARE AS REQUIRED TO MATCH PETCO PROTOTYPE HARDWARE SET.

REVISED FINISH SCHEDULE, DOOR SCHEDULE AND DOOR AND STOREFRONT TYPES

DOOR / FRAME SCHEDULE		01
REF.:	SOURCE:	1/2"=1'-0"



SBLM
 SBLM Architects #A4003434
 11400 N. Kendall Drive, Suite 310
 Miami, FL 33176
 Telephone 305-412-9187
 Fax 305-412-6731
 www.sblm.com

James Cohen
 Lic. #22580

Petco
 PETCO ANIMAL SUPPLIES STORES, INC. 6834 WESLEY STREET GREENVILLE, TX

DISTRIBUTION:	DATE:
75% SUBMISSION	08-11-11
98% SUBMISSION	08-16-11
100% SUBMISSION	09-23-11
PERMIT SET	09-28-11
FINAL PERMIT SET	09-20-13
BULLETIN 1	10-22-14

DOOR SCHEDULE DOOR TYPES
A3.1