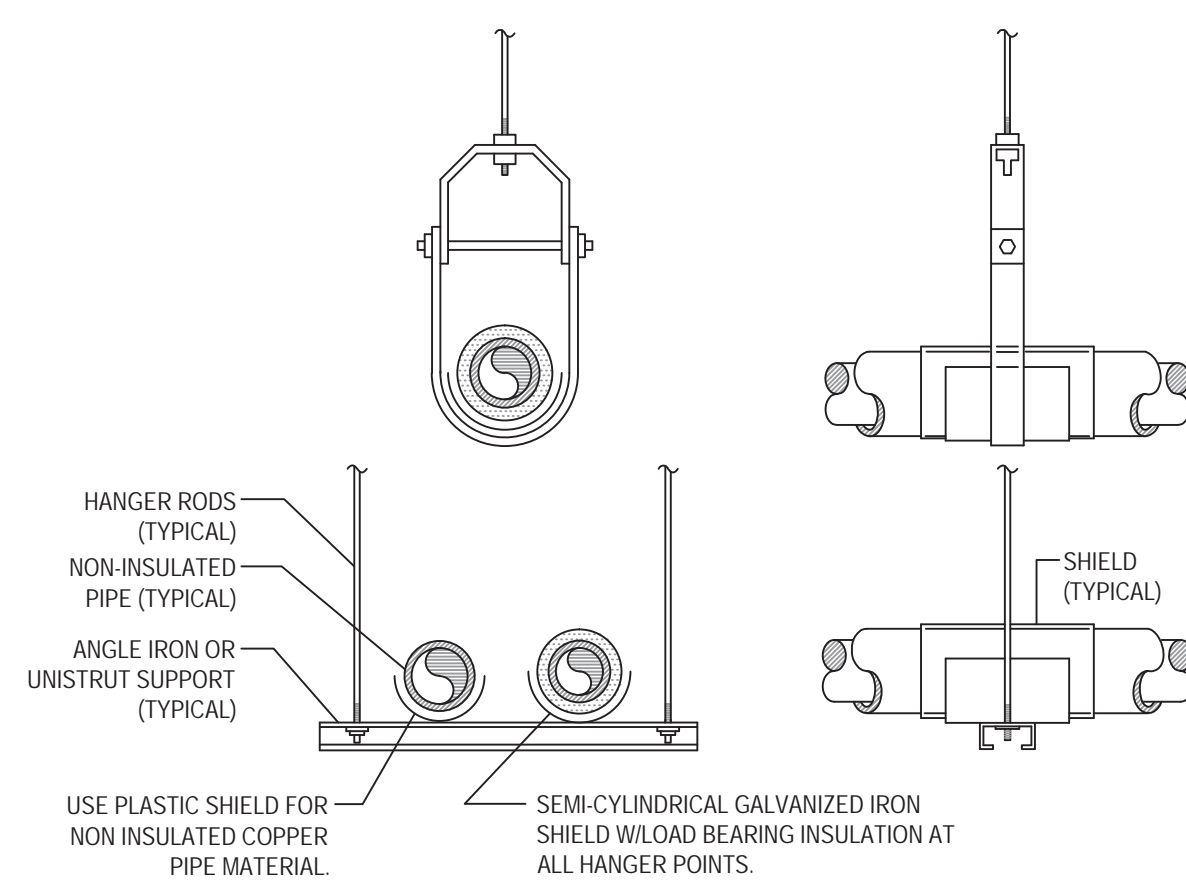


**PLUMBING KEYED NOTES:**

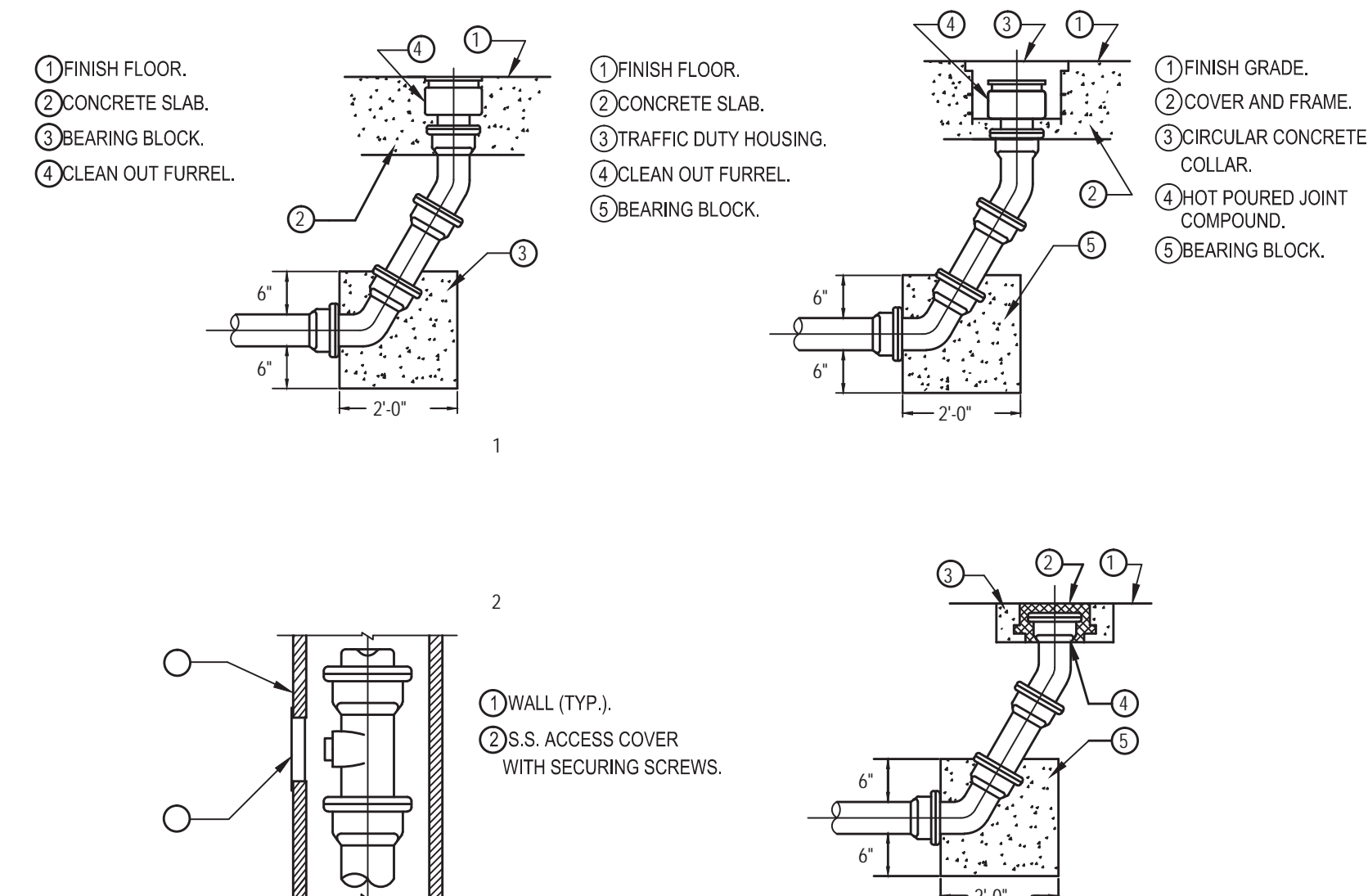
- ① GAS SERVICE FROM UTILITY. FIELD VERIFY EXACT LOCATION.
- ② GAS SERVICE PER UTILITY COMPANY STANDARDS. METER AND PRESSURE REGULATOR BY UTILITY.
- ③ 1 1/2"Ø DOMESTIC WATER LINES UNDER GROUND. REFER TO CIVIL DRAWINGS FOR WATER METER AND BACKFLOW PREVENTER LOCATION AND PIPE ROUTING.
- ④ 4"Ø SANITARY SEWER. REFER TO CIVIL DRAWINGS FOR CONTINUATION.
- ⑤ HEAVY DUTY CLEANOUT. COORDINATE LOCATIONS WITH ARCHITECT.
- ⑥ 1 1/2"Ø WATER PIPES DOWN TO FLOOR SLAB. RUN PIPE TIGHT TO WALL STRUCTURE WITH PIPE SUPPORT (UNISTRUT) 4 FEET APART. (TYPICAL).
- ⑦ RUN WATER LINES ABOVE CEILING STRUCTURE.
- ⑧ PROVIDE SHUT OFF VALVE SERVING FUTURE TENANT AND CAPPED.
- ⑨ 4"Ø UNDERGROUND SEWER LINE. COORDINATE LOCATION WITH GRADE BEAM, FOOTINGS, AND OTHER BUILDING STRUCTURES.
- ⑩ BUILDING DRAIN SHALL BE TERMINATED WITH AIR GAP TO 6"Ø PVC STORM DRAIN. ROUTE STORM DRAIN UNDERGROUND. REFER TO CIVIL DRAWING FOR CONTINUATION.

**1 PLUMBING FLOOR PLAN**  
1/8" = 1'-0"

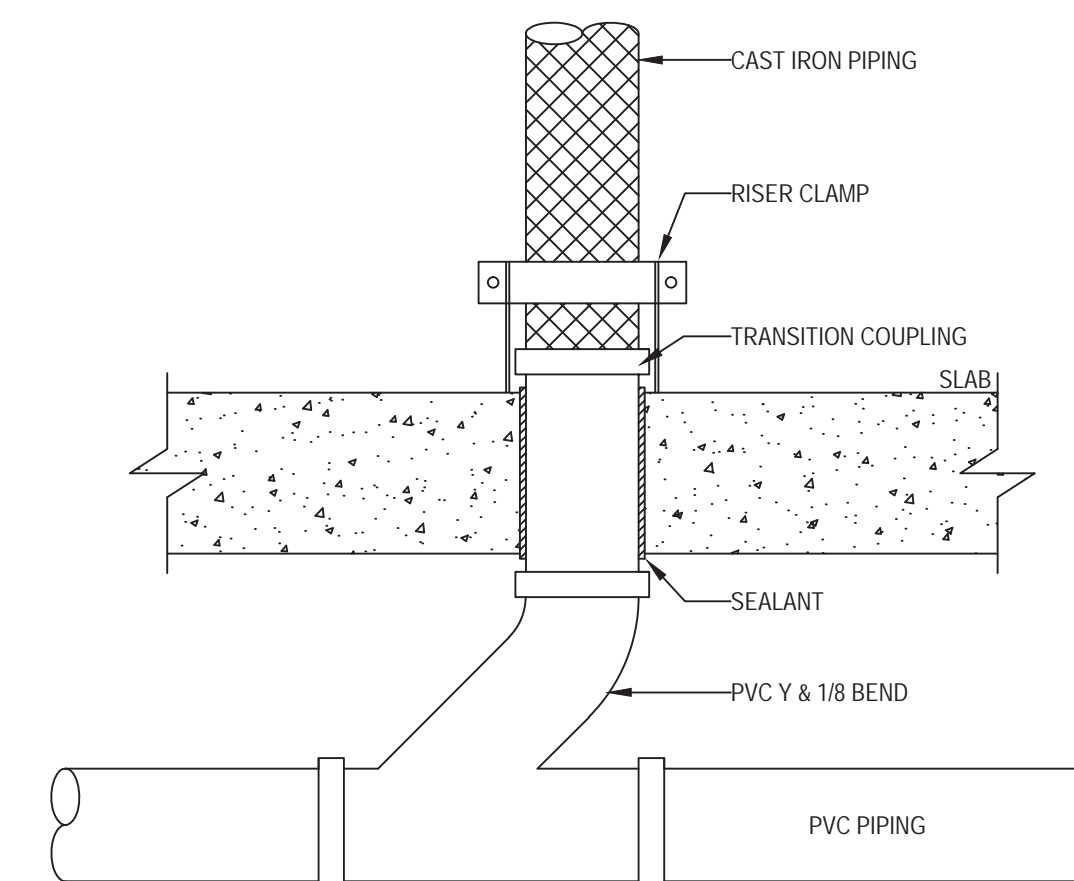


**NOTE:**  
CONTRACTOR SHALL ENSURE ALL NEW HANGERS AND ROUTING MATCH EXISTING LOCATIONS. WHERE ADDITIONAL HANGERS, OR SUPPORTS, ARE REQUIRED, NOTIFY ARCHITECT/ENGINEER. PRIOR TO INSTALLATION, NEW HANGER & SUPPORT LOCATIONS REQUIRING ATTACHMENT TO STRUCTURE SHALL REQUIRE A STRUCTURAL ENGINEER'S REVIEW AND APPROVAL, PRIOR TO INSTALLATION.

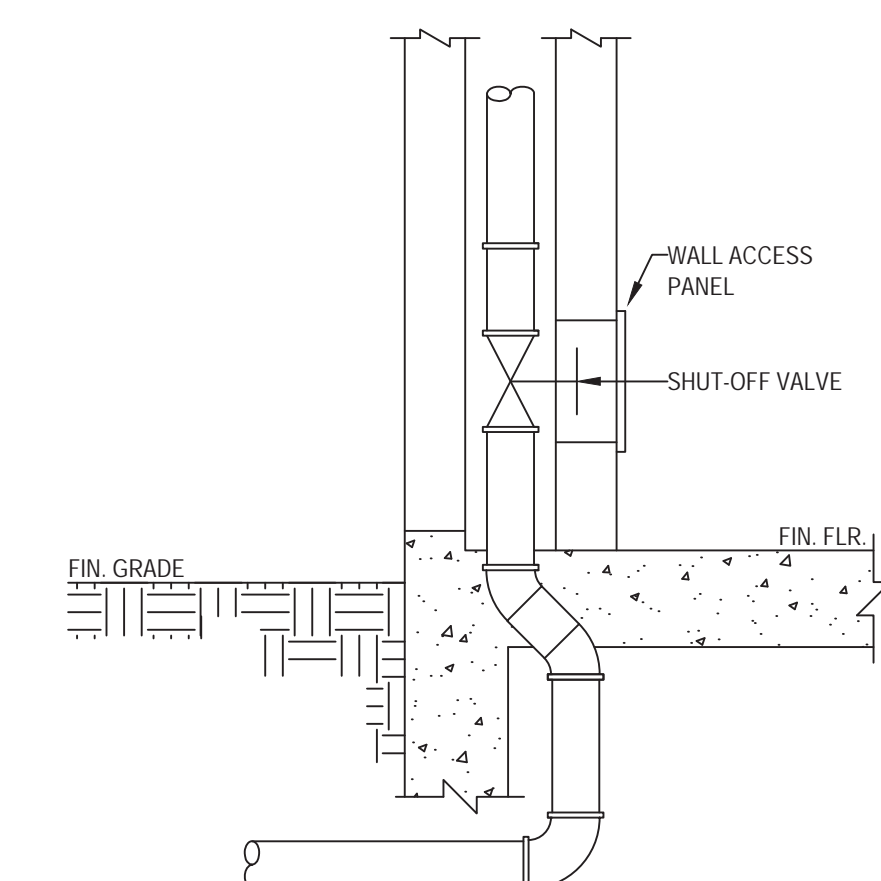
**2 PIPE HANGER DETAIL**  
NTS



**3 FLOOR CLEANOUT DETAIL**  
NTS



**4 CAST IRON TO PVC PIPING BELOW SLAB**  
NTS



**5 COLD WATER BUILDING ENTRY**  
NTS

**WINDLE + VOLPE**  
ARCHITECTS  
7600 38TH STREET  
HOUSTON, TEXAS 77063  
PH: 713.255.1390

**CAL**  
REGISTERED ENGINEERS  
19700 RICHMOND AVE., SUITE 148  
HOUSTON, TX 77042  
TEL: (713) 784-0334 • FAX: (713) 784-8399  
TEXAS ID # F-5348

**BASSAM G. JABORI**  
REGISTERED PROFESSIONAL ENGINEER  
88863  
2/6/15

**PAD BUILDING AT THE CROSSROADS MALL**  
GREENVILLE, TEXAS  
**GREENVILLE PROPERTIES LTD.**  
GREENVILLE, TEXAS

DATE: 2/6/15  
PROJECT NO.: 08-14-05  
DRAWN BY: R.F.V.  
R.F.V.

PLUMBING FLOOR PLAN  
**P1.1**