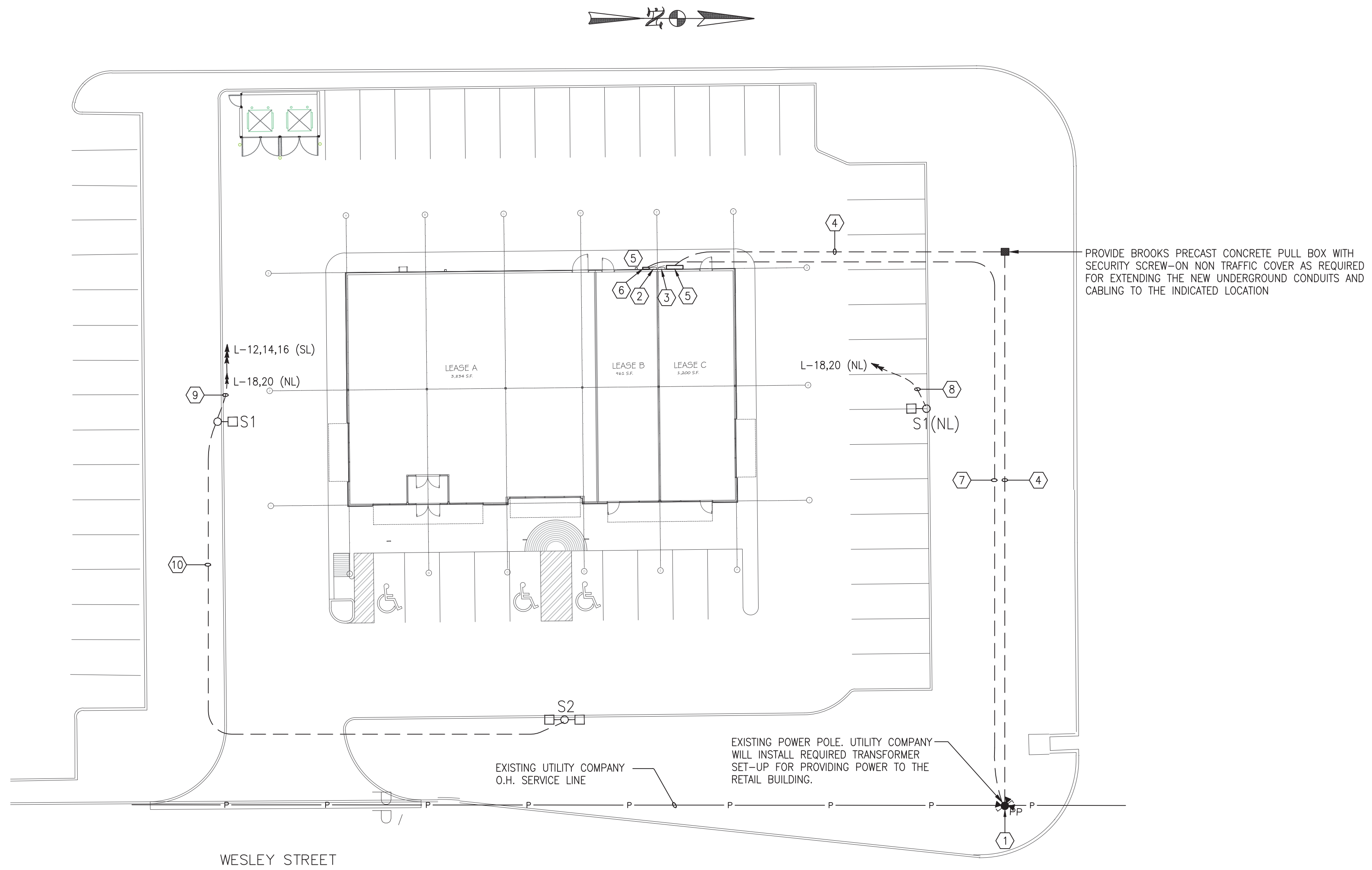


KEYED ELECTRICAL NOTES.- (THIS SHEET)

- 1 EXISTING POWER POLE. UTILITY COMPANY WILL INSTALL REQUIRED TRANSFORMER SET-UP FOR PROVIDING POWER TO THE RETAIL BUILDING.
- 2 HOUSE PANEL "L"
- 3 LIGHTING CONTROL CABINET
- 4 4-4" CONDUITS, 3-4"C-4#500KCMILL(THWN)(EACH) & 1-4"CONDUIT SPARE, PROVIDE CONDUITS WITH LONG SWEEPING 90 DEGREE ELBOWS AND PULL BOXES AS REQUIRED IN ACCORDANCE WITH UTILITY REQUIREMENTS, PROVIDE SPARE CONDUIT WITH PULL WIRE AND CAP AT BOTH ENDS. REFER TO DETAIL 2/E2.1 RISER DIAGRAM FOR ADDITIONAL INFORMATION
- 5 REFER TO SHEET E2.1 FOR LOCATION OF ELECTRICAL SERVICE AND HOUSE PANEL
- 6 TELEPHONE SERVICE CABINET. REFER TO E2.1 FOR LOCATION
- 7 2-4" CONDUITS WITH LONG SWEEPING 90 DEGREE ELBOWS AND PULL WIRE FOR TELEPHONE SERVICE PER LOCAL TELEPHONE COMPANY SPECIFICATIONS. PROVIDE PULL BOXES AS REQUIRED IN ACCORDANCE WITH UTILITY REQUIREMENTS. COORDINATE EXACT DEMARCATION LOCATION WITH UTILITY COMPANY.
- 8 1"C-2#10(NL) & 1#10(G) USE TYPE "THWN" WIRE
- 9 1"C-3#10, 2#10(NL) & 1#10(G) USE TYPE "THWN" WIRE
- 10 1"C-2#10, 2#10(NL) & 1#10(G) USE TYPE "THWN" WIRE



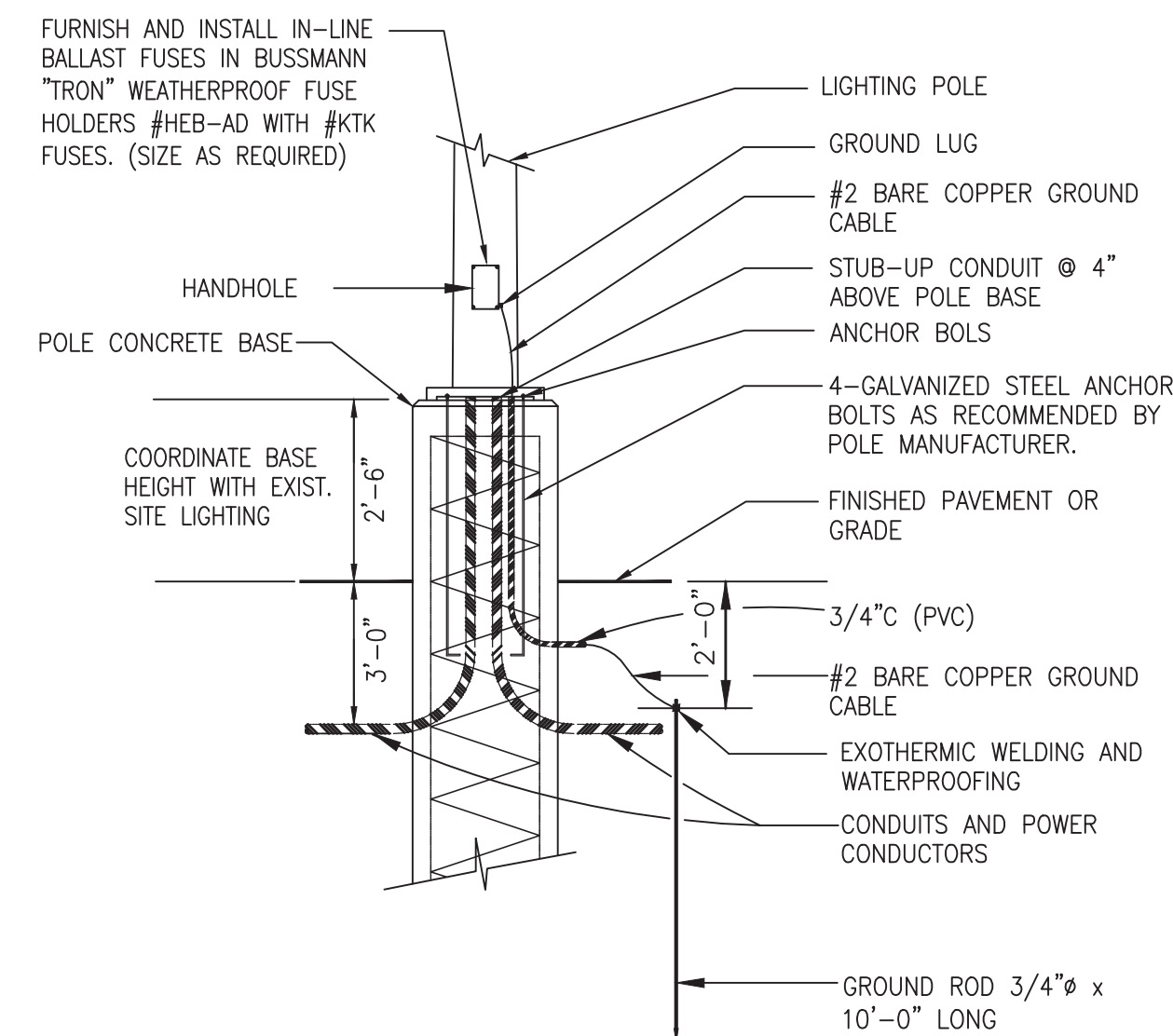
PROVIDE BROOKS PRECAST CONCRETE PULL BOX WITH SECURITY SCREW-ON NON TRAFFIC COVER AS REQUIRED FOR EXTENDING THE NEW UNDERGROUND CONDUITS AND CABLING TO THE INDICATED LOCATION

EXISTING POWER POLE. UTILITY COMPANY WILL INSTALL REQUIRED TRANSFORMER SET-UP FOR PROVIDING POWER TO THE RETAIL BUILDING.

EXISTING UTILITY COMPANY O.H. SERVICE LINE

SITE PLAN.- LIGHTING

SCALE: 1/16" = 1'-0"



NOTE:
REFER TO ARCHITECTURAL/STRUCTURAL DRAWINGS FOR CONCRETE WORK.

2 ELECTRICAL REQUIREMENTS AT POLE BASE
NOT TO SCALE

FIXT TYPE	MANUFACTURER	NUMBER OF FIXTURES PER POLE	LAMPS		VOLTS	POLE MODEL No. / REMARKS
			NO.	TYPE		
S1 □-○	LITHONIA KVS3-1000M-R5-XX-RP12-LP1-HS	1	1	1000M HID	208	CAT. No. RTS-501-AB-XX-01 COLOR TO BE SELECTED BY ARCHITECT
S1(NL) □-○	SAME AS ABOVE EXCEPT THAT ALL SHADED LUMINAIRES INDICATE CONNECTED TO STAY "ON" ALL NIGHT CIRCUIT	1	1	1000M HID	208	CAT. No. RTS-501-AB-XX-01 COLOR TO BE SELECTED BY ARCHITECT
S2 □-□	LITHONIA KVS3-1000M-R5-XX-RP12-LP1-HS	2	1	1000M HID	208	CAT. No. RTS-501-AB-XX-01 COLOR TO BE SELECTED BY ARCHITECT

WINDLE + VOLPE
ARCHITECTS
7600 38TH STREET
HOUSTON, TEXAS 77063
PH 713.955.1390

CAI
REGISTERED ENGINEERS
10700 RICHMOND AVE., SUITE 143
HOUSTON, TX 77042
TEL: 713.786.4334 FAX: 713.786.4339
TEXAS ID # F-5348

BASSAM G. JABORI
89863
3/1/15

**PAD BUILDING AT THE
CROSSROADS MALL
GREENVILLE, TEXAS**
GREENVILLE PROPERTIES LTD.
GREENVILLE, TEXAS

DATE: 2/6/15
PROJECT NO.: 08-14-05
DRAWN BY: R.F.V.

ELECTRICAL
SITE LIGHTING

E1.1