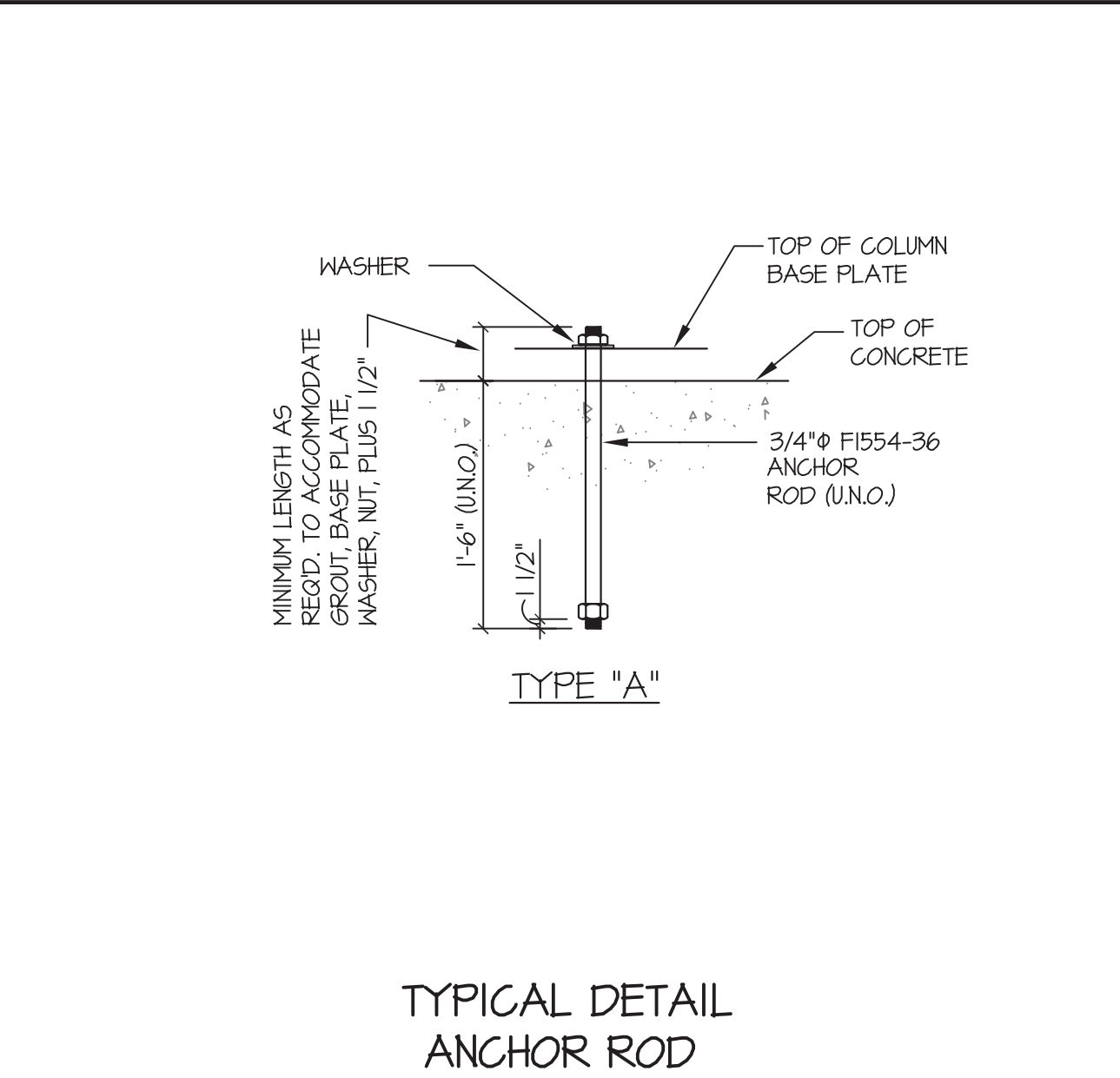


TYPICAL DETAIL
OPENING THRU GRADE BEAM
THAT CONFLICTS WITH BOTTOM REINF.

NO SCALE 20



TYPICAL DETAIL
ANCHOR ROD

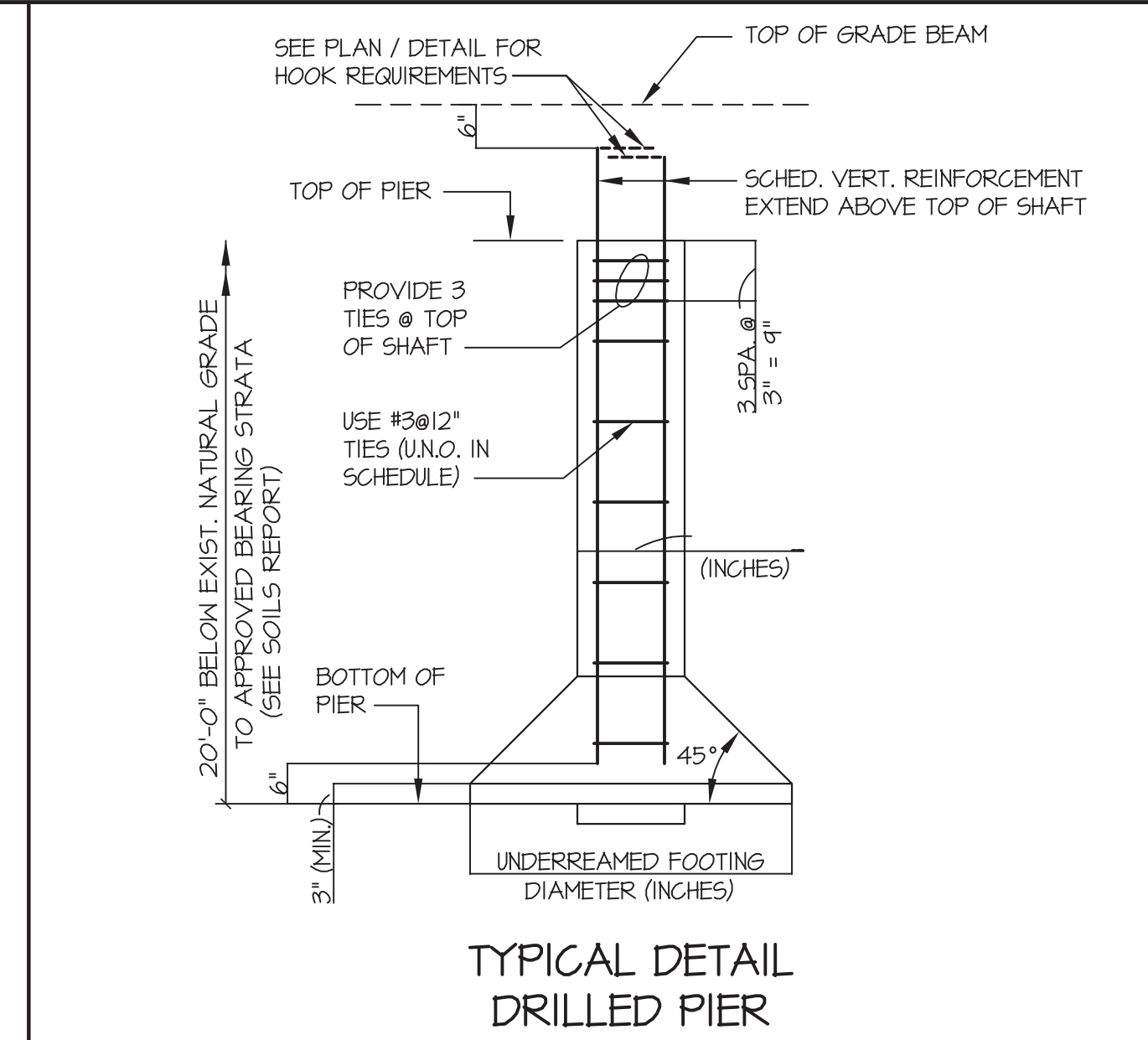
SCALE: 3/4" = 1'-0" 16

DRILLED PIER VERTICAL REINFORCEMENT SCHEDULE

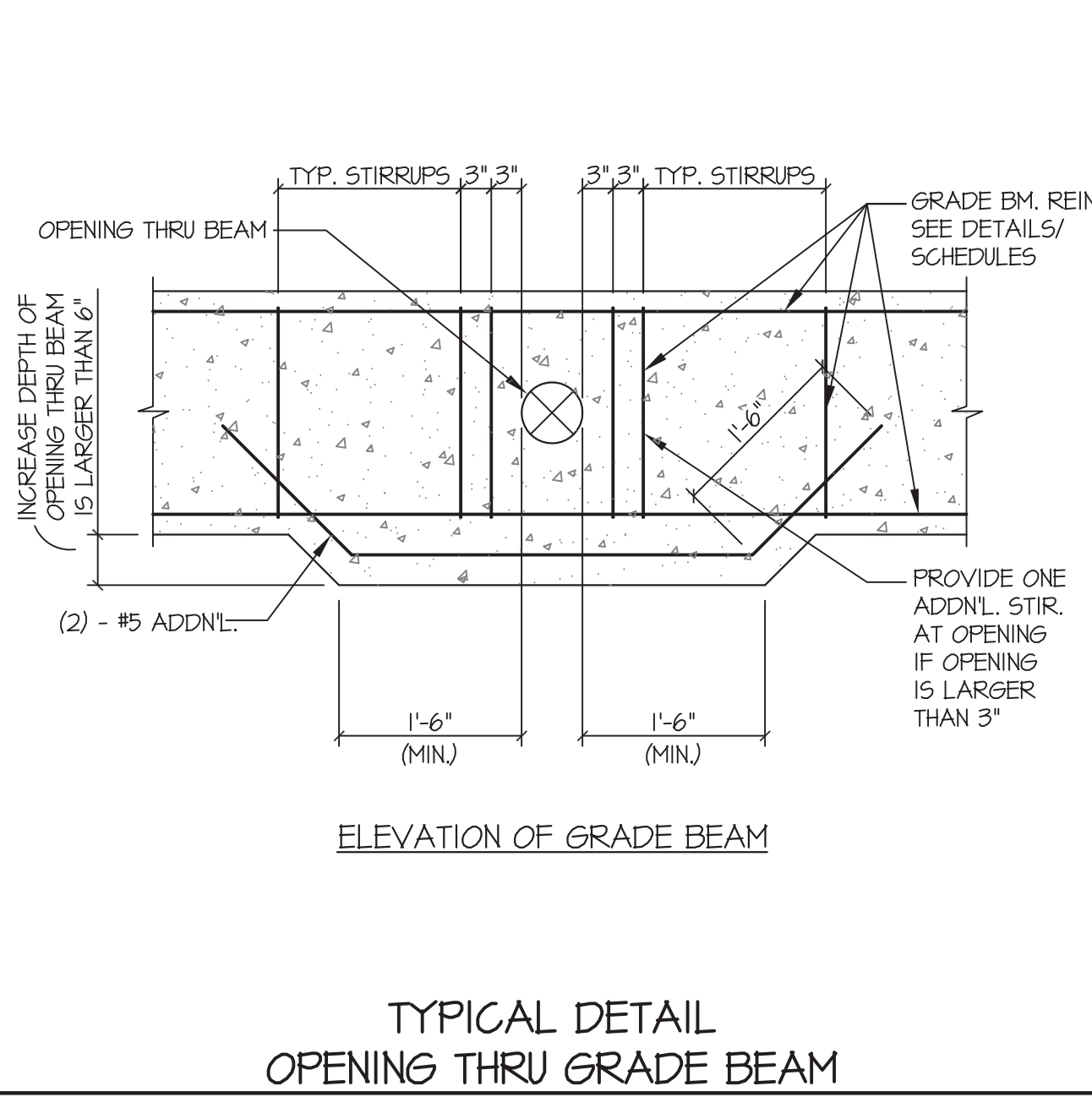
SHAFT DIAMETER (INCHES)	VERTICAL REINFORCEMENT	TIES (USE #3 @ 12" U.N.O.)
12	3 - #5	
14, 16	4 - #5	
18, 20	4 - #6	
22, 24, 26	5 - #7	
28, 30	5 - #8	
36	5 - #9	
42	7 - #4	
48	7 - #10	
54	4 - #10	
60	4 - #11	#4 @ 12"
66	11 - #11	#4 @ 12"
72	13 - #11	#4 @ 12"

SHAFT BAR PLACEMENT PLANS

NO SCALE 8

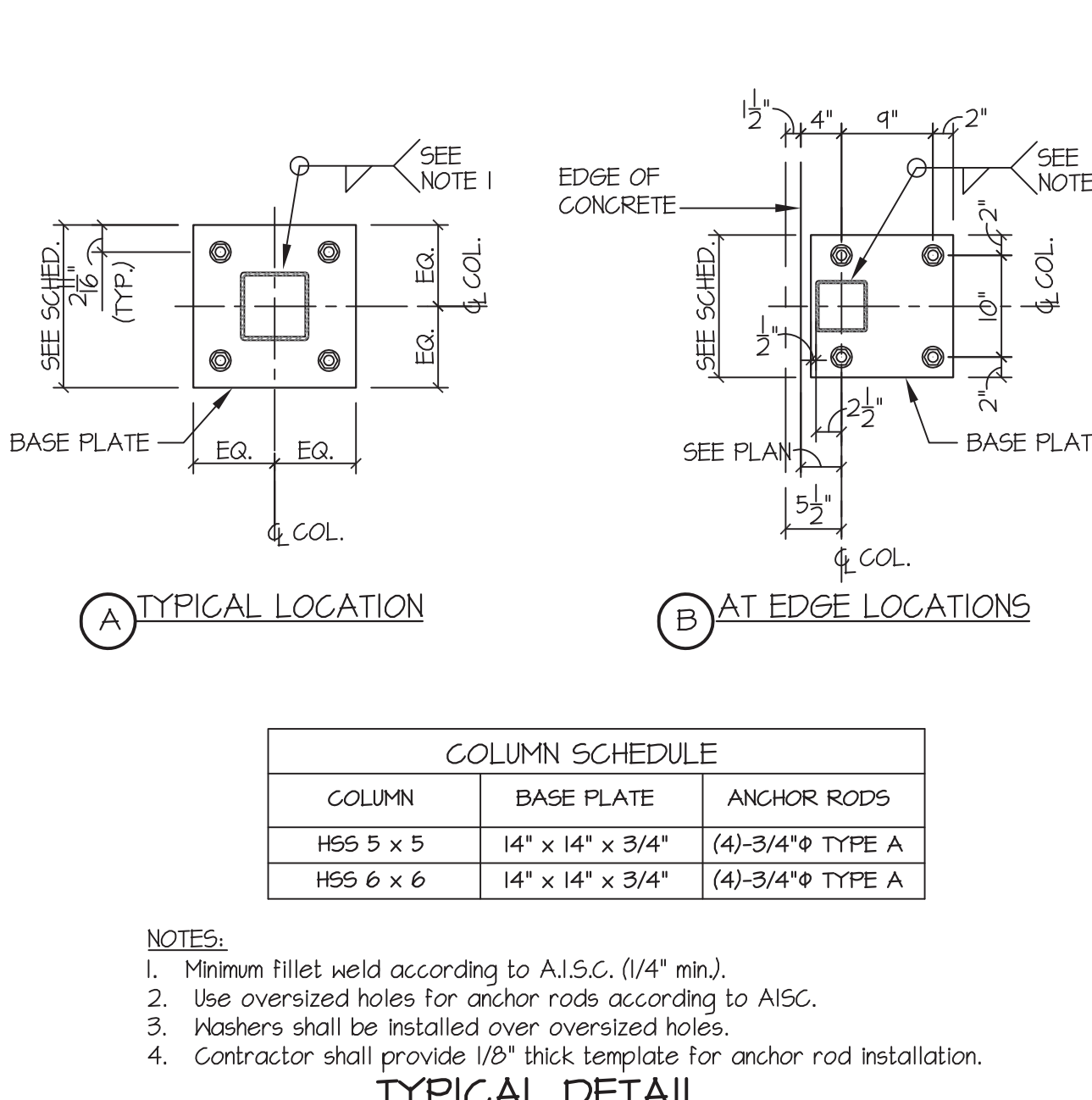


SCALE: 3/4" = 1'-0" 4



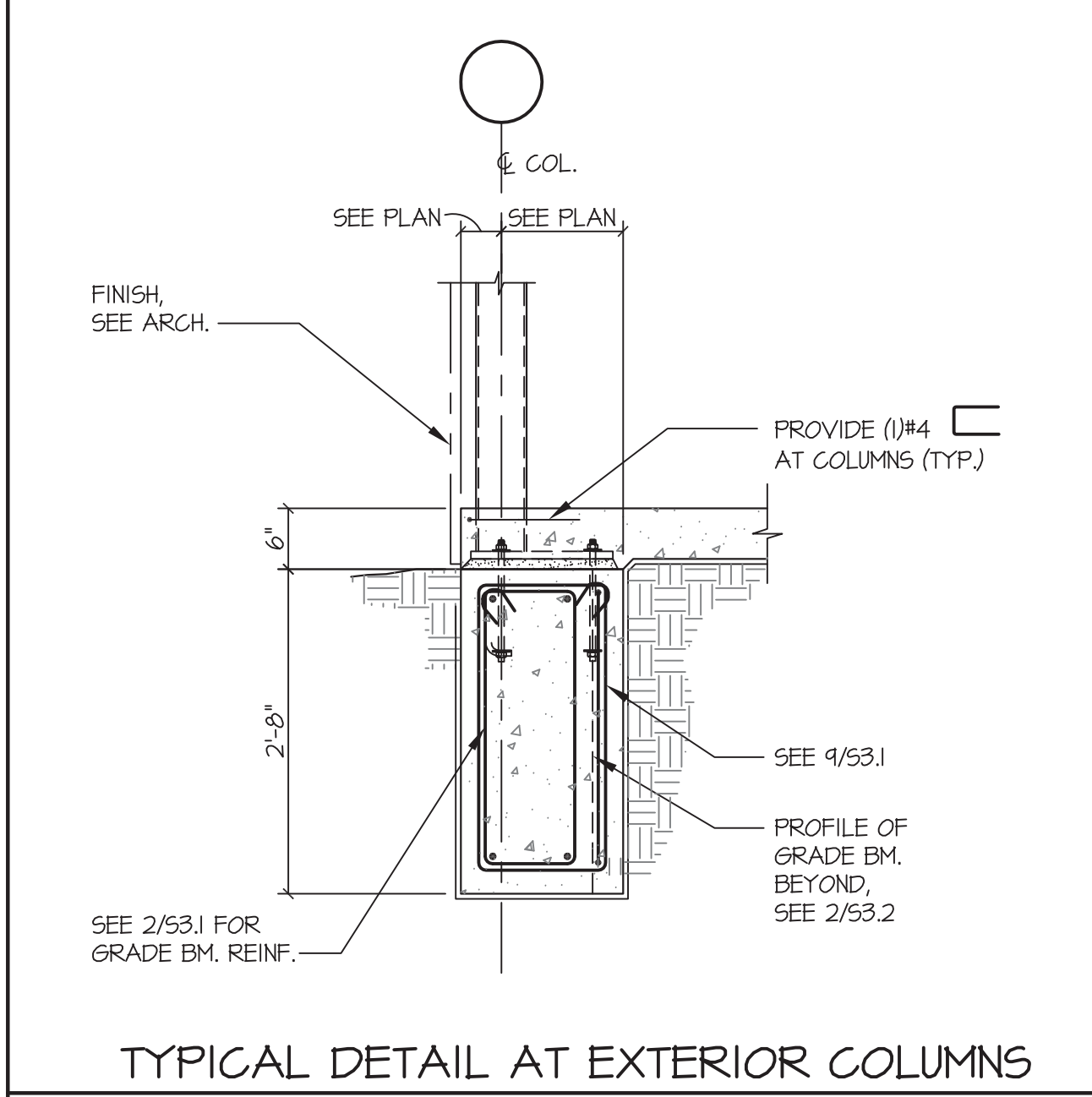
TYPICAL DETAIL
OPENING THRU GRADE BEAM

SCALE: 3/4" = 1'-0" 19



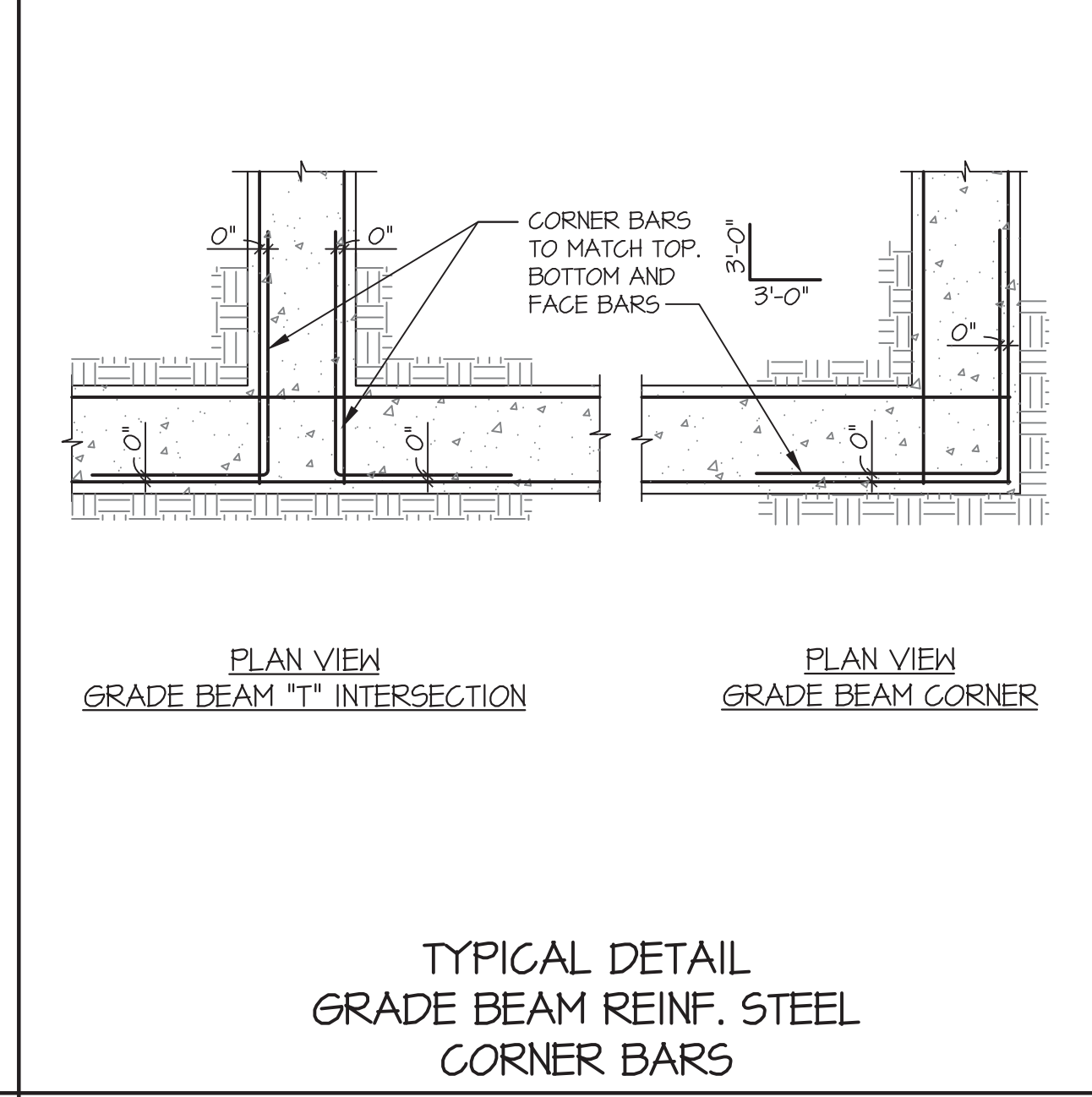
TYPICAL DETAIL
BASE PLATE AT HSS COLUMNS

SCALE: 3/4" = 1'-0" 15



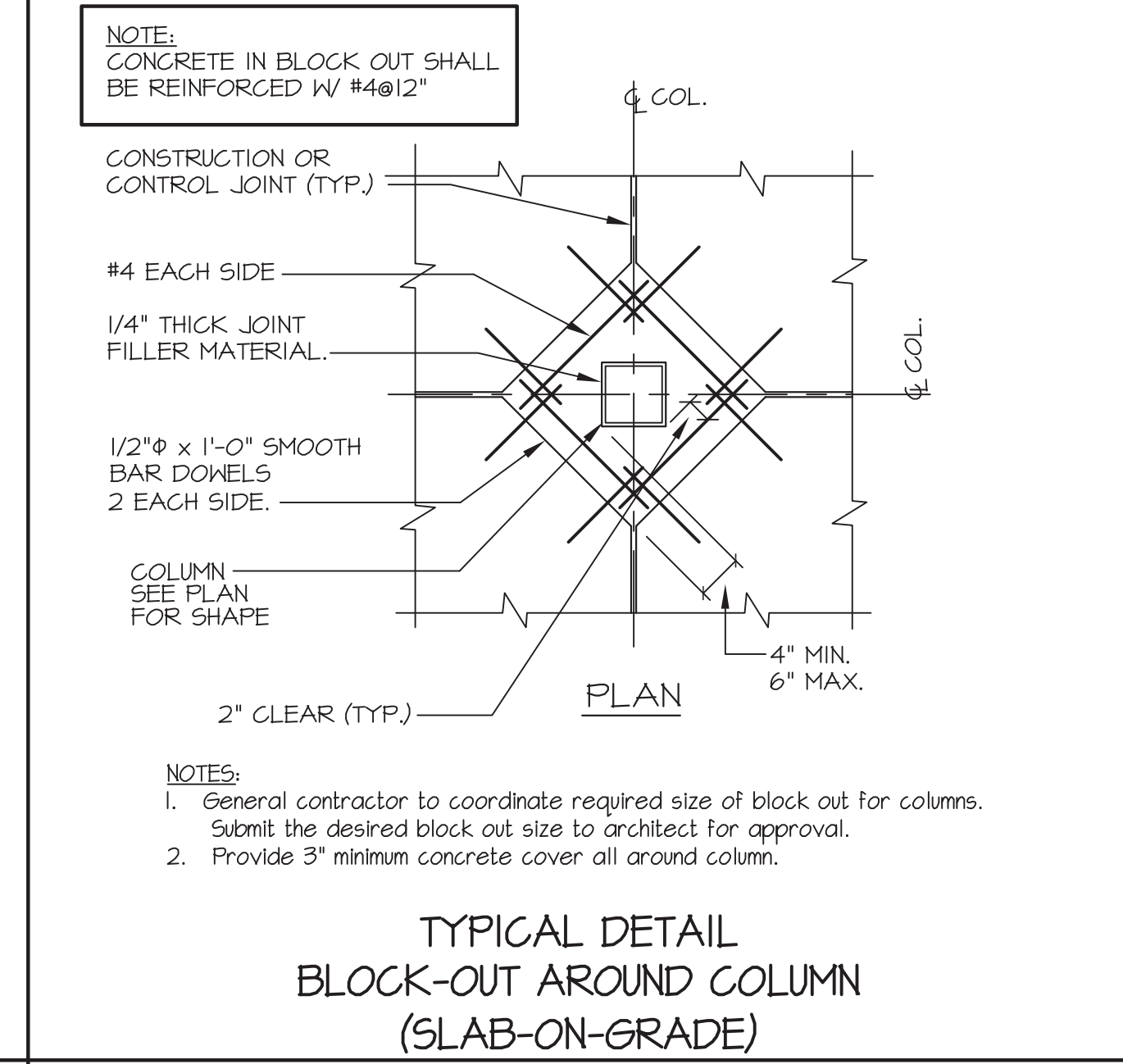
TYPICAL DETAIL AT EXTERIOR COLUMNS

SCALE: 3/4" = 1'-0" 11



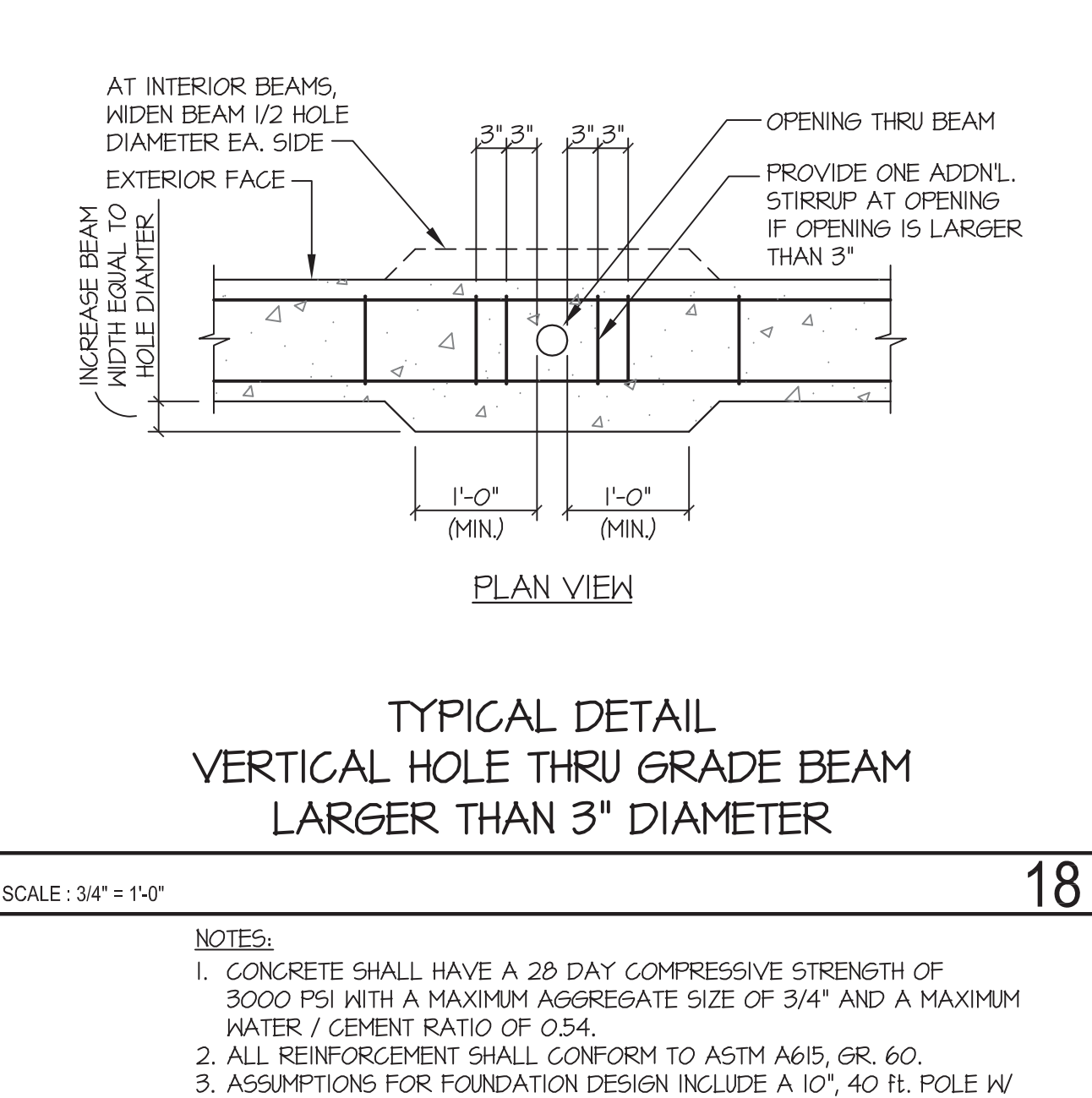
TYPICAL DETAIL
GRADE BEAM REINF. STEEL
CORNER BARS

SCALE: 3/4" = 1'-0" 7



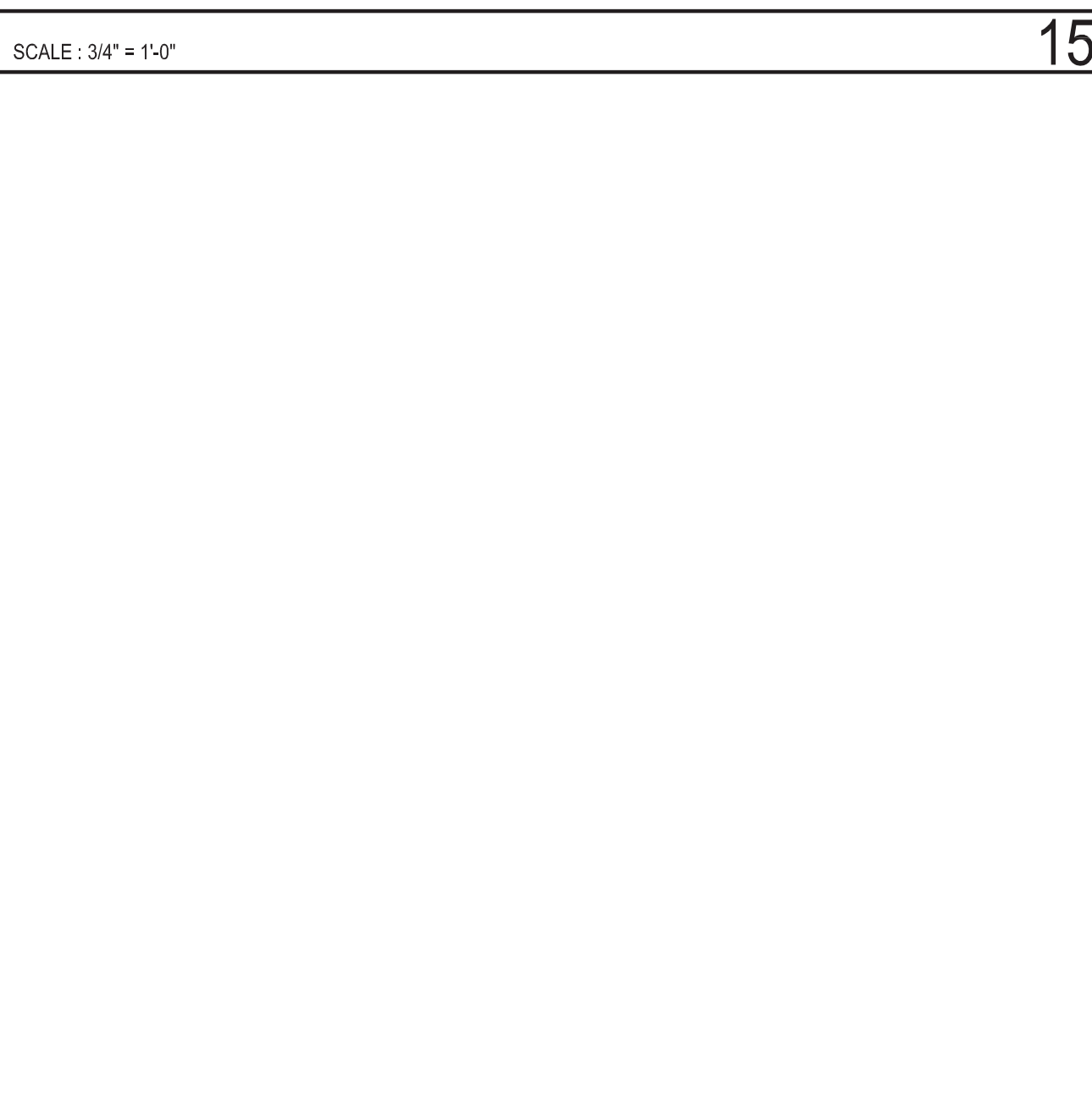
TYPICAL DETAIL
BLOCK-OUT AROUND COLUMN
(SLAB-ON-GRADE)

SCALE: 3/4" = 1'-0" 3



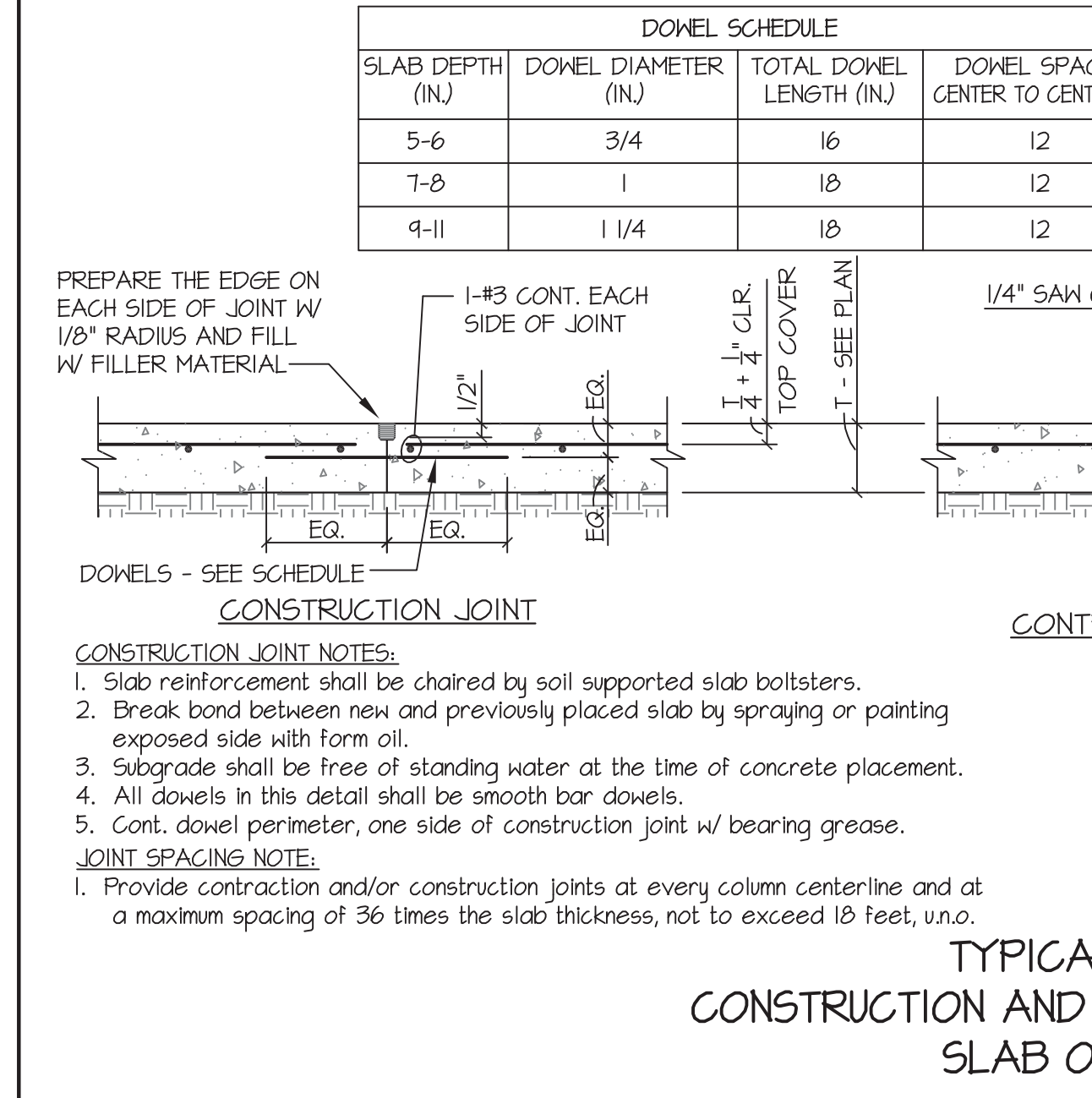
TYPICAL DETAIL
VERTICAL HOLE THRU GRADE BEAM
LARGER THAN 3" DIAMETER

SCALE: 3/4" = 1'-0" 18



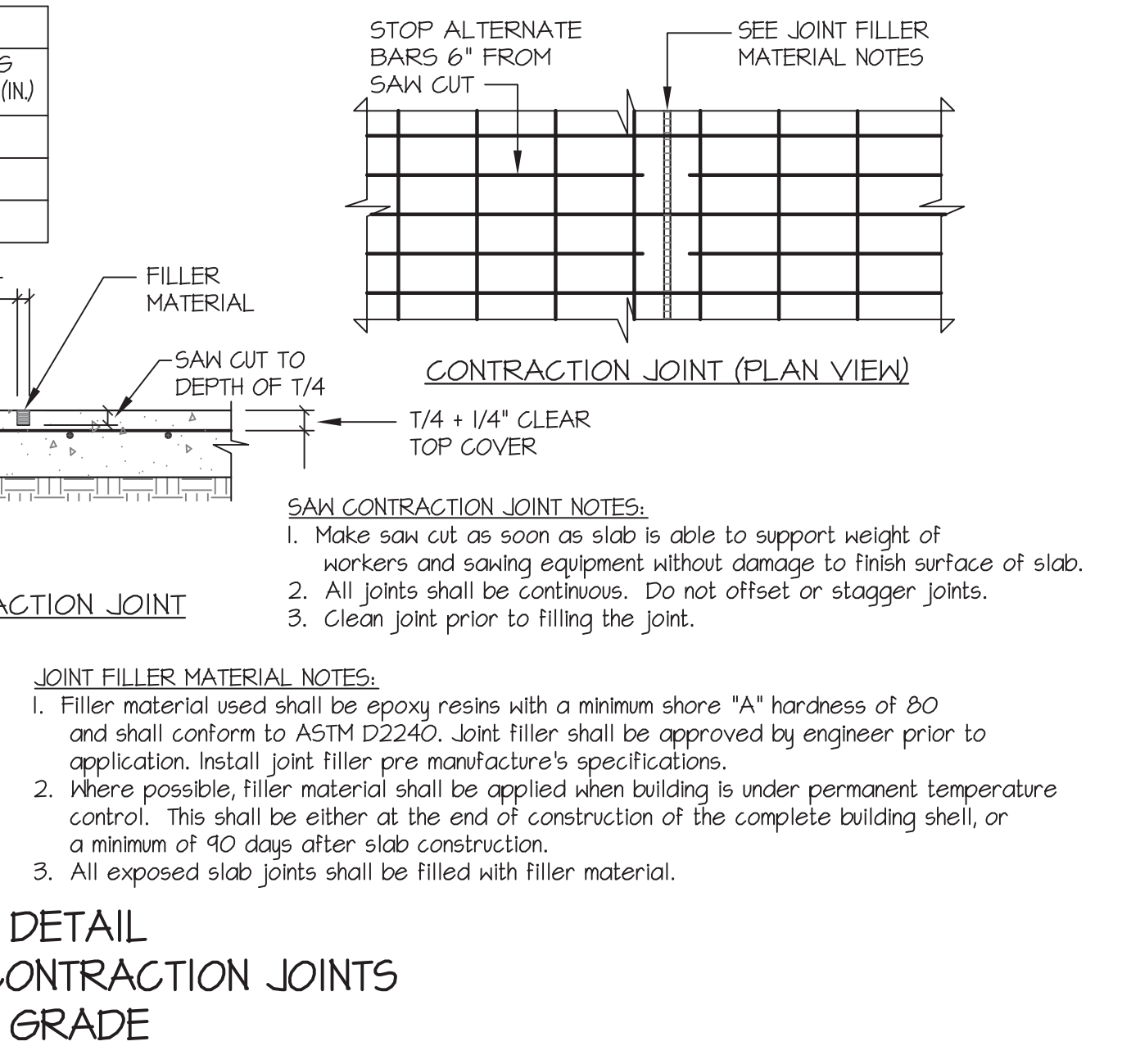
TYPICAL DETAIL
INTERIOR COLUMN WITH PIER CAP

SCALE: 3/4" = 1'-0" 14



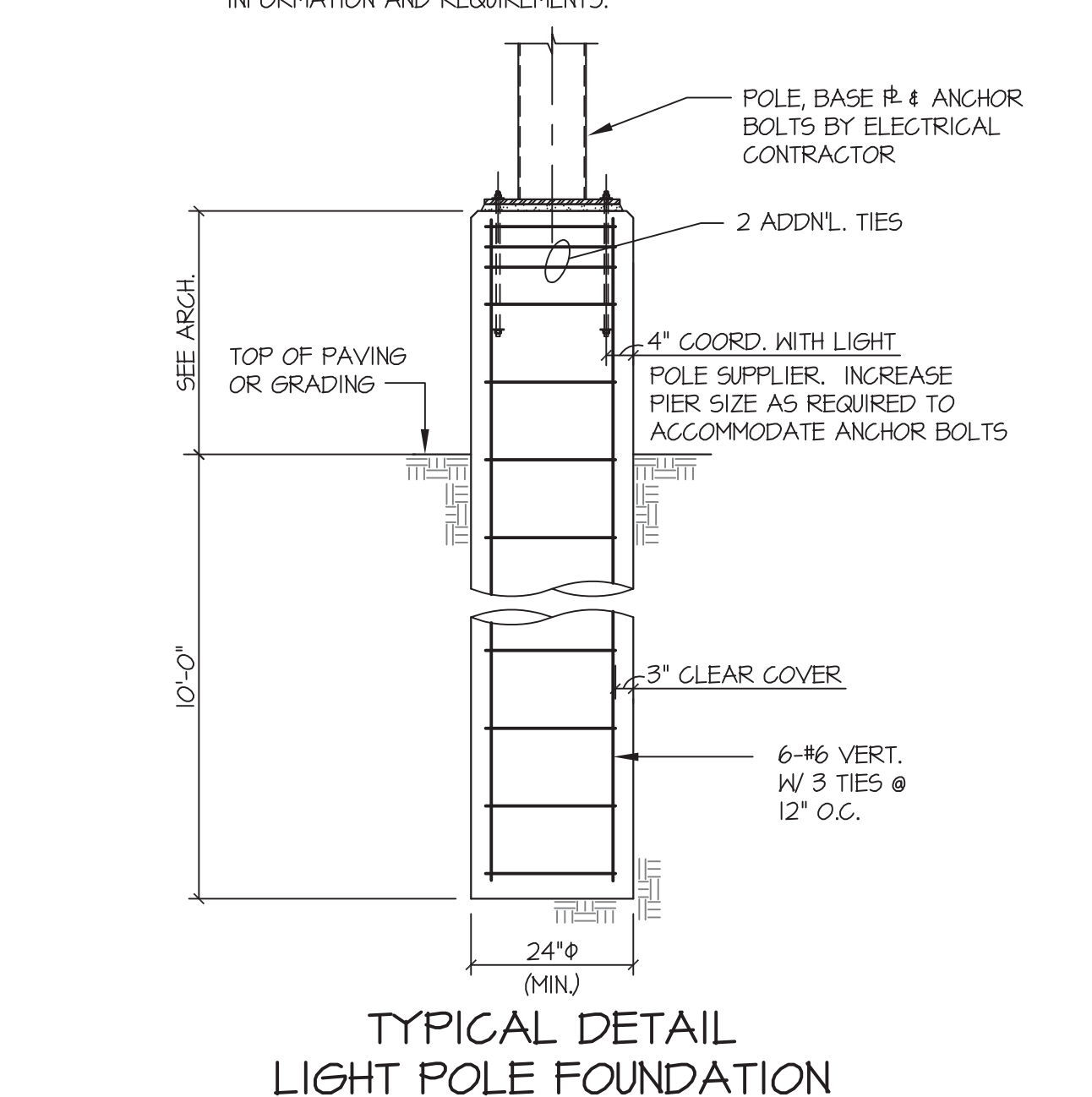
TYPICAL DETAIL
CONSTRUCTION AND CONTRACTION JOINTS
SLAB ON GRADE

NO SCALE 10



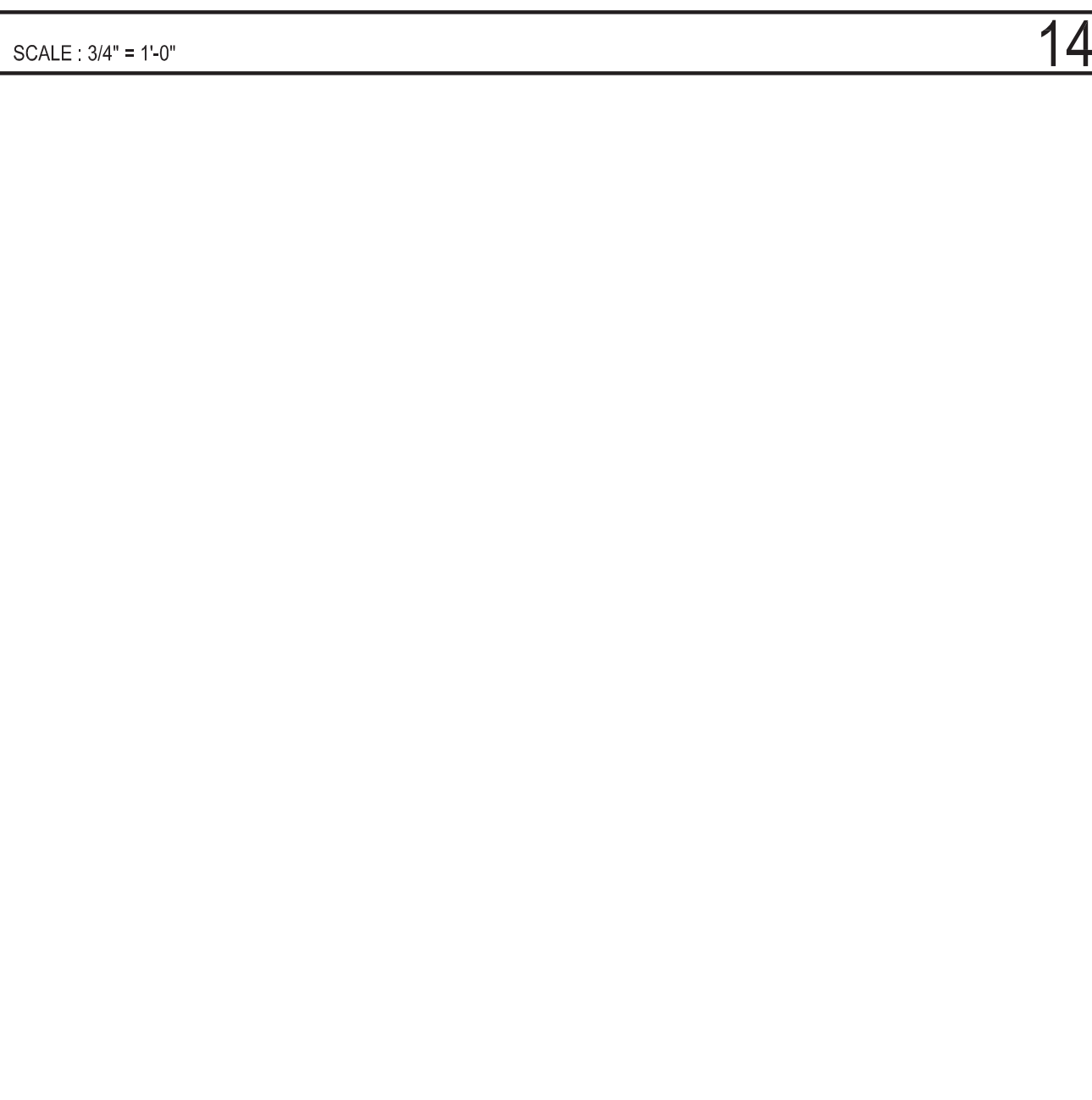
TYPICAL DETAIL
SLAB-ON-GRADE CONSTRUCTION
SUBGRADE PREPARATION

SCALE: 3/4" = 1'-0" 1



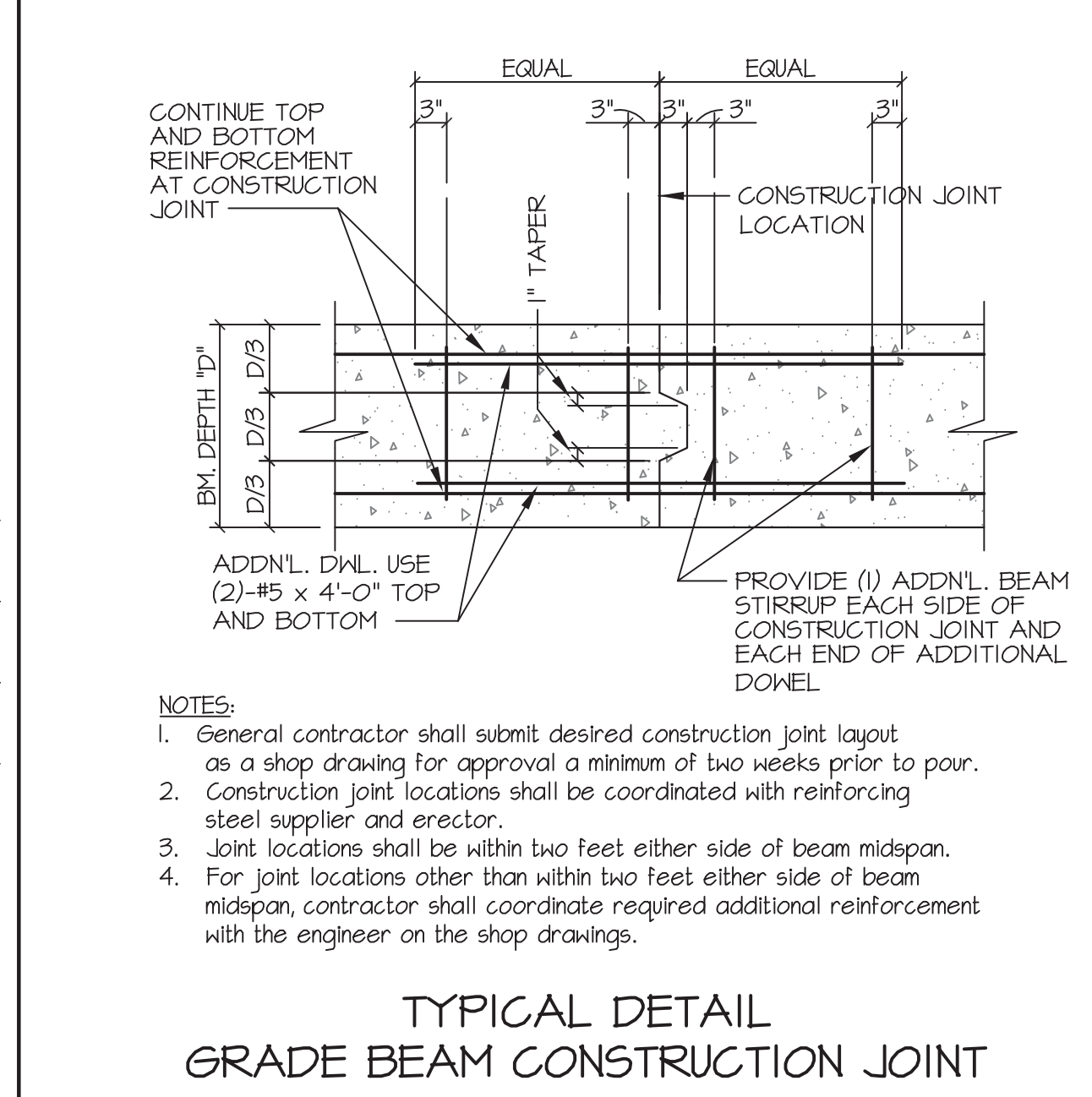
TYPICAL DETAIL
LIGHT POLE FOUNDATION

SCALE: 3/4" = 1'-0" 17



TYPICAL DETAIL
ADDITIONAL BARS AT
WIDENED GRADE BEAM (PLAN VIEW)

SCALE: 3/4" = 1'-0" 13



TYPICAL DETAIL
GRADE BEAM CONSTRUCTION JOINT

SCALE: 3/4" = 1'-0" 5

PROGRESS 02-09-2015
PERMIT 02-12-2015

WINDLE + VOLPE
ARCHITECTS

16000 001 001P
HOUSTON, TEXAS 77065
PH 713-955-1390

Make Structural Engineer
TBE Firm Registration No. F-2640

**PAD BUILDING AT THE
CROSSROADS MALL
GREENVILLE, TEXAS**

GREENVILLE PROPERTIES LTD.
GREENVILLE, TEXAS

DATE	1/26/15	BY
PROJECT NO.	05-14-05	BN
DRAWN BY		

**FOUNDATION
DETAILS**

S3.1