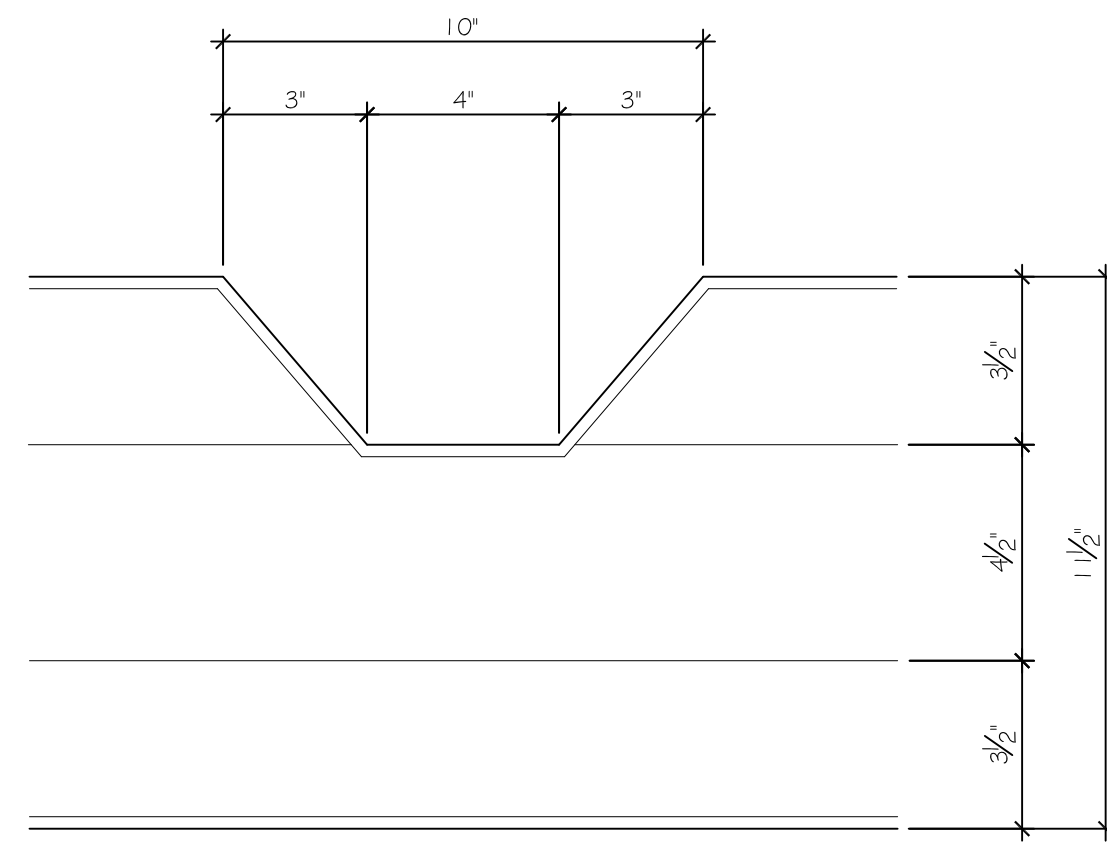
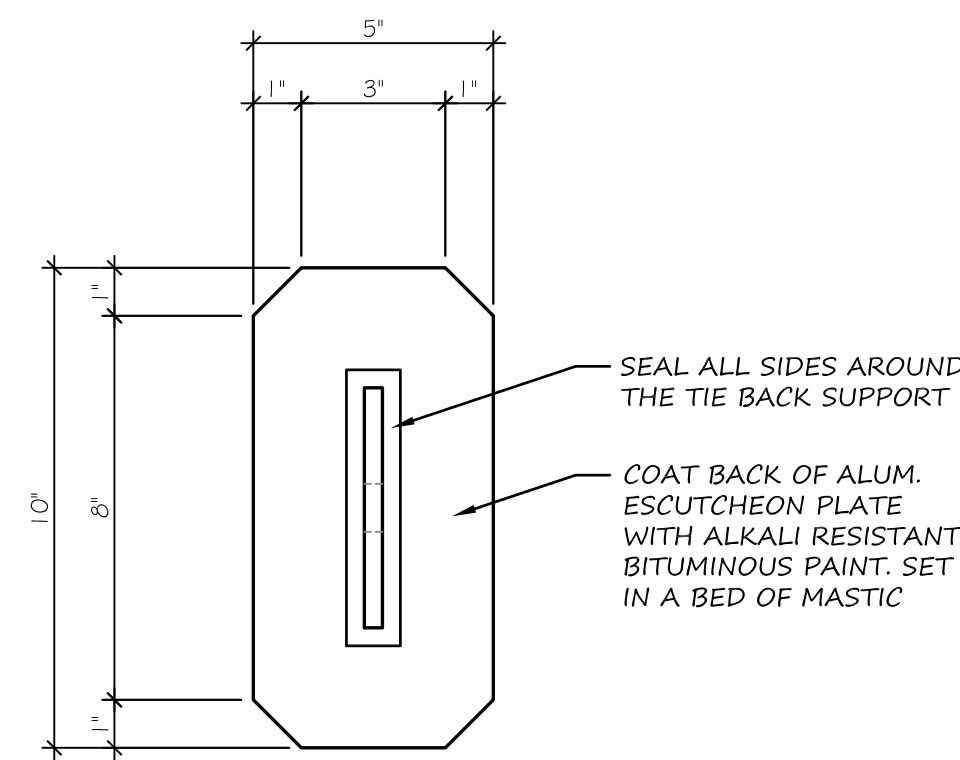


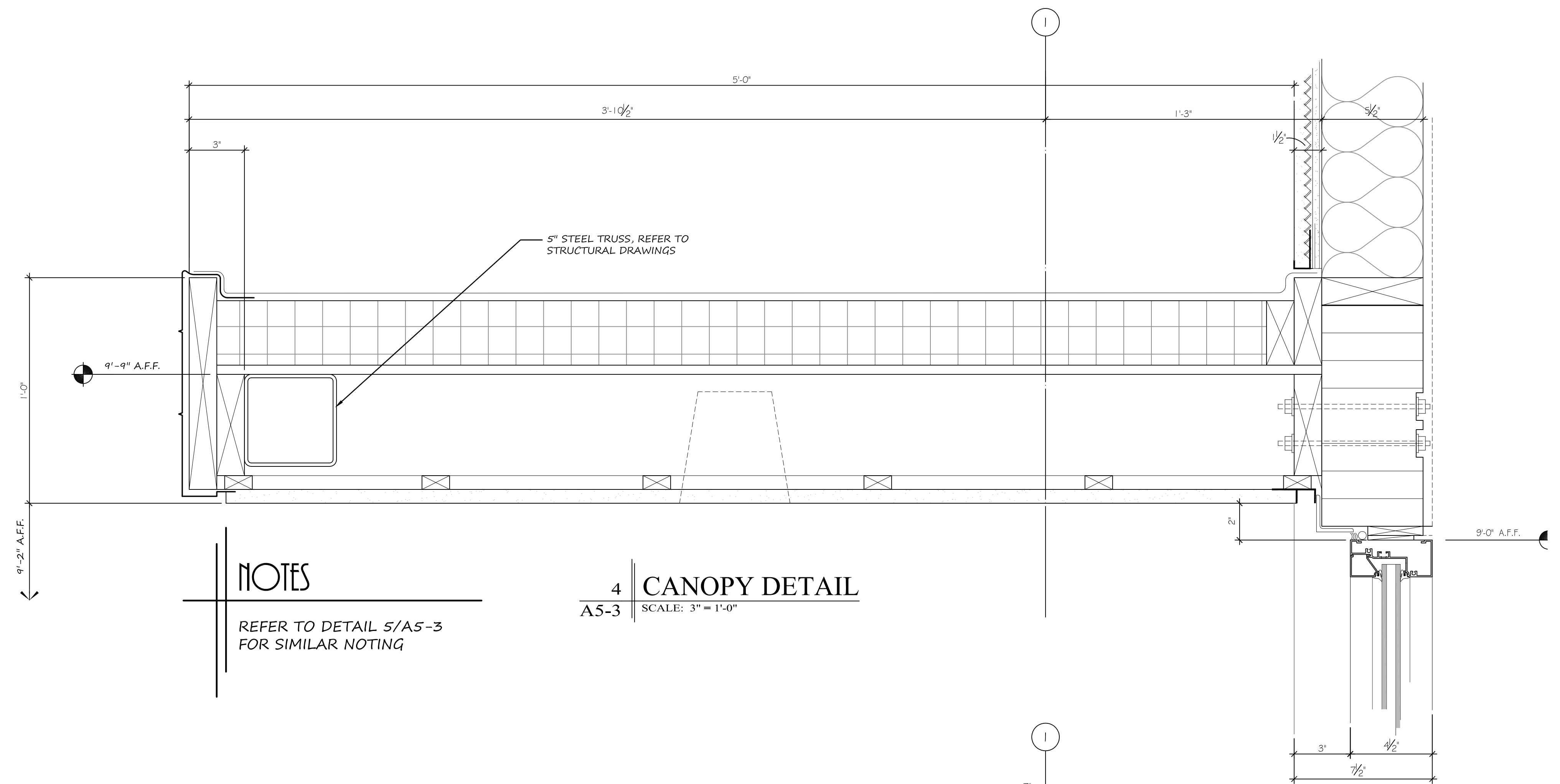
1 DISCHARGE DETAIL
A5-3 SCALE: 3" = 1'-0"



3 FRONT VIEW DISCHARGE DETAIL
A5-3 SCALE: 3" = 1'-0"



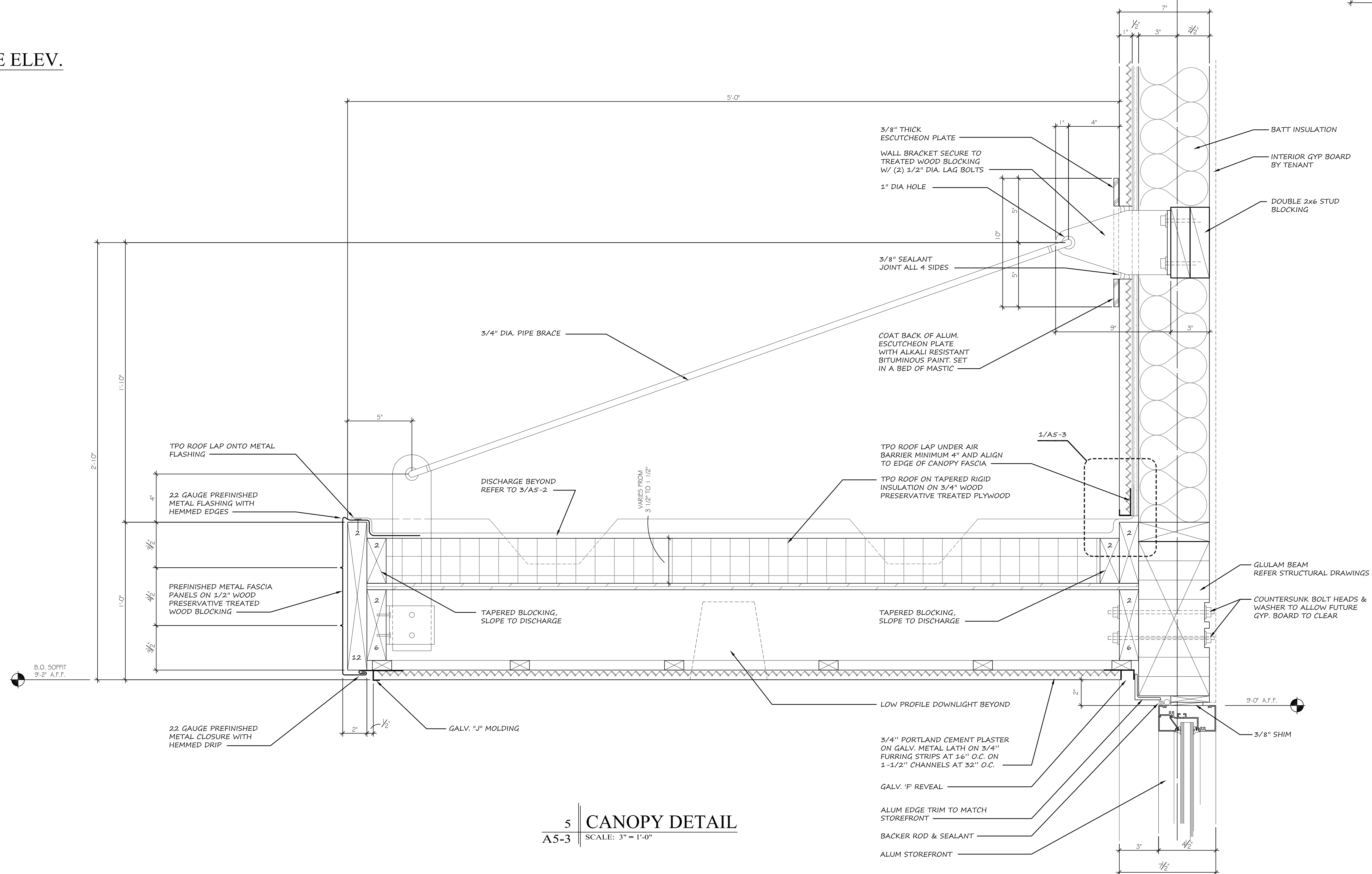
2 ESCUTCHEON PLATE ELEV.
A5-3 SCALE: 3" = 1'-0"



4 CANOPY DETAIL
A5-3 SCALE: 3" = 1'-0"

NOTES

REFER TO DETAIL 5/A5-3 FOR SIMILAR NOTING



5 CANOPY DETAIL
A5-3 SCALE: 3" = 1'-0"

WINDLE + VOLPE
ARCHITECTS
7600 9TH STREET
HOUSTON, TEXAS 77065
PH 713-955-1390



PAD BUILDING AT THE
CROSSROADS MALL
GREENVILLE, TEXAS
GREENVILLE PROPERTIES LTD.
GREENVILLE, TEXAS

DATE	2/6/15
PROJECT NO.	05-14-05
DRAWN BY	

EXTERIOR
DETAILS
A5-3