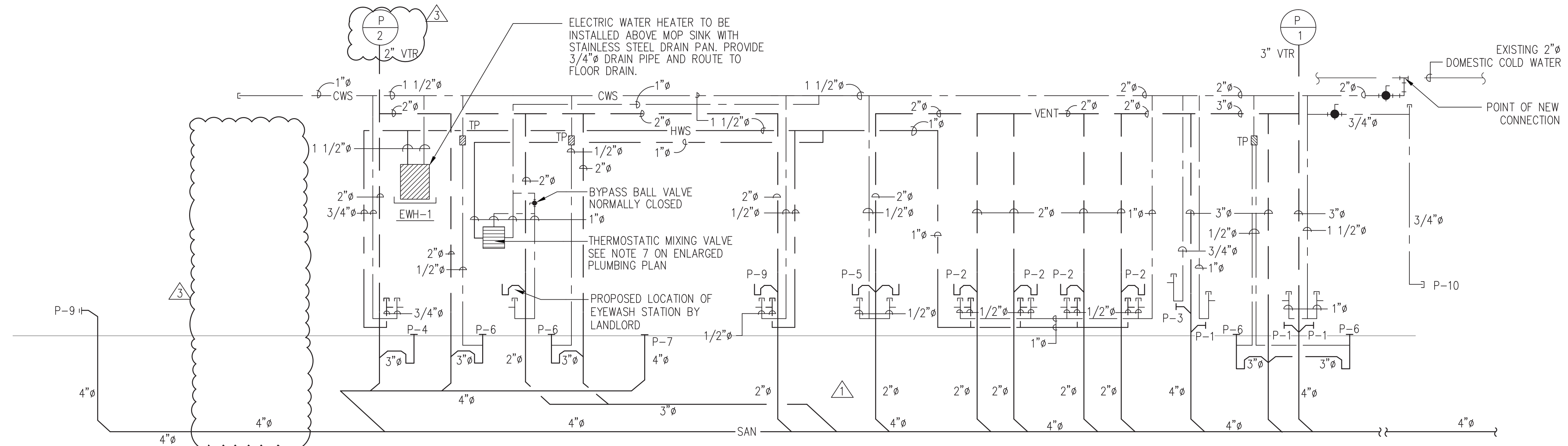


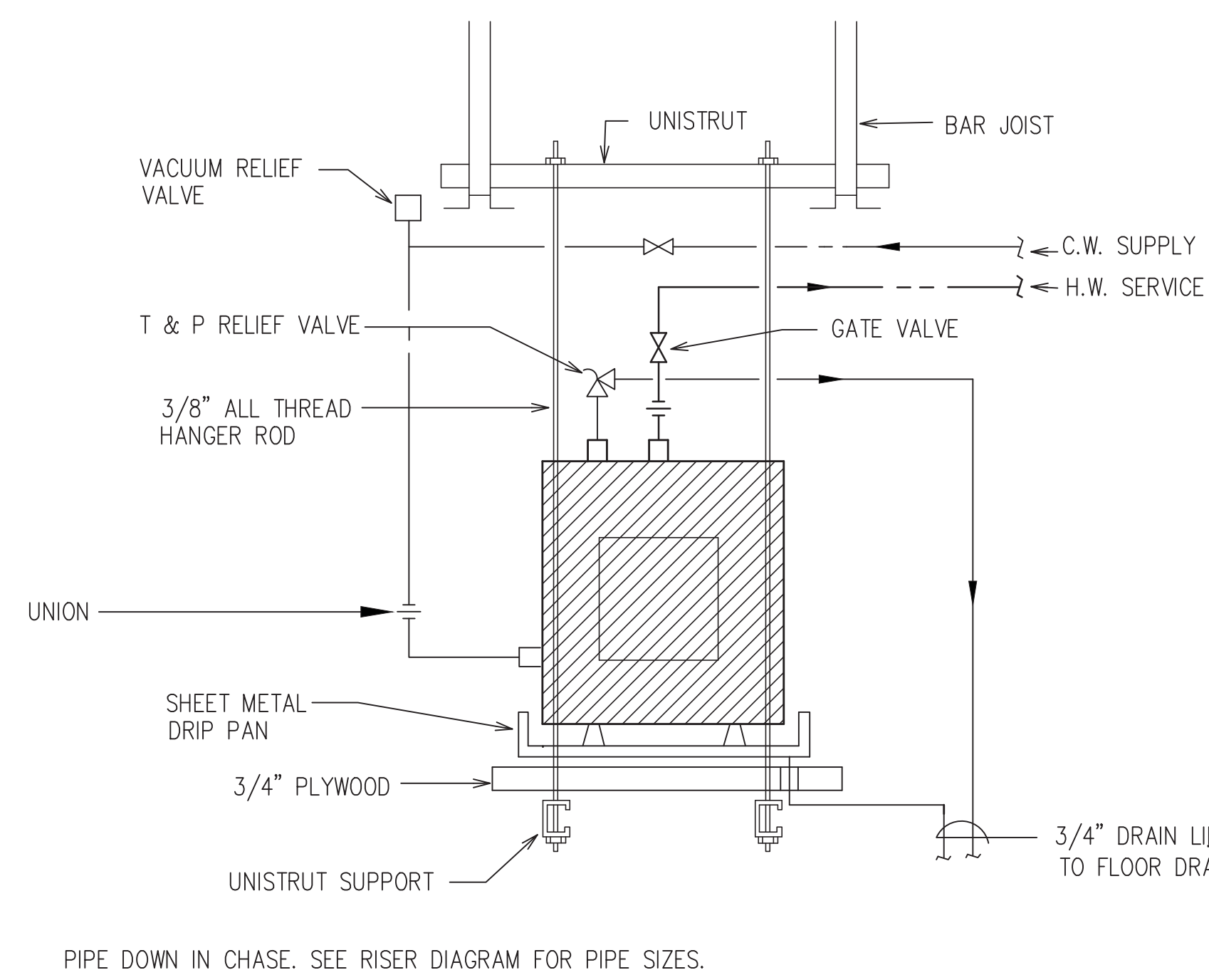
**PLUMBING KEYED NOTES:**

- ① POINT OF NEW CONNECTIONS.
- ② EXISTING 2" DOMESTIC COLD WATER TO REMAIN.
- ③ PIPE DOWN IN CHASE. SEE RISER DIAGRAM FOR PIPE SIZES.
- ④ NOT USED.
- ⑤ 1 1/2" HOT WATER SUPPLY TO ELECTRIC WATER HEATER LOCATED ABOVE JANITOR MOP SINK. SEE RISER DIAGRAM.
- ⑥ PROPOSED LOCATION OF EYEWASH STATION BY LANDLORD. PLUMBING CONTRACTOR TO PROVIDE ALL PIPING REQUIREMENTS INCLUDING THERMOSTATIC MIXING VALVE.
- ⑦ PROVIDE GUARDIAN THERMOSTATIC MIXING VALVE (FACTORY SET TO 85 DEG) MODEL G3600 FOR SINGLE EMERGENCY EYEWASH. UNIT SHALL INCLUDE A BUILT-IN COLD WATER BY-PASS, ROUGH BRONZE FINISH, SOLID BIMETAL THERMOSTAT, LOCKING TEMPERATURE REGULATOR WITH LIMIT STOP FACTORY SET FOR 90 DEGREES, INTEGRAL CHECK STOPS, AND DIAL THERMOMETER. UNIT SHALL HAVE A FLOW RANGE OF 0.5 GPM TO 5 GPM WITH A MAXIMUM PRESSURE LOSS OF 20 PSI AND COME WITH A FULL 1 YEAR WARRANTY.

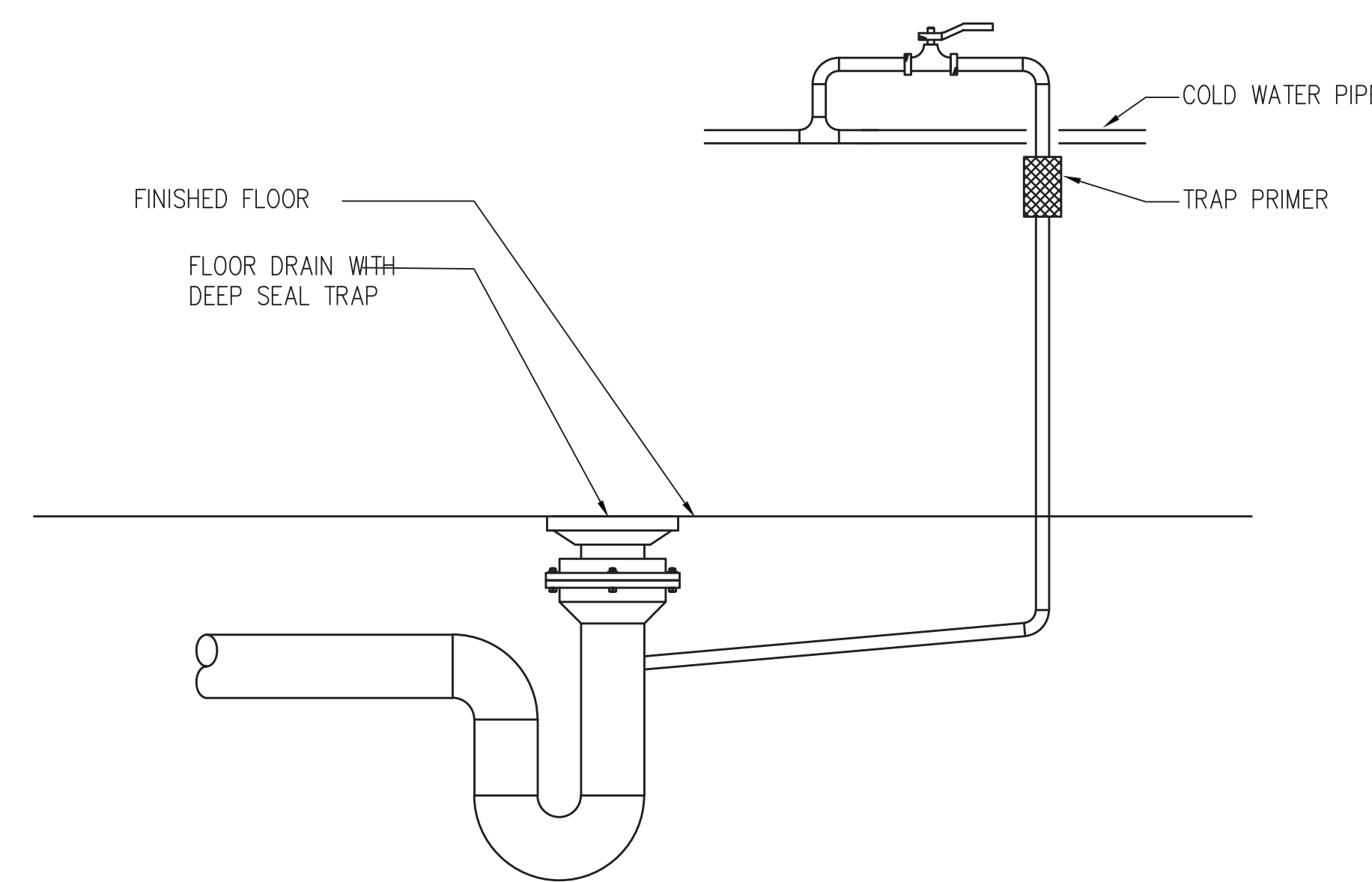
**1 PLUMBING ENLARGED FLOOR PLAN**  
SCALE: 1/4" = 1'-0"



**2 PLUMBING RISER DIAGRAM**  
SCALE: NTS

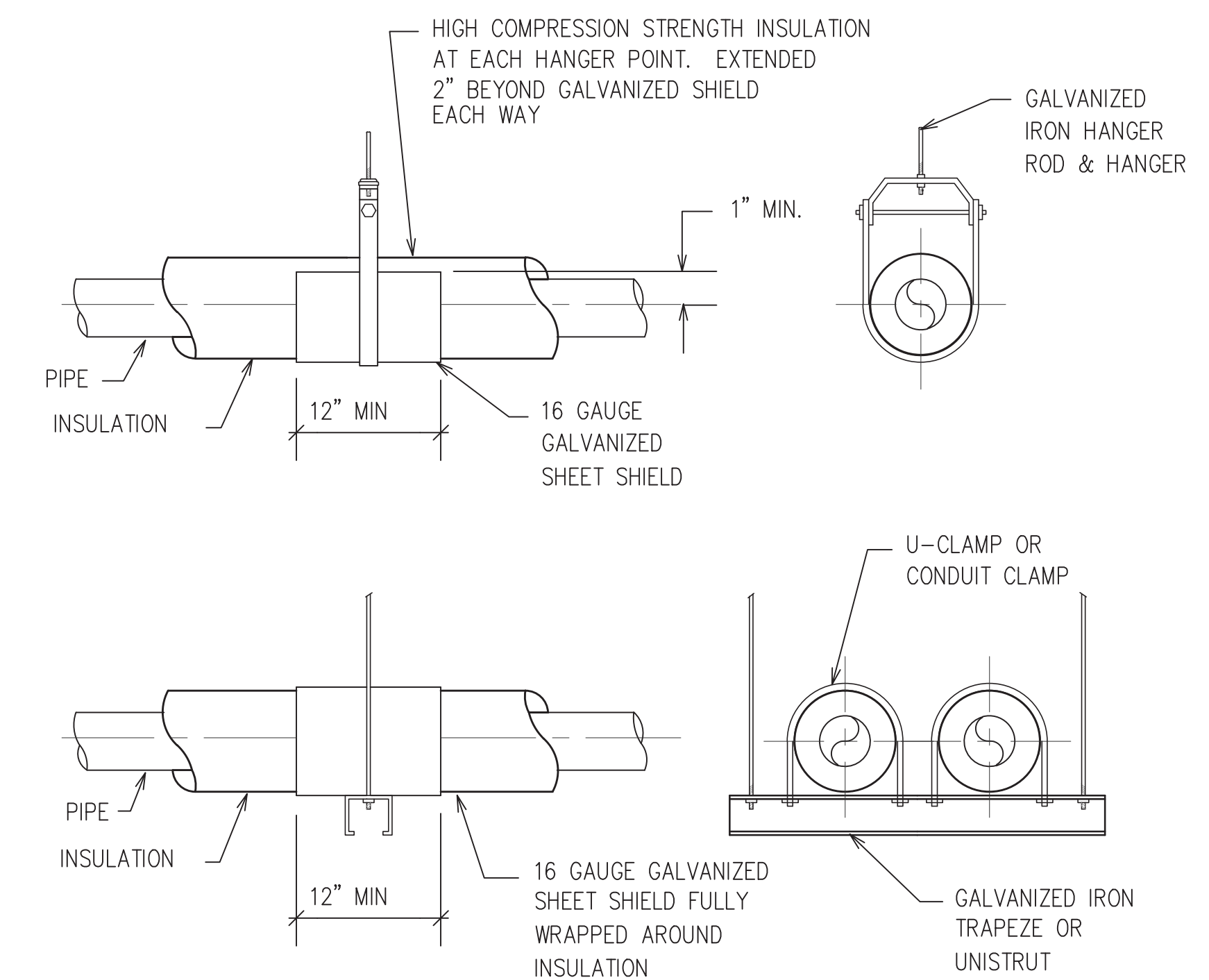


**3 WATER HEATER DETAIL**  
SCALE: NTS

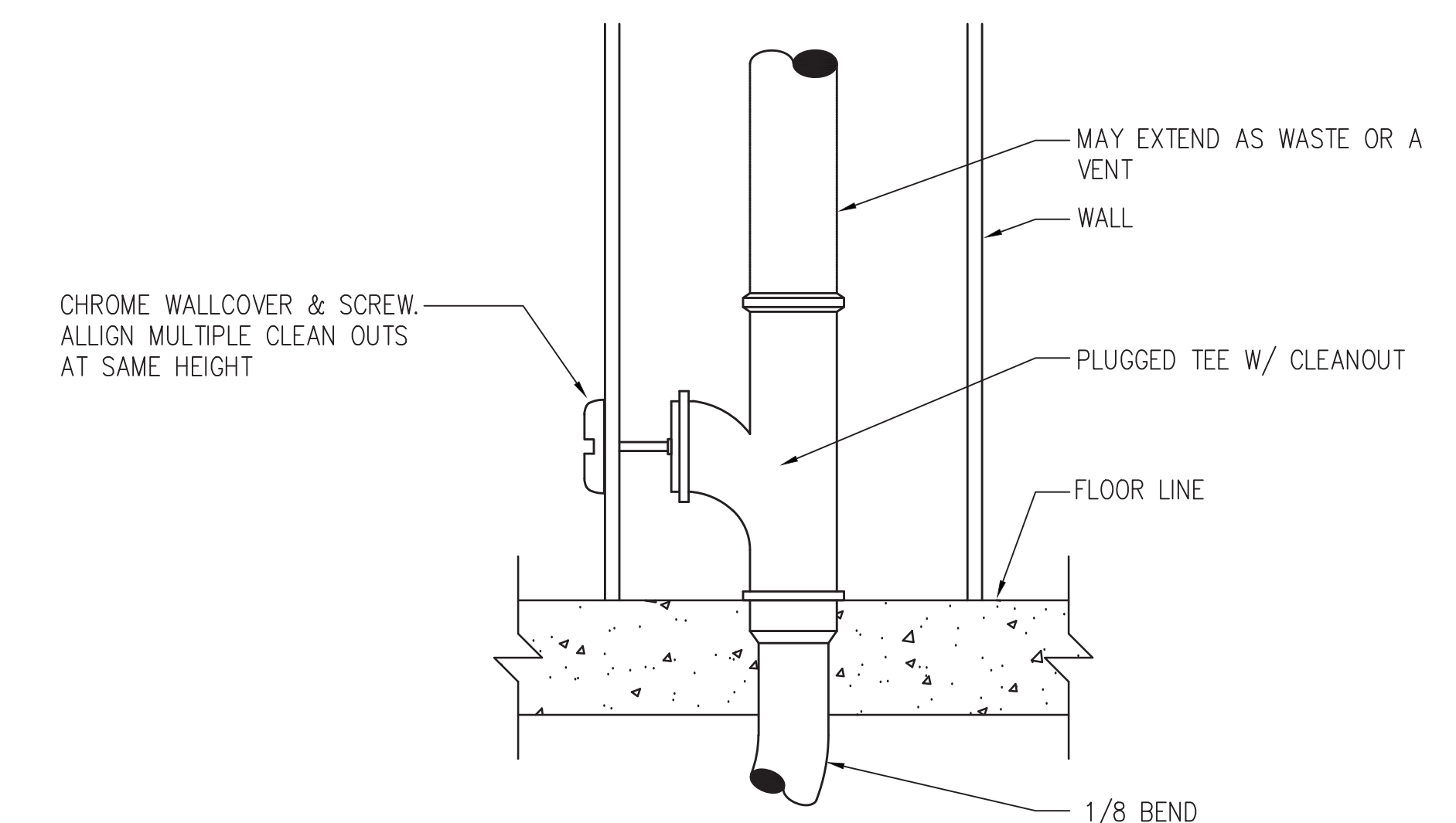


NOTE: MAY USE TRAP GUARD WHERE ALLOWED BY LOCAL CODES.

**5 FLOOR DRAIN WITH TRAP PRIMER DETAIL**  
SCALE: NTS



**4 PIPE HANGERS DETAIL**  
SCALE: NTS



**6 WALL CLEANOUT DETAIL**  
SCALE: NTS