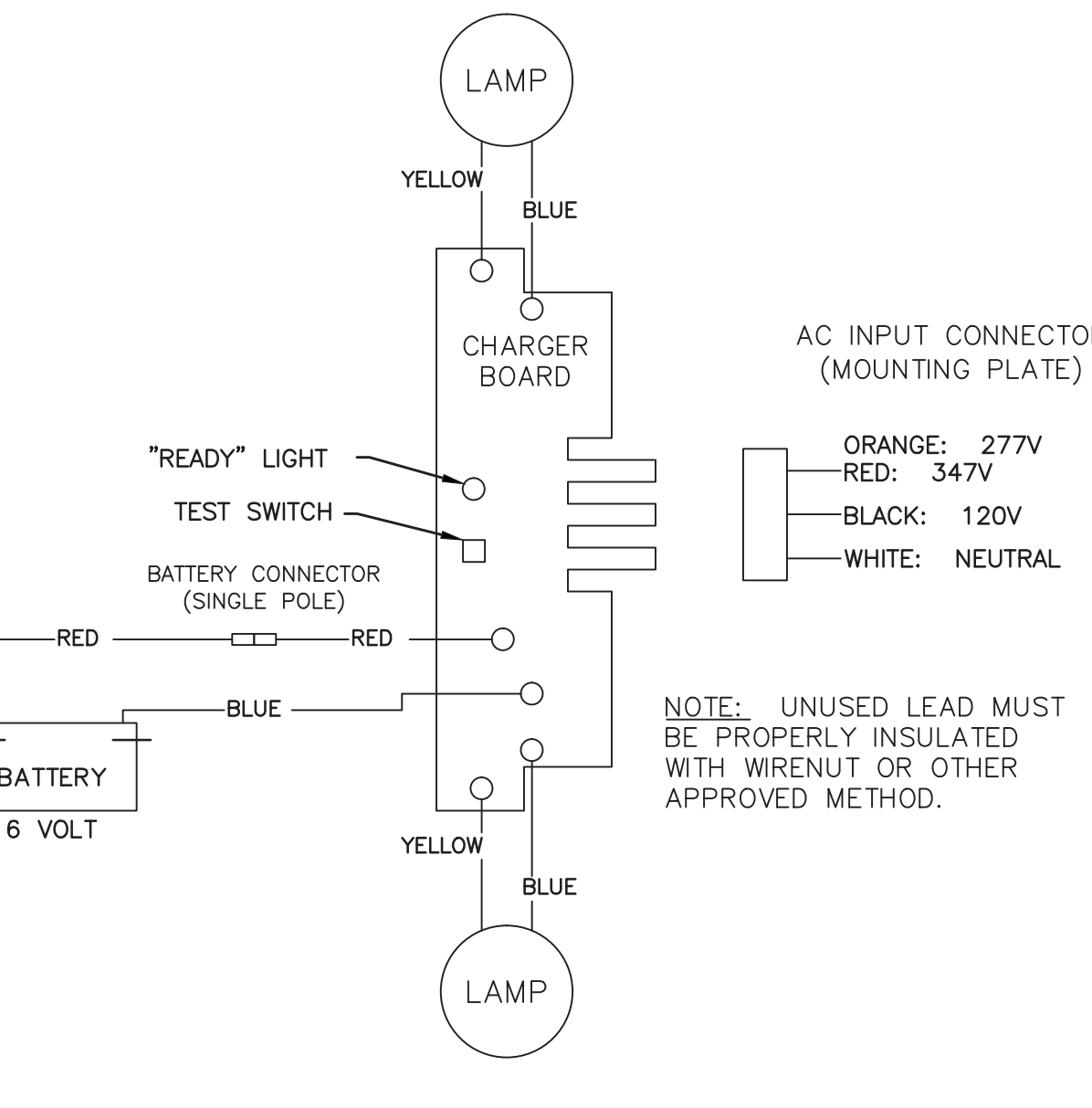
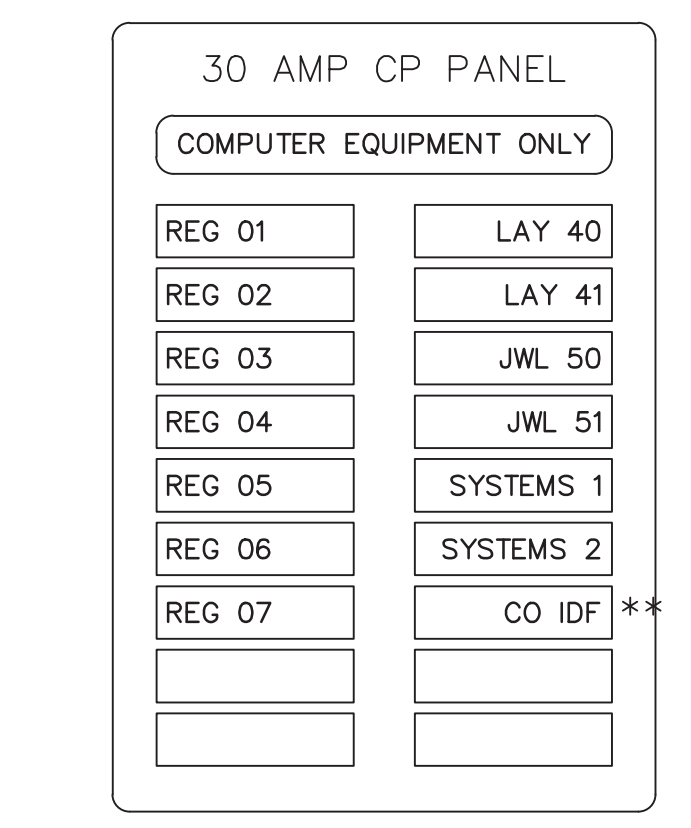


NOVAR INTERFACE SUMMARY (REFER TO T1X SPECIFICATIONS FOR DETAIL INFORMATION)

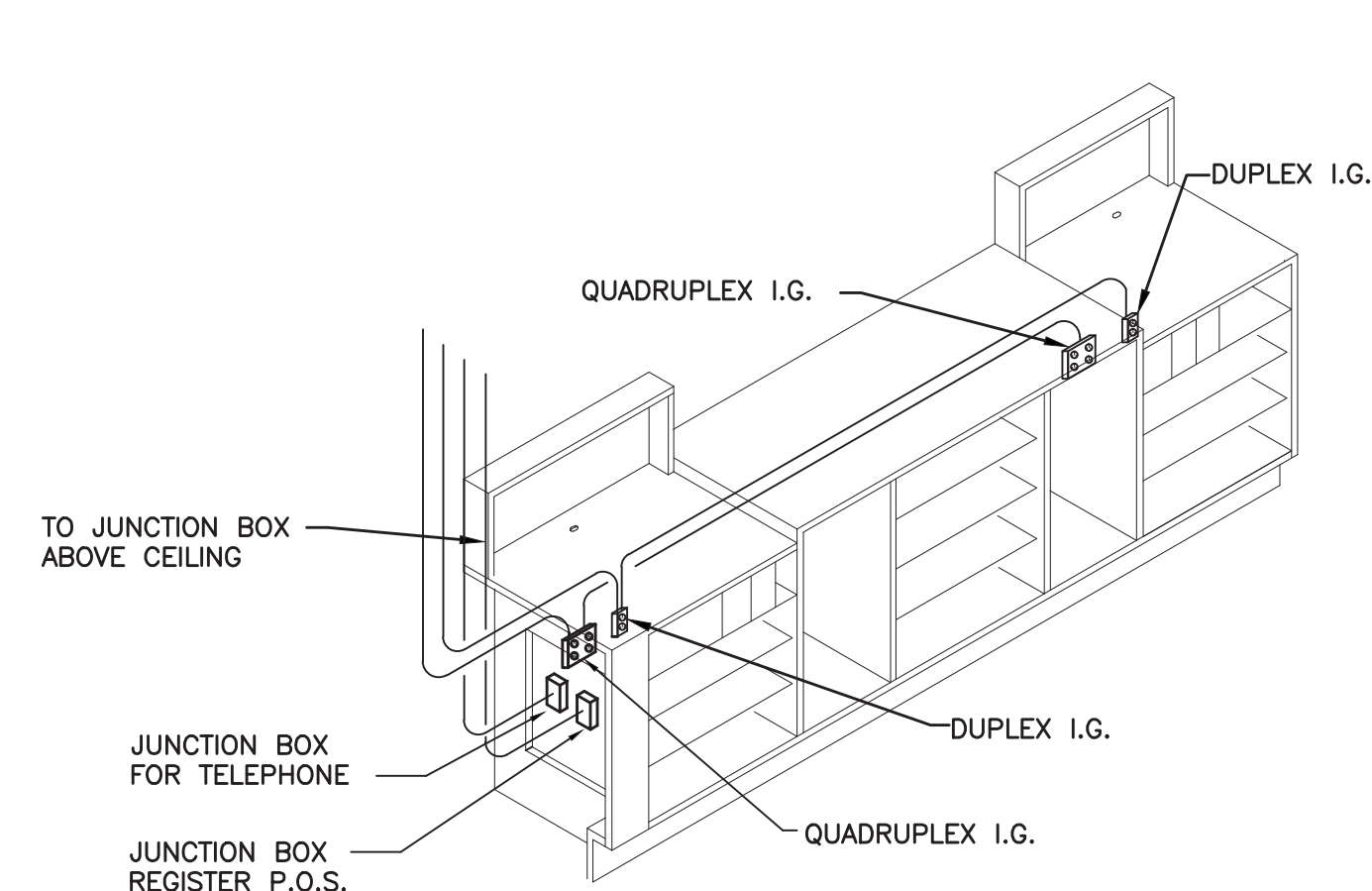
- 1) GENERAL CONTRACTOR
2) MECHANICAL CONTRACTOR
3) ELECTRICAL CONTRACTOR
4) PROVIDE AND INSTALL A THREE PHASE CIRCUIT BREAKER (20 AMP) FOR THE VENTS WATTS TRANSUCER.



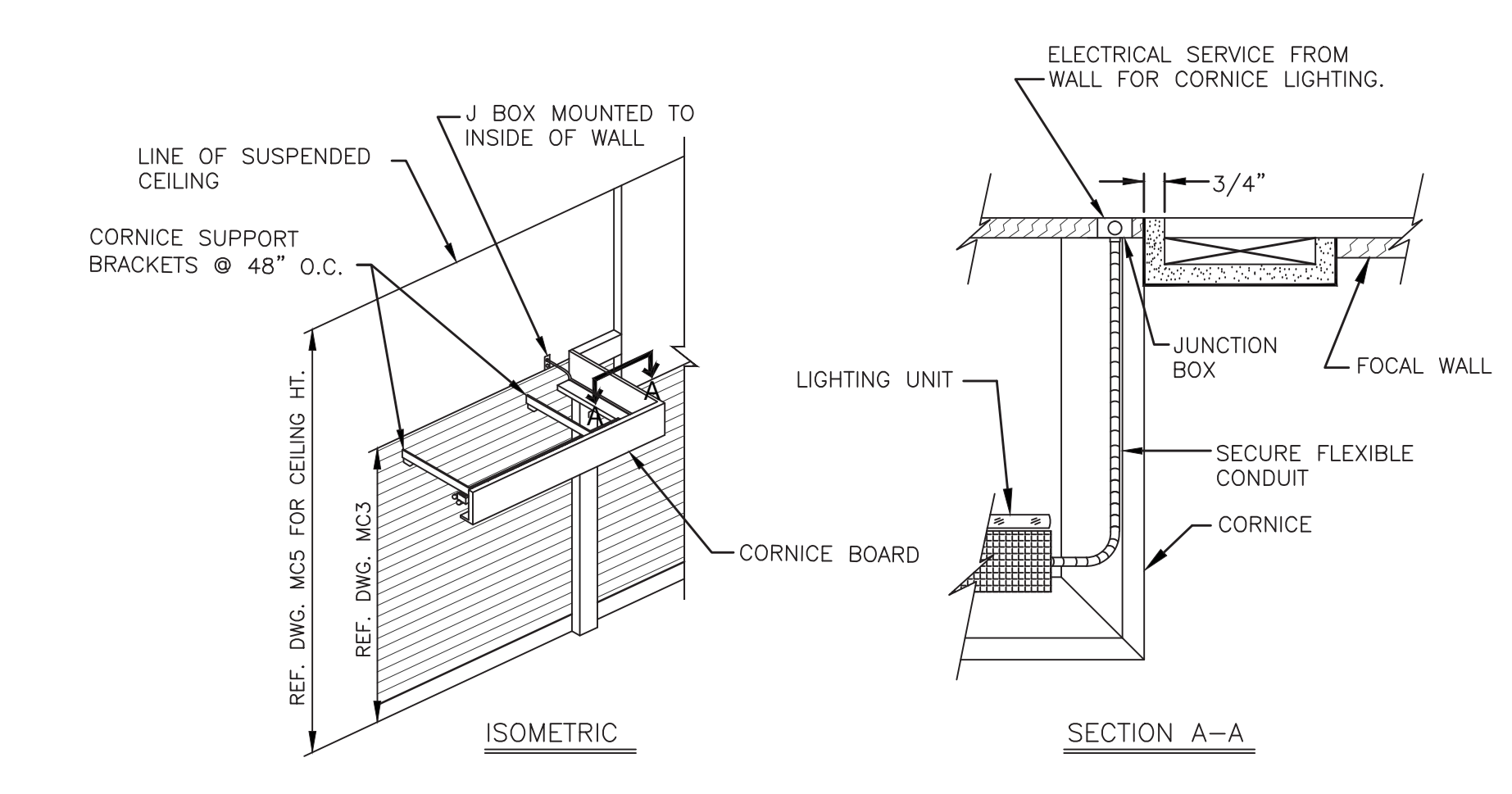
EMERGENCY LIGHTS WIRING DIAGRAM NOT TO SCALE



TYPICAL CP PANEL NOT TO SCALE



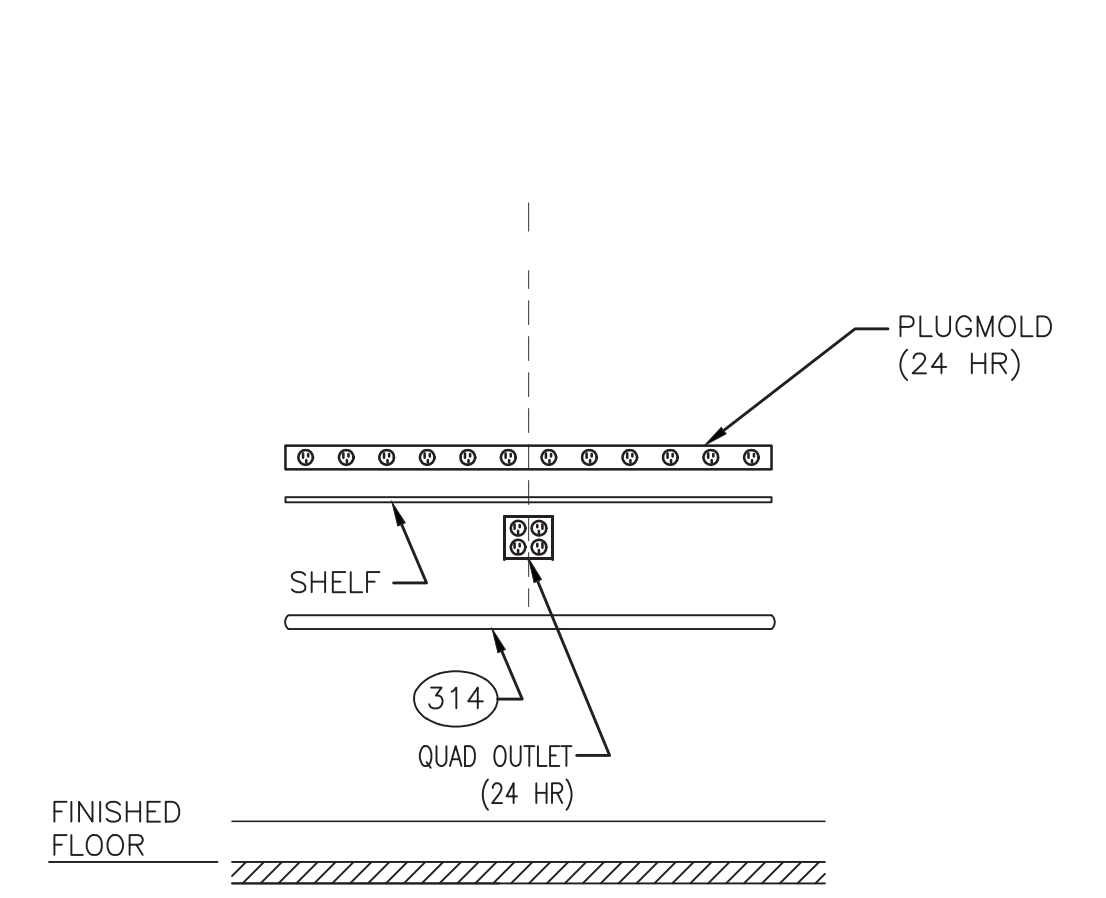
LAYAWAY DESK WIRING NOT TO SCALE



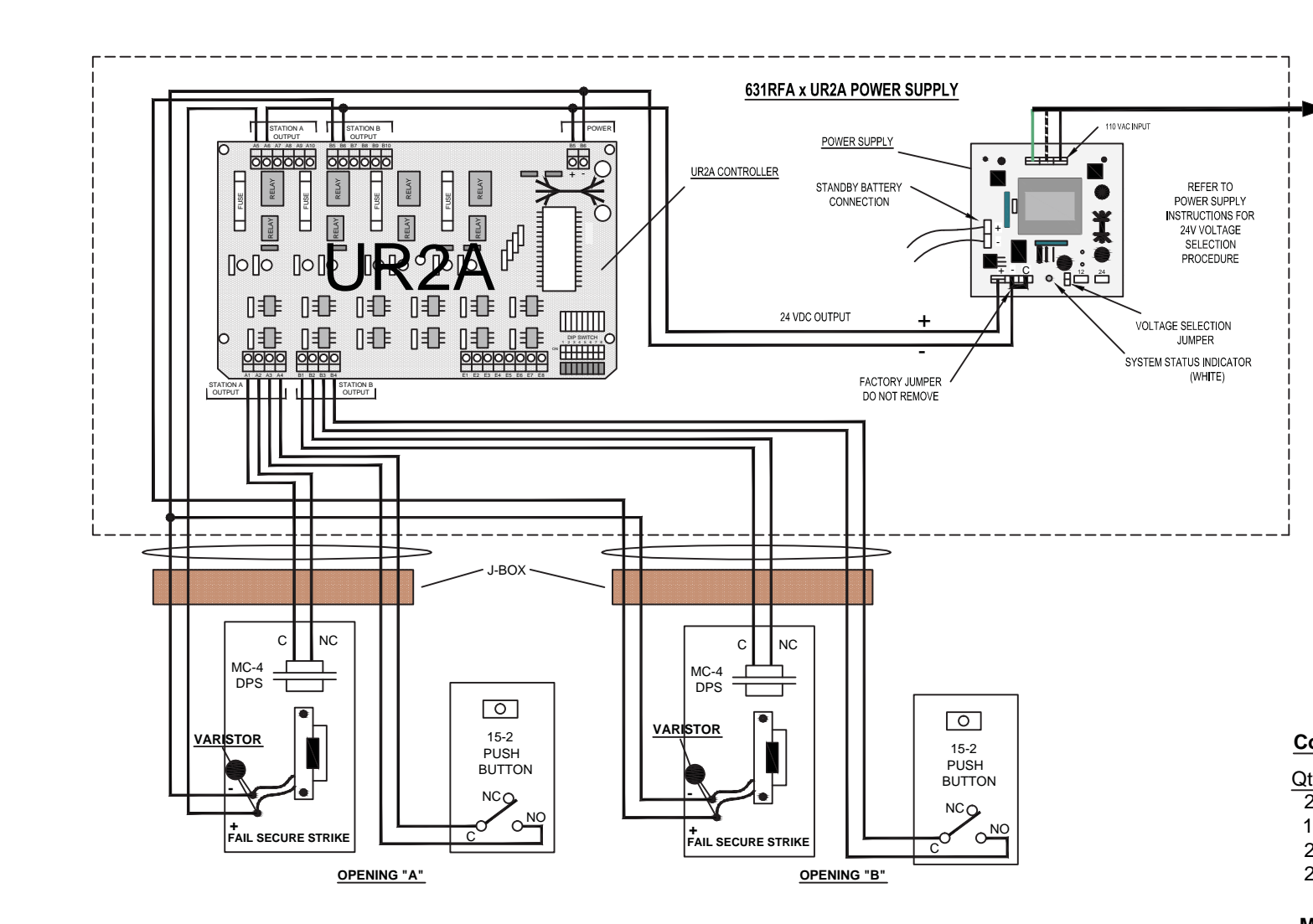
CORNICE DETAIL NOT TO SCALE

HVAC SUMMARY (REFER TO T1X SPECIFICATIONS FOR DETAIL INFORMATION)

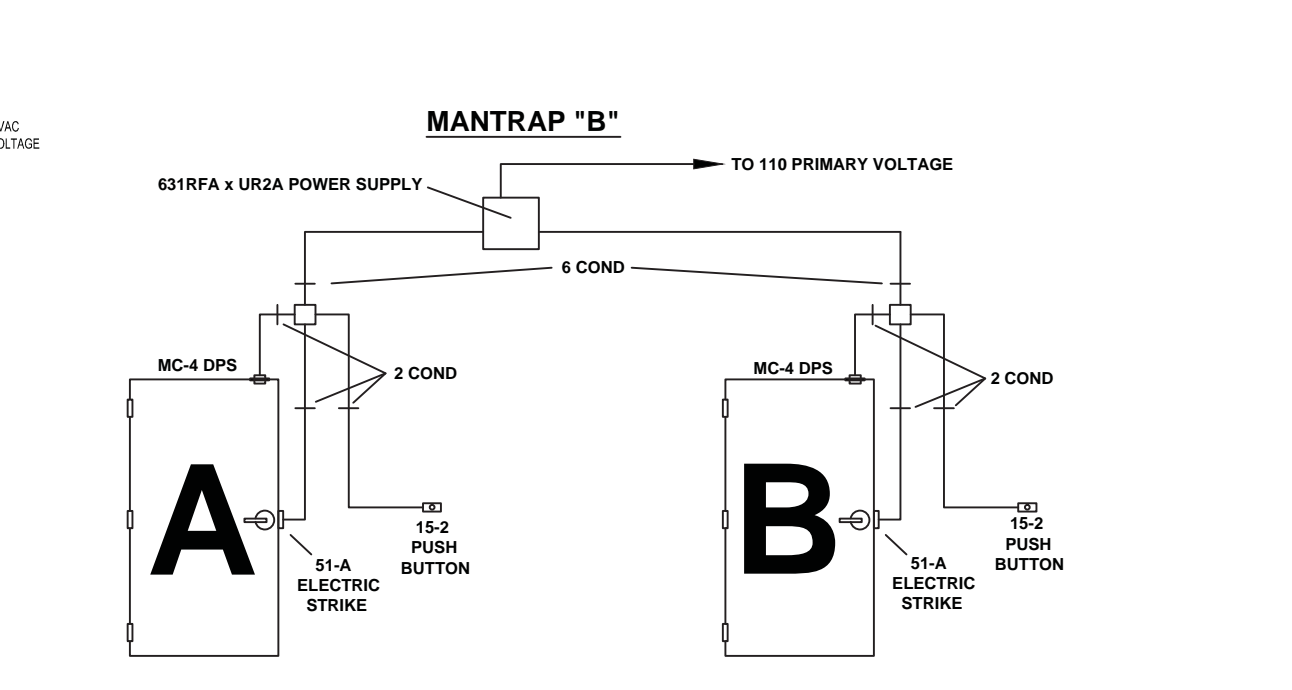
- 1) HVAC NOVAR INTERFACE (THE HVAC CONTRACTOR'S WORK PRIOR TO THE NOVAR CONTRACTOR'S WORK)
2) AIR BALANCING
3) THE DISPOSABLE HVAC FILTERS ARE TO BE CHANGED JUST PRIOR TO THE STORE GRAND OPENING.



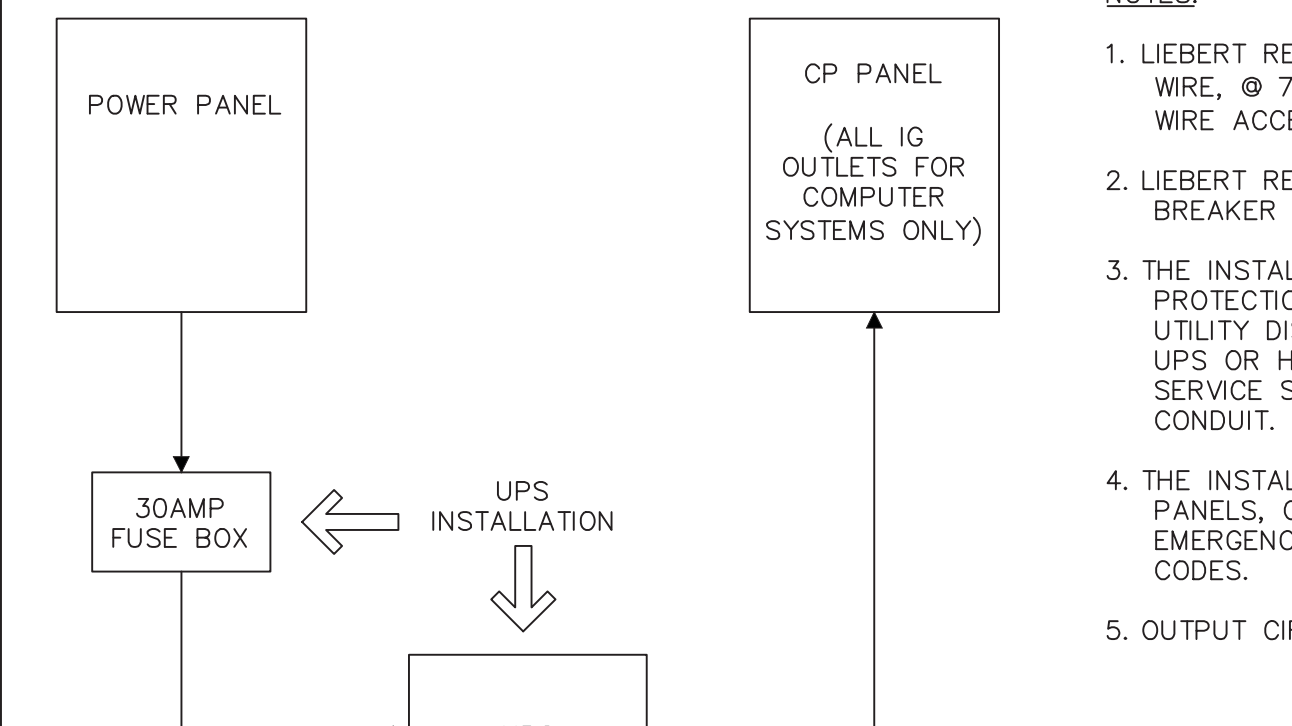
DETAIL @ ASSIST. MANAGERS OFFICE NOT TO SCALE



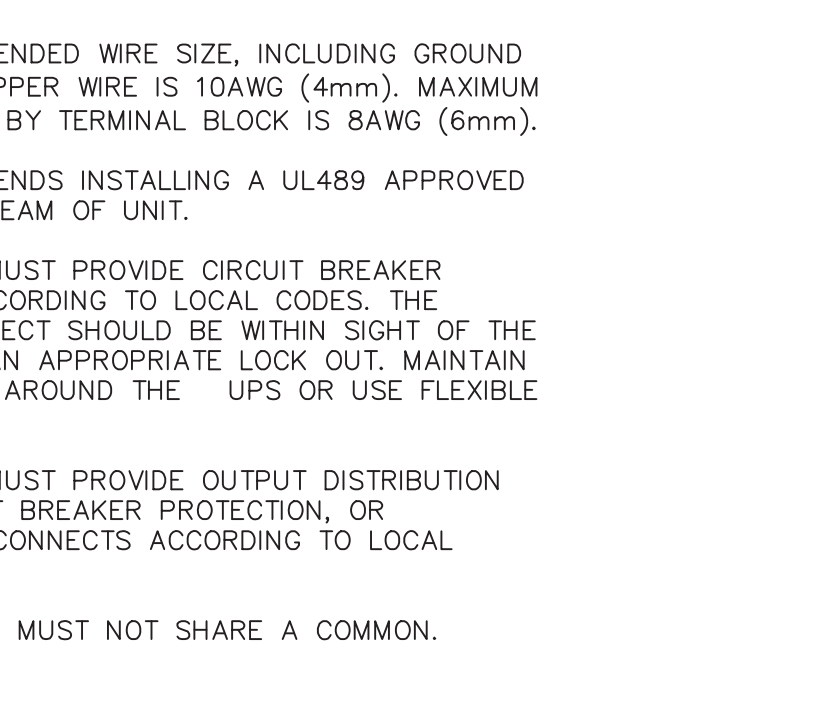
ELECTRICAL REQUIREMENTS FOR CASH OFFICE DOORS NOT TO SCALE



UPS DIAGRAM



UPS DIAGRAM



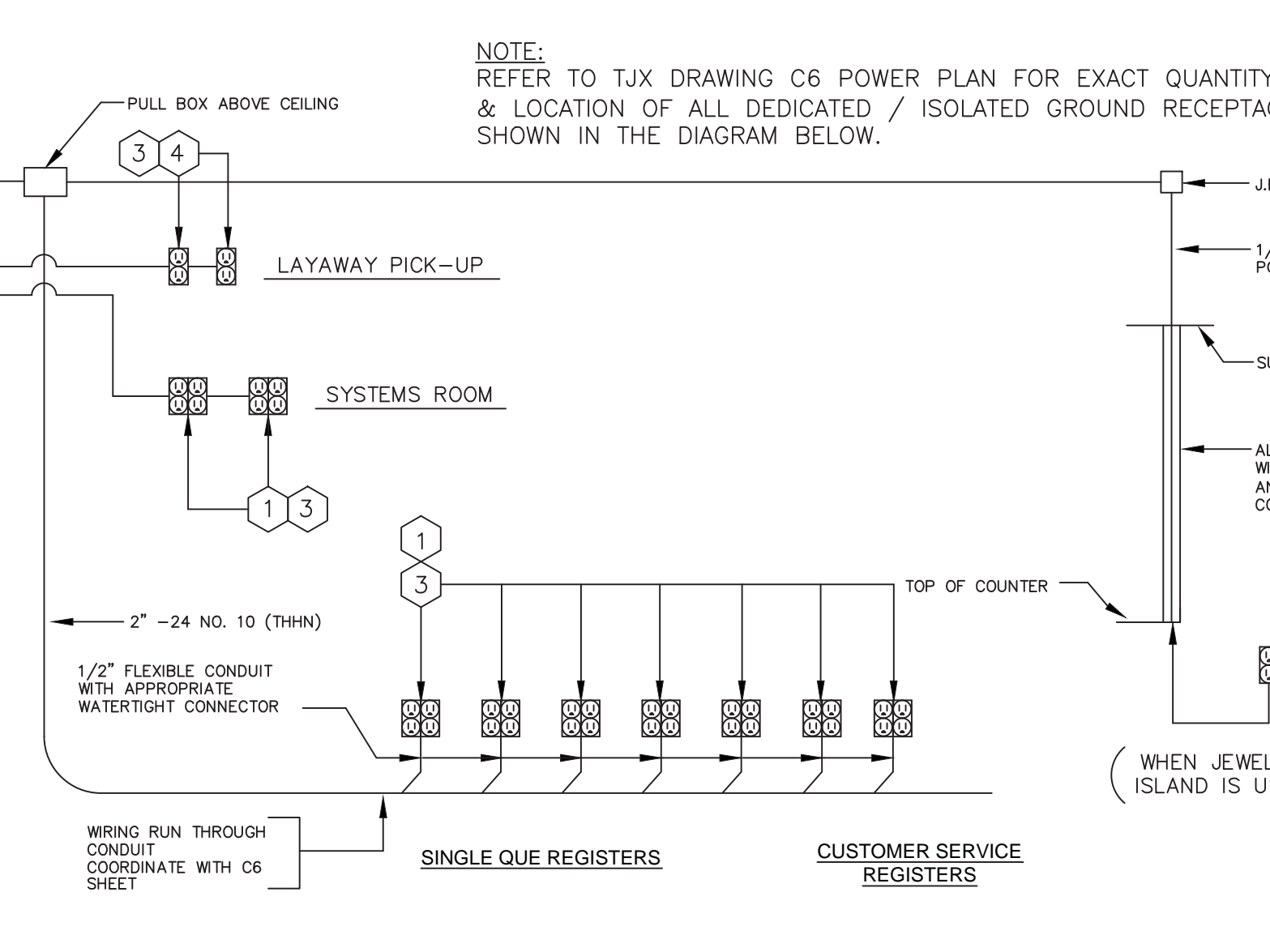
UPS DIAGRAM

LIGHTING SUMMARY (REFER TO T1X SPECIFICATIONS FOR DETAIL INFORMATION)

- 1) NIGHT LIGHTING
2) EMERGENCY LIGHTING
3) SECURITY LIGHTING
4) SIGNS AND CANOPY LIGHTS
5) CUSTOMER LIGHTING
6) EMPLOYEE LIGHTING

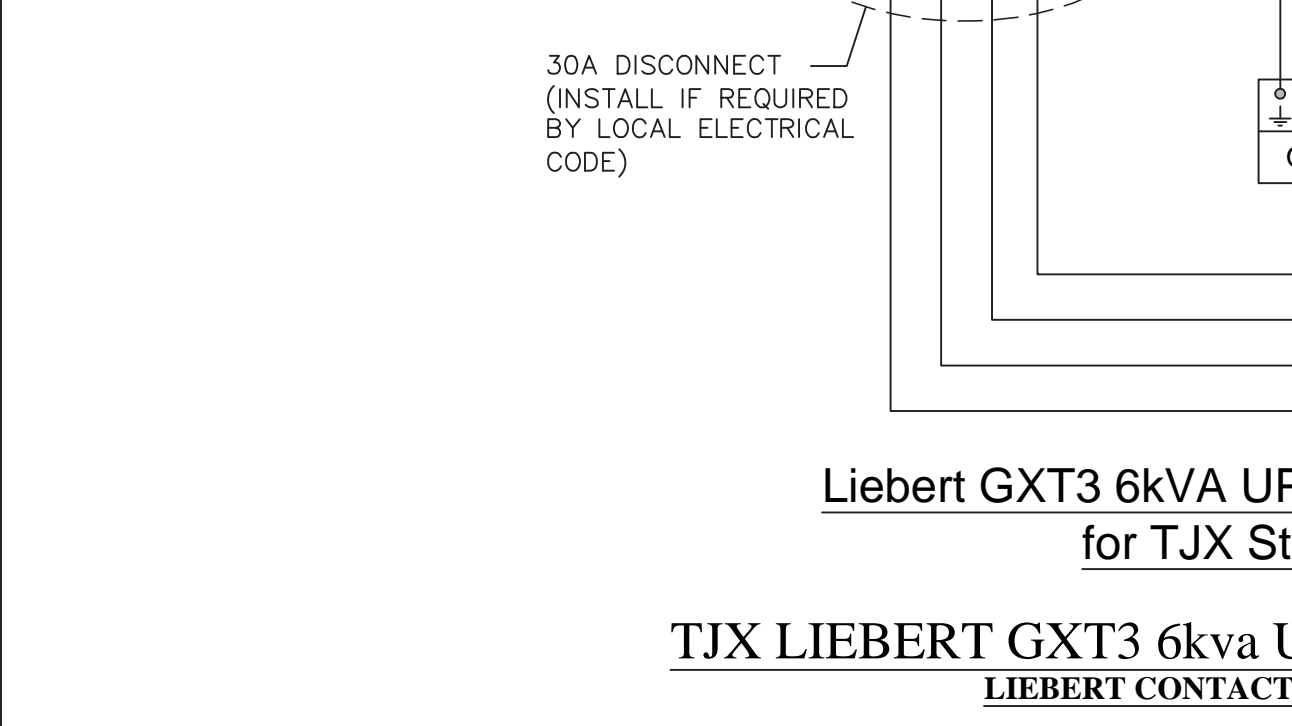
ELECTRIC MATERIAL SCHEDULE table with columns for ITEM, DESCRIPTION, and QUANTITY.

- NOTES
1) T1X SHALL BRING IN AN OUTSIDE CONTRACTOR TO SUPPLY, RUN AND TERMINATE THE LOW VOLTAGE COMMUNICATION WIRING.

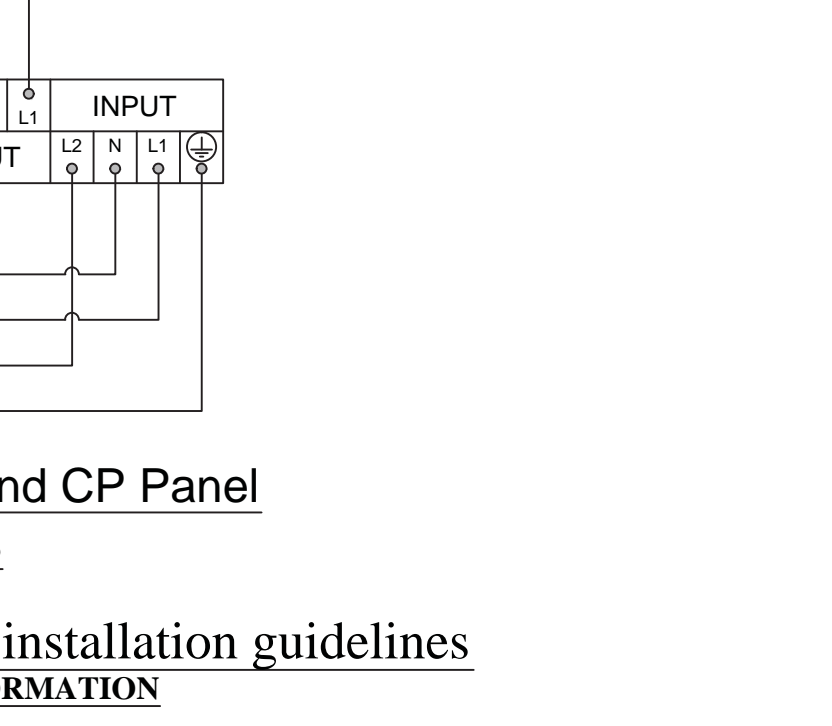


REAR DOOR ALARM CONTROL

- A. FURNISH AND INSTALL A REAR DOOR ALARM CONTROL SYSTEM AT THE STOCK ROOM DOOR TO THE EXTERIOR (5'-0" X 6'-8").
B. DOOR ALARM SYSTEM SHALL BE WHEELOCK SECURITY EQUIPMENT MODEL 8CH-70, AS MANUFACTURED BY WHEELOCK INC.

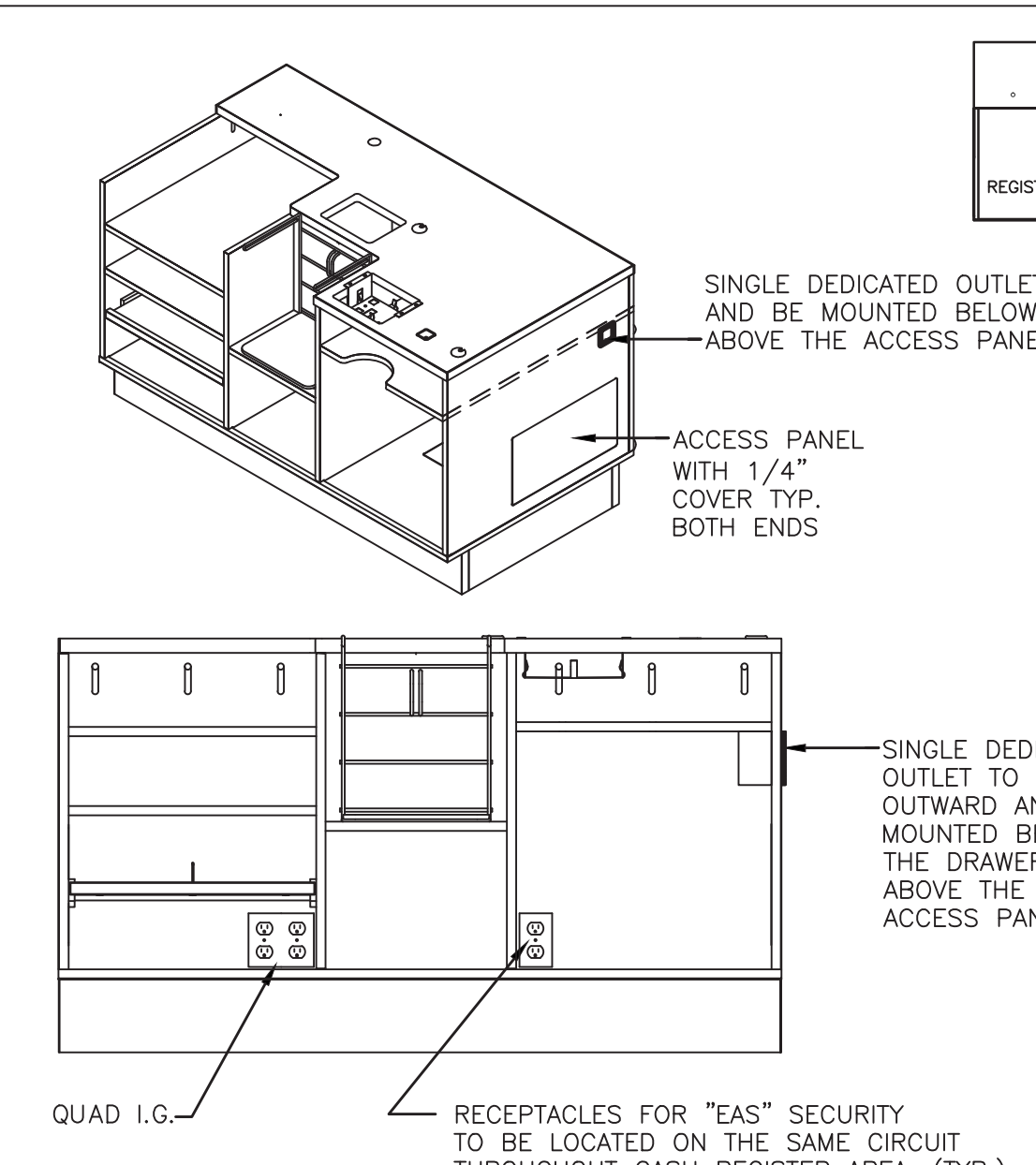


Liebert GXT3 6kVA UPS and CP Panel for T1X Stores

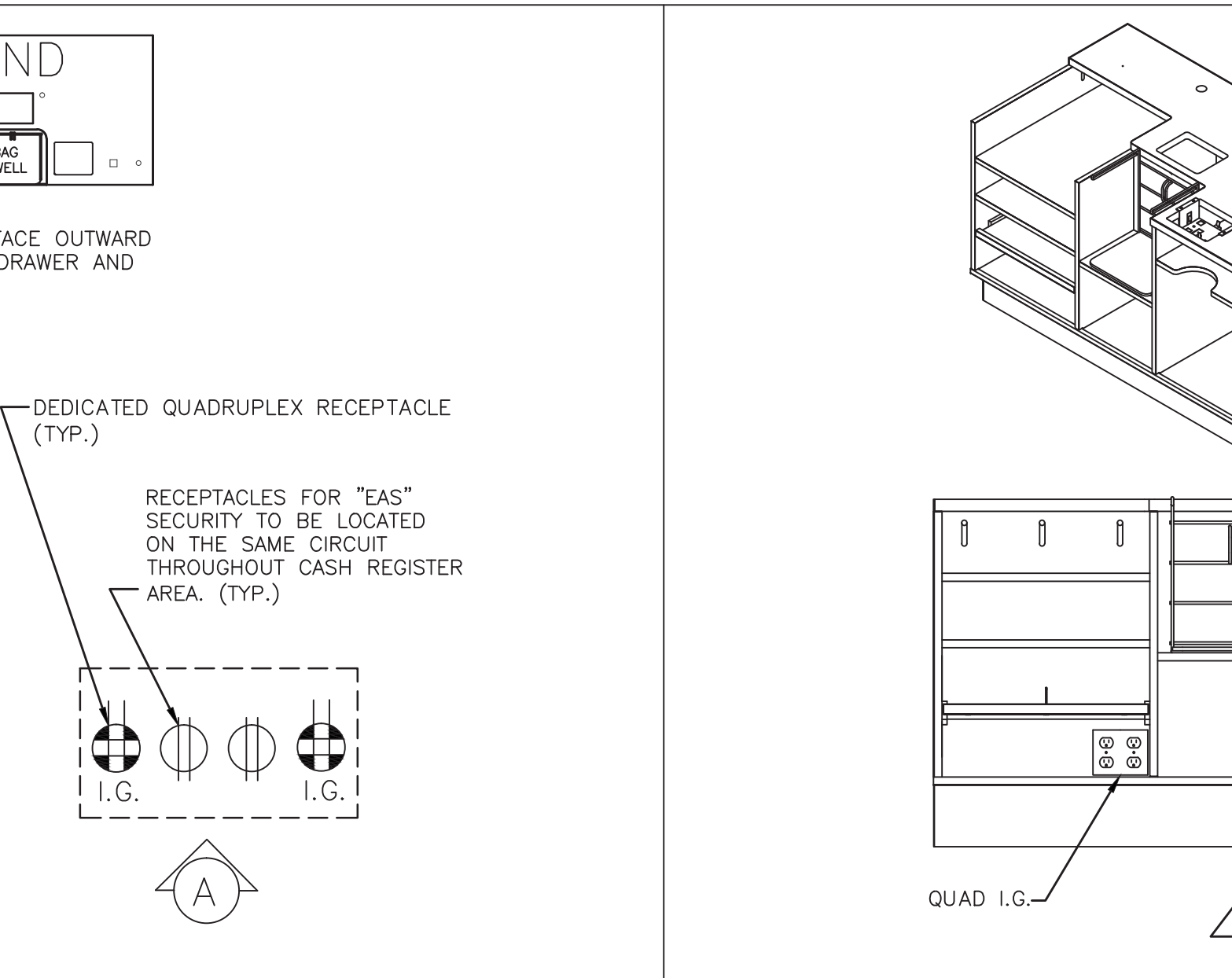


Liebert GXT3 6kVA UPS and CP Panel for T1X Stores

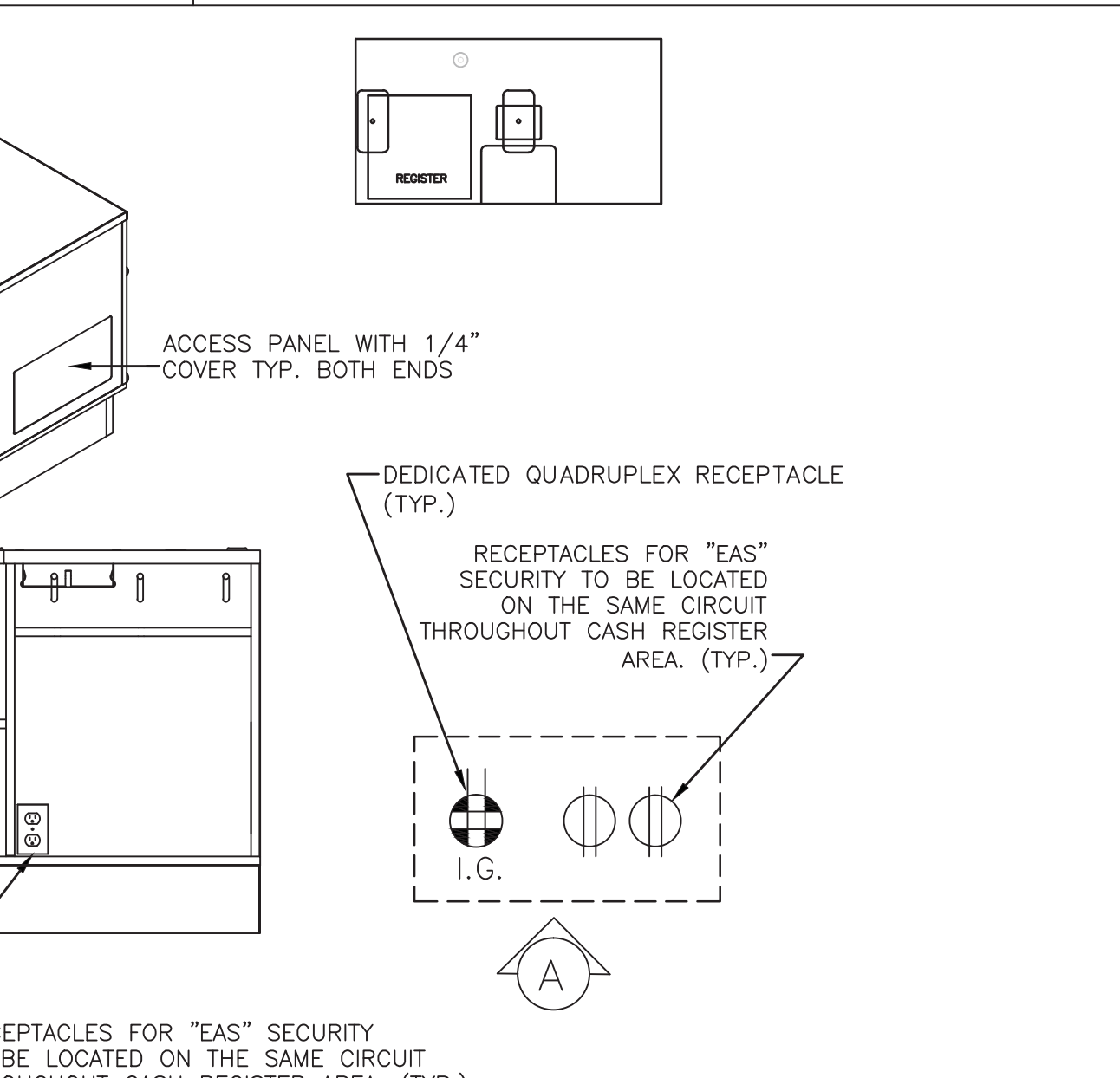
- 7) G.E. SOFTWARE RELAY PANEL PROGRAMMING
A) SOFTWARE LIGHTING GROUPS
B) CONTROLLING AN INDIVIDUAL RELAY
C) CONTROLLING A SOFTWARE GROUP
D) CONTROLLING AN INDIVIDUAL RELAY



SINGLE Q CHECK OUT STAND ELEVATION 'A' @ END CHECK OUT (TYPICAL) NOT TO SCALE



SINGLE Q CHECK OUT STAND ELEVATION 'A' @ CHECK OUT (TYPICAL) NOT TO SCALE



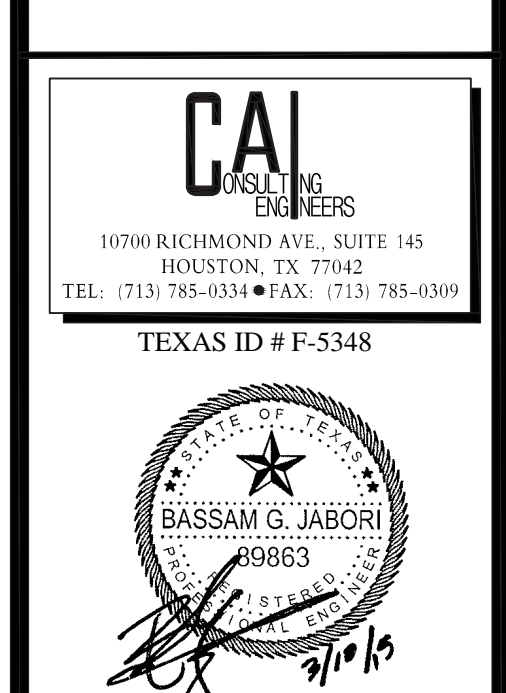
SINGLE Q CHECK OUT STAND ELEVATION 'A' @ CHECK OUT (TYPICAL) NOT TO SCALE

- General:
Contractor shall provide all equipment, tools, and labor necessary to install a complete and operating Central Vacuum System as specified below.
Products:
a. Power unit shall be a DuoVac A-10-130i-NA-D with auxiliary inlet & power unit coupler as manufactured by NuRo Air.

- Installation:
a. General Contractor shall install the central vacuum system to provide inlets every 20 feet in the Womens Dressing/Fitting Room, and one inlet in the Mens Dressing/Fitting Room.
b. Room Mirrors
c. Vacuum system does not require exterior ventilation.

Table with columns for CD/BD, DATE, and other project details.

WINDLE + VOLPE ARCHITECTS
7600 WEST TULIP
HOUSTON, TEXAS 77065
PH 713-953-1390



MARSHALLS BUILD-OUT CROSSROADS MALL GREENVILLE, TEXAS
GREENVILLE PROPERTIES LTD. GREENVILLE, TEXAS

Table with columns for DATE, PROJECT NO., and DRAWING BY.

ELECTRICAL DETAILS
E1.8