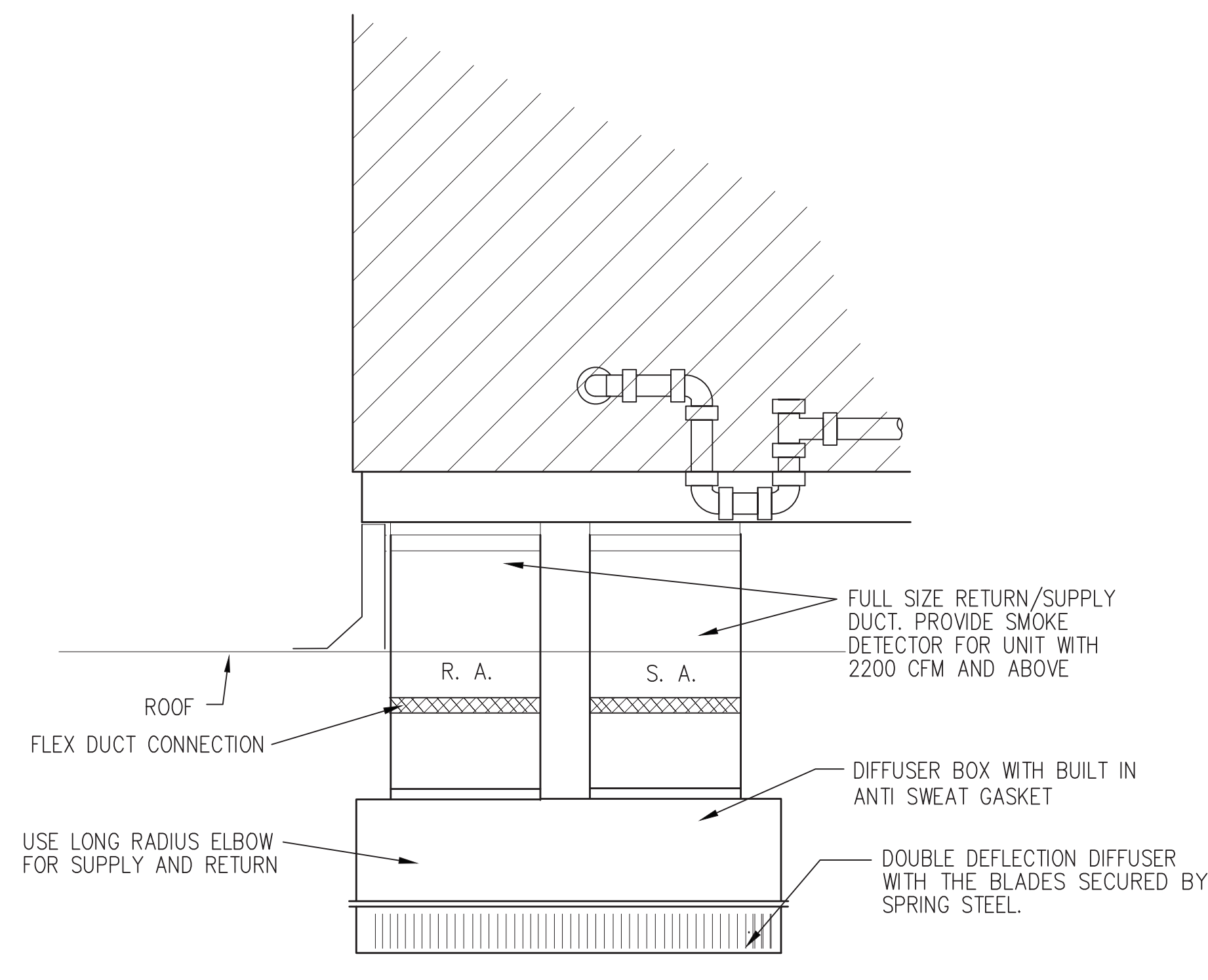
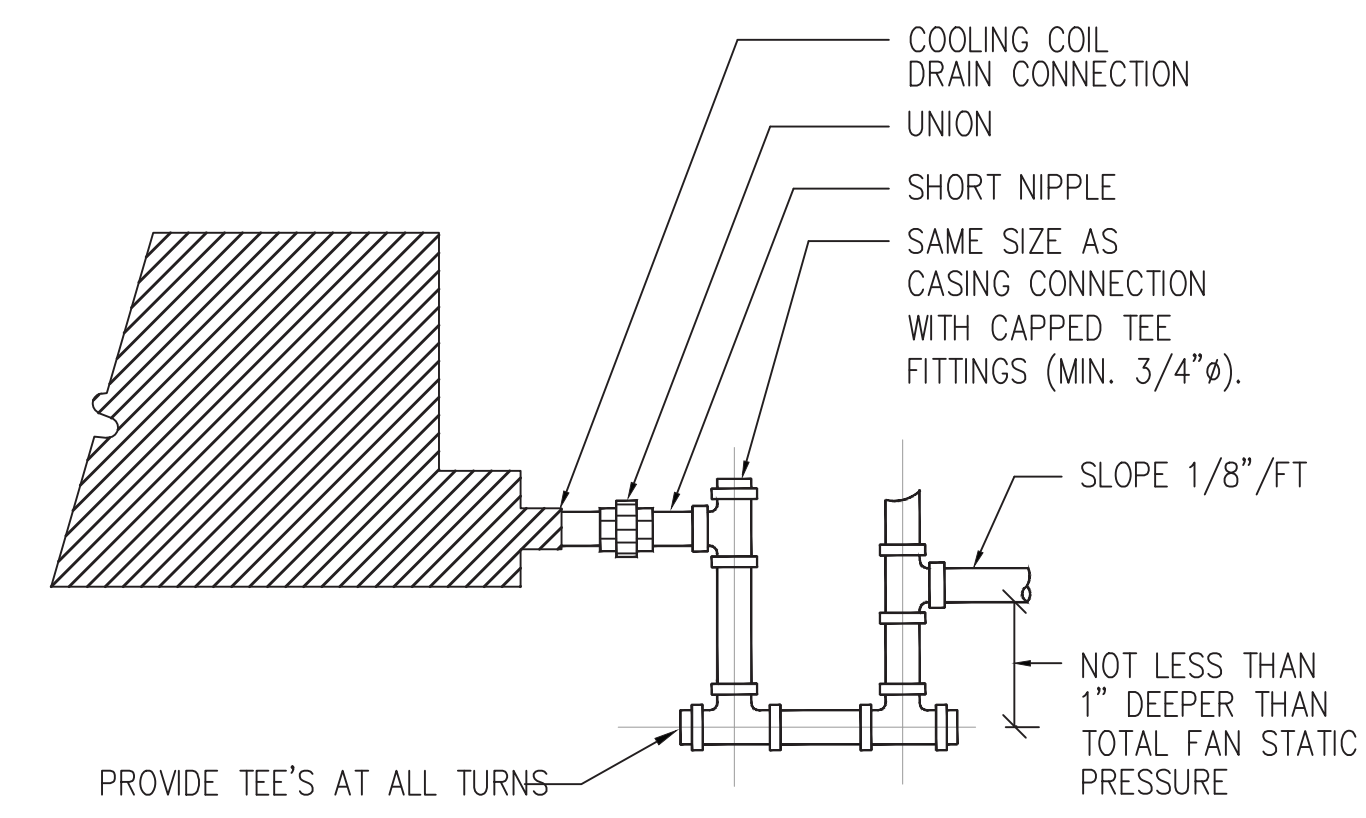


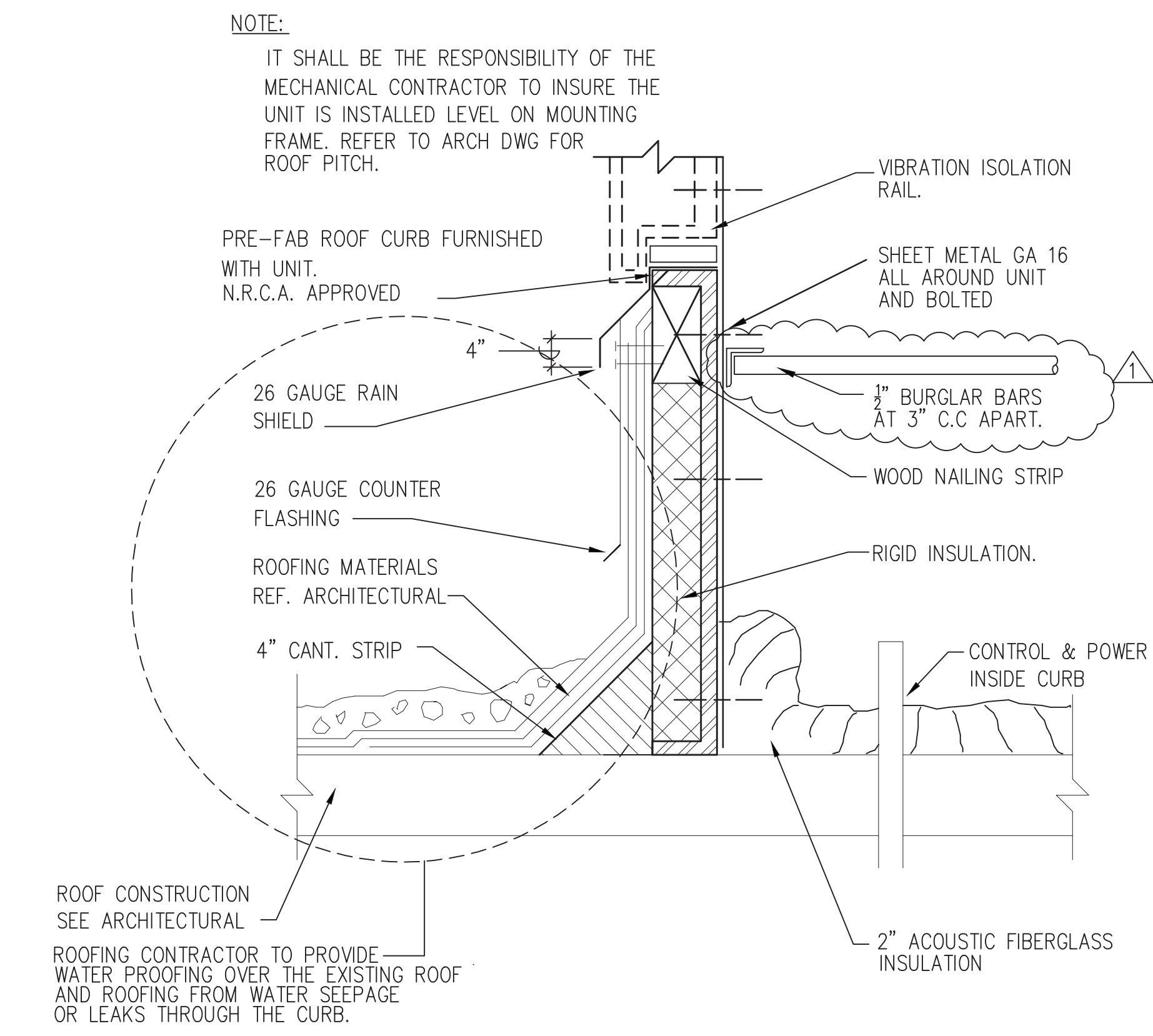
**1** ROOFTOP UNIT DETAIL  
SCALE : NTS"



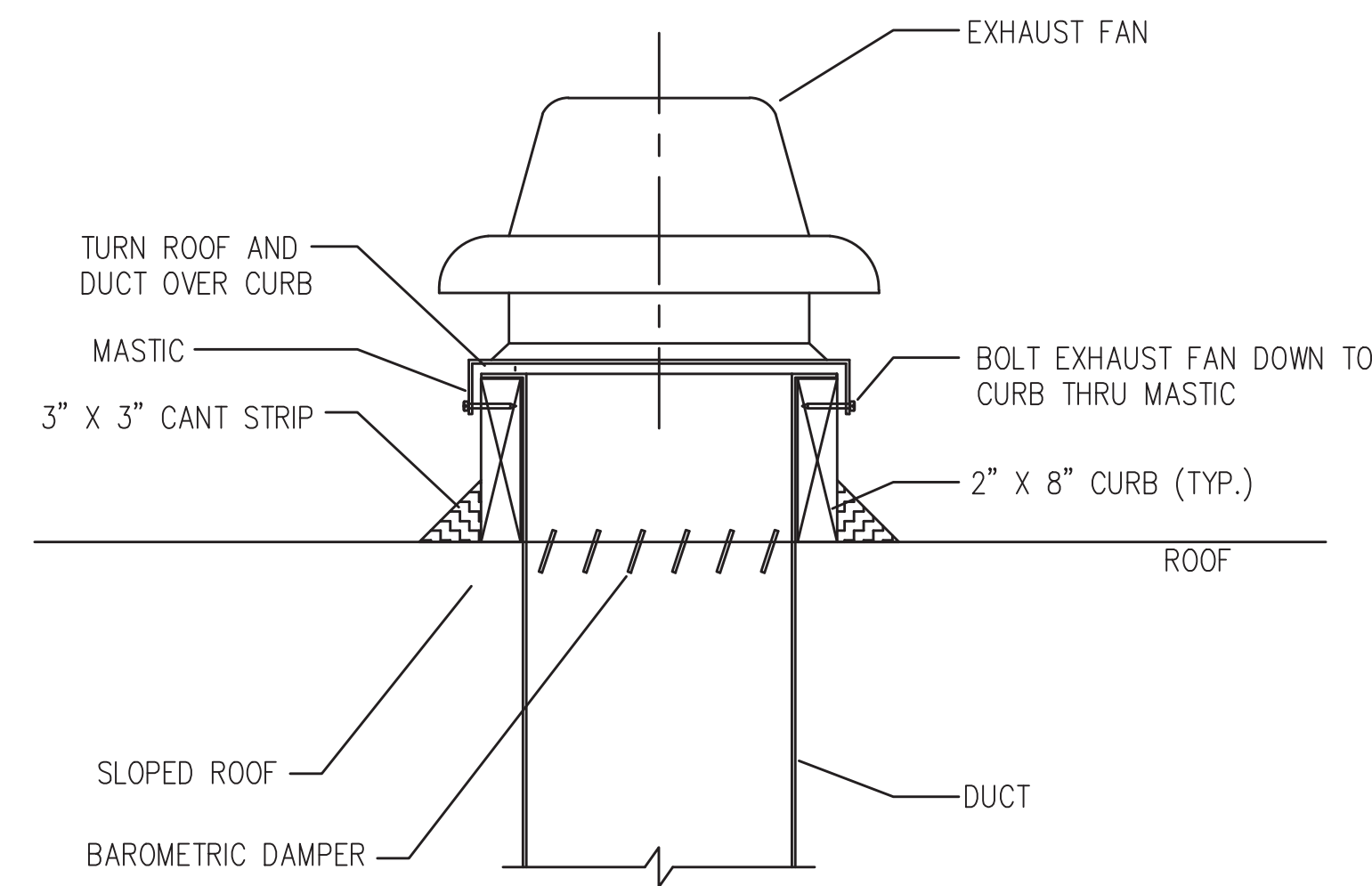
**2** CONCENTRIC DIFFUSER DETAIL  
SCALE : NTS"



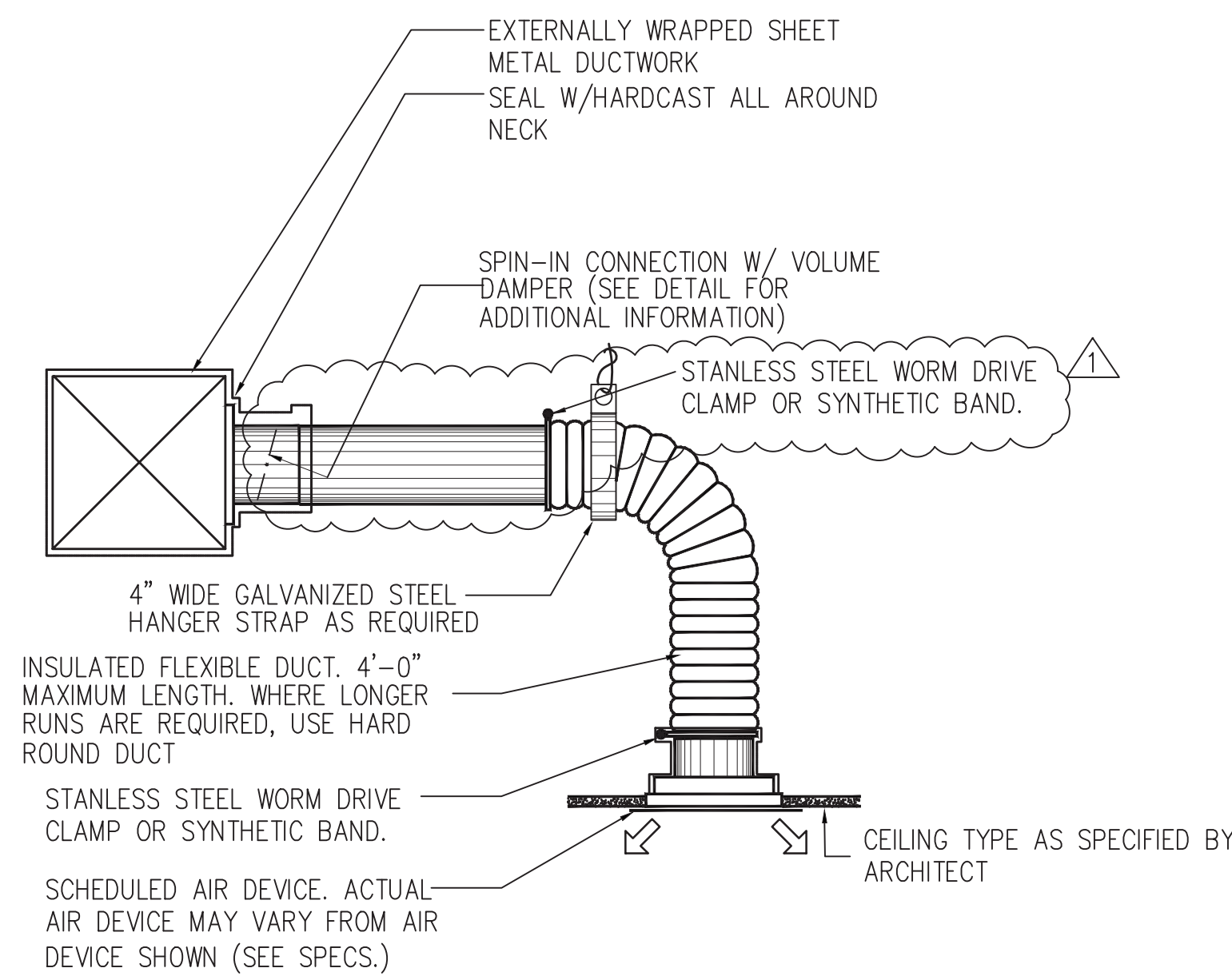
**3** CONDENSATE DRAIN DETAIL  
SCALE : NTS"



**4** ROOF CURB DETAIL  
SCALE : NTS"



**5** EXHAUST FAN DETAIL  
SCALE : NTS"



**6** CEILING DIFFUSER CONNECTION DETAIL  
SCALE : NTS"

NOTES:  
1. CEILING DIFFUSER SHALL BE INSTALLED SUCH THAT THE FACE OF DIFFUSER IS FLUSH WITH CEILING.  
2. FOR UNCONDITIONED CEILING PLENUMS, INSULATE ENTIRE BACK OF CEILING DIFFUSER WITH 1" DUCT WRAP AND SEAL WITH VAPOR BARRIER TAPE.  
3. SUPPORT FLEXIBLE DUCT FROM STRUCTURE. FLEXIBLE DUCT SHALL NOT KINK, SAG OR REST ON LIGHT FIXTURE, CEILING SUPPORT "TEES" OR CEILING TILE.  
4. EXTEND INSULATION AND OUTER JACKET OVER THE SECURE CLAMP/BAND AND TAPE DOWN TO SLEEVE/COLLAR TO MAINTAIN VAPOR BARRIER INTEGRITY. (TYPICAL)  
5. ALL DUCT INSULATION TO BE IECC REQUIRED MINIMUM OR BETTER.