

- KEYED NOTES:**
1. EXTEND AND CONNECT TO EXISTING WASTE LINE BELOW SLAB IN THIS AREA.
 2. CONNECT TO EXISTING WATER MAIN AND PROVIDE VALVE AND SUB-METER.
 3. PRIOR TO INSTALLING VTR VERIFY THAT THERE IS NOT ONE EXISTING TO CONNECT TO.

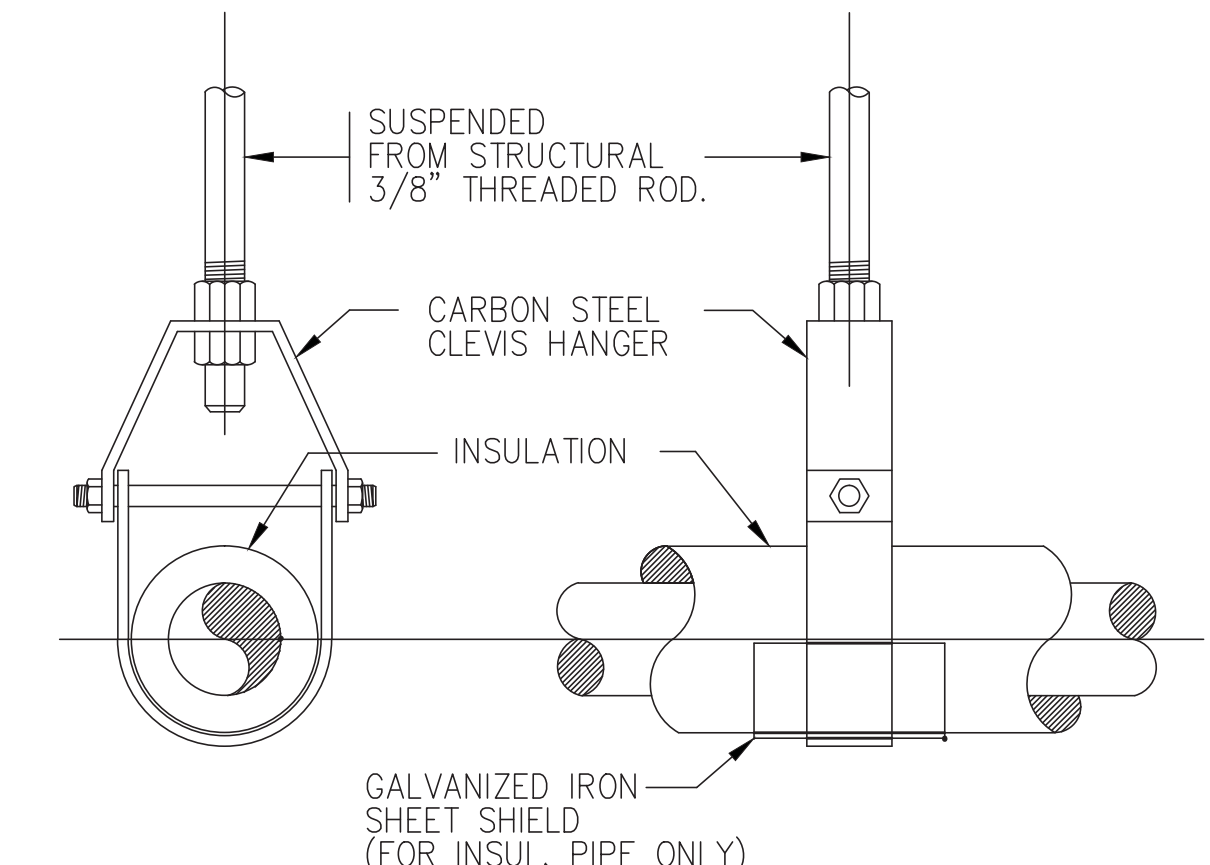
- GENERAL NOTES: PLUMBING**
- THE CONTRACTOR SHALL PAY FOR ALL FEES AND OBTAIN ALL PERMITS REQUIRED FOR WORK AS INDICATED ON THE PLANS.
 - PROVIDE ALL MATERIALS, LABOR, EQUIPMENT AND ANY OTHER INCIDENTALS ESSENTIAL FOR A COMPLETE AND OPERATIONAL INSTALLATION OF THE PLUMBING WORK SHOWN ON THE PLANS.
 - ALL PLUMBING WORK SHALL BE IN ACCORDANCE WITH THE LOCAL PLUMBING CODE, LOCAL BUILDING CODES, AND ADA REQUIREMENTS.
 - ALL LAVATORIES AND SINKS SHALL HAVE PROVISIONS FOR HANDICAP THAT MEET ADA REQUIREMENTS. PROVIDE WHEELCHAIR STRAINER AND WASTE PIPING AS MANUFACTURED BY MCGUIRE MANUFACTURING CO. COORDINATE REQUIREMENTS WITH LAVATORY SUPPLIER PRIOR TO ORDERING SAME.
 - WHERE PLANS SHOW FIXTURES WITHOUT PIPE SIZES, PROVIDE PIPING FOR WASTE, VENT & WATER (HOT & COLD) AS SHOWN FOR SIMILAR FIXTURES SHOWN ON THE PLANS. WHERE SIMILAR FIXTURES CAN NOT BE FOUND, PROVIDE PIPING TO COMPLY WITH APPLICABLE CODES, AND/OR AS REQUIRED TO MAKE FIXTURES OPERATIONAL. INCLUDE ALL COST IN CONTRACTOR'S BID.
 - ALL SANITARY WASTE LINES SHALL BE SCHE 40 PVC.
 - ALL FLOOR DRAINS SHALL HAVE 1/2" COLD WATER TRAP PRIMER CONNECTION AND PRIMER VALVE. PRIMER VALVE SHALL BE AUTOMATIC AND EQUAL TO JOSAM 88250 SERIES.
 - ALL SANITARY VENT LINES SHALL BE SCHEDULE 40 CPVC.
 - WATER LINES SHALL BE TYPE L COPPER TUBING.
 - THE GC IS TO REFER TO THE SHELL PACKAGE AND COORDINATE WITH THE SHELL GC FOR ALL EXISTING CONDITIONS.

1 FLOOR PLAN - PLUMBING
1/4" = 1'-0"

PIPE SIZING CHART

FIXTURE	CONNECTION SIZE			
	SANITARY	VENT	C.V.	H.W.
LAVATORY	2"	1-1/2"	1/2"	1/2"
WATER CLOSET	4"	*2"	3/4"	-
FLOOR DRAIN	2"	2"	**1/2"	-
SERVICE SINK	2"	1-1/2"	1/2"	1/2"
DRINKING FOUNTAIN	2"	1-1/2"	1/2"	-

* UNLESS NOTED OTHERWISE
** FROM PRIMER CONNECTION



2 PIPING HANGER
N.T.S.

- FIRE PROTECTION NOTES:**
- THIS FACILITY IS 100% SPRINKLED, CONTRACTOR SHALL MODIFY AND/OR ADD TO THE EXISTING SPRINKLER SYSTEMS TO INSURE THAT PROPOSED CONSTRUCTION CONTINUES TO COMPLY WITH NFPA-13 AND THE LOCAL FIRE MARSHALL REQUIREMENTS.

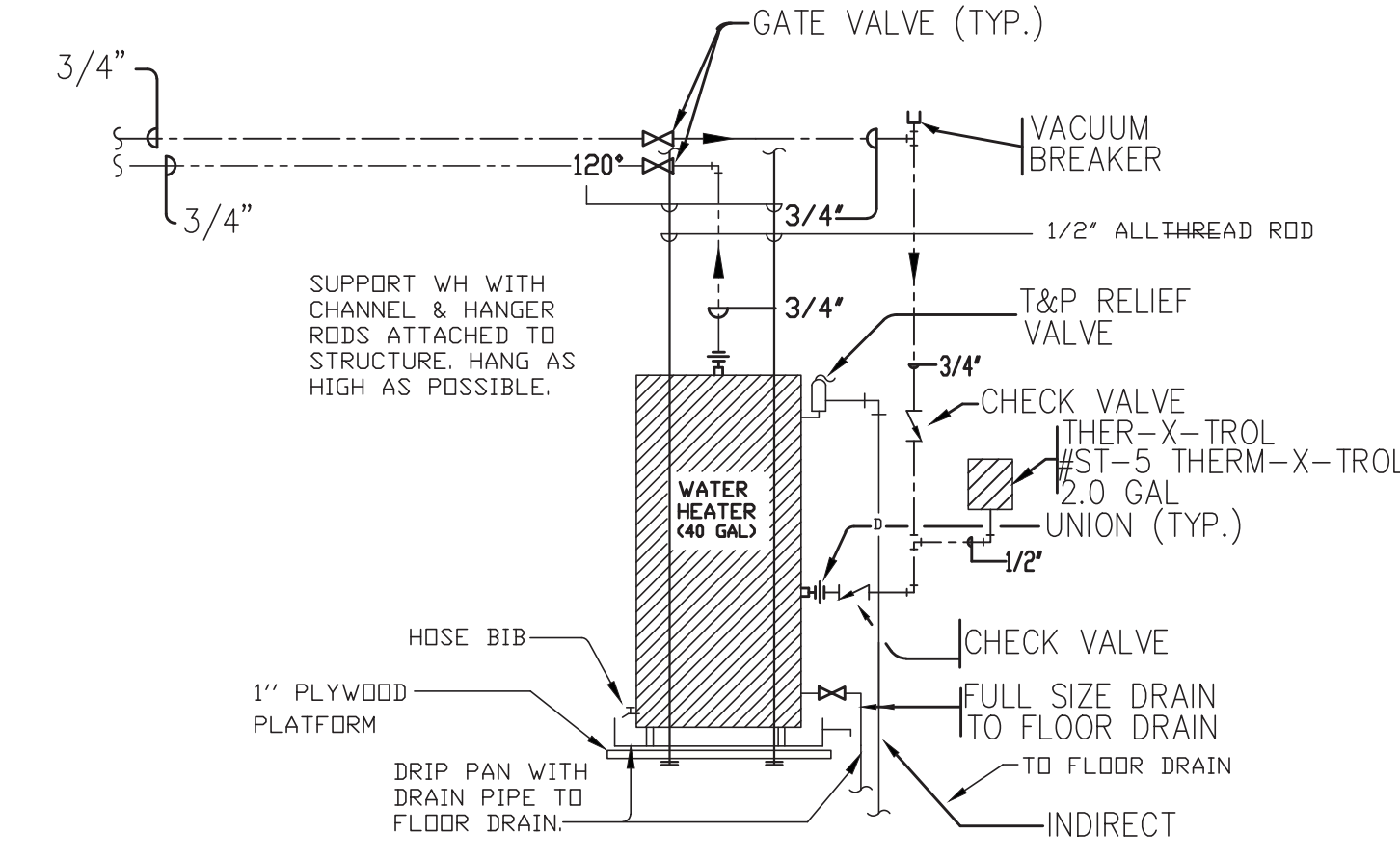
PLUMBING SYMBOLS & ABBREVIATIONS

SYMBOL	DESCRIPTION	SYMBOL	DESCRIPTION
(Symbol)	GATE VALVE	WC-1	WATER CLOSET (NO BENDS THRO)
(Symbol)	GLOBE VALVE	UR-1	URINAL
(Symbol)	MOTORIZED VALVE	L-1	LAVATORY
(Symbol)	PRESSURE REDUCING VALVE	S-1	SINK
(Symbol)	PRESSURE RELIEF VALVE	BS-1	BAR SINK
(Symbol)	ANGLE GATE VALVE	KS-1	KITCHEN SINK
(Symbol)	ANGLE GLOBE VALVE	LS-1	LAUNDRY SINK
(Symbol)	THREE WAY MOTORIZED VALVE	DF-1	DRINKING FOUNTAIN
(Symbol)	CHECK VALVE	EP-1	ELEC. BRKING FOUNTAIN
(Symbol)	GAS COCK	BT-1	BATH TUB
(Symbol)	GAUGE COCK	SH-1	SHOWER
(Symbol)	TEMP. PRESSURE RELIEF VALVE	FD-1	FLOOR DRAIN
(Symbol)	PRESSURE GAUGE	RP-1	ROOF DRAIN
(Symbol)	STRAINER	WHT-1	WALL HYDRANT
(Symbol)	UNION	HB-1	HOSE BIB
(Symbol)	HOSE BIB OR WALL HYDRANT	WH-1	WATER HEATER
(Symbol)	BS & Y VALVE	HD-1	HUB DRAIN
(Symbol)	FLOOR OR DRAIN CLEAN-OUT	W	WASHER
(Symbol)	CLEAN-OUT (ON HORIZ. OR VERT.)	DV	DISHWASHER
(Symbol)	SANITARY SEWER	TD	TRENCH DRAIN
(Symbol)	SEWER PIPE TO GREASE TRAP	SD	SECONDARY DRAIN (STORM)
(Symbol)	STORM SEWER		
(Symbol)	FIRE LINE		
(Symbol)	COLD WATER		
(Symbol)	HOT WATER		
(Symbol)	HOT WATER RETURN		
(Symbol)	VENT LINE		
(Symbol)	DIRECTION OF SLOPE		
(Symbol)	FLOW DIRECTION		
(Symbol)	GAS LINE		

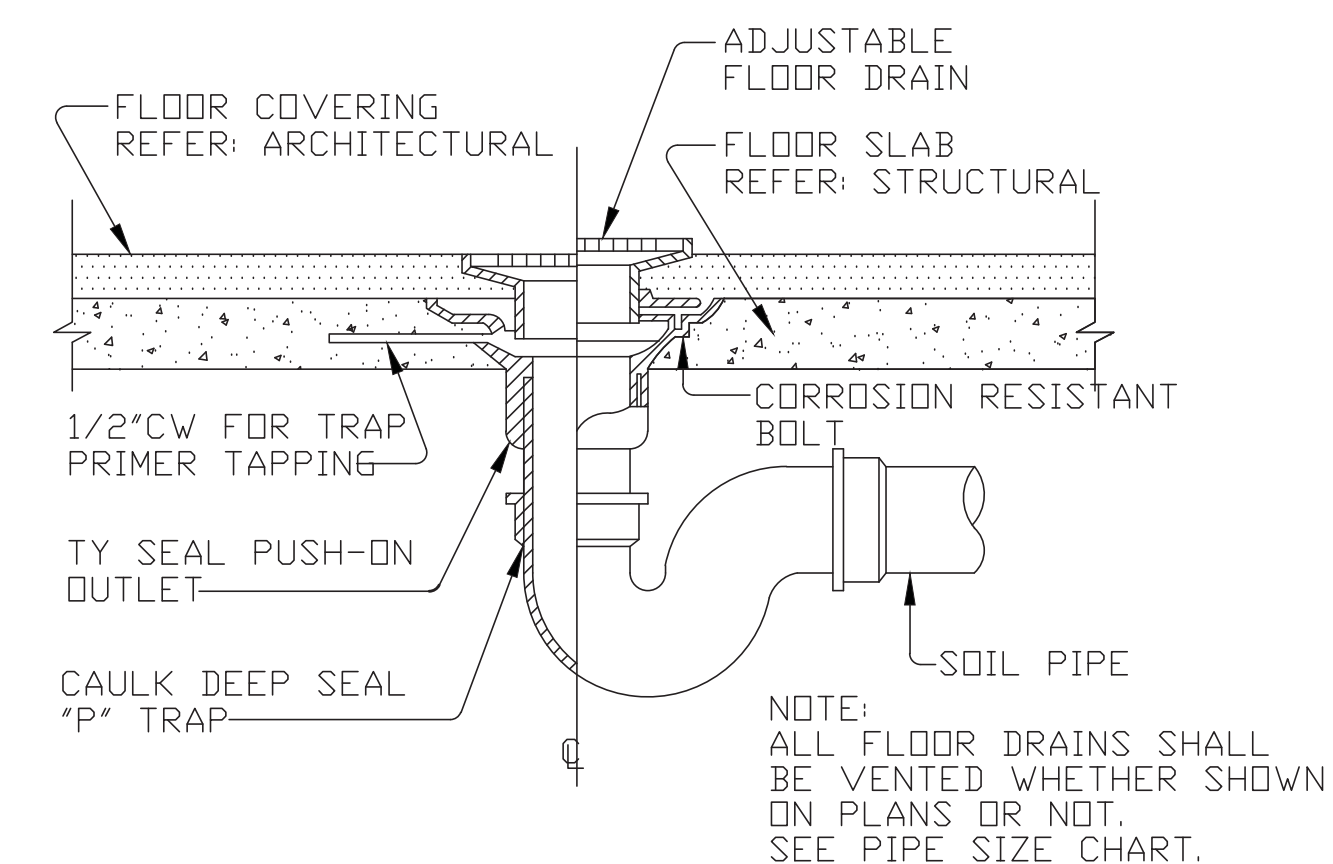
NOTE: ALL OF THESE SYMBOLS MAY NOT APPEAR ON THE PLANS

PLUMBING FIXTURES

MARK	DESCRIPTION
CO-1	CLEAN OUT, J.B. SMITH #4424-U, CAST IRON BODY WITH TAPER THREAD BRONZE PLUG SQUARE NICKEL BRONZE ACCESS PANEL WITH VANDAL PROOF SCREWS.
EDF-1	ELKAY REZTLEC SELF-CONTAIN. WALL HANG ELECTRIC DRINKING FOUNTAIN, CHILLING WATER TO 50°F FROM INLET OF 80°F AND 90°F AMBIENT.
FD-1	FLOOR DRAIN, J.B. SMITH #2005-A-JI-P, CAST IRON BODY WITH NICKEL BRONZE TOP WITH SECURED GRATE, VANDAL PROOF SCREWS.
L-1	LAVATORY AMR. STANDARD # 0355.012 LUCERNE LAVATORY REAR OVERFLOW, SOAP DISPENSER FAUCET LEVER AND CONCEALED ARM SUPPORTS. PROVIDE AMR. STD. #7465.12V LAVATORY FAUCET WITH KRIST BLADE ADA APPROVED HANDLES. PROVIDE SUPPLY PIPES AS RECOMMENDED BY AMR. STD. AND P-TRAP AS NOTED IN GENERAL NOTES.
SS-1	SERVICE MOLDED STONE MSB 24-24 FIBERGLASS REINFORCED POLYESTER HDP SINK, PROVIDE DRAIN FROM P-CONNECTION, PROVIDE AMERICAN STANDARD #824.111 FAUCET WITH TOP BRACE AND VACUUM BREAKER.
WC-1	WATER CLOSET, AMR. STD. #2467.016 GLOBE COUPLED TOILET 1 1/2 GPF, HIGH ELONGATED COMBINATION BOWL AND TANK TOILET FOR THE HANDICAP. WATER SAVER TOILET VITREOUS CHINA, WITH SIPHON - JET FLUSHING ACTION. LOCATE HANDLE ON WIDE CLEARANCE SIDE OF WATER CLOSET. PROVIDE DLSIDNITE OPEN FRONT SEAT.
WH-1	ELECTRIC WATER HEATER, RHEEM EGS10, 10 GAL. CAPACITY 2,000 WATTS ELEMENT OPERATION.



3 WATER HEATER DETAIL
SCALE: N.T.S.
WATER HEATER SUSPENDED ABOVE CEILING



4 FLOOR DRAIN
SCALE: N.T.S.

GNC
CROSSROADS MALL
 GREENVILLE, TEXAS
GREENVILLE PROPERTIES LTD.
 GREENVILLE, TEXAS

DATE	6/17/2014
PROJECT NO.	06-14-01
DRAWN BY	



P-1
FLOOR PLAN
PLUMBING