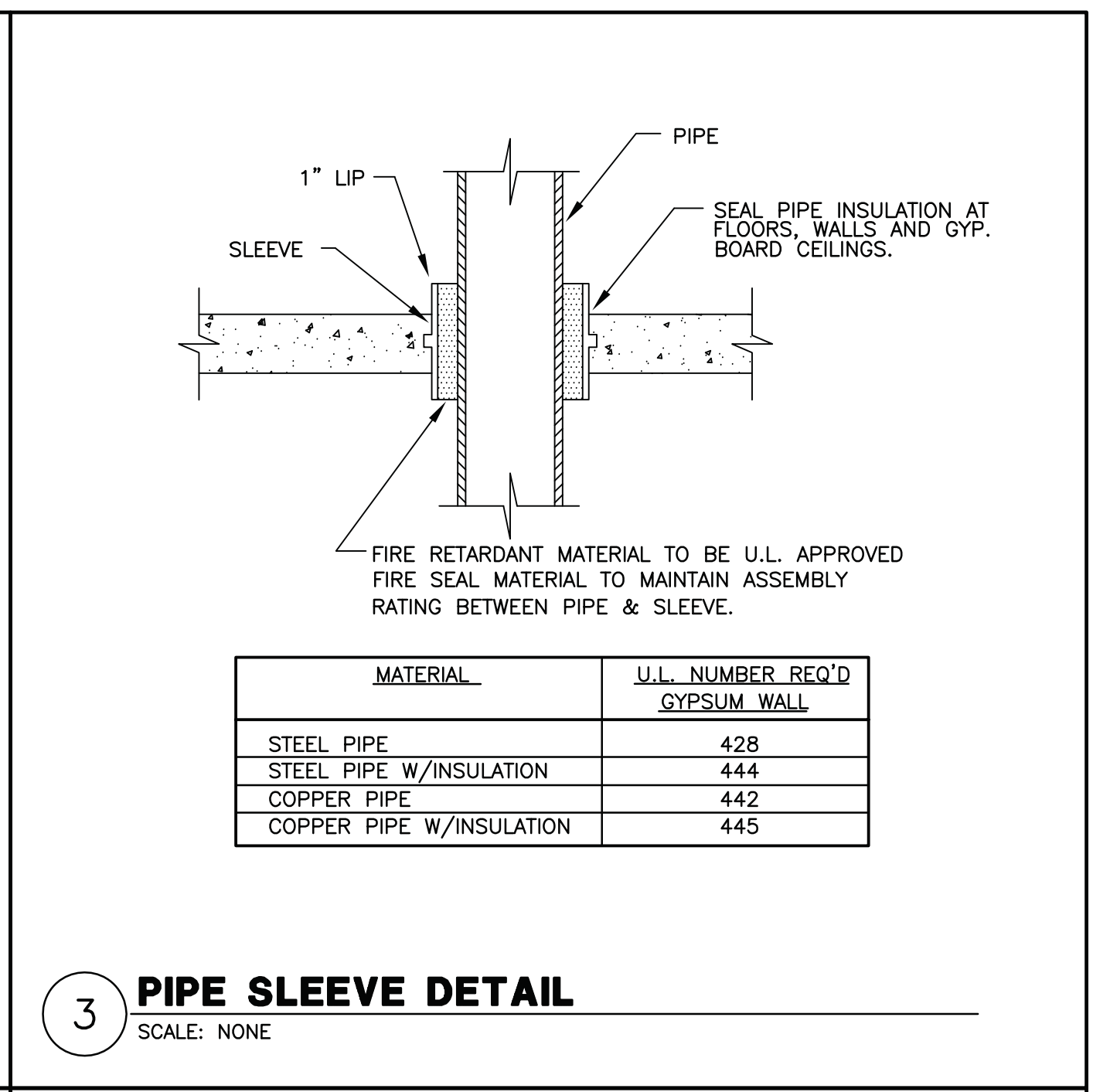
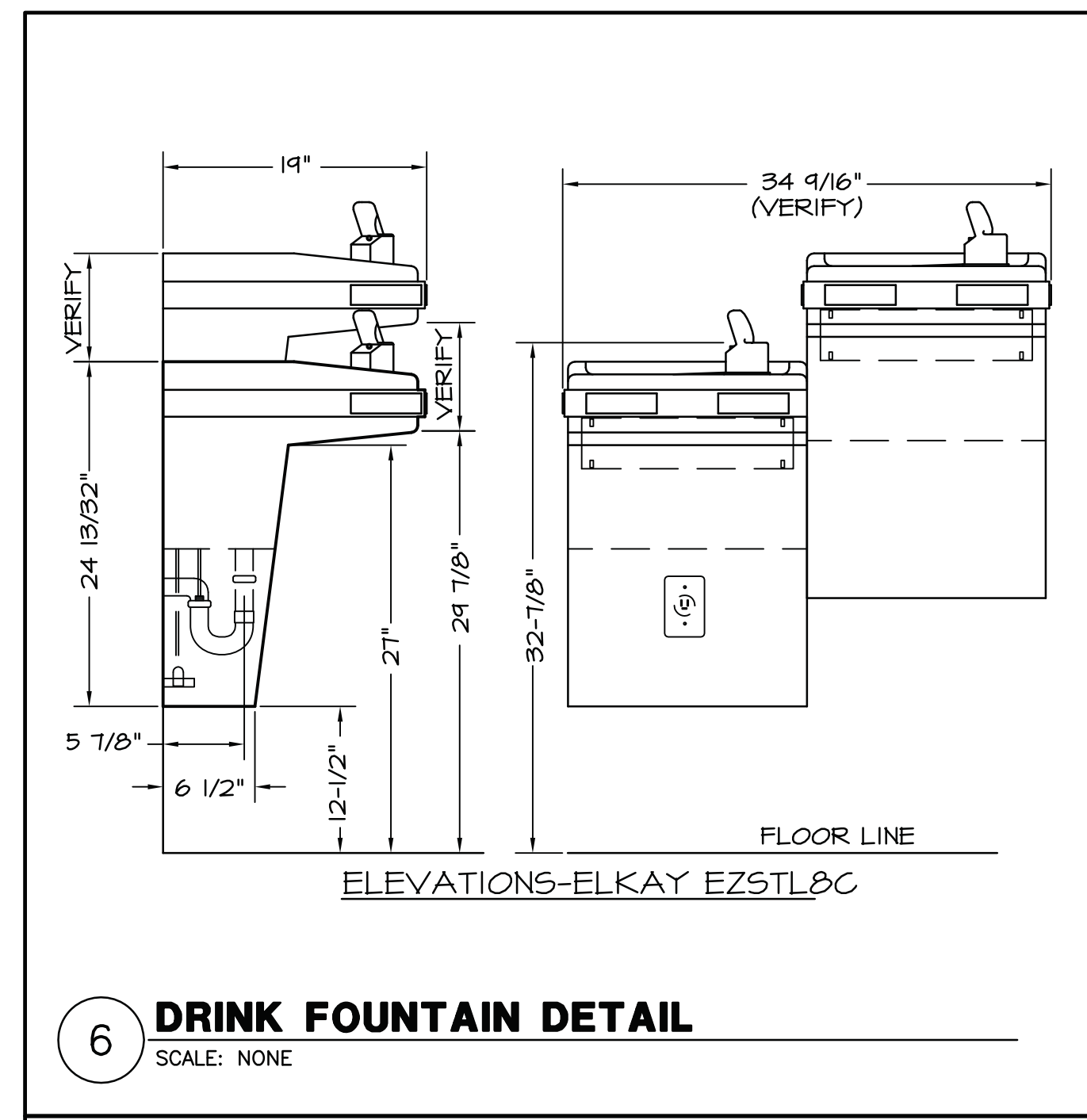




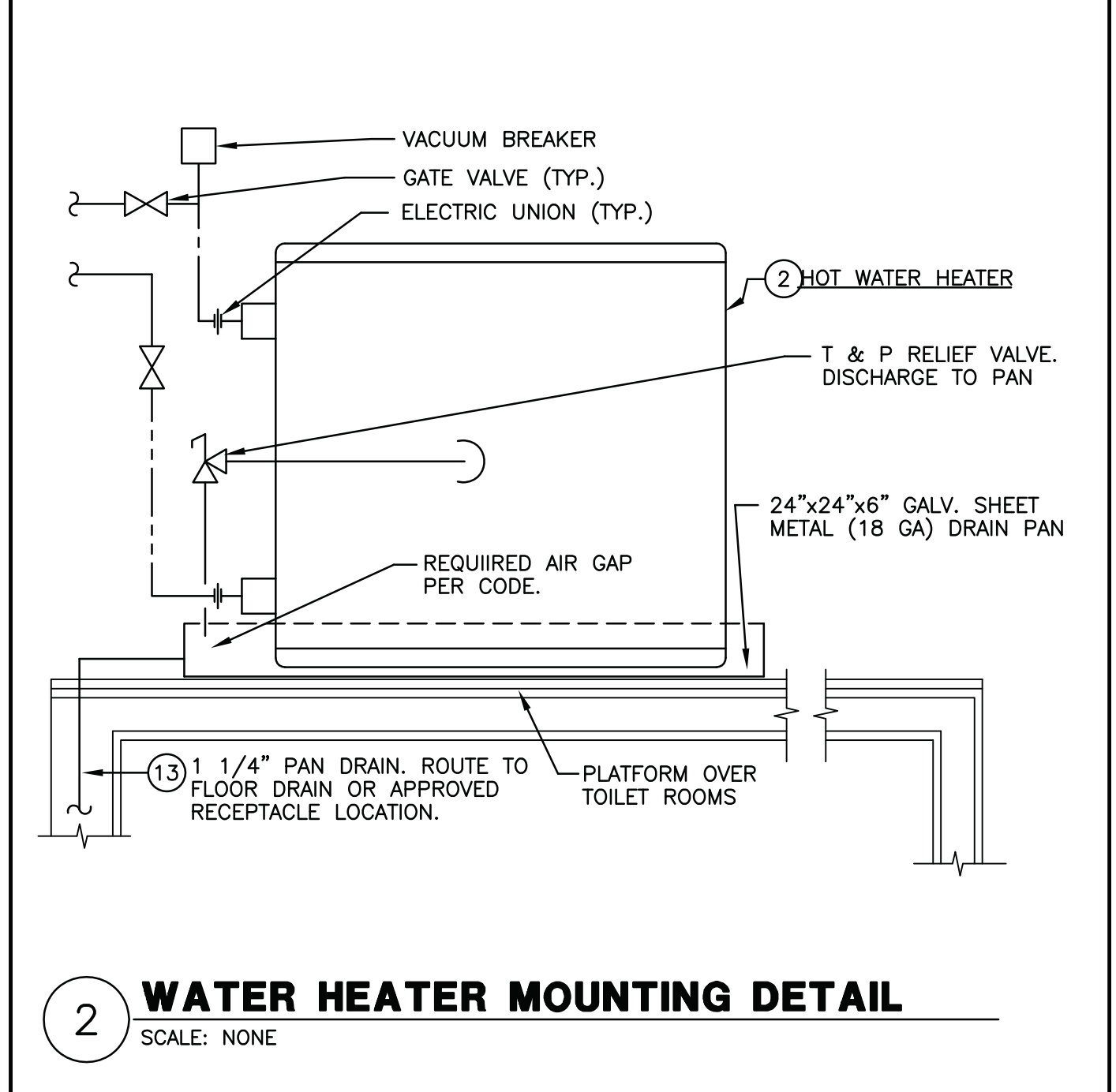
DATE	10/14/2013
PROJECT NO.	08-13-07
DRAWN BY	



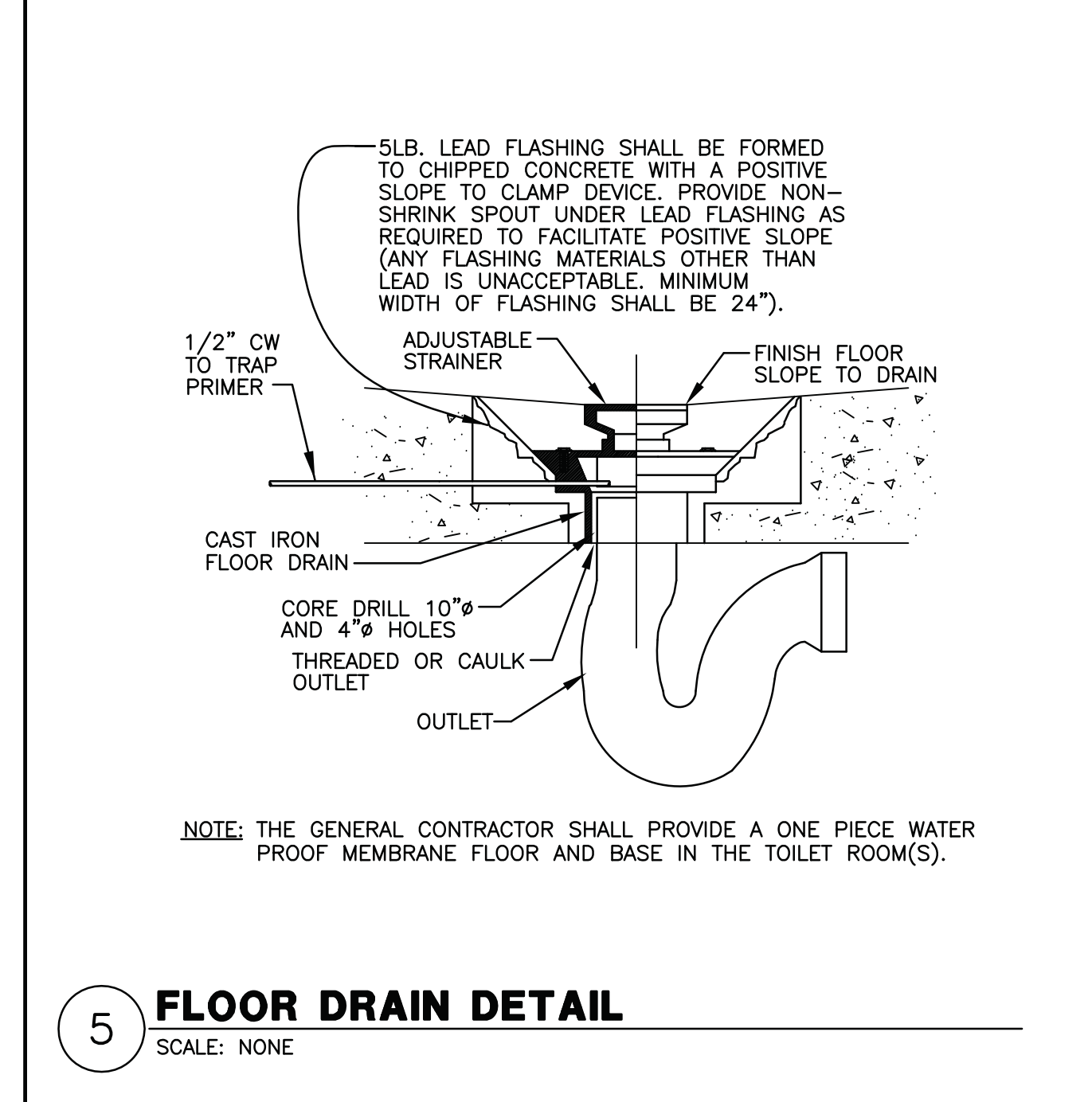
3 PIPE SLEEVE DETAIL  
SCALE: NONE



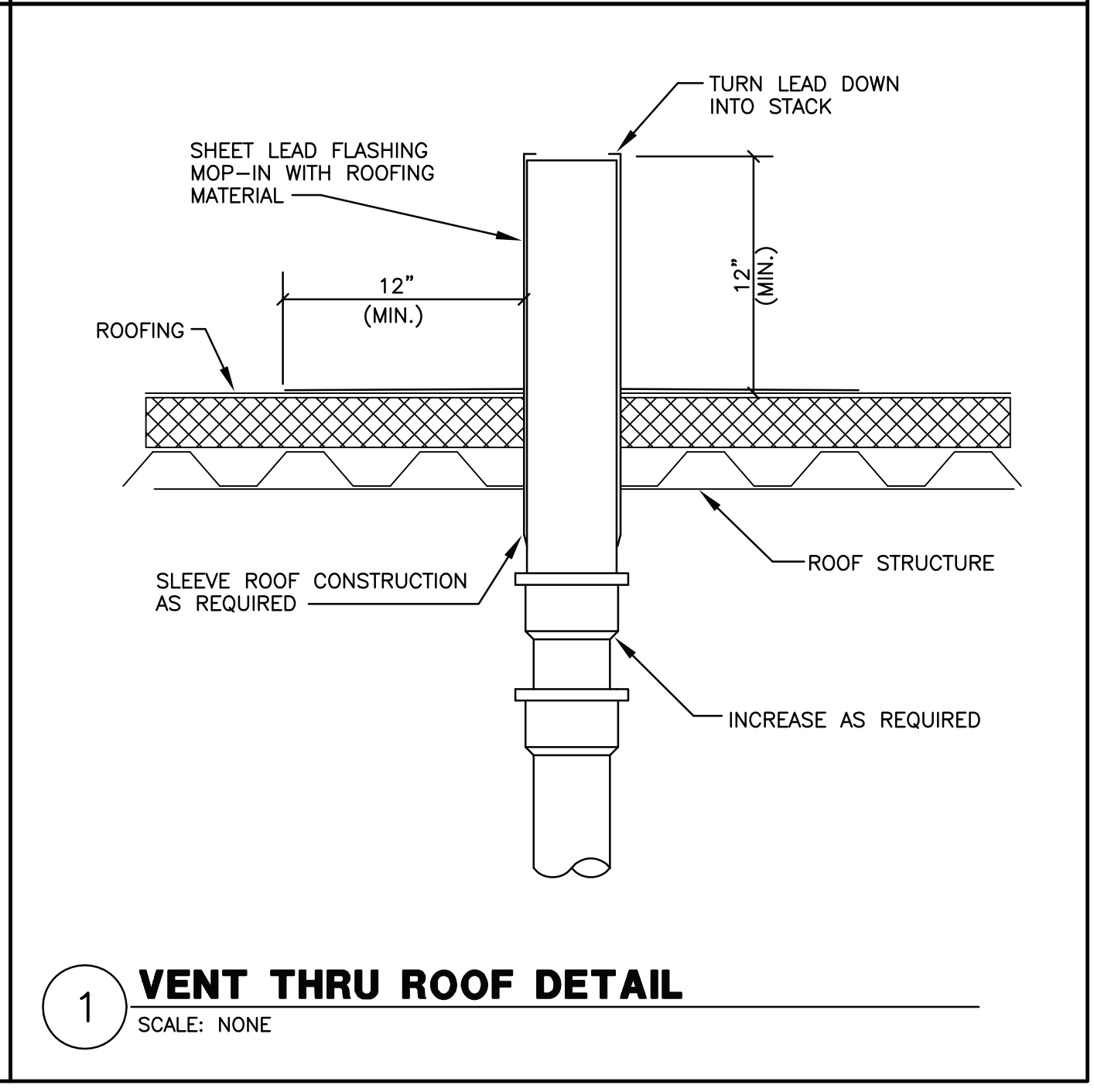
6 DRINK FOUNTAIN DETAIL  
SCALE: NONE



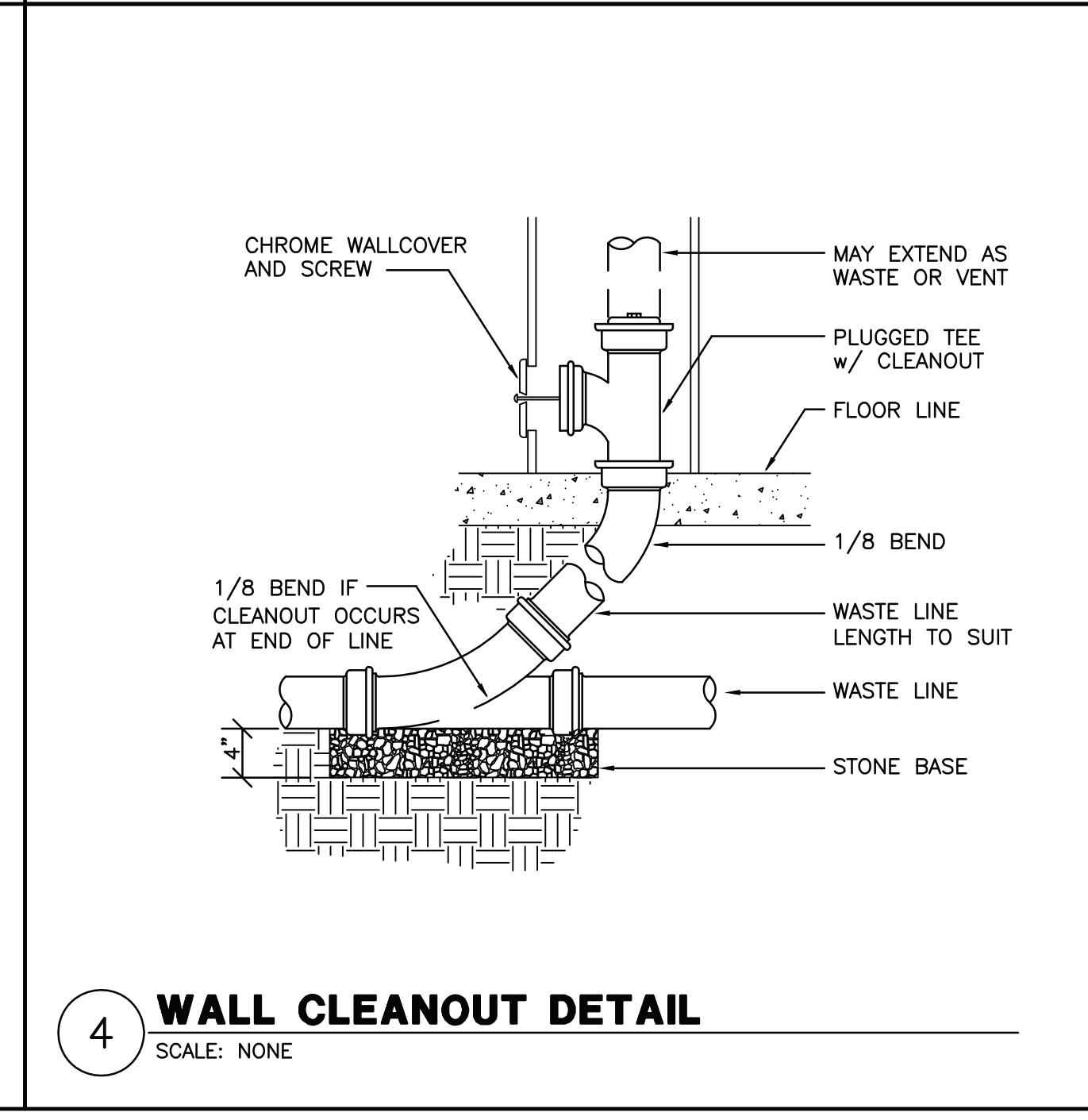
2 WATER HEATER MOUNTING DETAIL  
SCALE: NONE



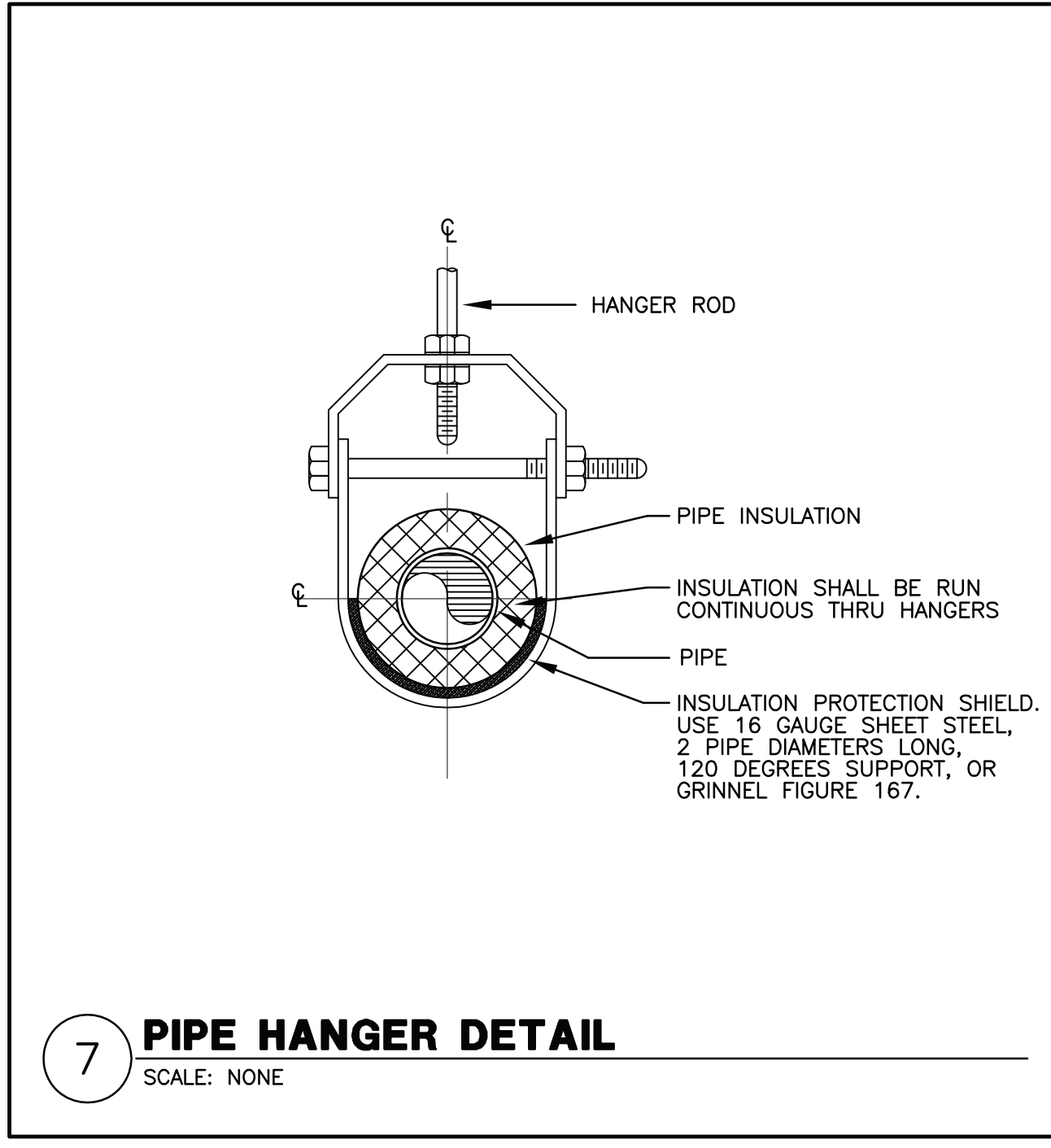
5 FLOOR DRAIN DETAIL  
SCALE: NONE



1 VENT THRU ROOF DETAIL  
SCALE: NONE



4 WALL CLEANOUT DETAIL  
SCALE: NONE



7 PIPE HANGER DETAIL  
SCALE: NONE