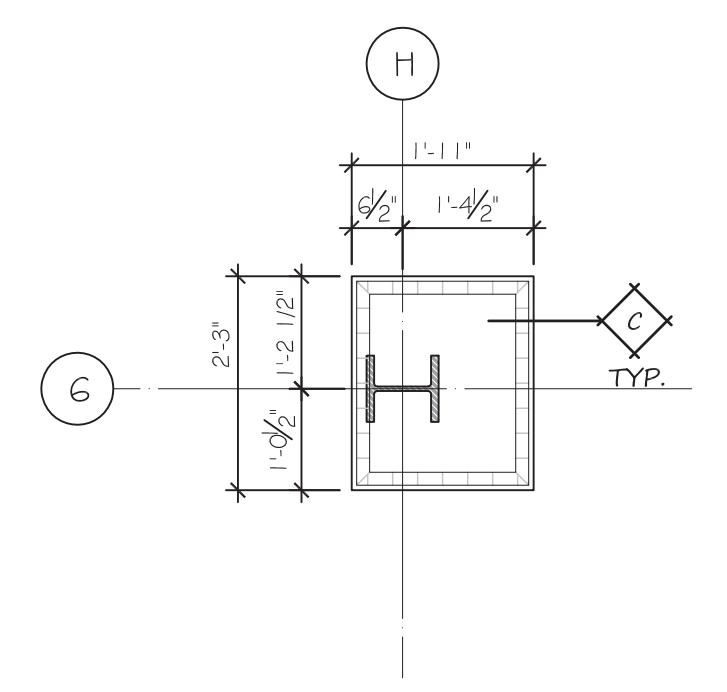




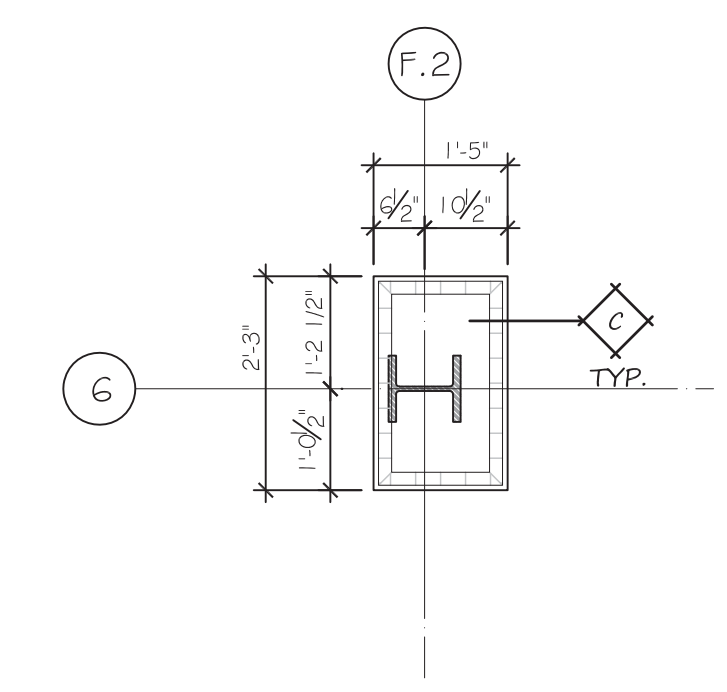
DATE	1/20/2015
PROJECT NO.	05-12-06
DRAWN BY	

ENLARGED
PLANS

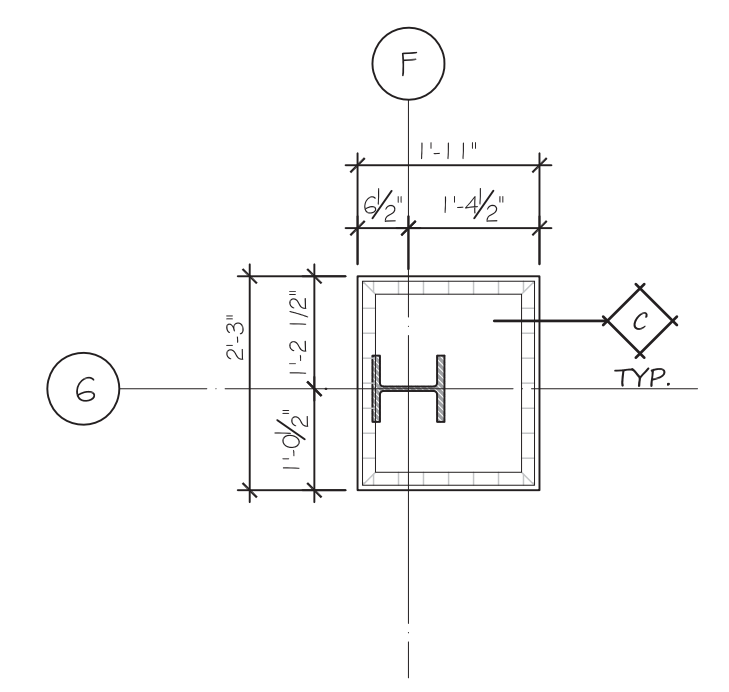
A2-2



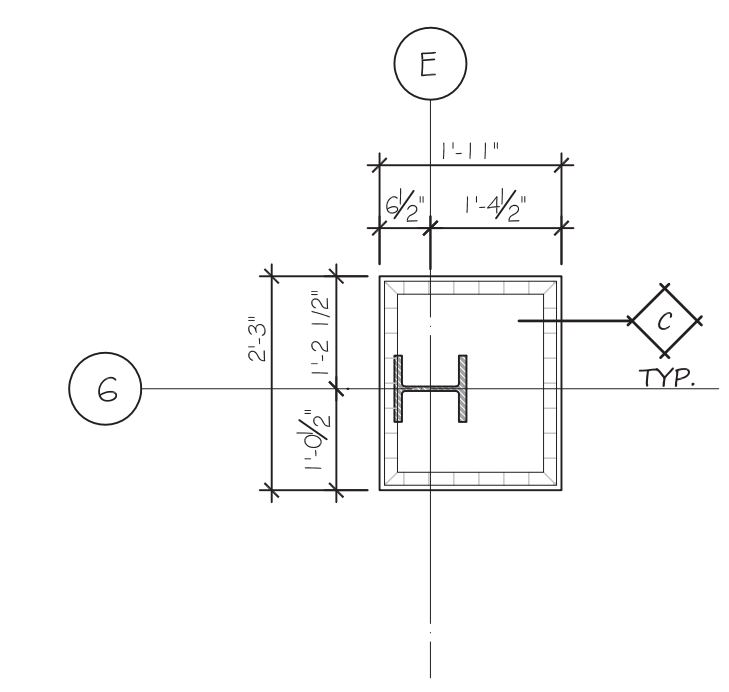
1 PLAN DETAIL
A2-2 SCALE: 1/2" = 1'-0"



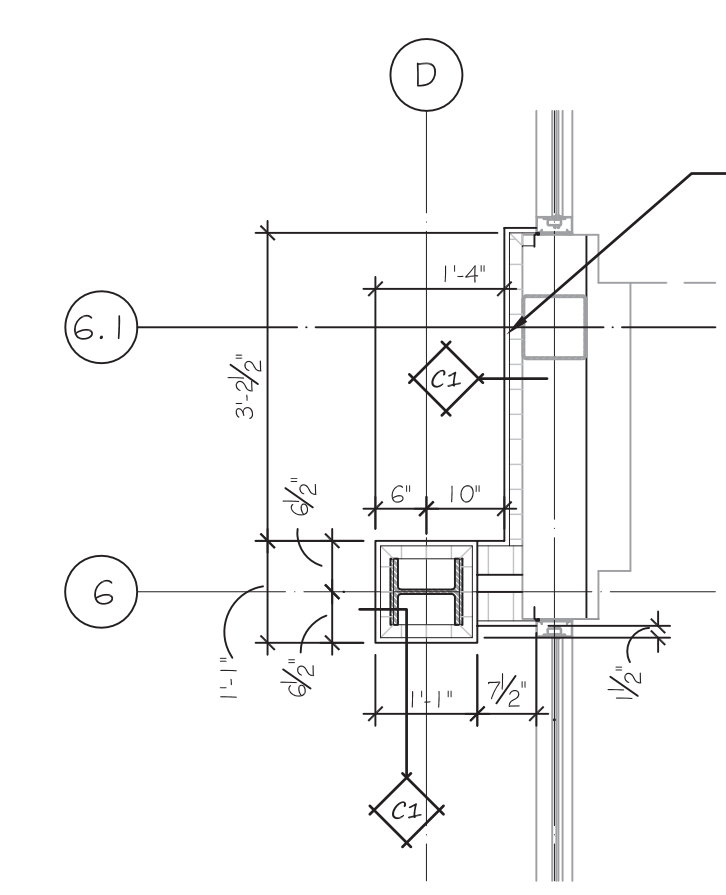
2 PLAN DETAIL
A2-2 SCALE: 1/2" = 1'-0"



3 PLAN DETAIL
A2-2 SCALE: 1/2" = 1'-0"

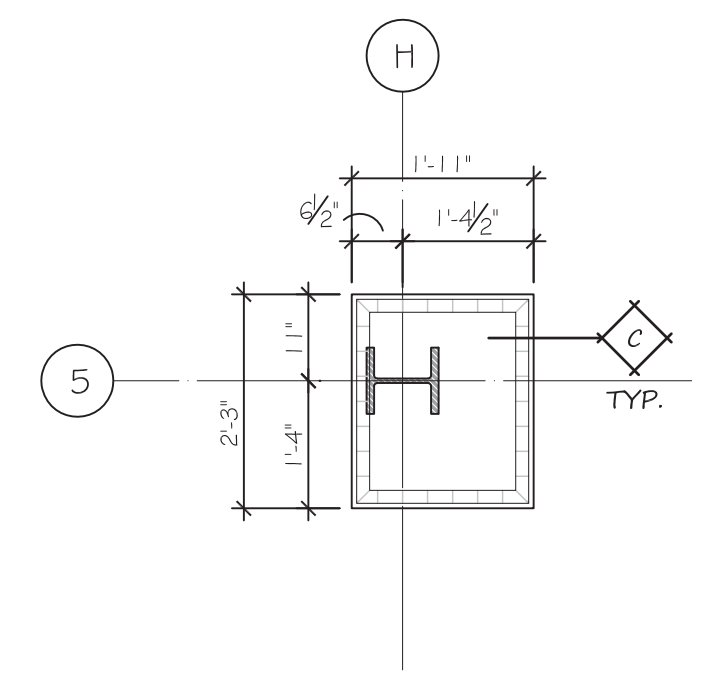


4 PLAN DETAIL
A2-2 SCALE: 1/2" = 1'-0"

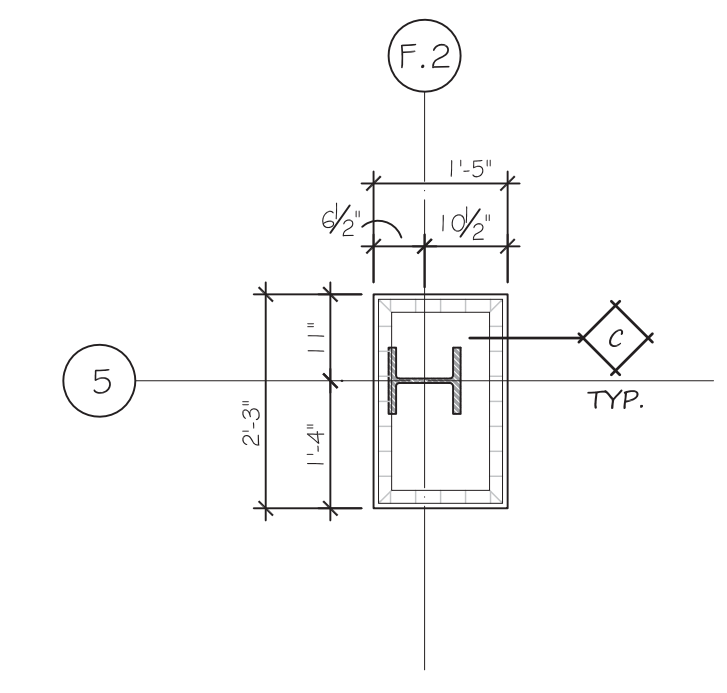


5 PLAN DETAIL
A2-2 SCALE: 1/2" = 1'-0"

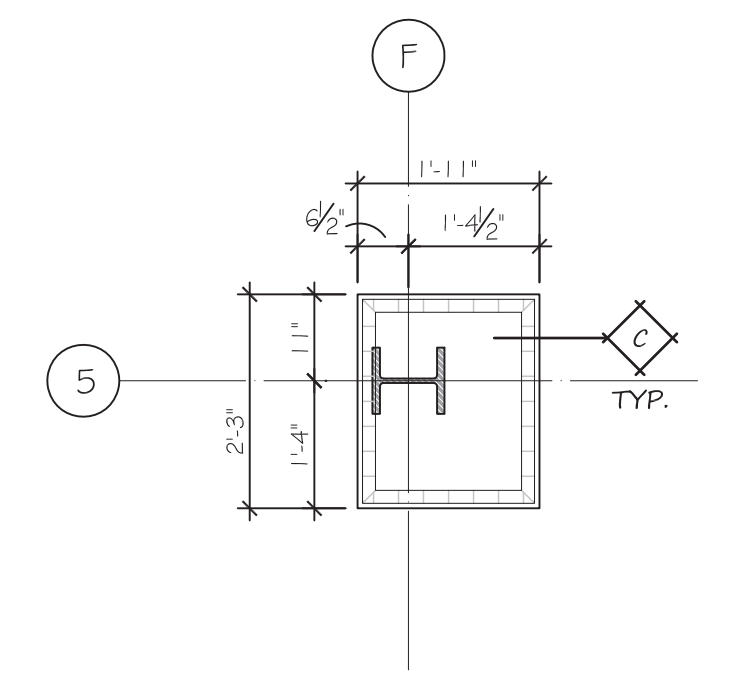
5/8" TYPE 'X' GYPSUM BOARD ON 1/2" METAL STUDS @ 16" O.C. (MAX.) ON EXISTING STUD WALL



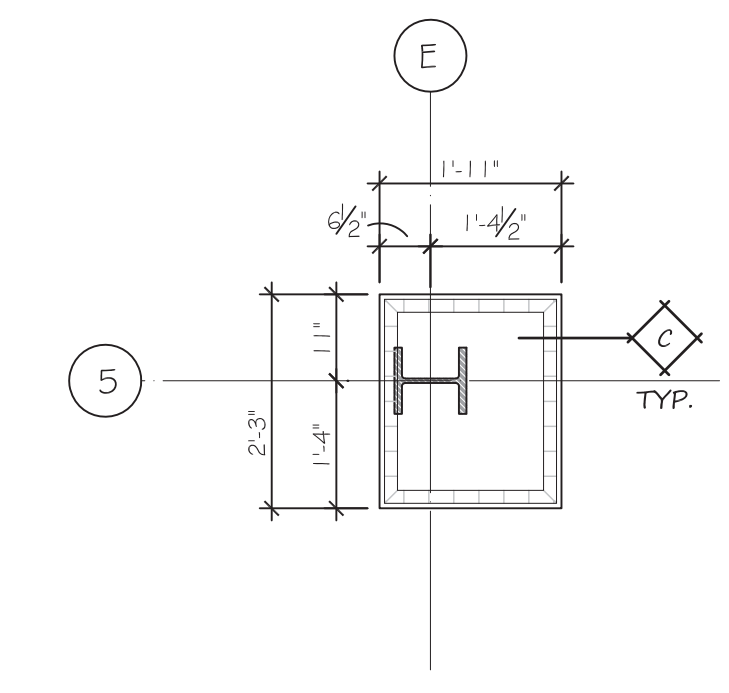
6 PLAN DETAIL
A2-2 SCALE: 1/2" = 1'-0"



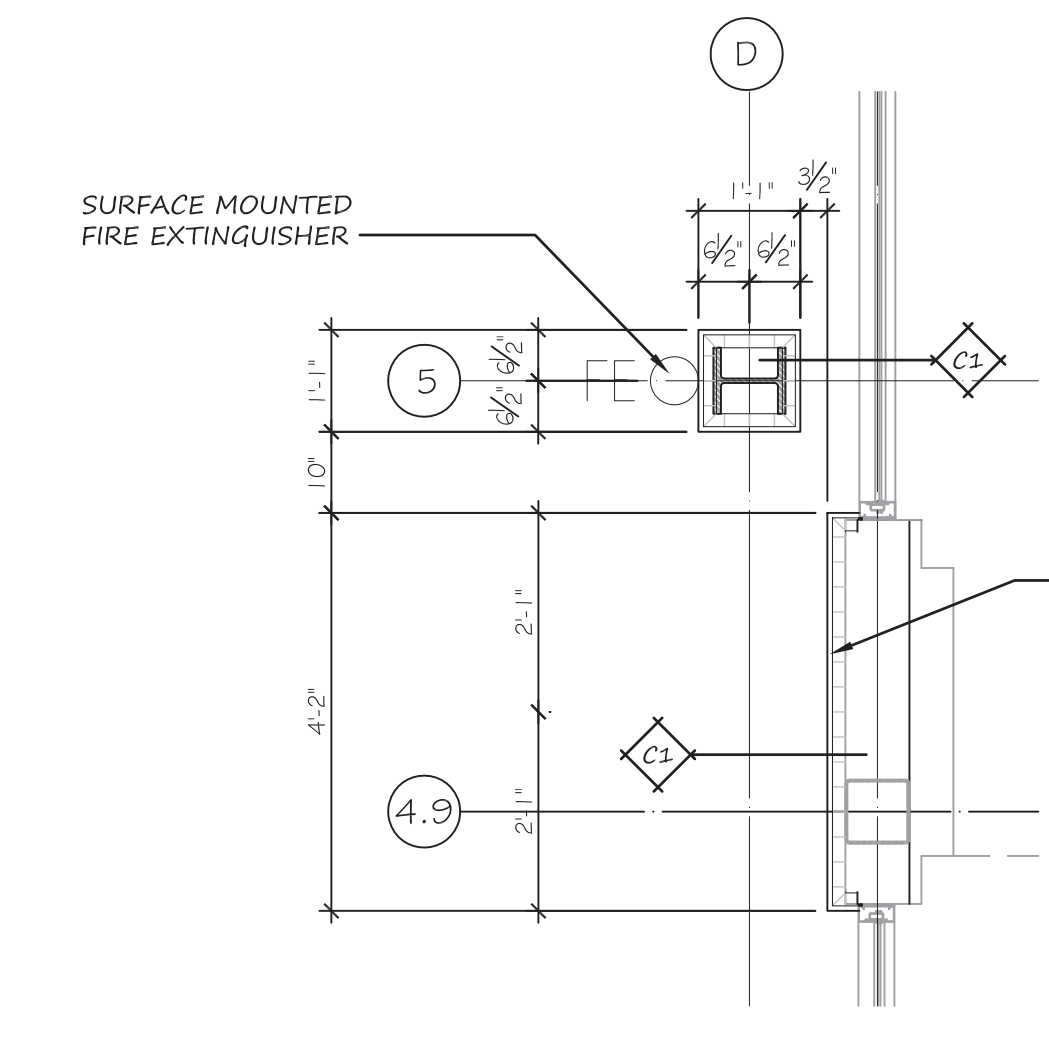
7 PLAN DETAIL
A2-2 SCALE: 1/2" = 1'-0"



8 PLAN DETAIL
A2-2 SCALE: 1/2" = 1'-0"



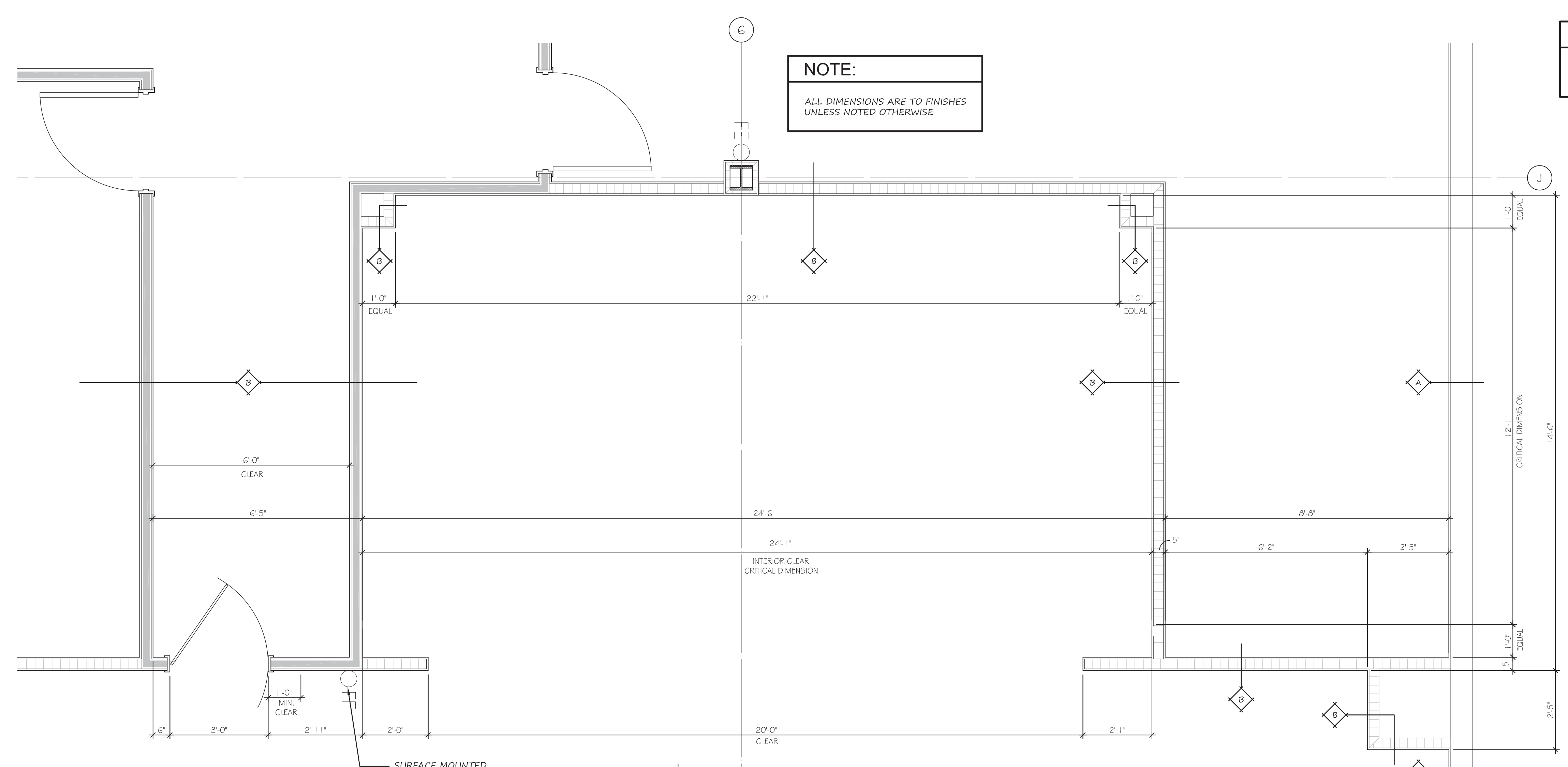
9 PLAN DETAIL
A2-2 SCALE: 1/2" = 1'-0"



10 PLAN DETAIL
A2-2 SCALE: 1/2" = 1'-0"

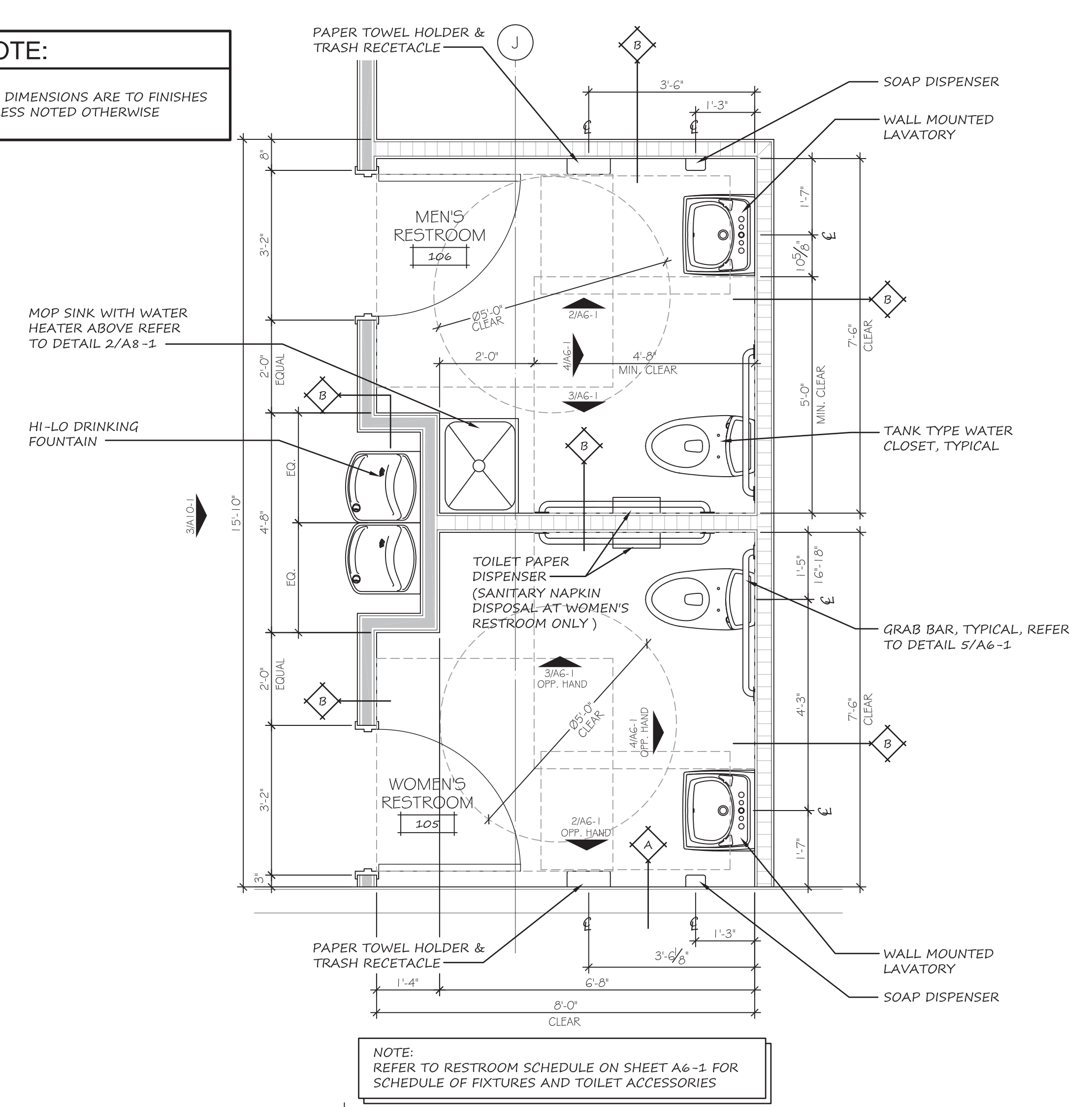
5/8" TYPE 'X' GYPSUM BOARD ON 1/2" METAL STUDS @ 16" O.C. (MAX.) ON EXISTING STUD WALL

SURFACE MOUNTED FIRE EXTINGUISHER



11 PLAN DETAIL AT CLEARANCE
A2-2 SCALE: 1/2" = 1'-0"

NOTE:
ALL DIMENSIONS ARE TO FINISHES UNLESS NOTED OTHERWISE



12 PLAN DETAIL AT RESTROOMS
A2-2 SCALE: 1/2" = 1'-0"

NOTE:
REFER TO RESTROOM SCHEDULE ON SHEET A6-1 FOR SCHEDULE OF FIXTURES AND TOILET ACCESSORIES

Z:\8-12-000-CRM\02-DRAWINGS\03-PLAN - ENCORE\A2-2 ENLARGED PLANS.DWG 1/16/2015 3:08:05 PM AEP