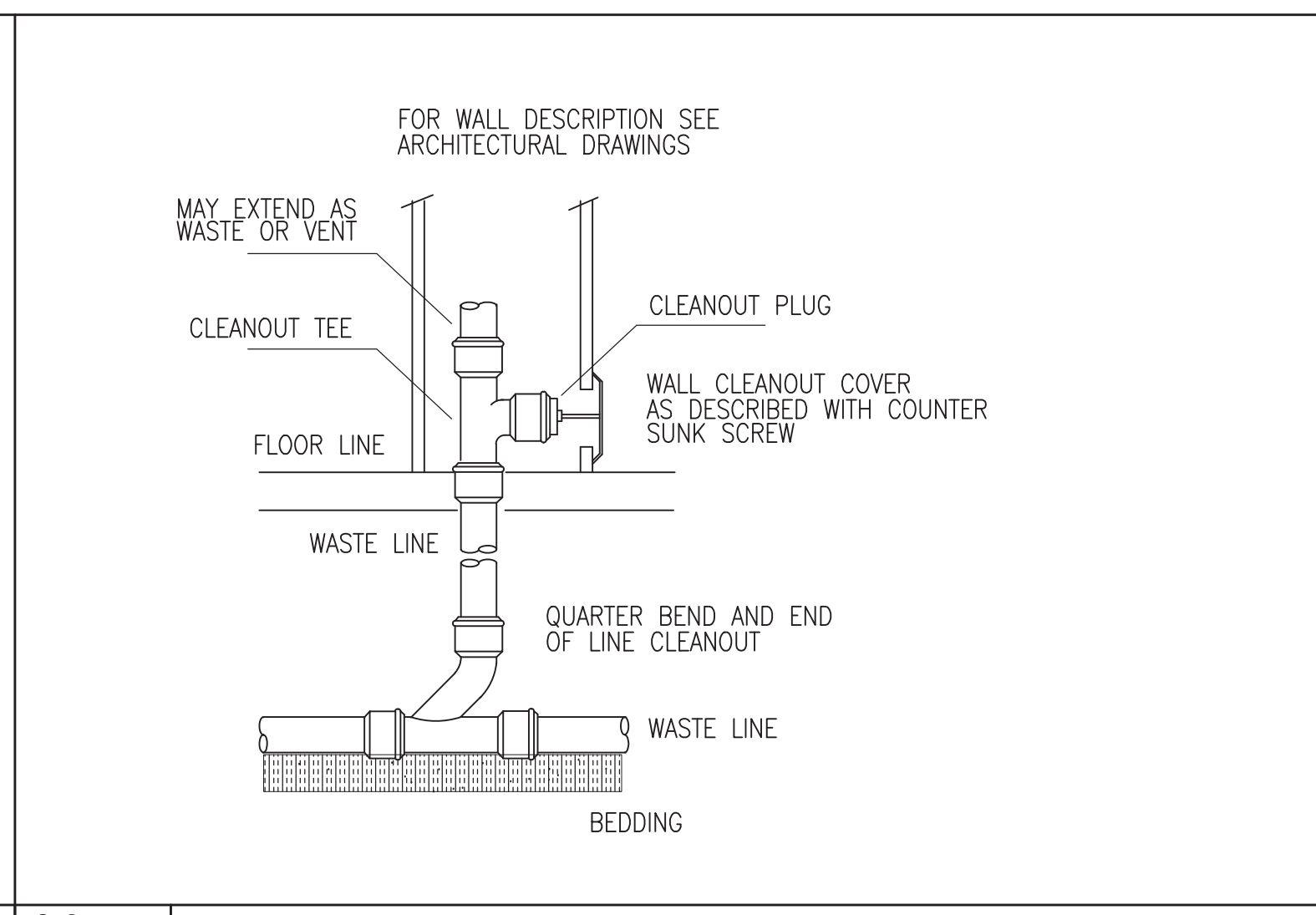
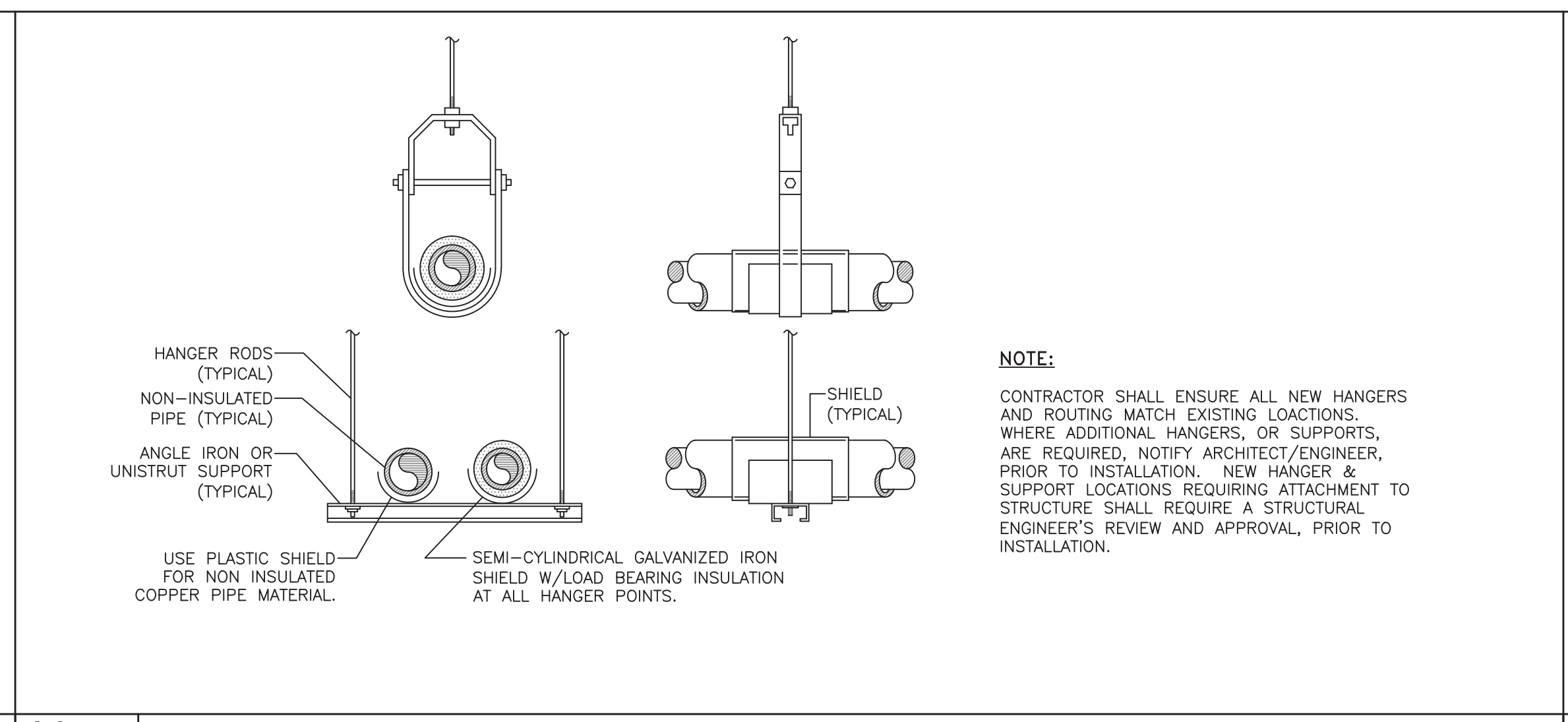


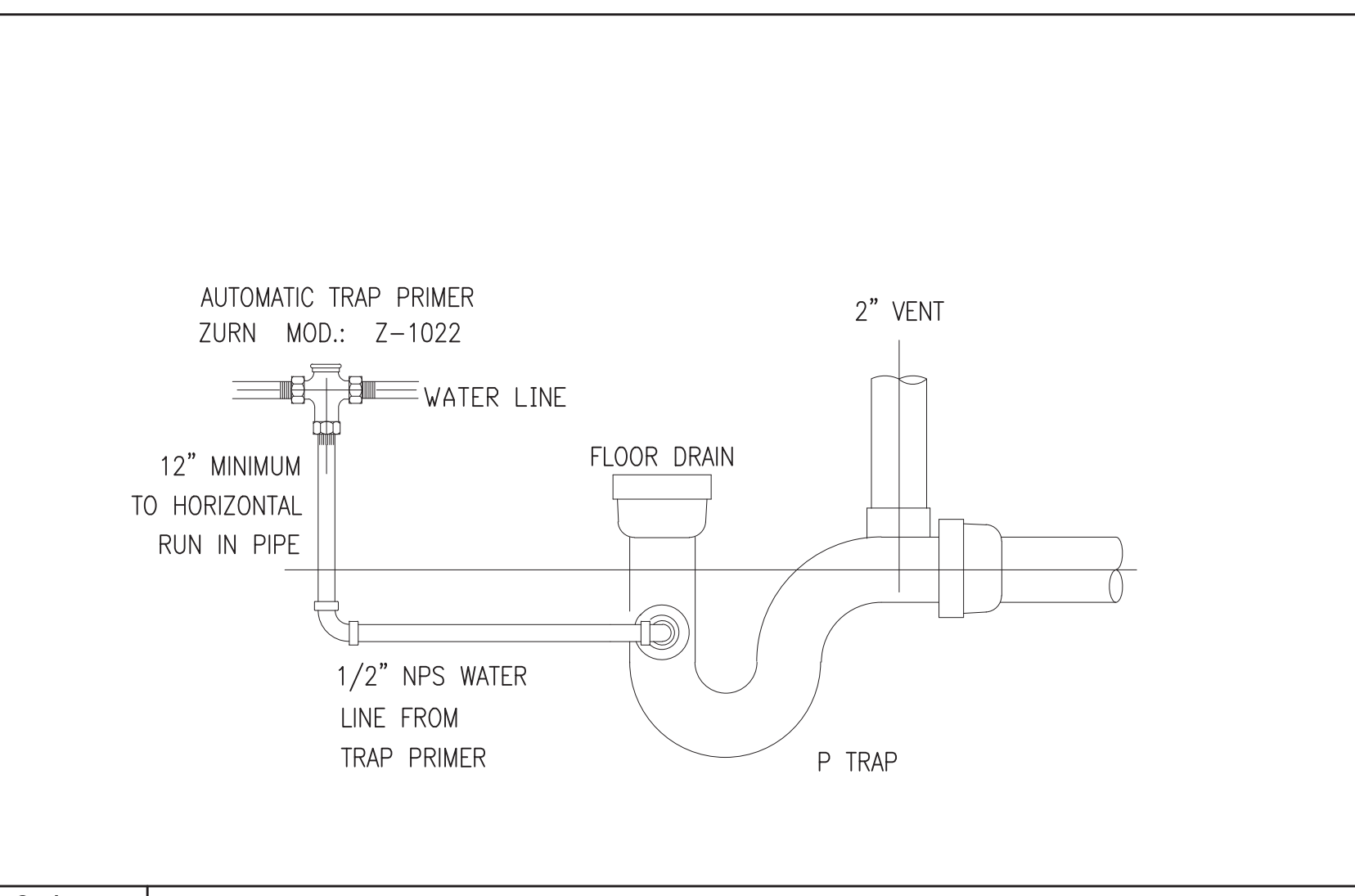
01 VENT THROUGH ROOF
NOT TO SCALE



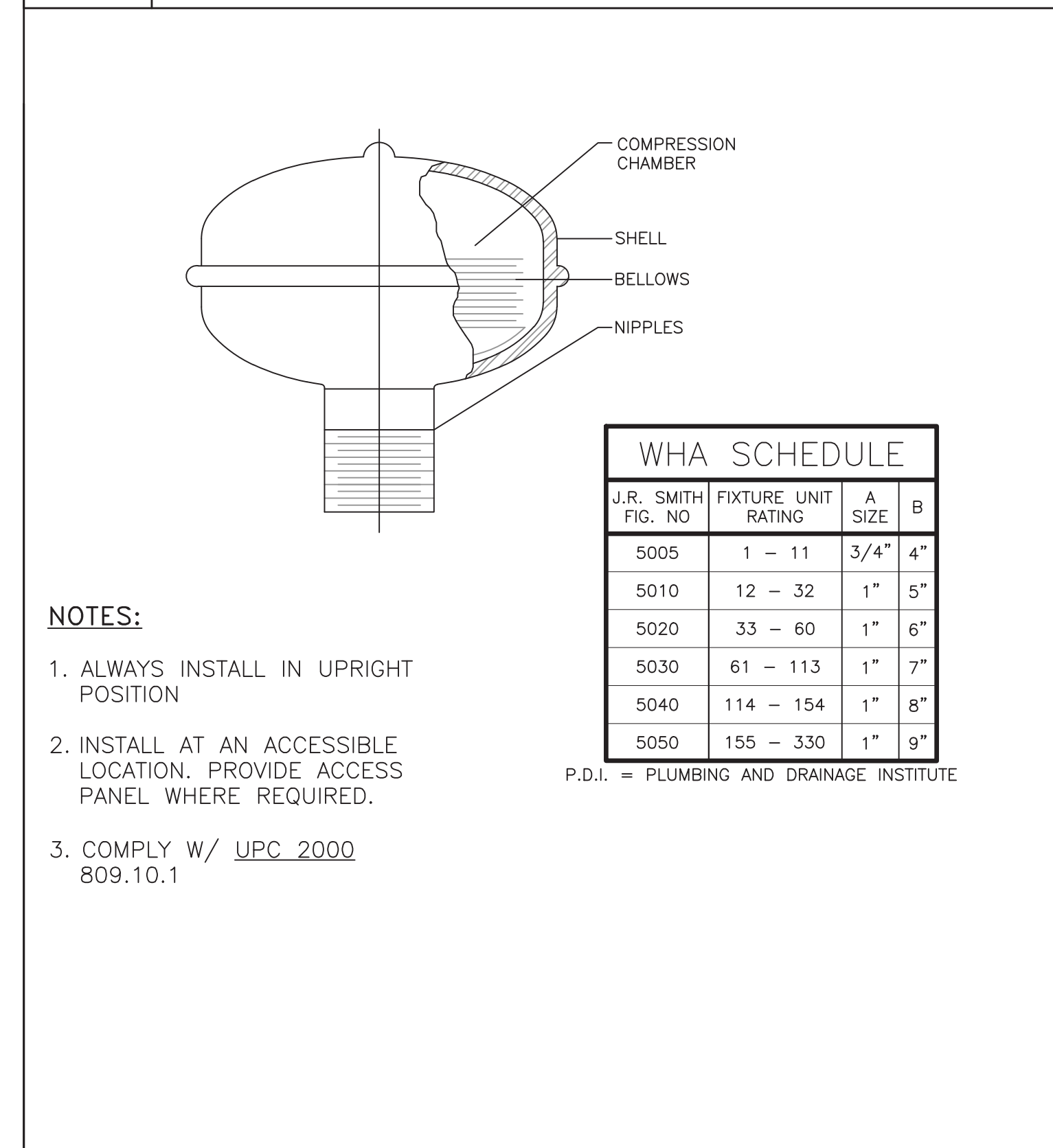
02 WALL CLEANOUT DETAIL
NOT TO SCALE



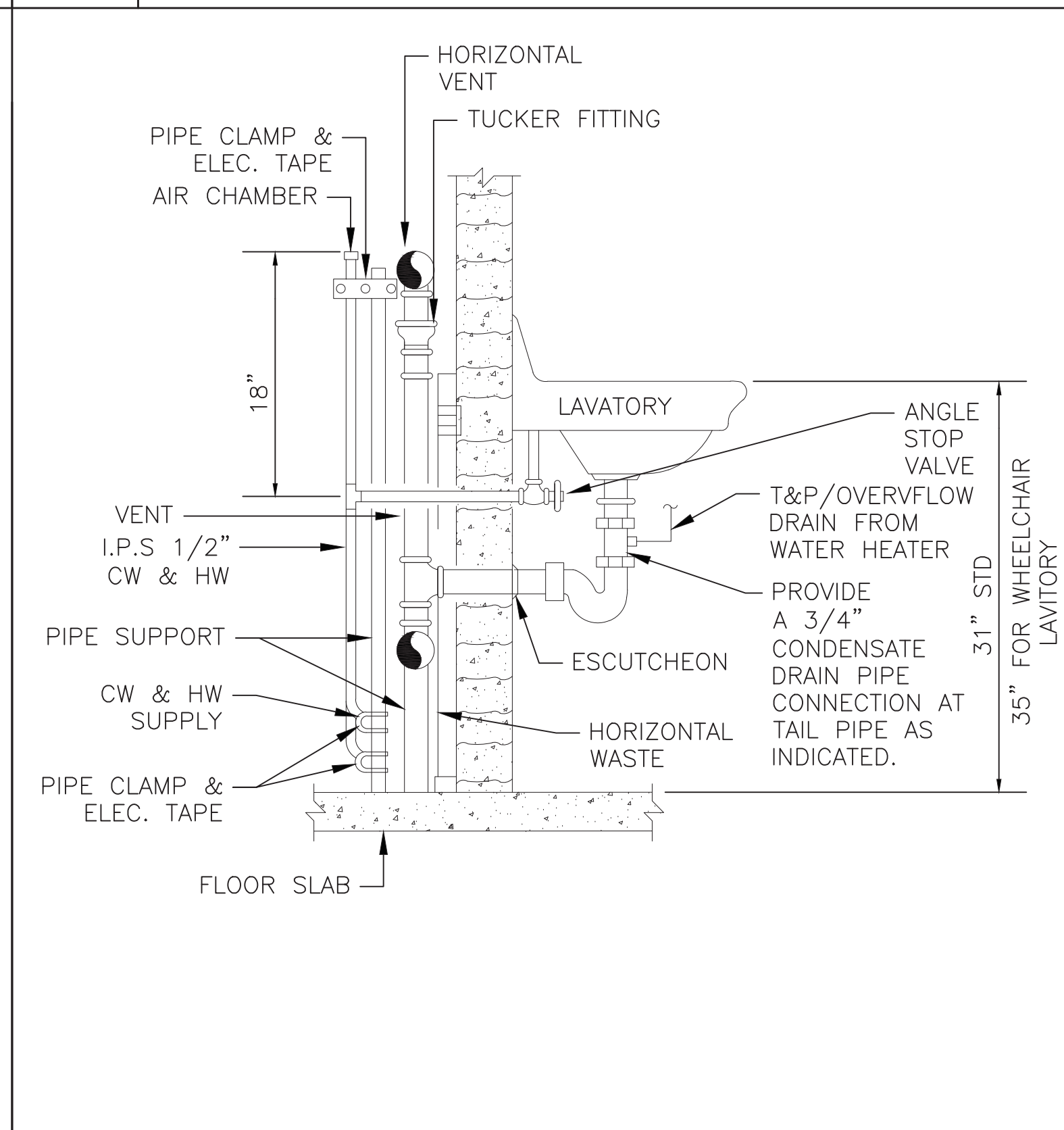
03 PIPE HANGER
NOT TO SCALE



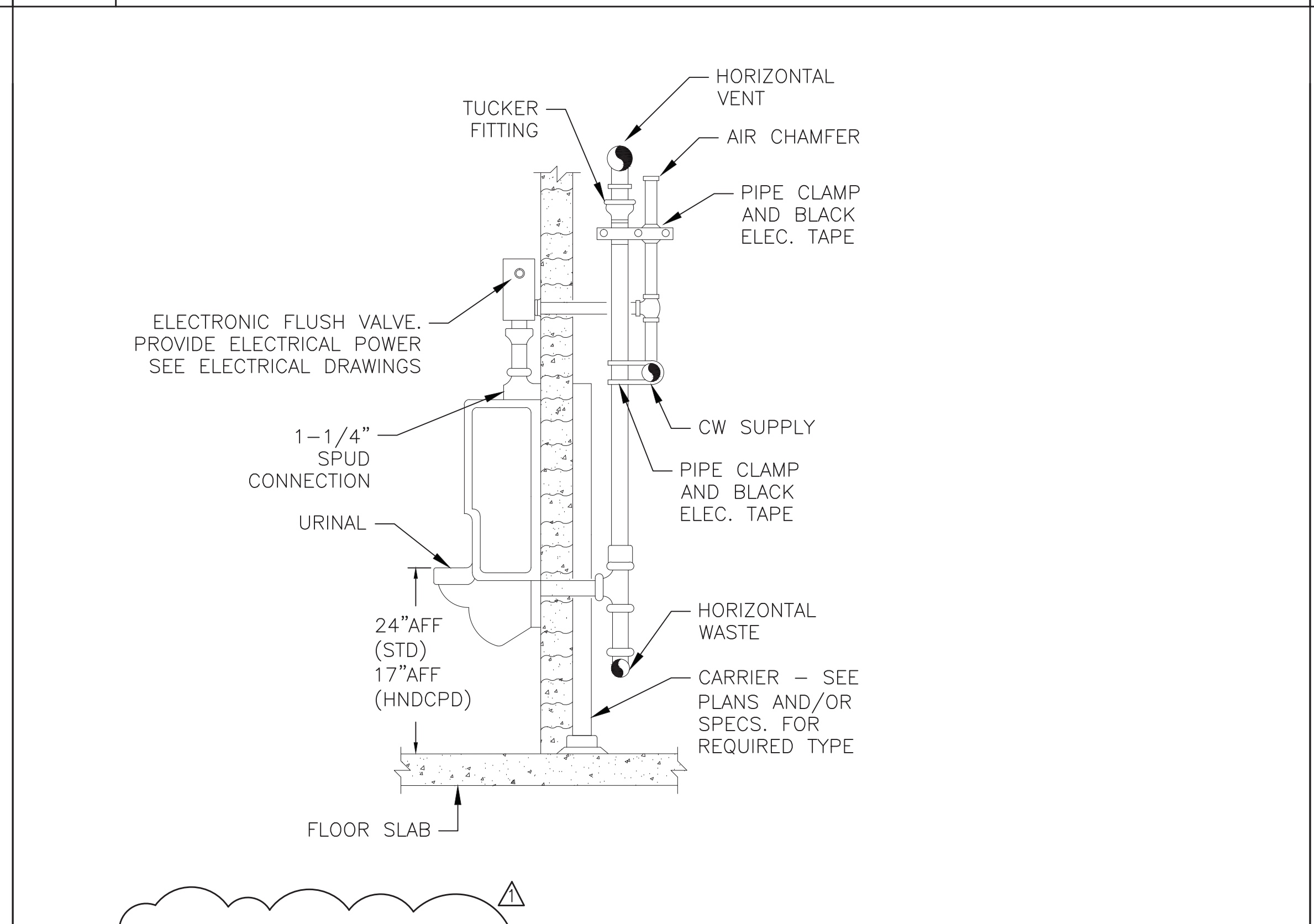
04 FLOOR DRAIN WITH TRAP PRIMER DETAIL
NOT TO SCALE



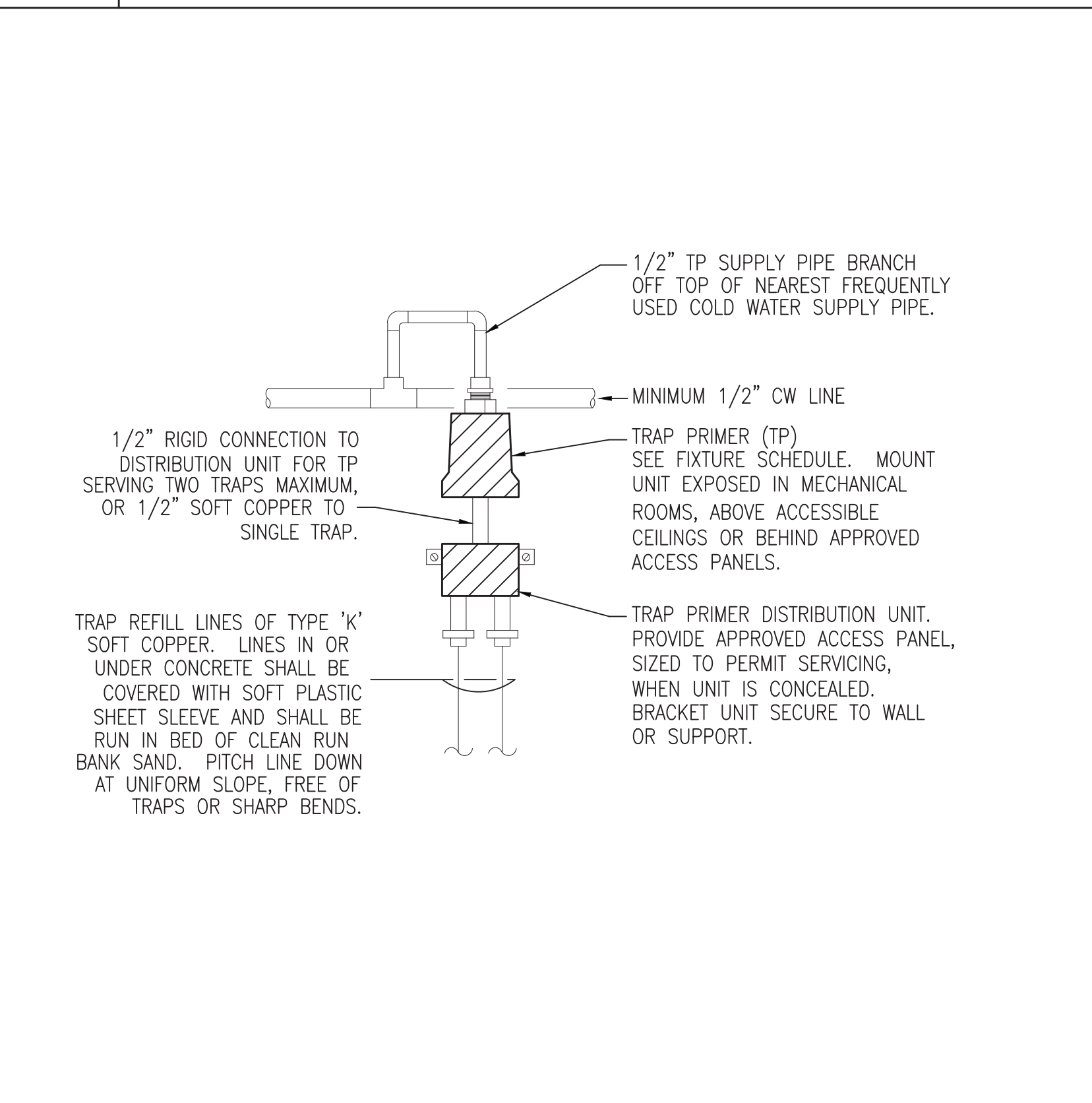
05 WATER HAMMER ARRESTOR
NOT TO SCALE



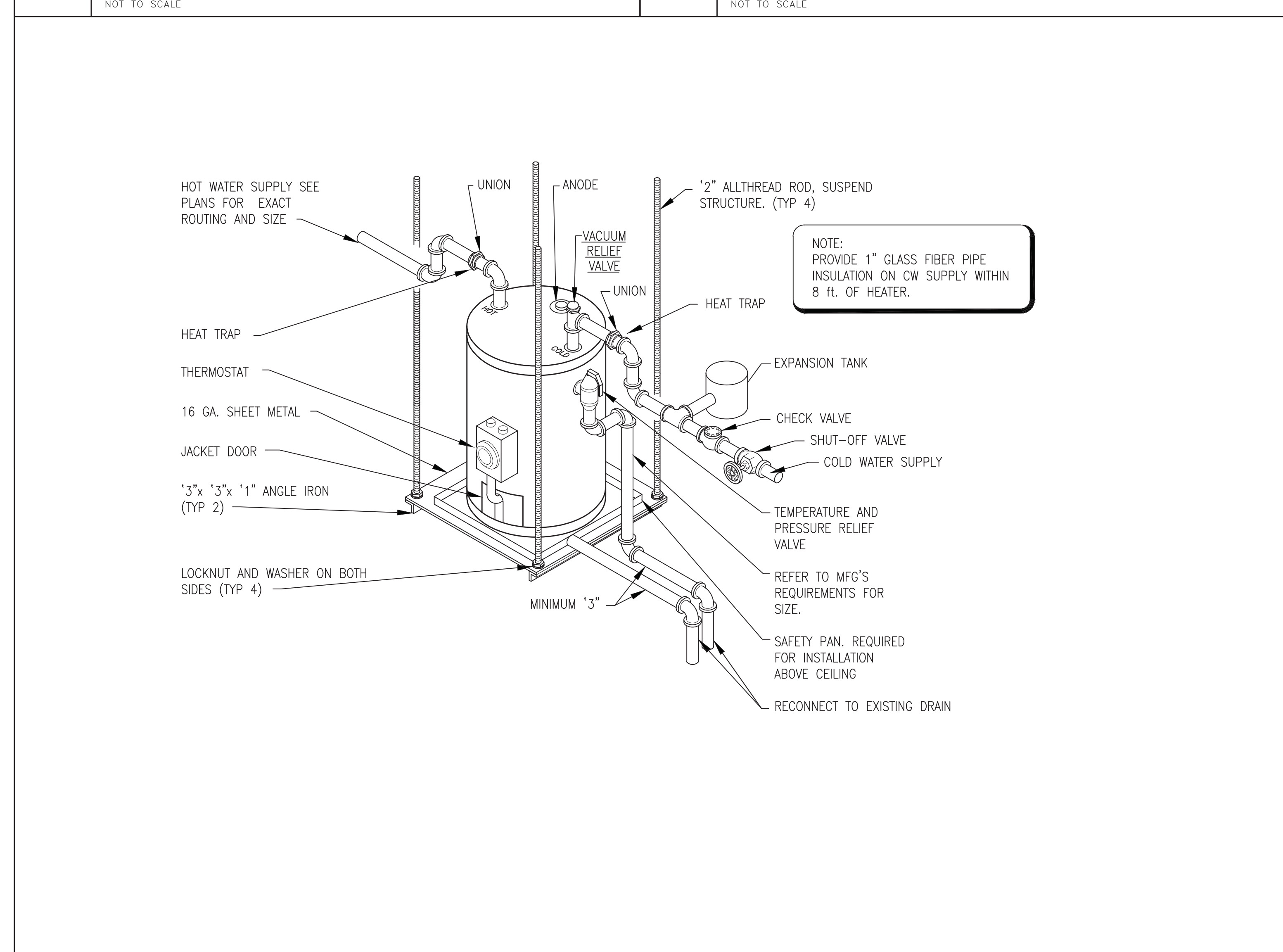
06 WALL MOUNTED LAVATORY SUPPORT DETAIL
NOT TO SCALE



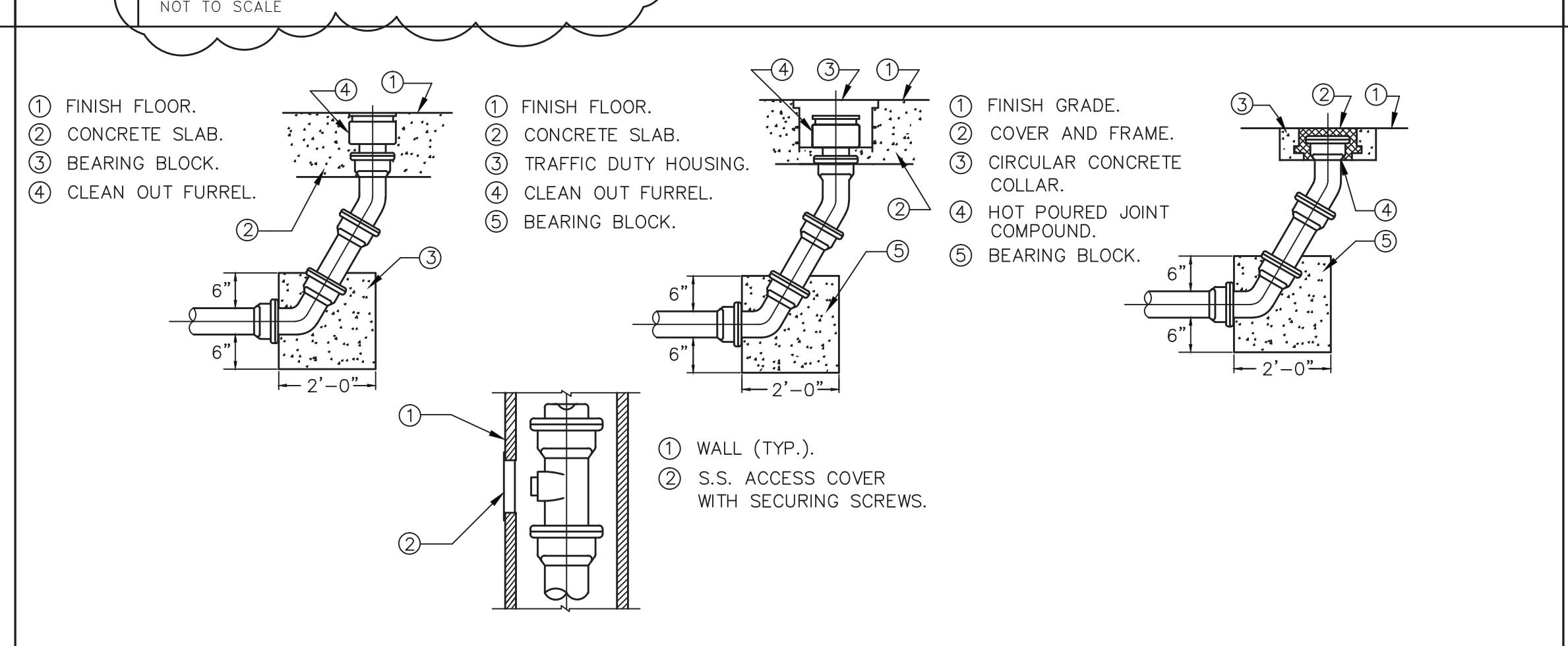
07 URINAL SUPPORT DETAIL
NOT TO SCALE



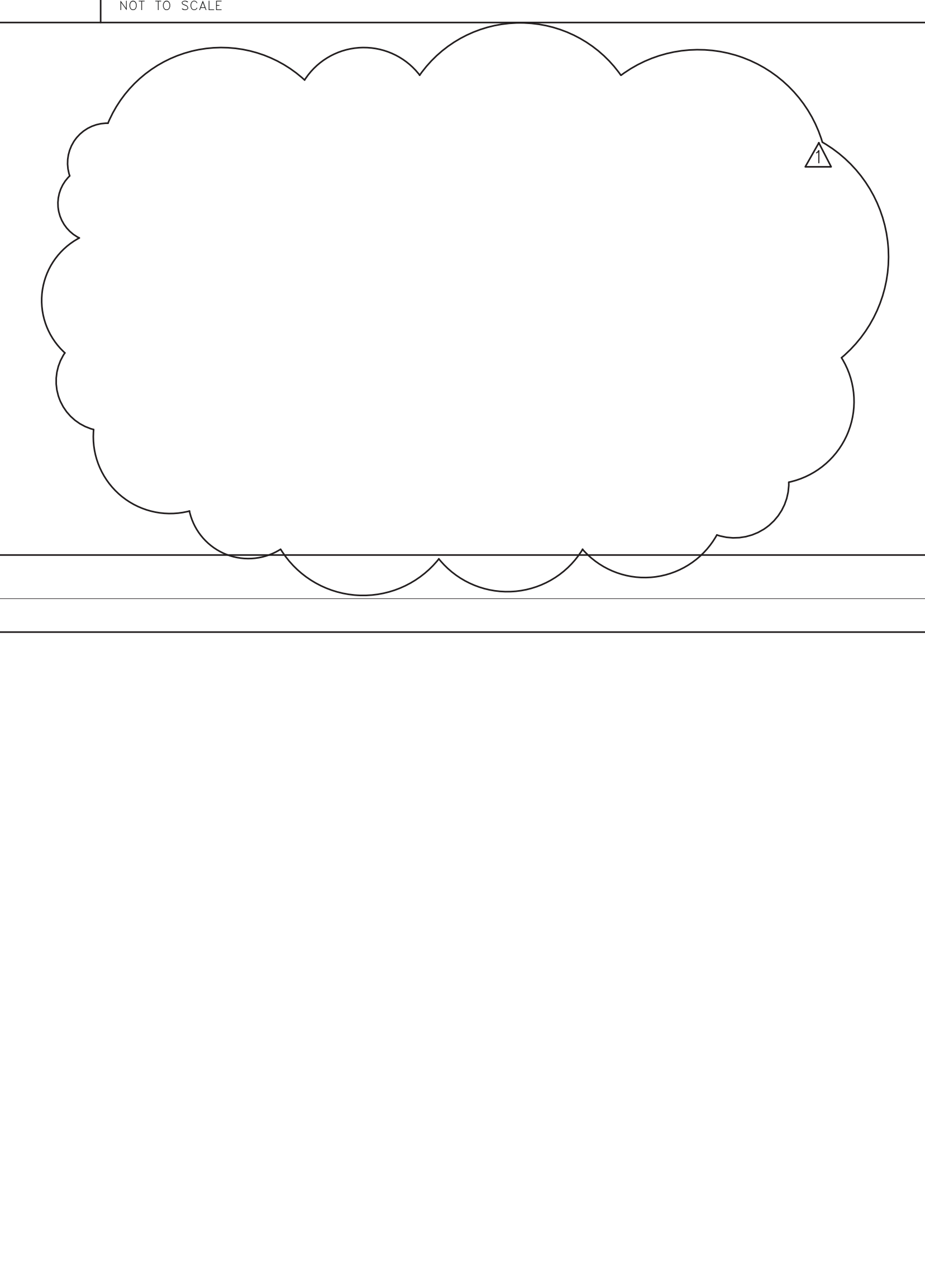
08 TRAP PRIMER DETAIL
NOT TO SCALE



09 ELECTRIC WATER HEATER DETAIL
NOT TO SCALE



10 FLOOR CLEANOUT DETAIL
NOT TO SCALE



09 ELECTRIC WATER HEATER DETAIL
NOT TO SCALE