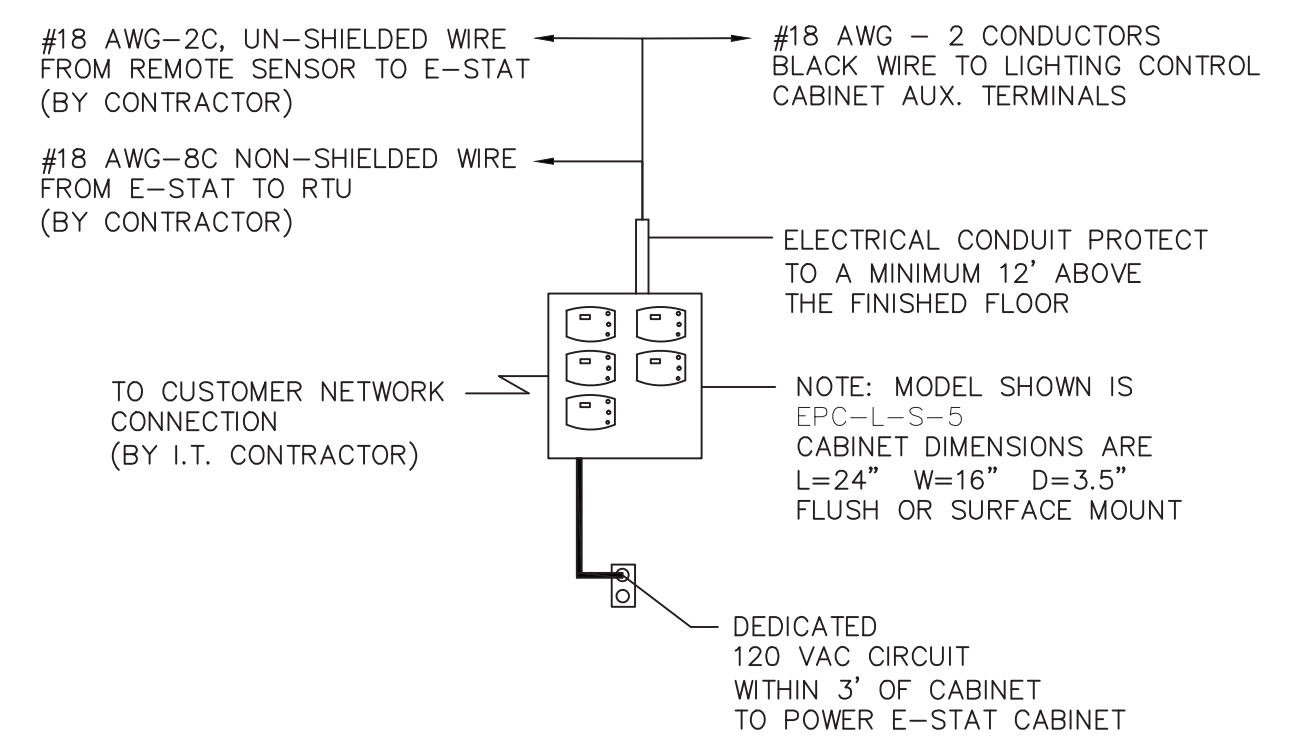
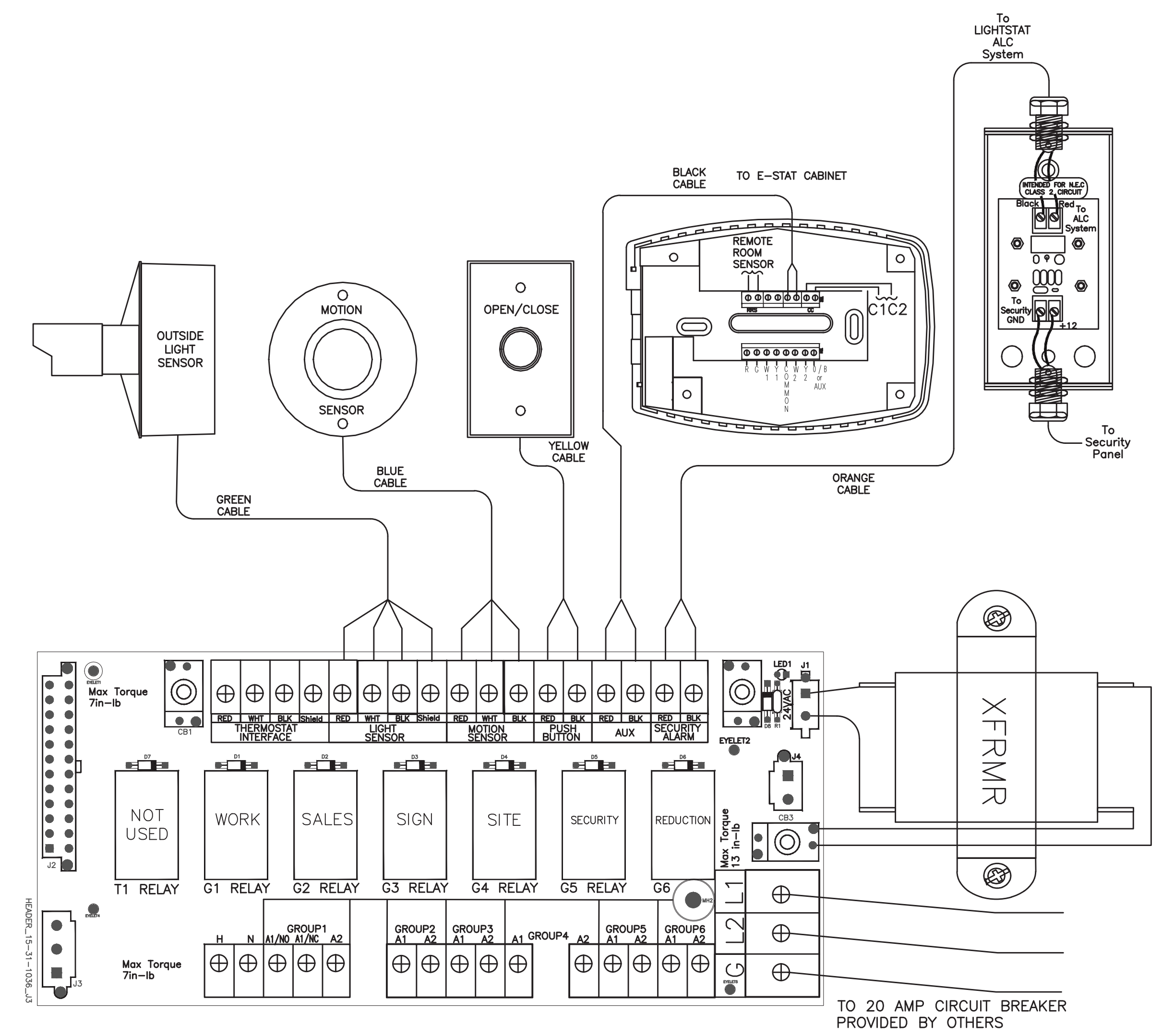


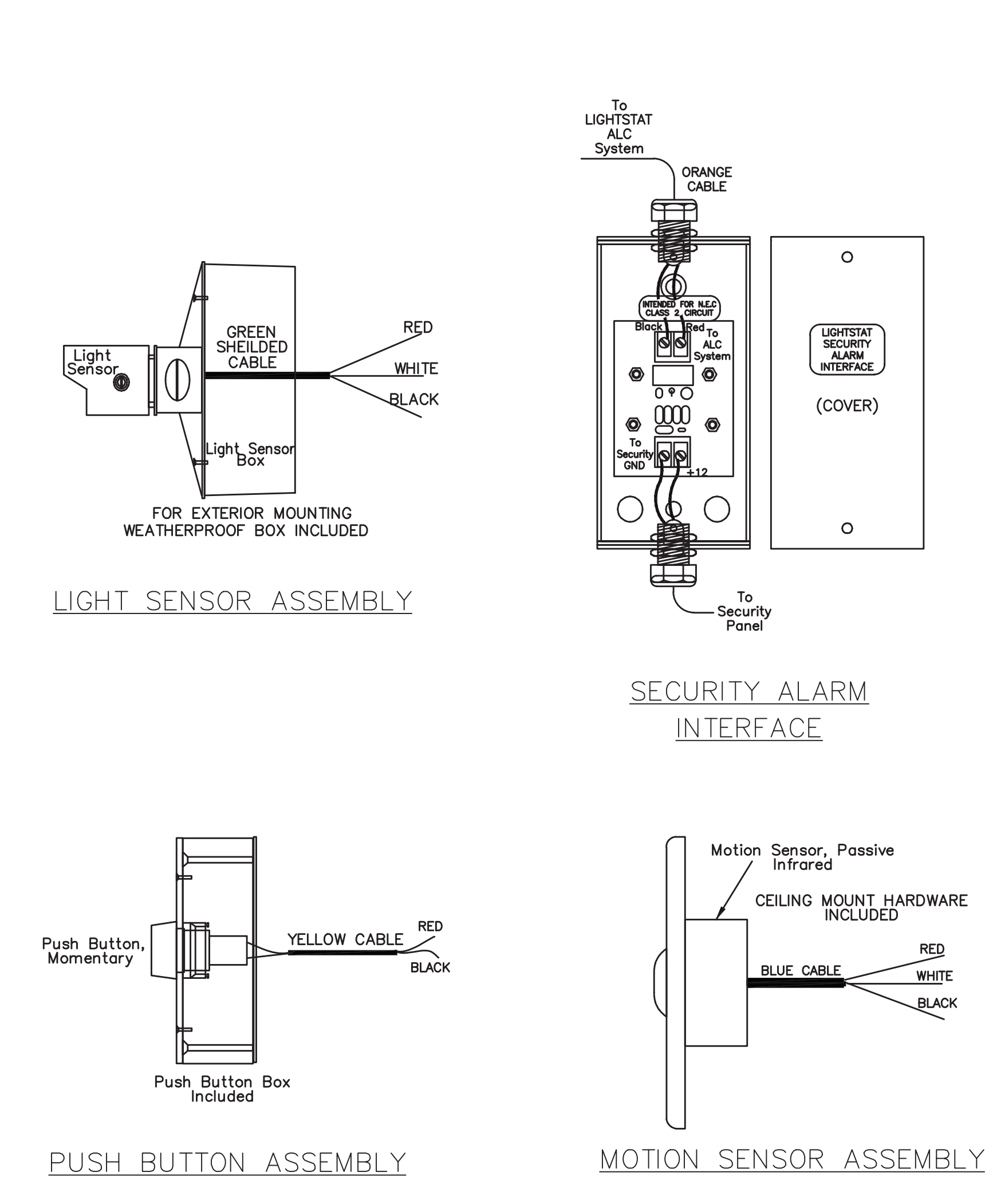
TYPICAL E-STAT WIRING SCHEMATIC



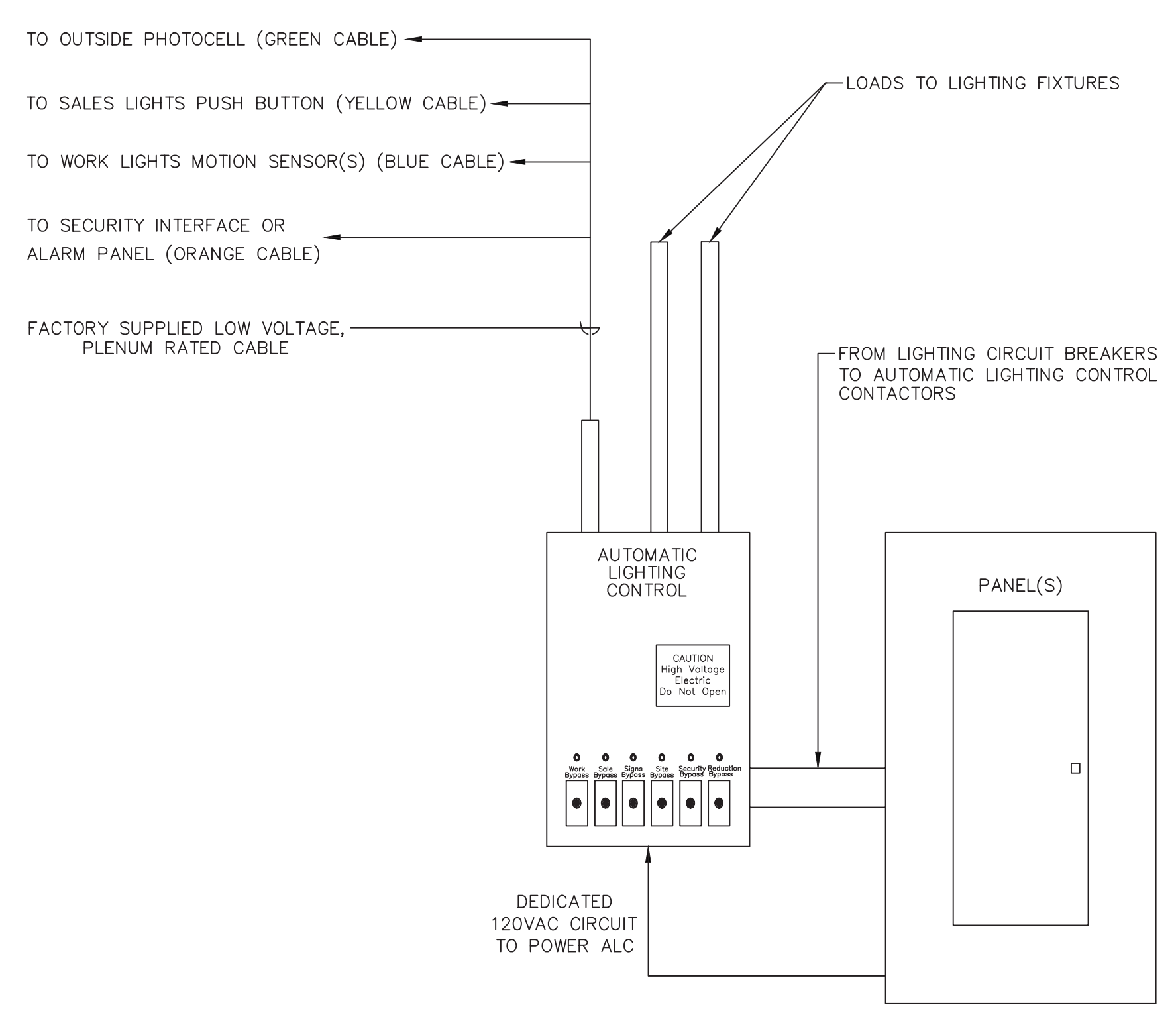
TYPICAL E-STAT PRE MOUNTED CABINET



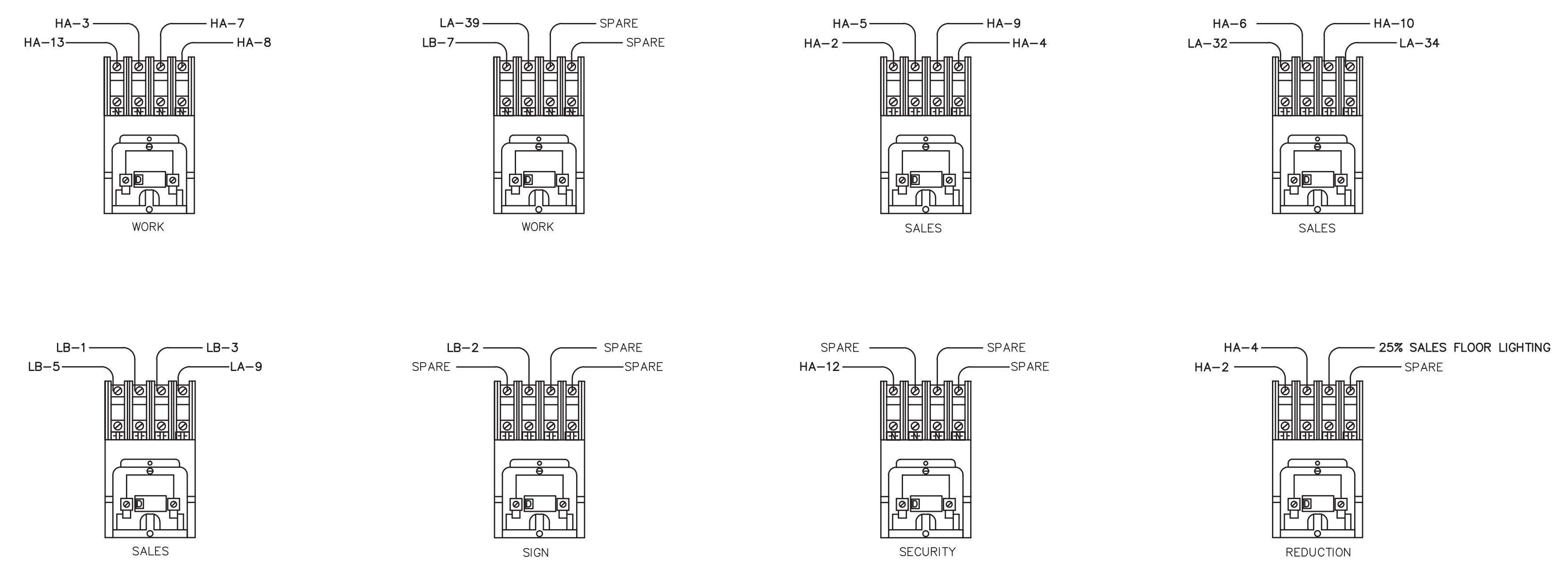
AUTOMATIC LIGHTING CONTROL LOW VOLTAGE CONNECTIONS



LINE VOLTAGE CONNECTIONS FROM CIRCUIT BREAKER PANEL TO TOP TERMINALS OF CONTACTORS. CONTROL CIRCUIT



AUTOMATIC LIGHTING CONTROL RISER DIAGRAM



LOAD CONNECTIONS TO LIGHTS ON BOTTOM TERMINALS. SPARE CONTACTOR POLES WILL ALLOW FOR FUTURE LOADS.

LIGHTING CONTACTOR SCHEDULE

WINDLE + VOLPE
 ARCHITECTS
 HOUSTON, TEXAS 77065
 PH 713-955-1390
 7600 BAY TIDE

BASSAM G. JABORI
 REGISTERED PROFESSIONAL ENGINEER
 TEXAS ID # F-5348

CAI
 CONSULTING ENGINEERS
 10700 RICHMOND AVE., SUITE 115
 HOUSTON, TX 77042
 TEL: (713) 788-6344 FAX: (713) 788-6000

BEALLS WHITE BOX
 CROSSROADS MALL
 GREENVILLE, TEXAS
 GREENVILLE PROPERTIES LTD.
 GREENVILLE, TEXAS

DATE	1/11/2015	DESIGNED BY	AEP
PROJECT NO.	8-12-05	DRAWN BY	

ENERGY MANAGEMENT SYSTEM DIAGRAMS & DETAILS
 EM1.3