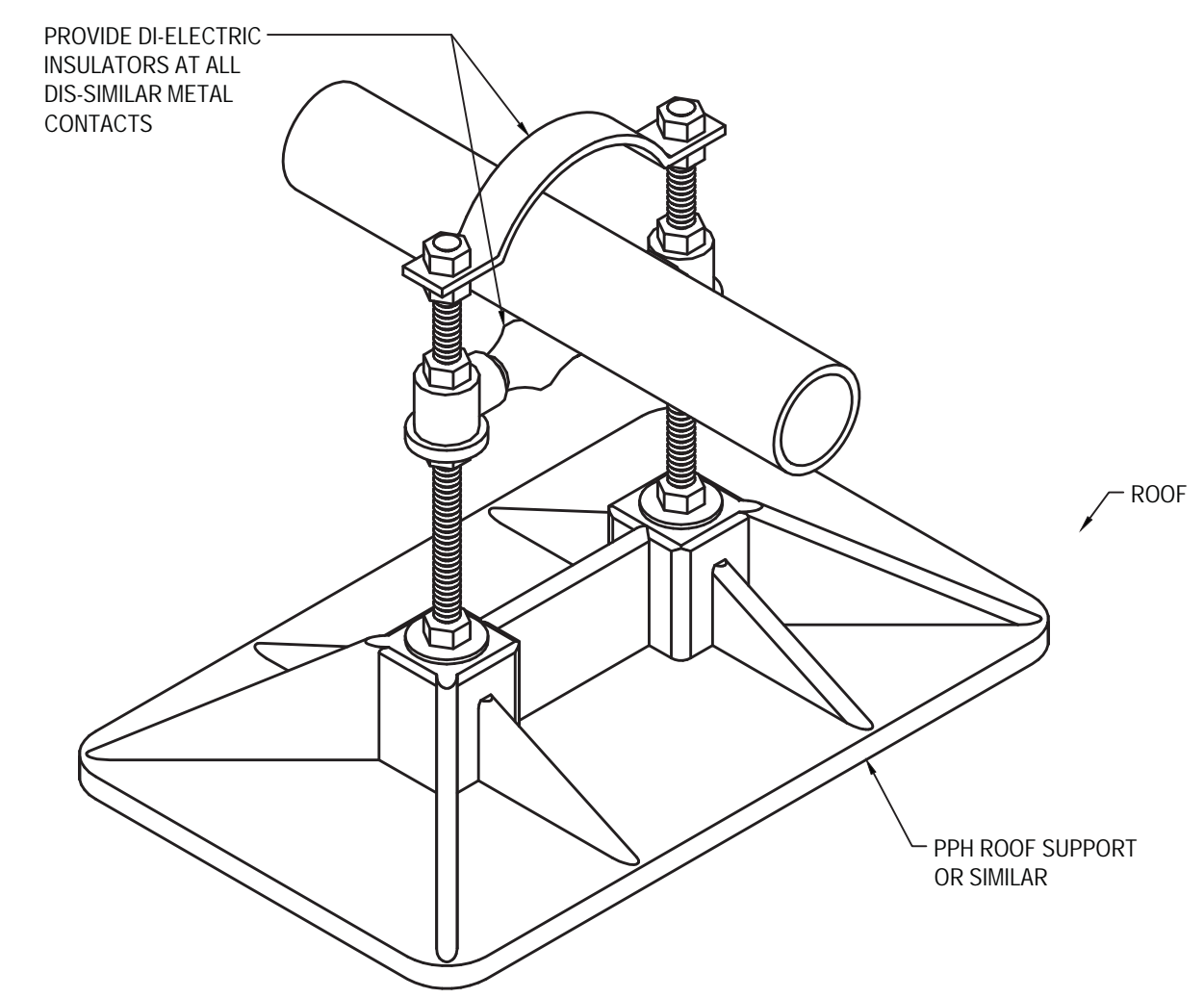


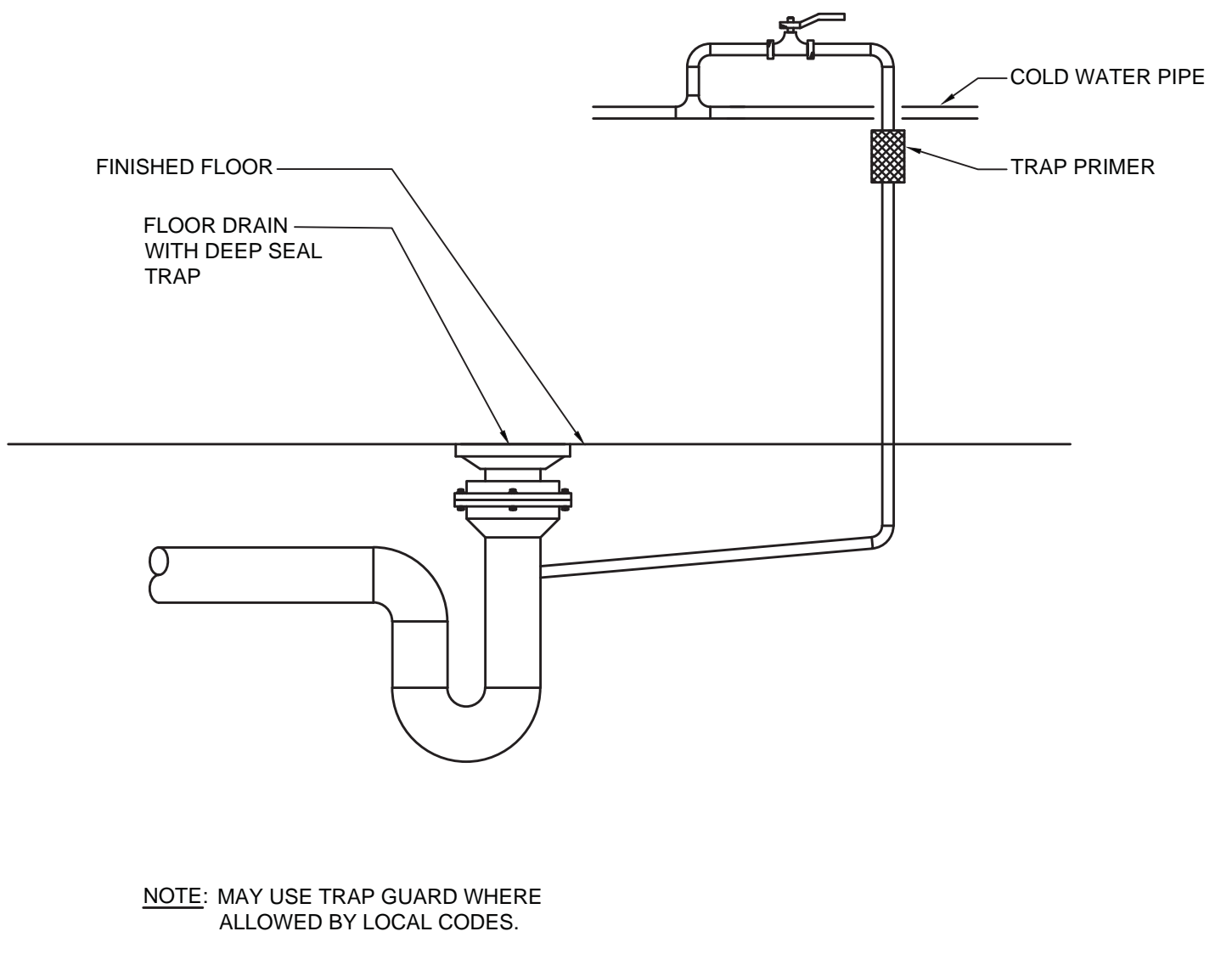
DATE	1/11/2015	DESIGNED BY	AEP
PROJECT NO.	8-12-05	DRAWN BY	

MECHANICAL & PLUMBING DETAILS & SPECIFICATIONS

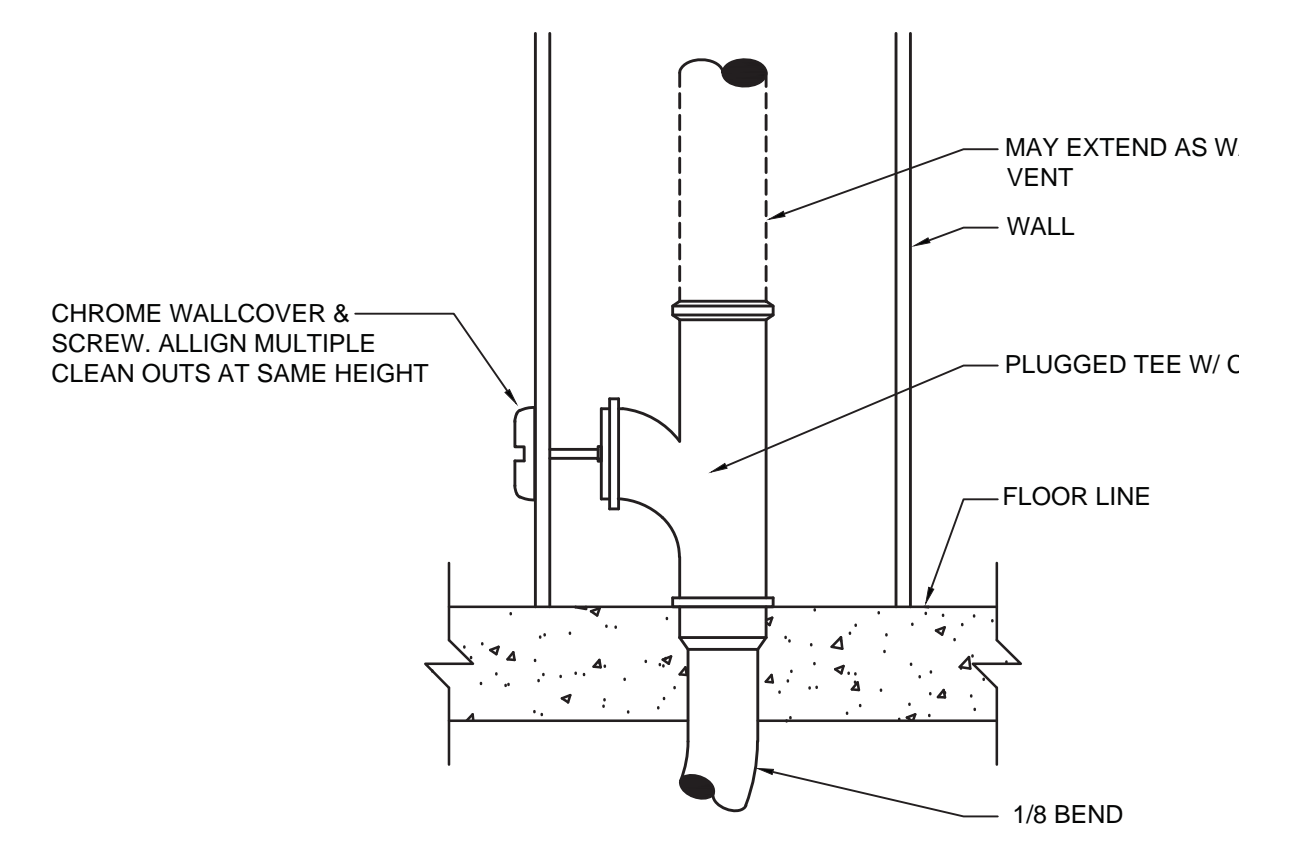
M2.1



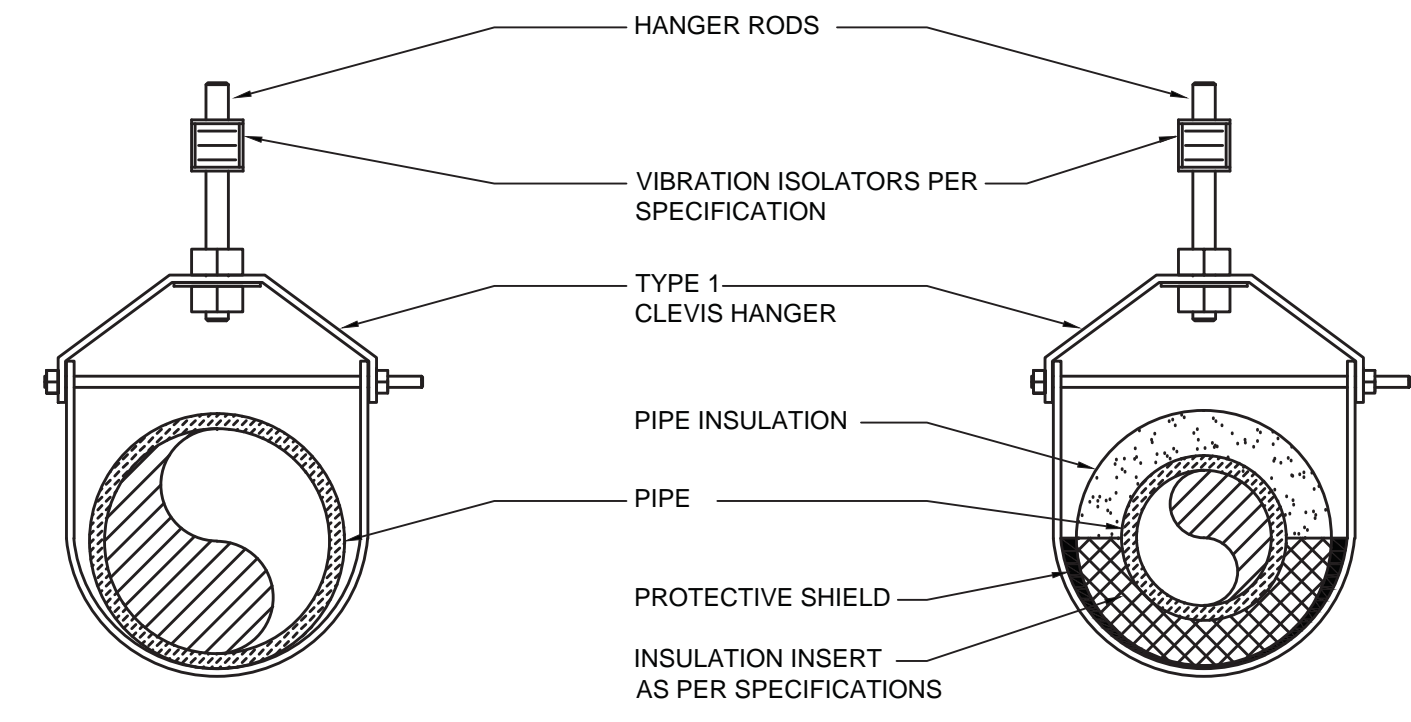
1 ROOF MOUNTED PIPING SUPPORT  
 NOT TO SCALE



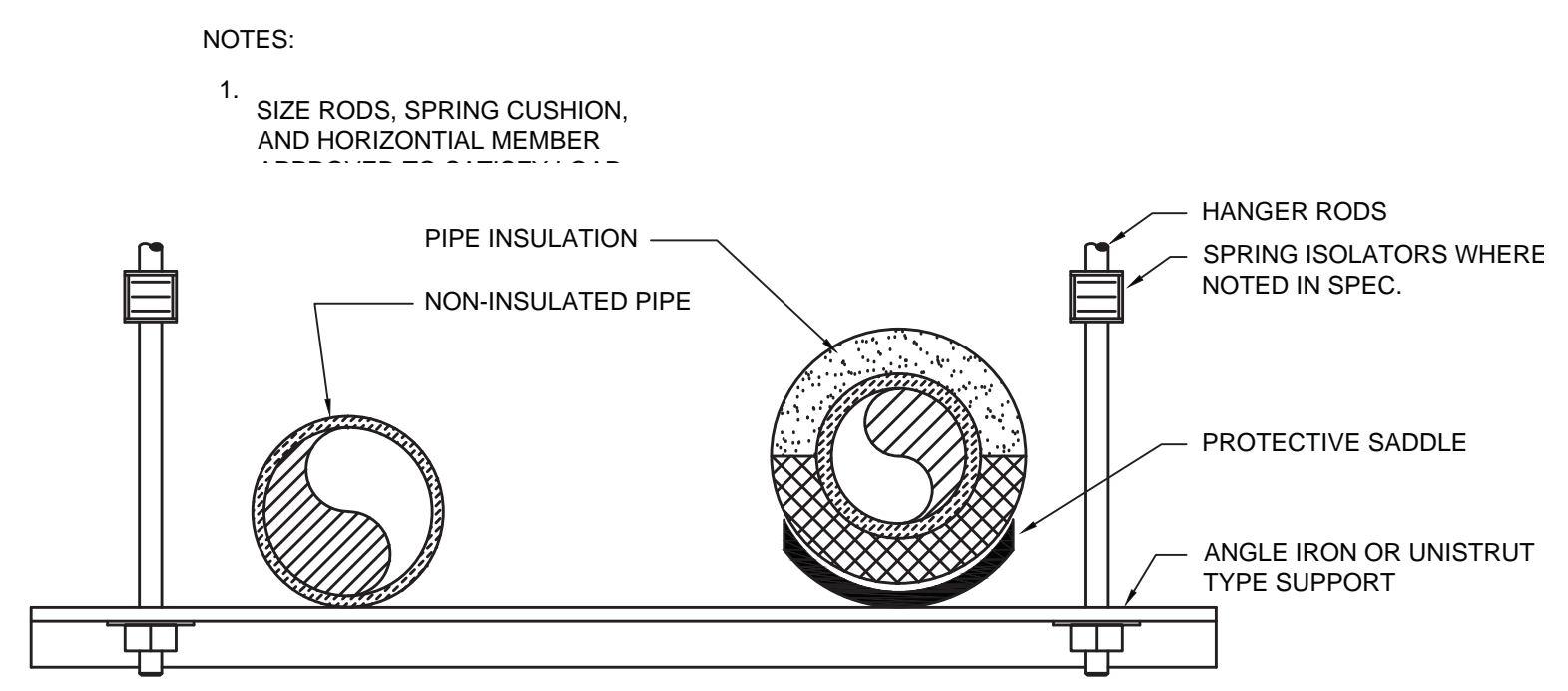
2 TRAP PRIMER DETAIL  
 NOT TO SCALE



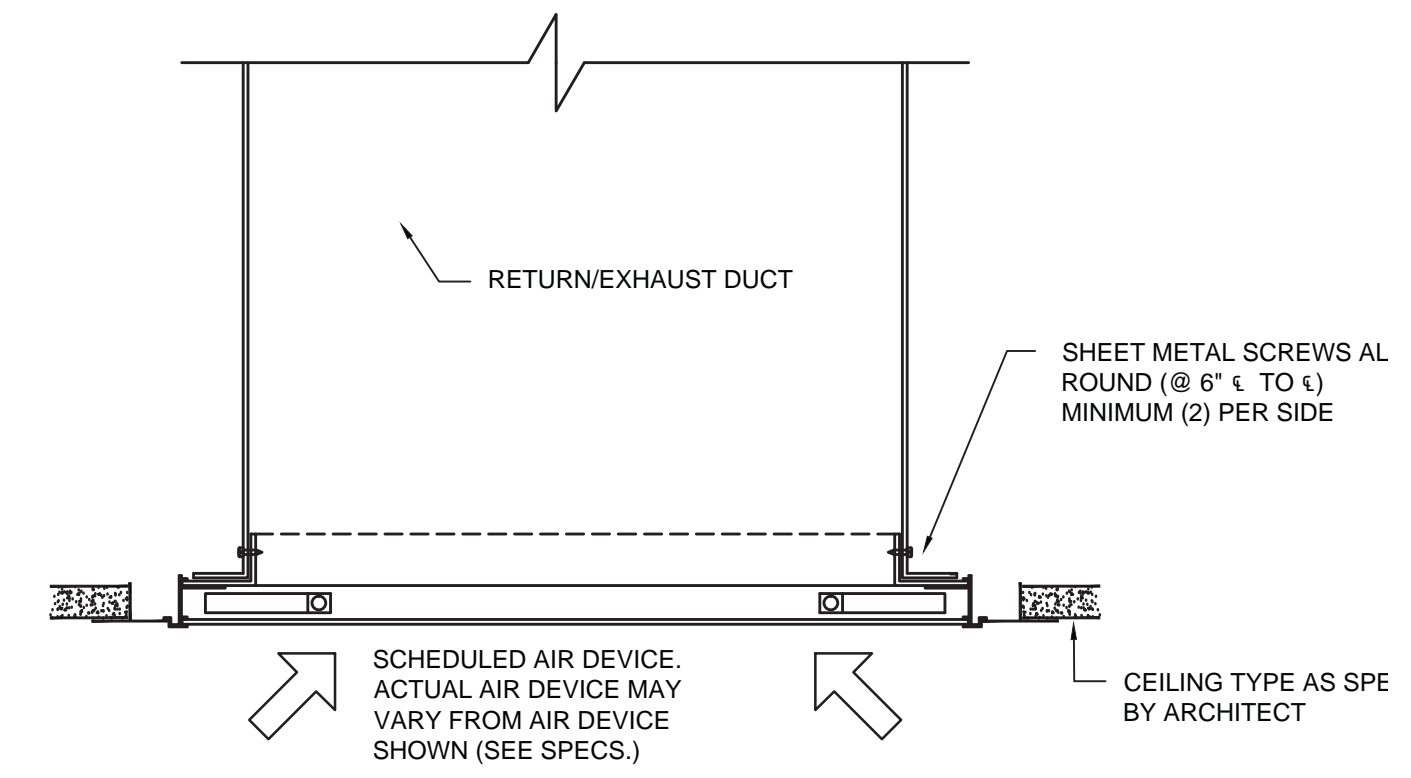
3 WALL CLEANOUT DETAIL  
 NOT TO SCALE



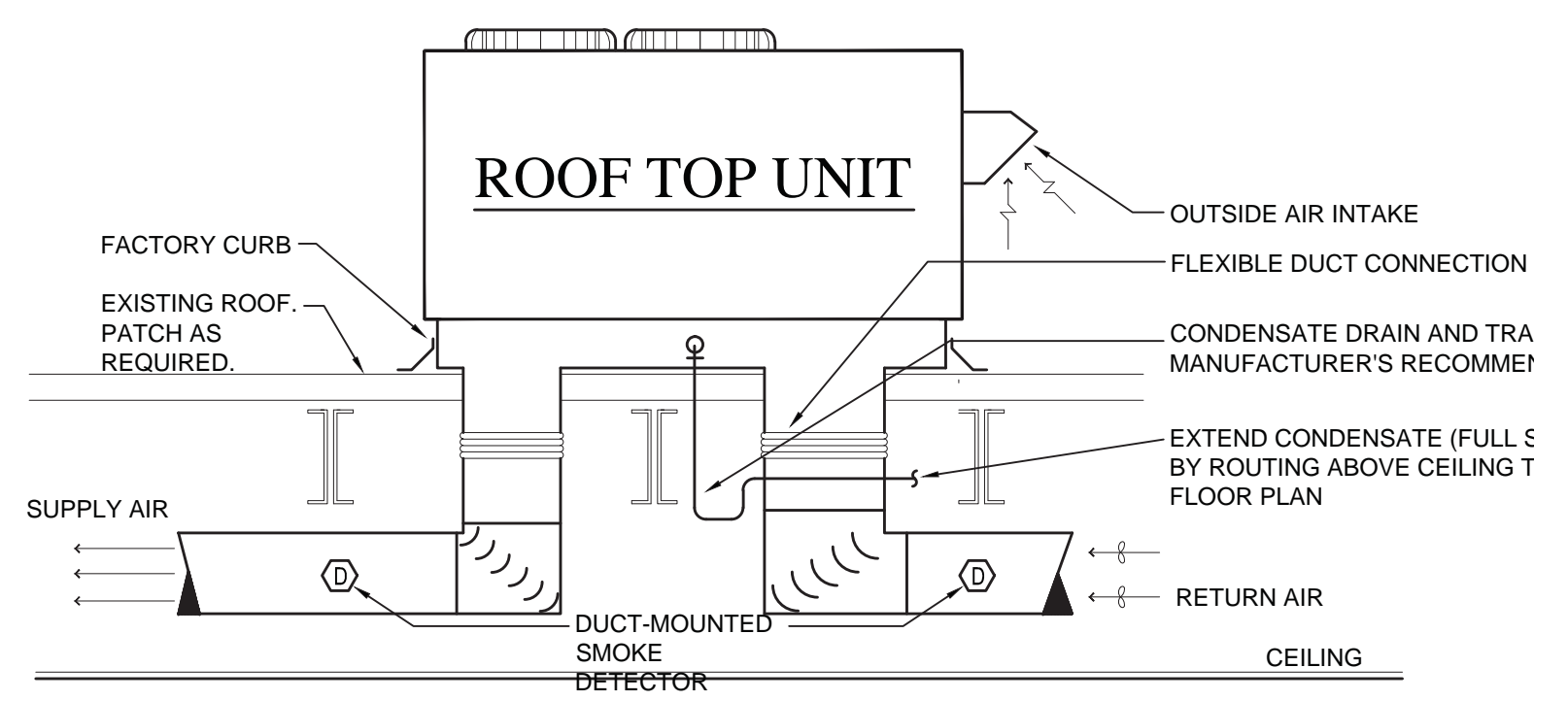
4 SINGLE PIPE CLEVIS HANGER  
 NOT TO SCALE



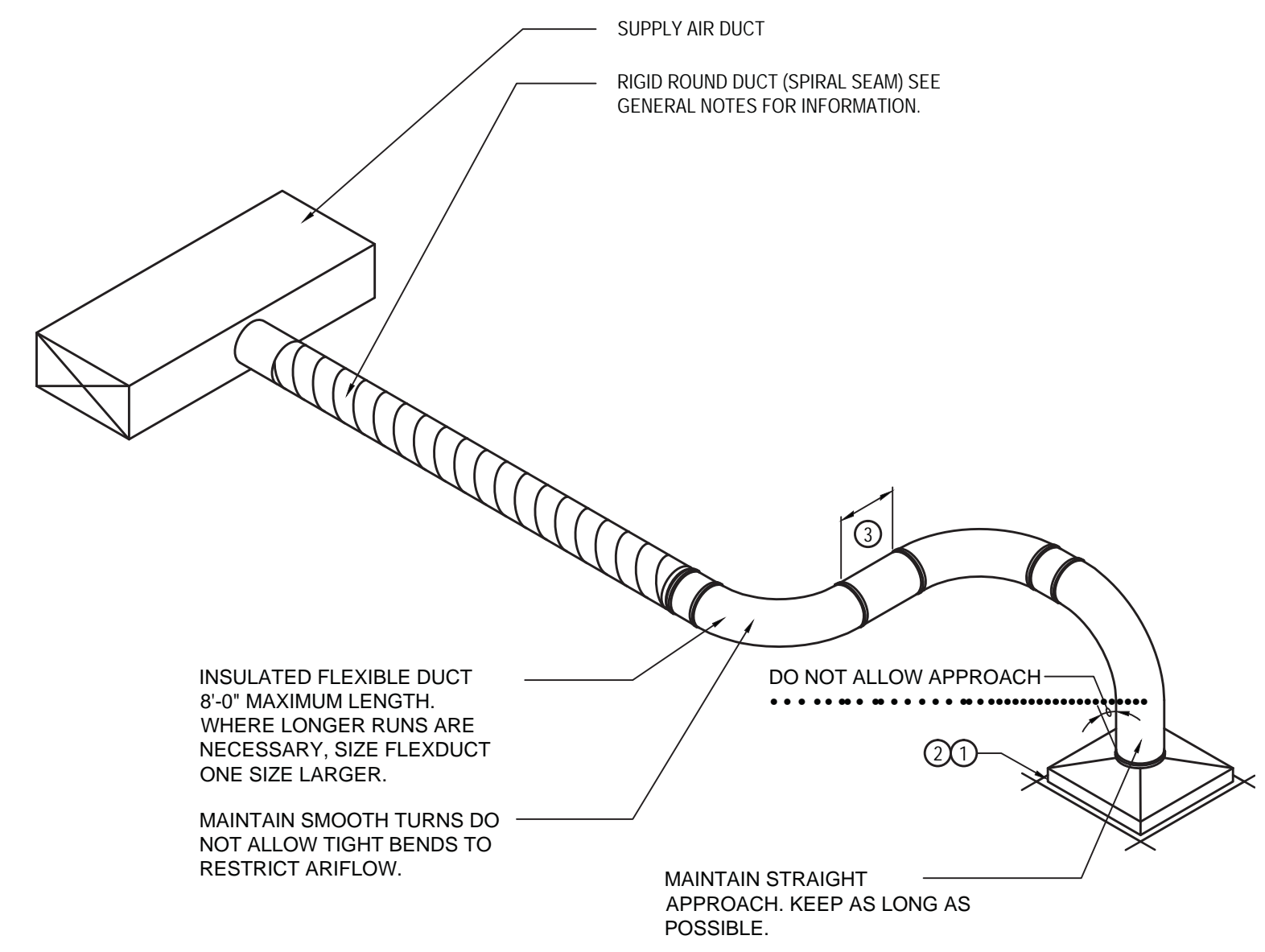
5 PIPE SUPPORT TRAPEZE TYPE  
 NOT TO SCALE



6 DUCTED RETURN AIR GRILLE DETAIL  
 NOT TO SCALE

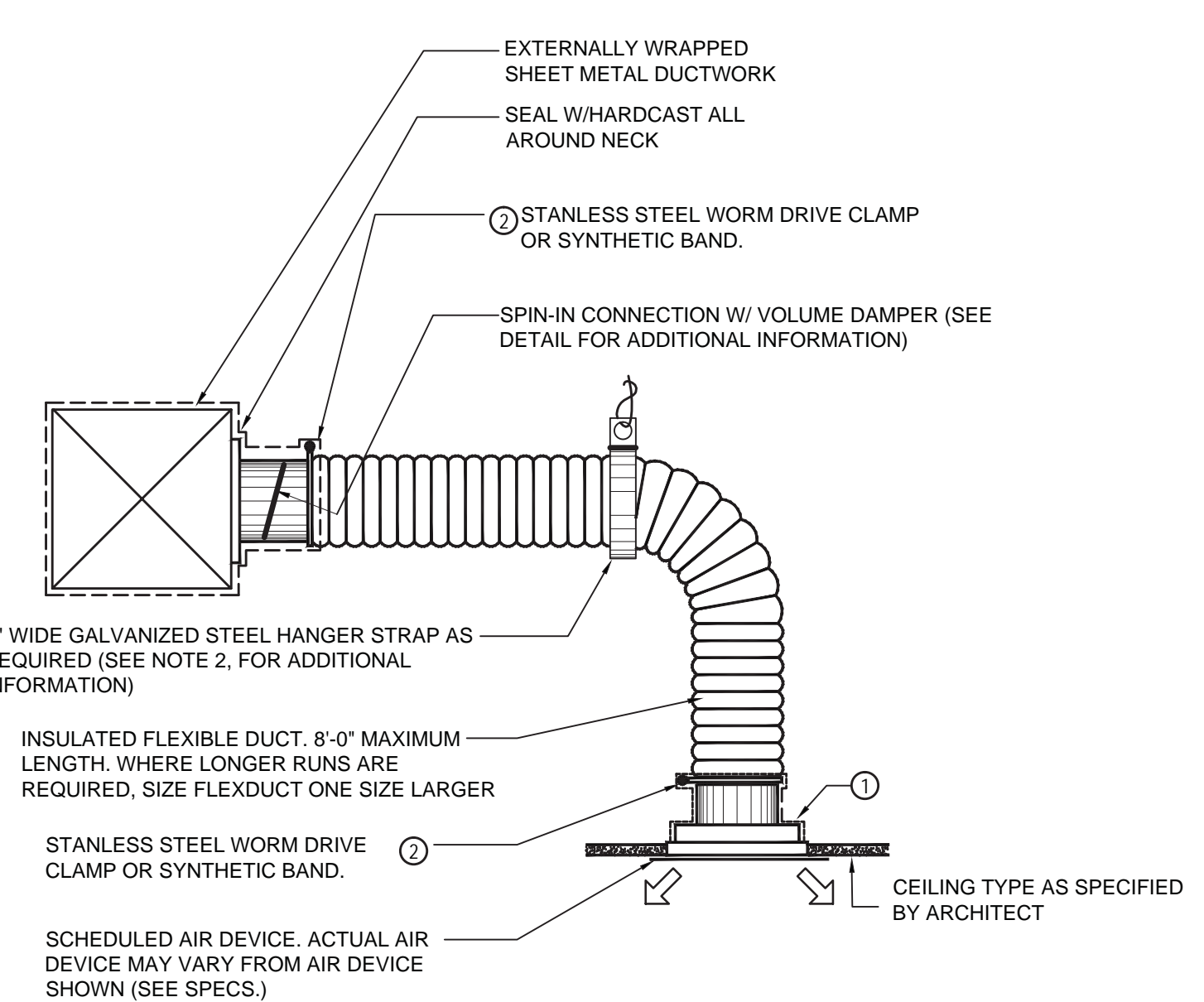


7 ROOFTOP A/C UNIT DETAIL  
 NOT TO SCALE



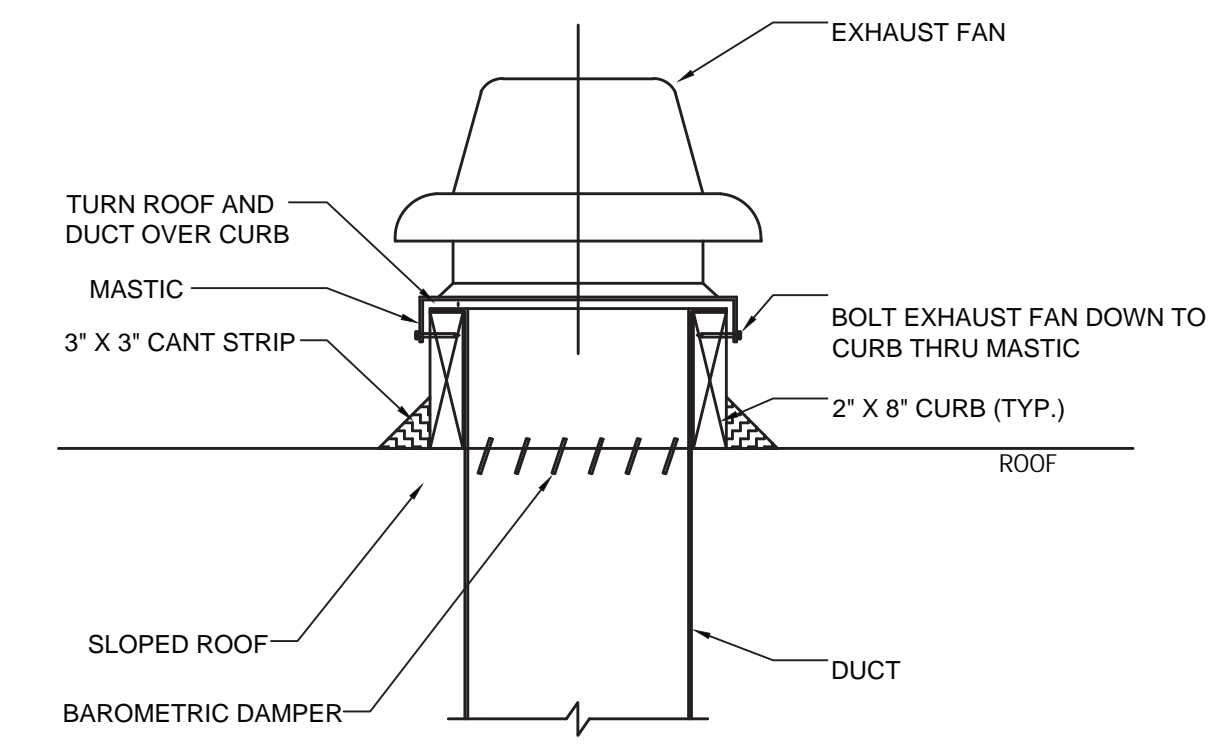
GENERAL NOTES:  
 1. RIGID ROUND DUCT WITH LONGITUDINAL SEAM NOT TO BE USED.  
 2. FLEXIDUCT MAY BE SUBSTITUTED.  
 KEYED NOTES:  
 1 REFER TO CEILING DIFFUSER INSTALLATION DETAIL FOR ADDITIONAL INFORMATION.  
 2 REFER TO AIR DEVICE SCHEDULE AND NECK SIZE SCHEDULE FOR DIFFUSER TYPE, AIR QUANTITY, AND SUPPLY CONNECTION SIZE.  
 3 5'-0" MAXIMUM DISTANCE PER DUCT SUPPORT. MAXIMUM SAG 12" PER FOOT OF SUPPORT SPACING. STRAP FLEXIBLE DUCT TO STRUCTURE FOR SUPPORT. KEEP AS HIGH AS POSSIBLE TO MAXIMIZE STRAIGHT APPROACH.

9 FLEXIBLE DUCT APPROACH TO DIFFUSER  
 NOT TO SCALE

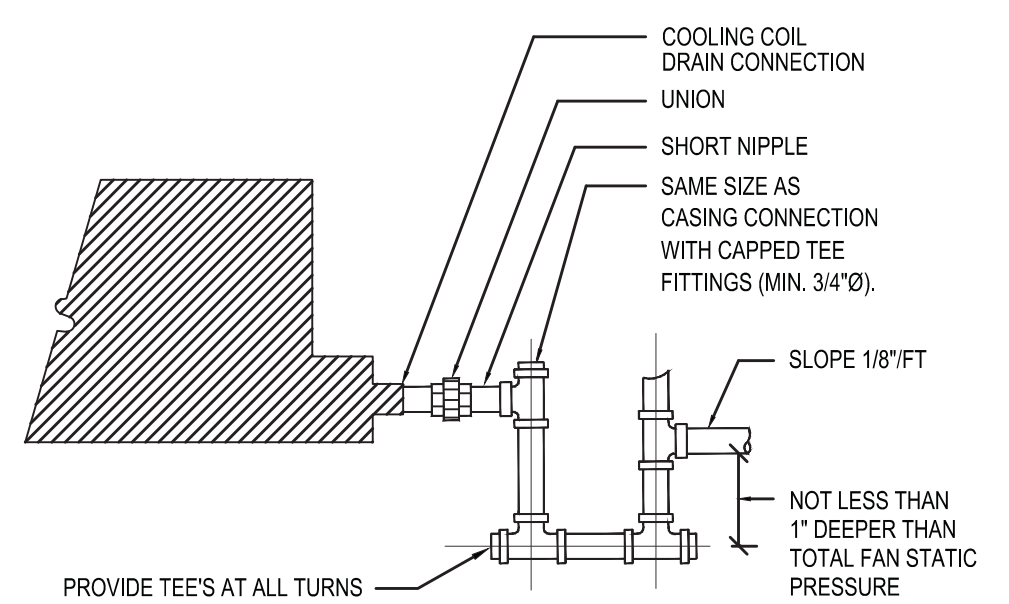


NOTES:  
 1. CEILING DIFFUSER SHALL BE INSTALLED SUCH THAT THE FACE OF DIFFUSER IS FLUSH WITH CEILING.  
 2. SUPPORT FLEXIBLE DUCT FROM STRUCTURE. FLEXIBLE DUCT SHALL NOT KINK, SAG OR REST ON LIGHT FIXTURE, CEILING SUPPORT "TEES" OR CEILING TILE.  
 3. ALL DUCT INSULATION TO BE IECC REQUIRED MINIMUM OR BETTER.  
 KEYED NOTES:  
 1 FOR UNCONDITIONED CEILING PLENUMS, INSULATE ENTIRE BACK OF CEILING DIFFUSER WITH 1" DUCT WRAP AND SEAL WITH VAPOR BARRIER TAPE.  
 2 EXTEND INSULATION AND OUTER JACKET OVER THE SECURE CLAMP/BAND AND TAPE DOWN TO SLEEVE/COLLAR TO MAINTAIN VAPOR BARRIER INTEGRITY. (TYPICAL)

10 CEILING DIFFUSER INSTALLATION DETAIL  
 NOT TO SCALE



11 ROOF MOUNTED EXHAUST DETAIL  
 NOT TO SCALE



NOTE:  
 1. MAINTAIN MINIMUM 1" AIR GAP AT FLOOR DRAIN OR ROOF DRAIN.  
 2. ALL CONDENSATE DRAIN PIPING SHALL BE SCHEDULE 40 PVC.  
 3. ROUTE ALL CONDENSATE DRAIN PIPING IN CEILING PLENUM.

8 COOLING COIL CONDENSATE DRAIN  
 NOT TO SCALE