

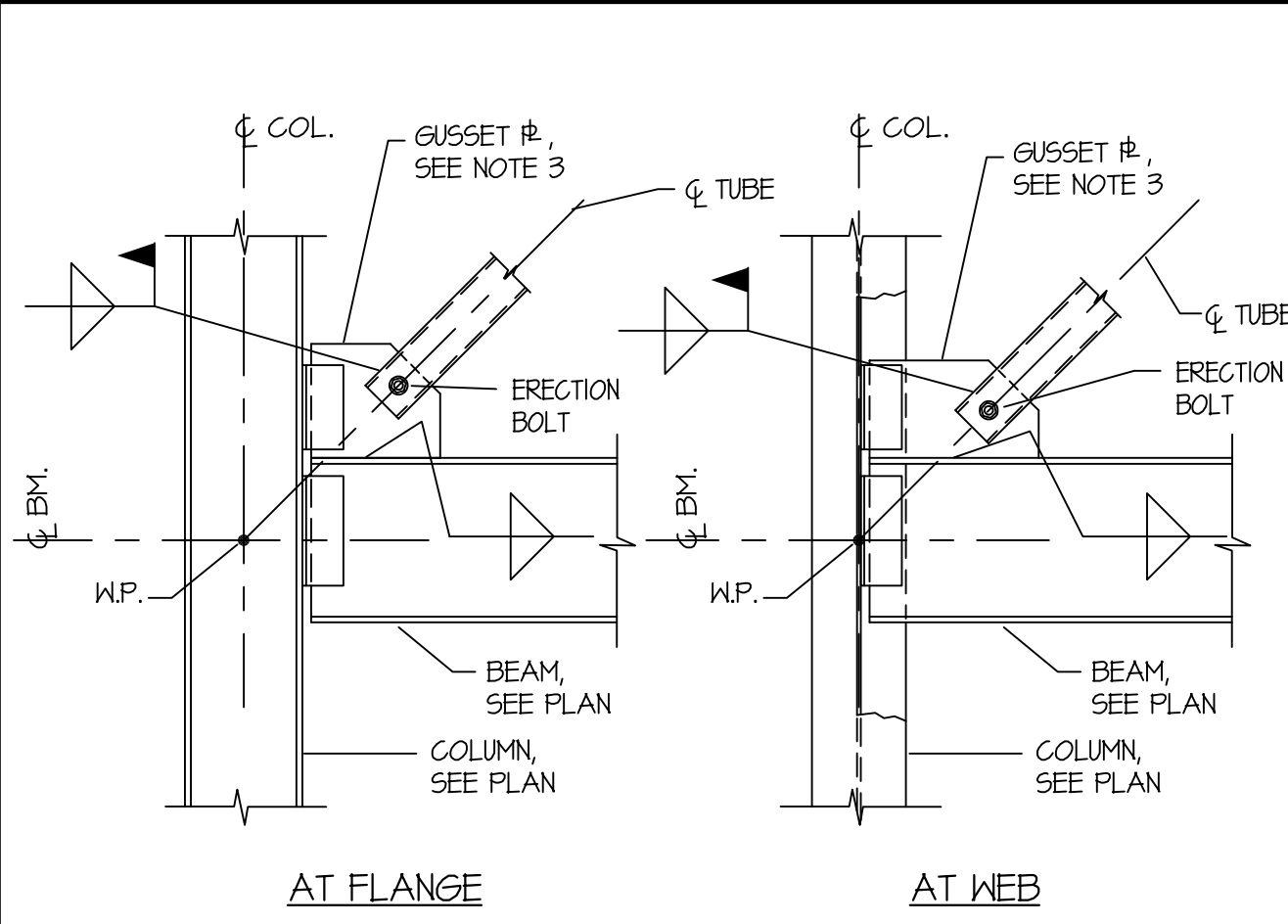
AT NO MASONRY			AT MASONRY		
PARAPET HEIGHT	STUD	G TO G SPACING	PARAPET HEIGHT	STUD	G TO G SPACING
UP TO 8'-6"	800162-54	16"	UP TO 7'-0"	800162-54	16"
8'-6" TO 9'-6"	800162-54	12"	7'-0" TO 8'-0"	800162-54	12"
9'-6" TO 10'-6"	(2)-800162-54	16"	8'-0" TO 9'-6"	(2)-800162-54	16"
10'-6" TO 11'-6"	(2)-800162-54	12"	9'-6" TO 11'-6"	(2)-800162-54	12"
11'-6" TO 13'-10"	(2)-8009162-4T	12"	9'-6" TO 11'-6"	(2)-8009162-4T	12"

NOTES:
 1. PARAPET HEIGHT MEASURED FROM STUD CLIP TO TOP OF STUDS.
 2. (2)-800162-54 INDICATES DOUBLED (BACK-TO-BACK) STUDS AT SPACING INDICATED.
 3. THESE ARE MINIMUM STUD REQUIREMENTS FOR PARAPET CONDITION. IF LARGER STUDS OR CLOSER SPACING IS REQUIRED FOR ANY REASON, THE MORE STRINGENT REQUIREMENT SHALL CONTROL.

**TYPICAL DETAIL
 MIN. STUD REQUIREMENTS AT EXTERIOR
 WALLS WITH PARAPETS**

SCALE: 3/4" = 1'-0"

20

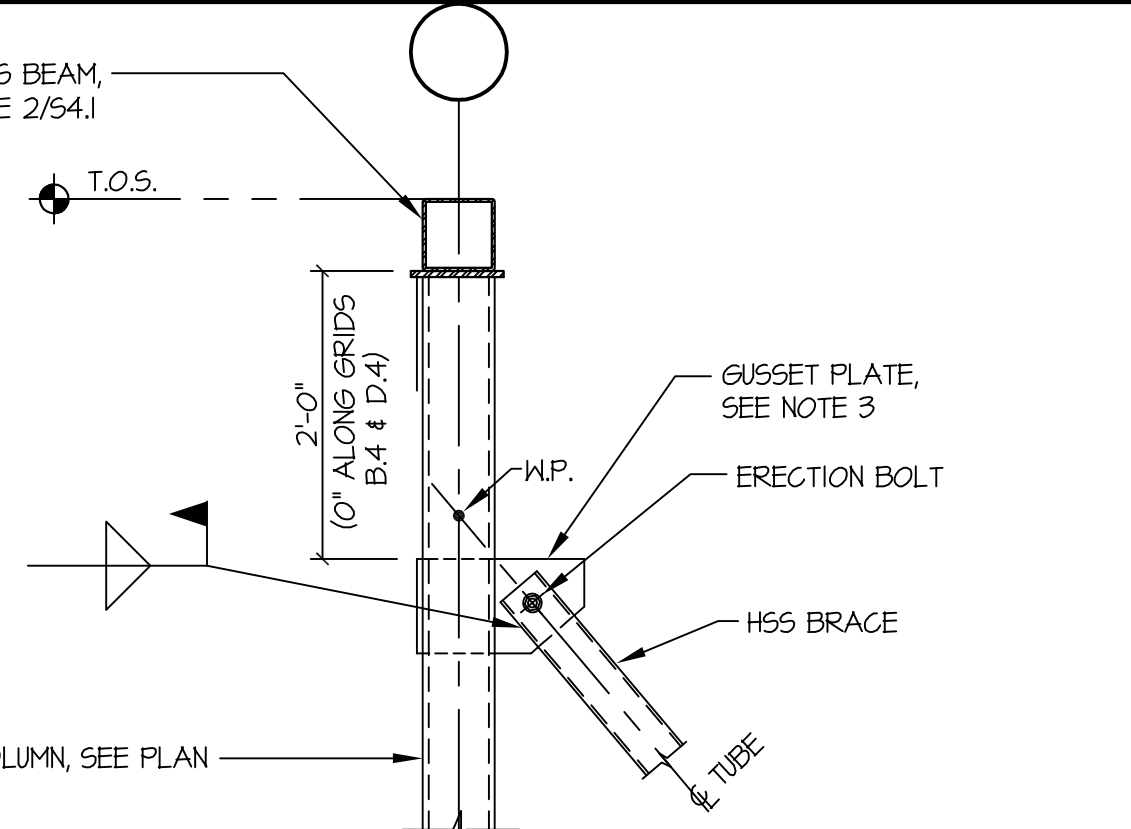


NOTES:
 1. Refer to brace elevations for brace sizes and forces.
 2. If not provided, unless noted otherwise, the brace force shall be the maximum tension and / or compression capacity of the brace. If brace forces are shown, they are factored loads (LRFD).
 3. Gusset plate shall be centered on steel beam and designed to develop brace force.
 4. Bolts and welds shall be designed by the fabricator for the vertical and horizontal components of the brace force including the effect of eccentricity. The minimum size fillet weld shall be 1/4".

**TYPICAL DETAIL
 BRACE CONNECTION**

SCALE: NONE

15

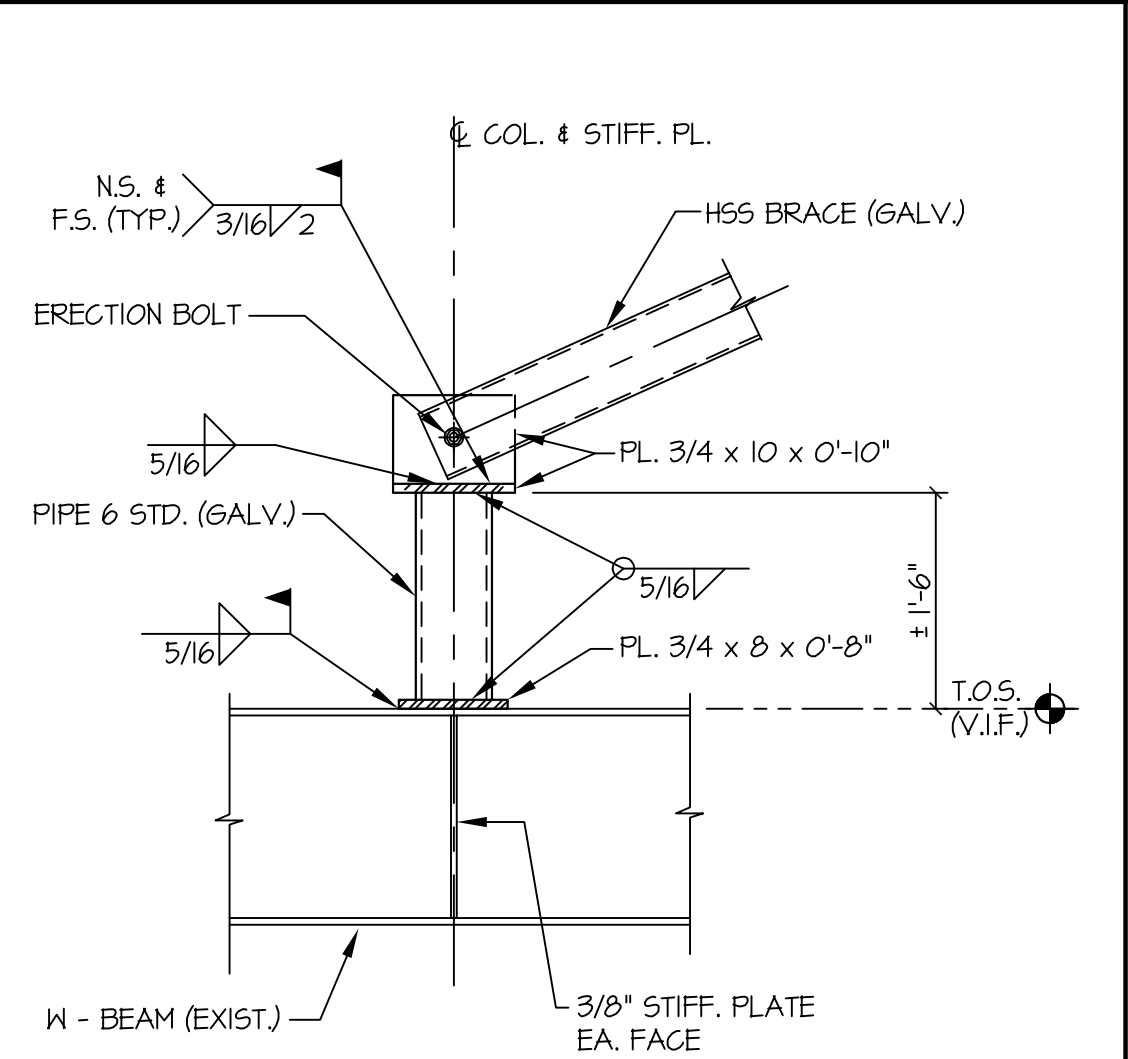


NOTES:
 1. Refer to brace elevations for brace sizes and forces.
 2. If not provided, unless noted otherwise, the brace force shall be the maximum tension and / or compression capacity of the brace. If brace forces are shown, they are factored loads (LRFD).
 3. Gusset plate shall be centered on steel beam and designed to develop brace force.
 4. Bolts and welds shall be designed by the fabricator for the vertical and horizontal components of the brace force including the effect of eccentricity. The minimum size fillet weld shall be 1/4".

HSS BRACE AT HSS COLUMN

SCALE: 3/4" = 1'-0"

12

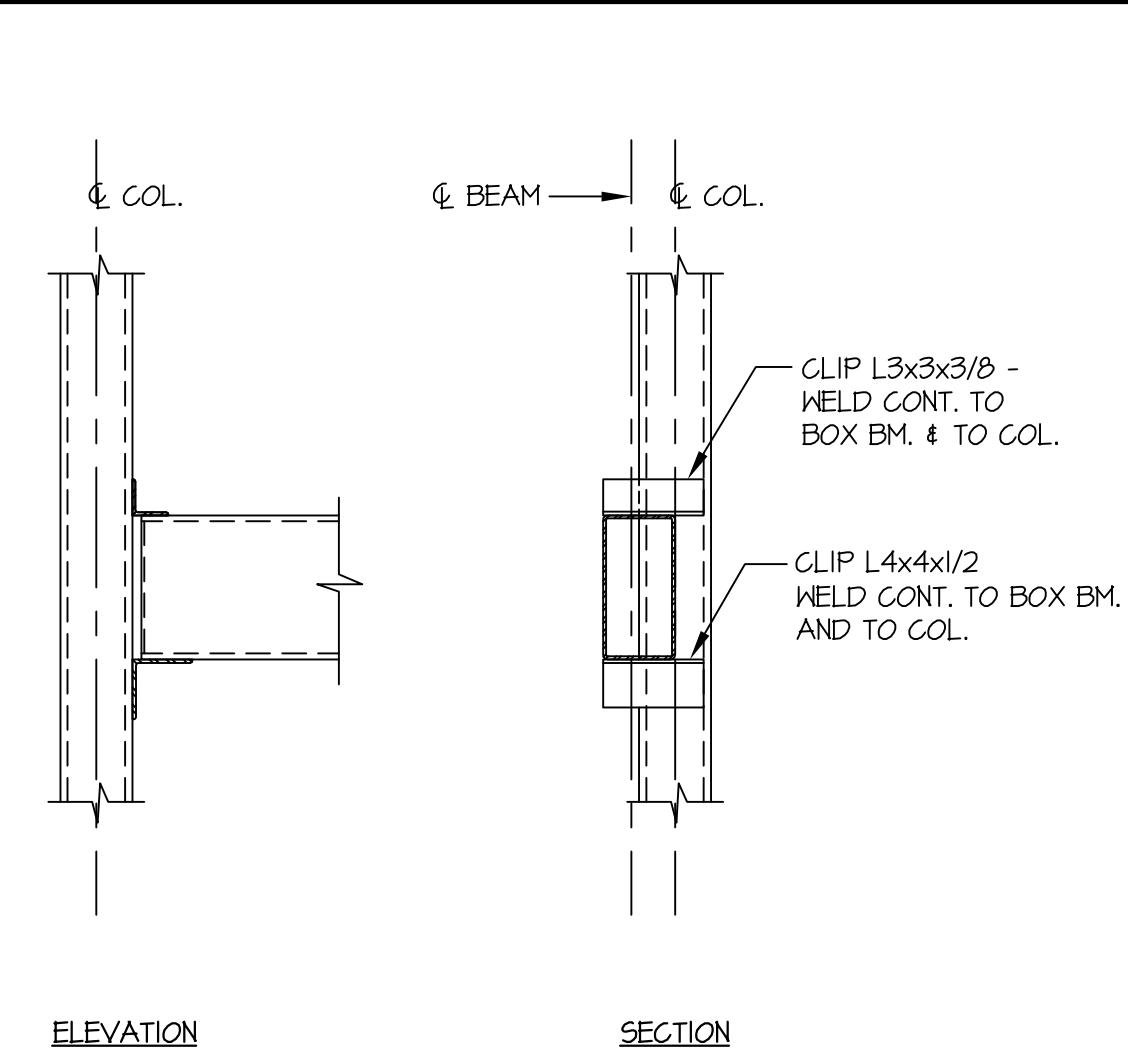


NOTES:
 1. Refer to brace elevations for brace sizes and forces.
 2. If not provided, unless noted otherwise, the brace force shall be the maximum tension and / or compression capacity of the brace. If brace forces are shown, they are factored loads (LRFD).
 3. Gusset plate shall be centered on steel beam and designed to develop brace force.
 4. Bolts and welds shall be designed by the fabricator for the vertical and horizontal components of the brace force including the effect of eccentricity. The minimum size fillet weld shall be 1/4".

HSS BRACE AT EXIST. BEAM

SCALE: 3/4" = 1'-0"

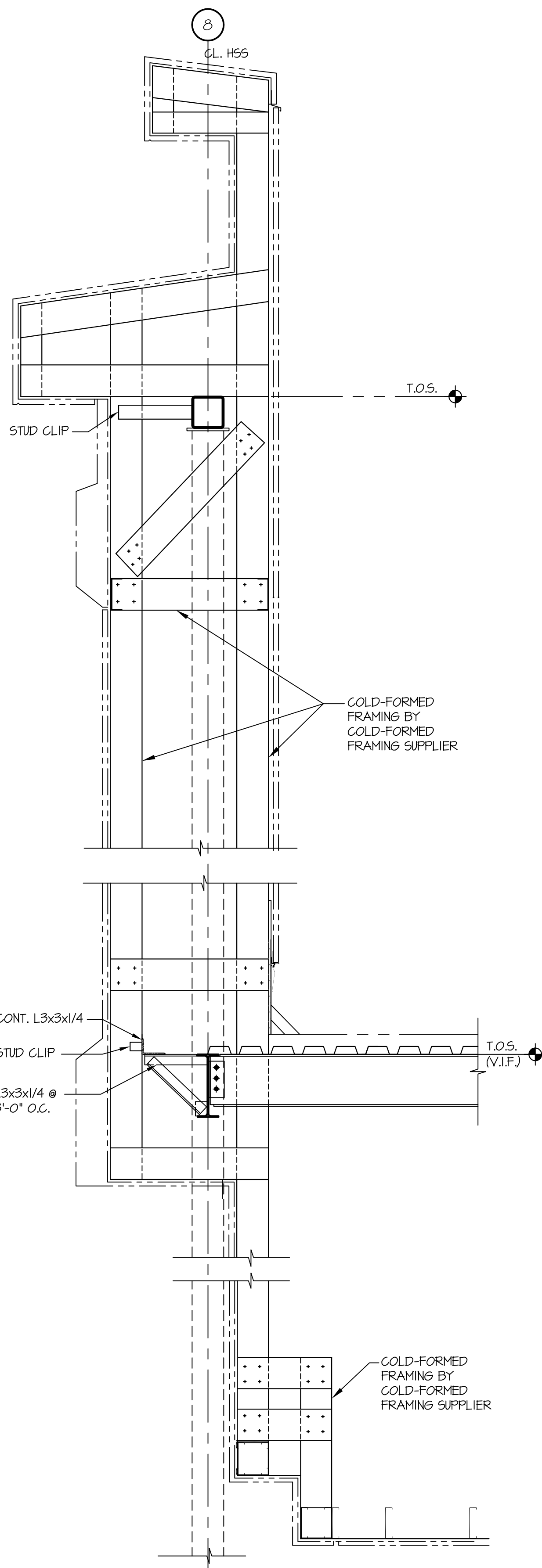
8



**TYPICAL TUBE BEAM
 TO COLUMN CONNECTION DETAIL**

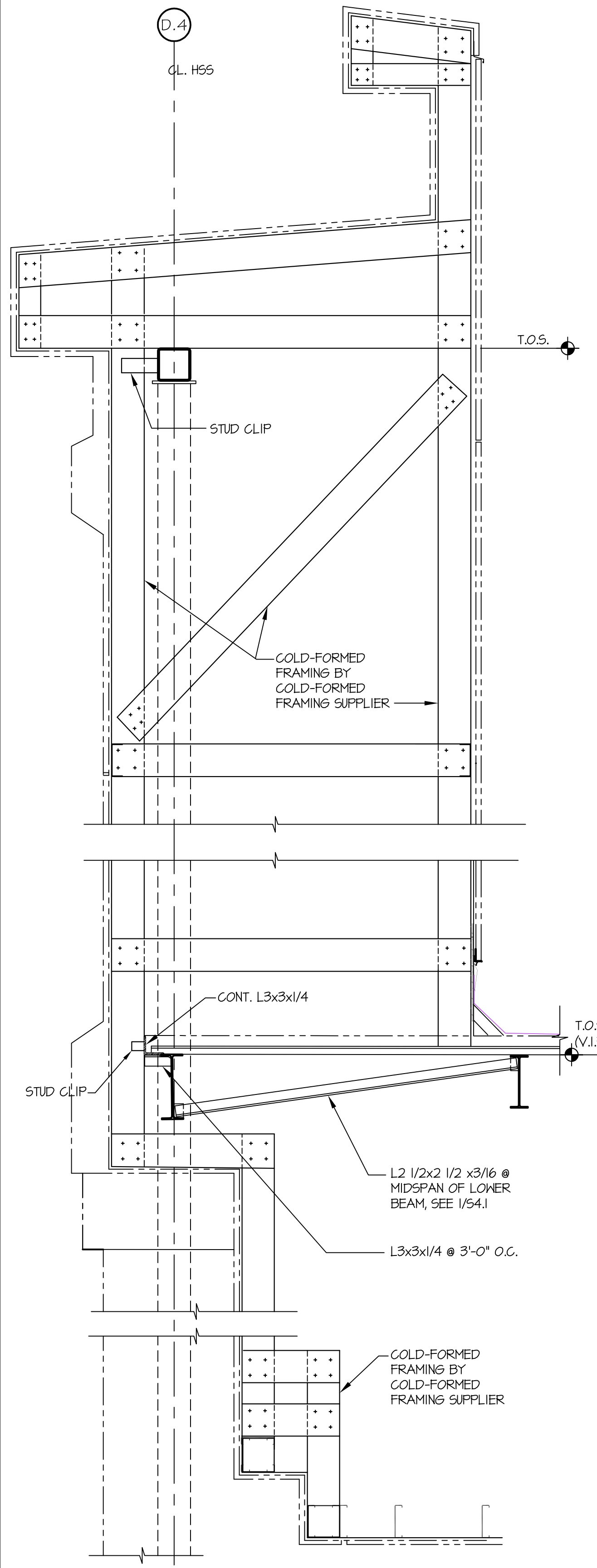
SCALE: 3/4" = 1'-0"

4



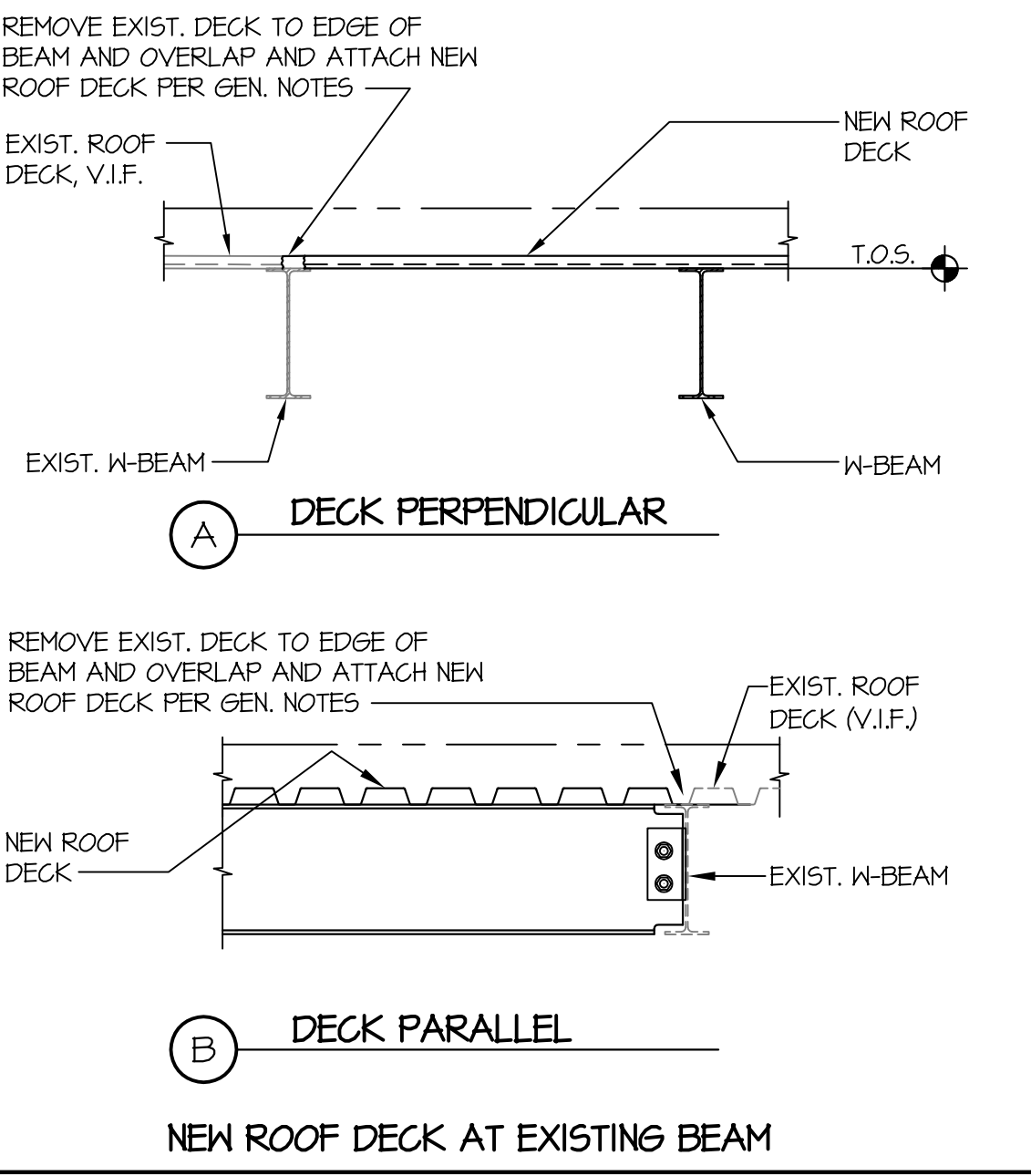
SCALE: 1/8" = 1'-0"

17



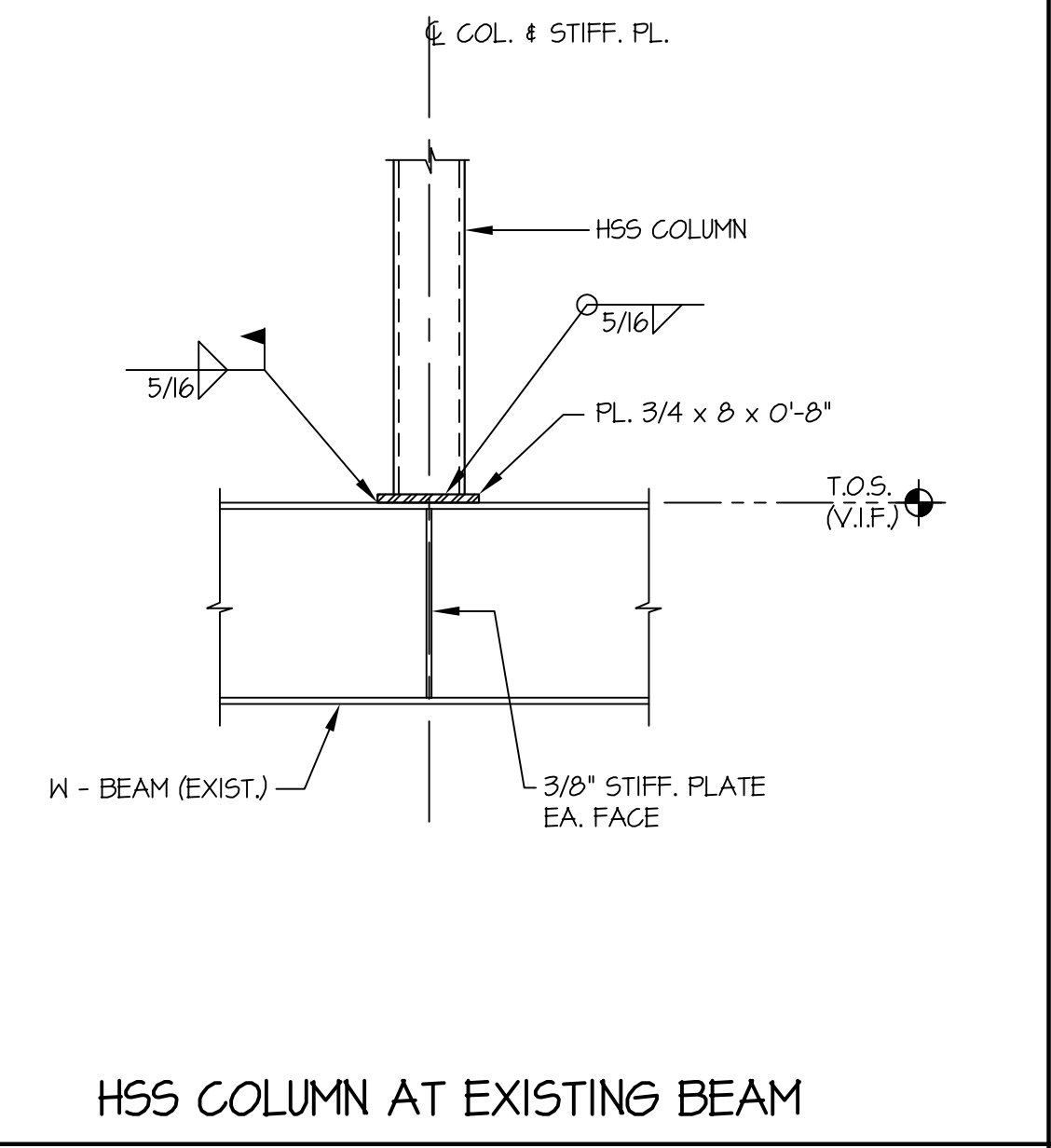
SCALE: 1/8" = 1'-0"

13



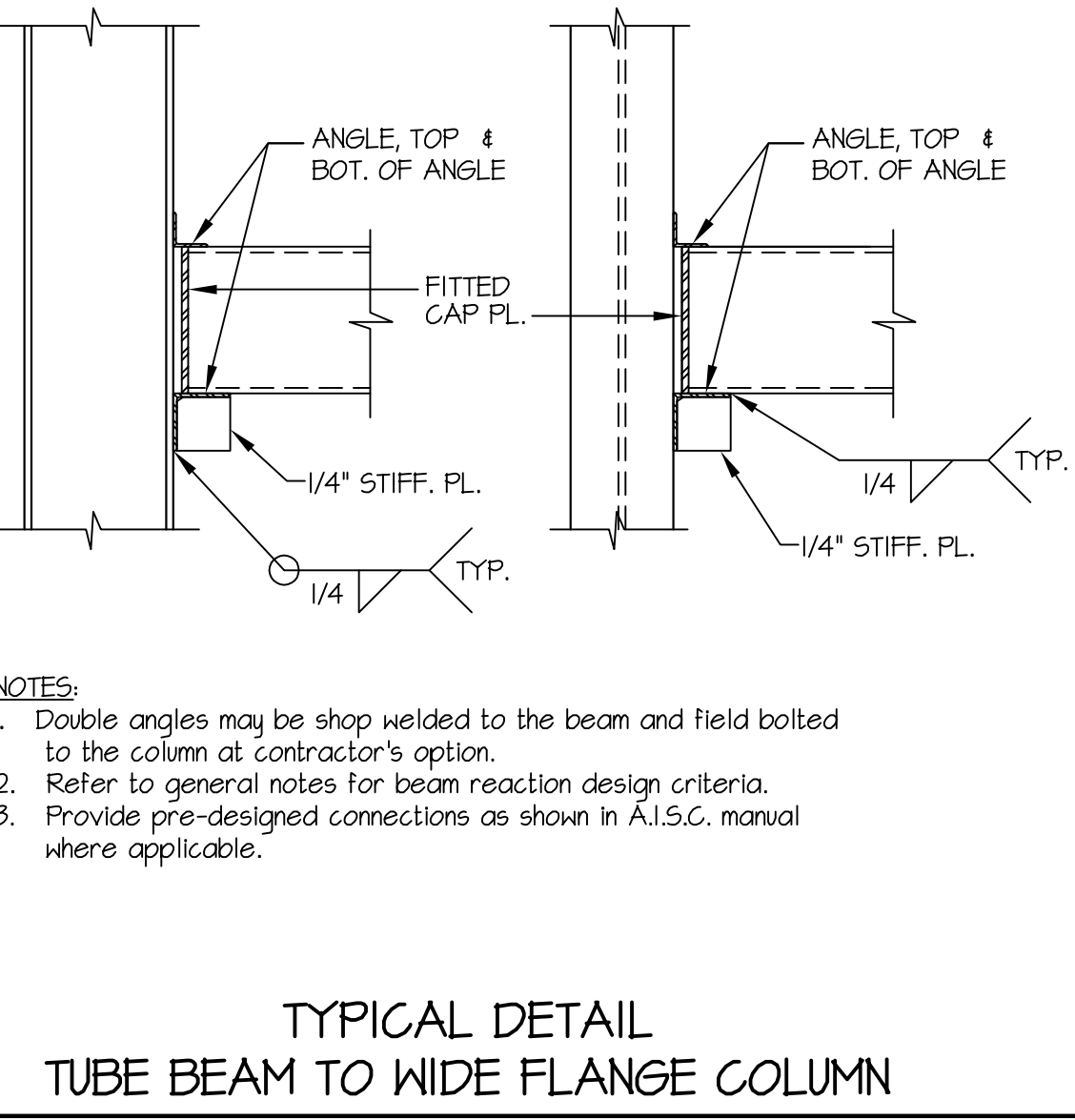
SCALE: 3/4" = 1'-0"

11



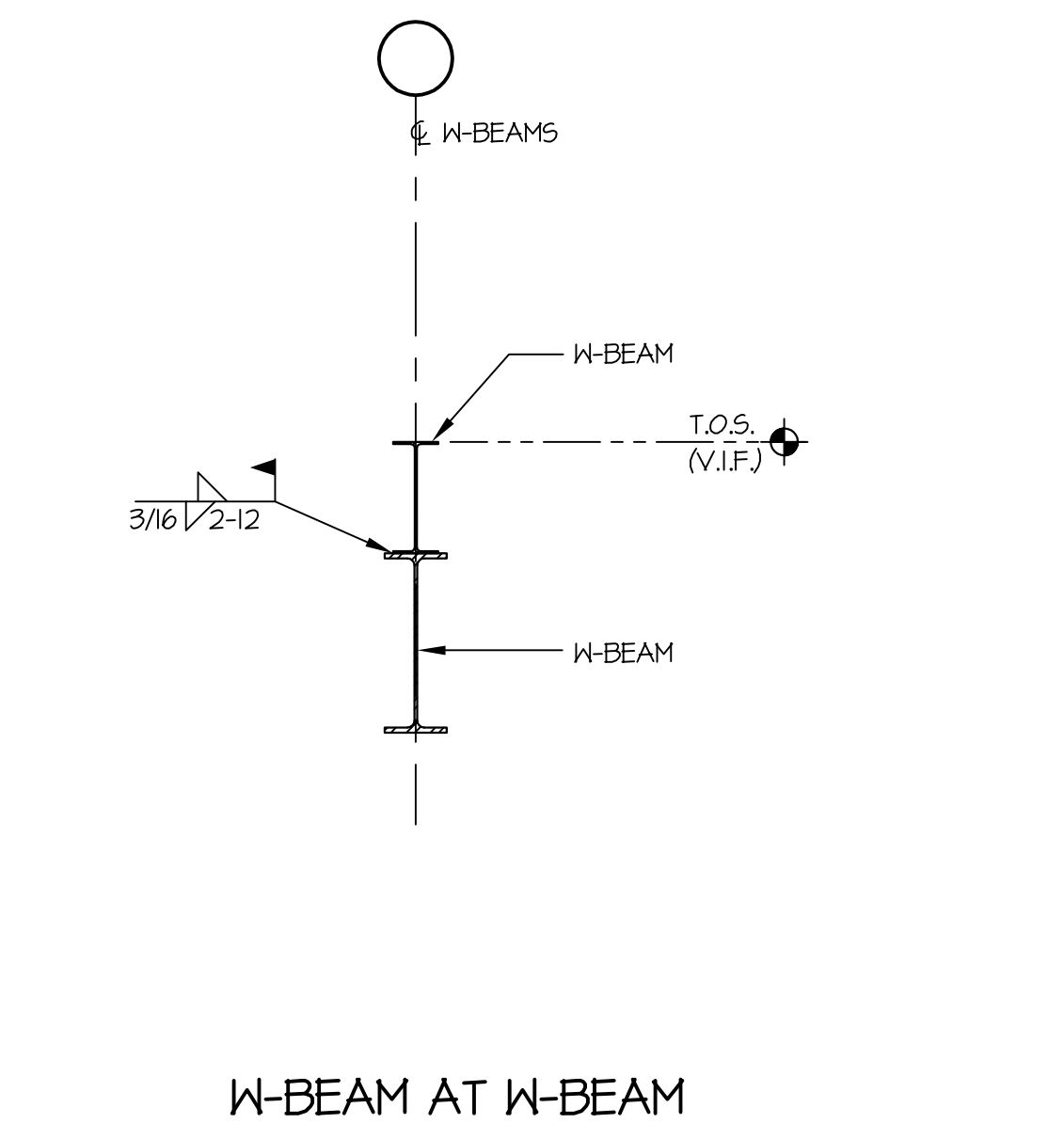
SCALE: 3/4" = 1'-0"

7



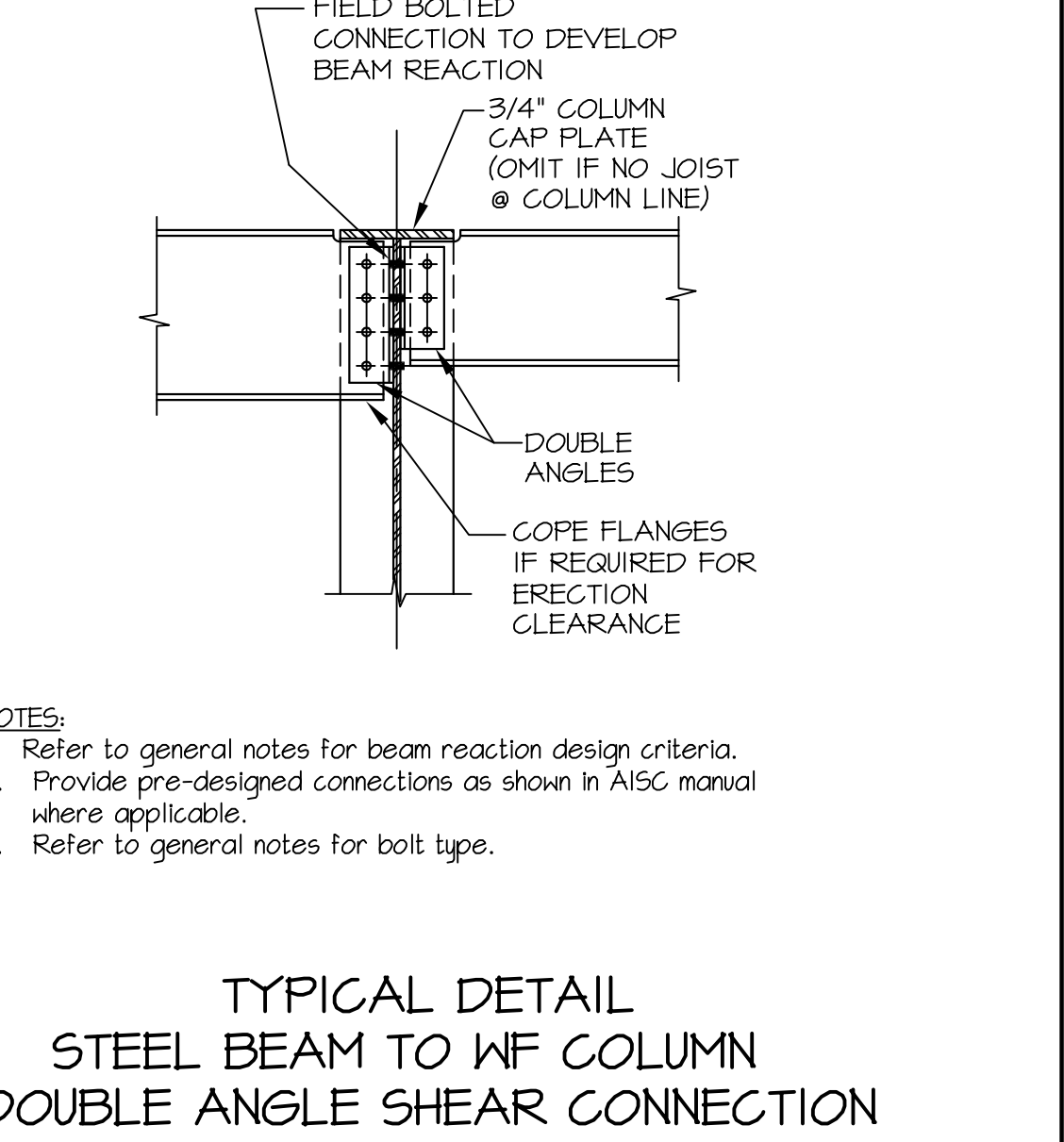
SCALE: 3/4" = 1'-0"

3



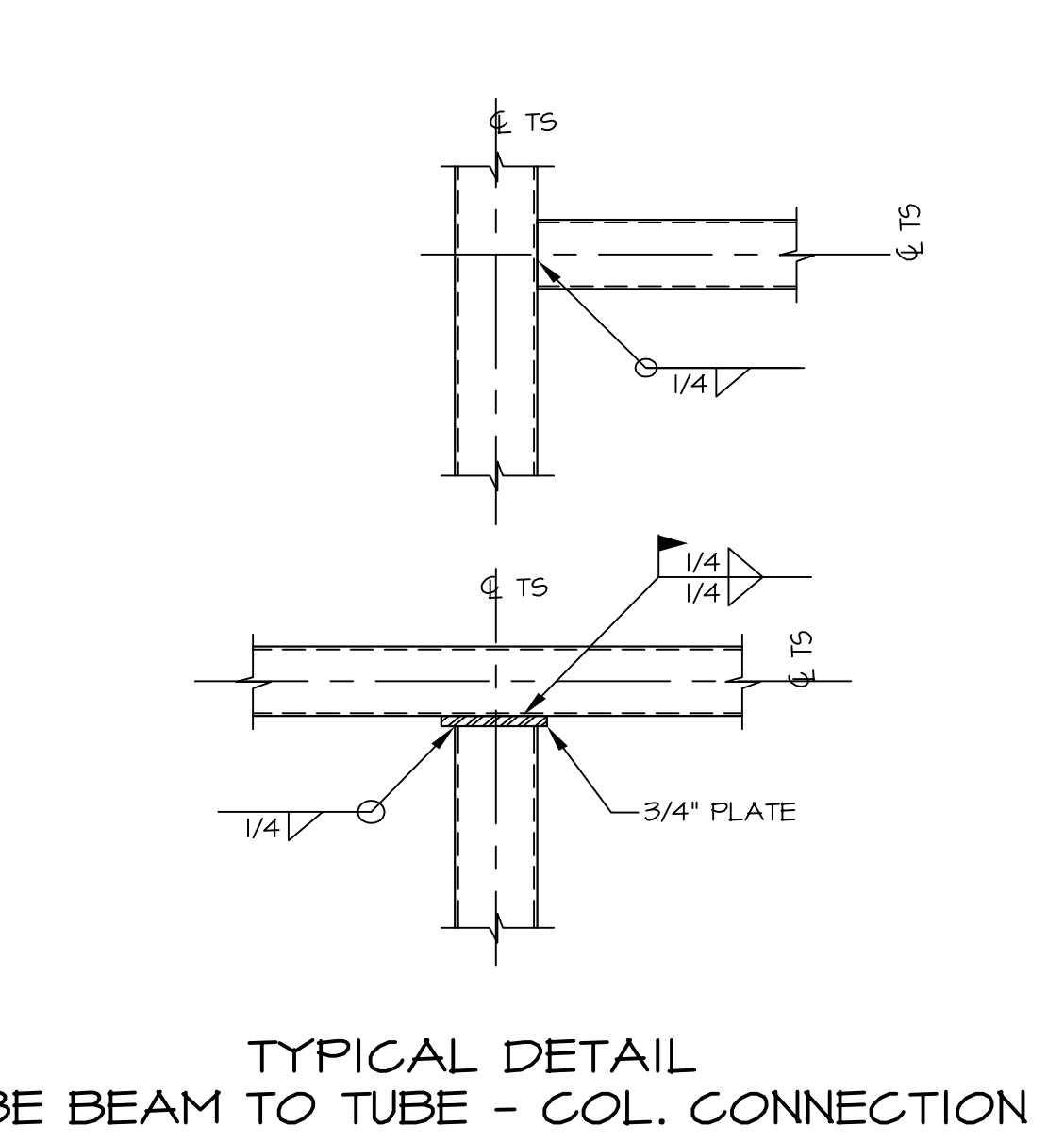
SCALE: 3/4" = 1'-0"

10



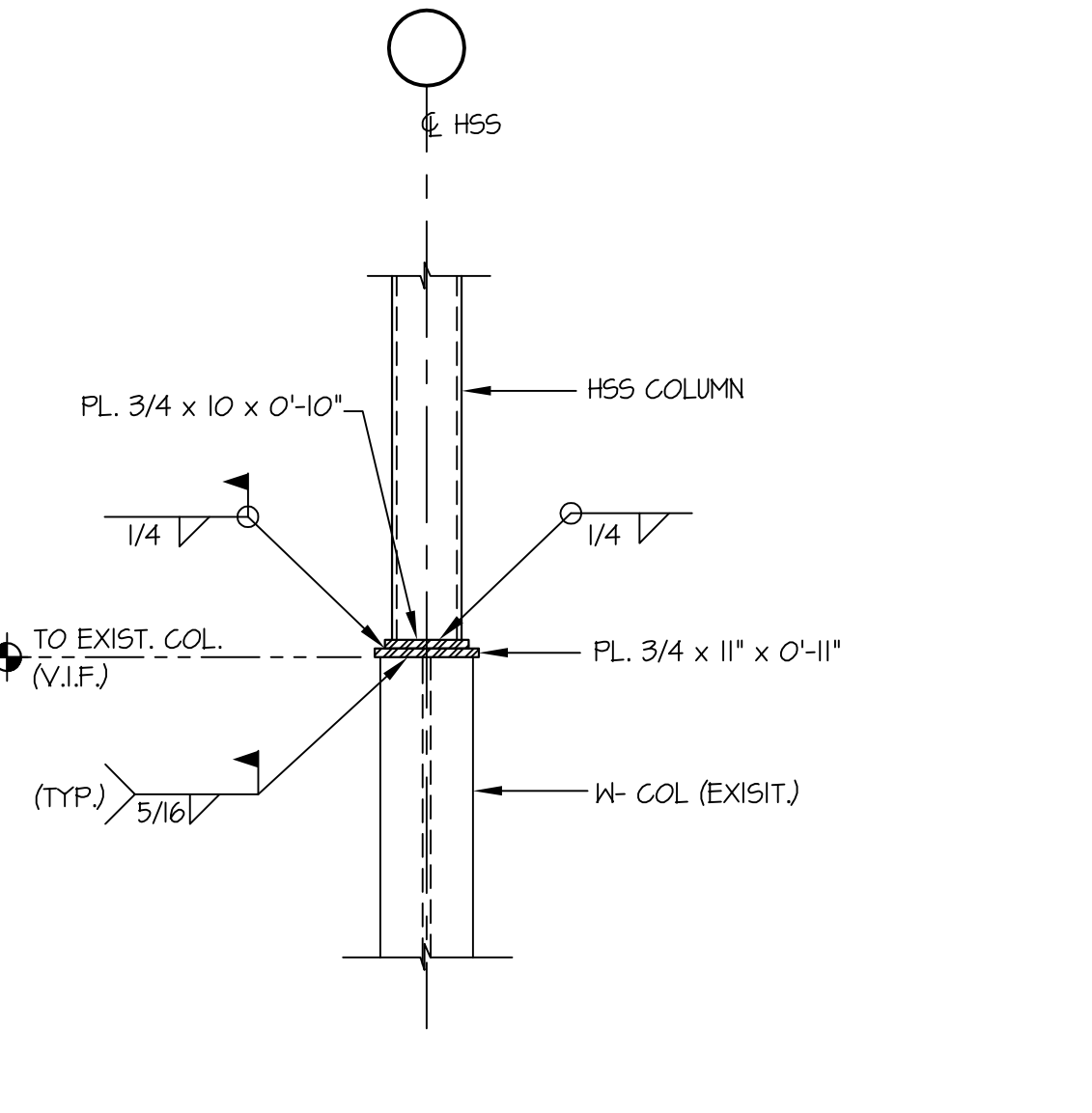
SCALE: 3/4" = 1'-0"

6



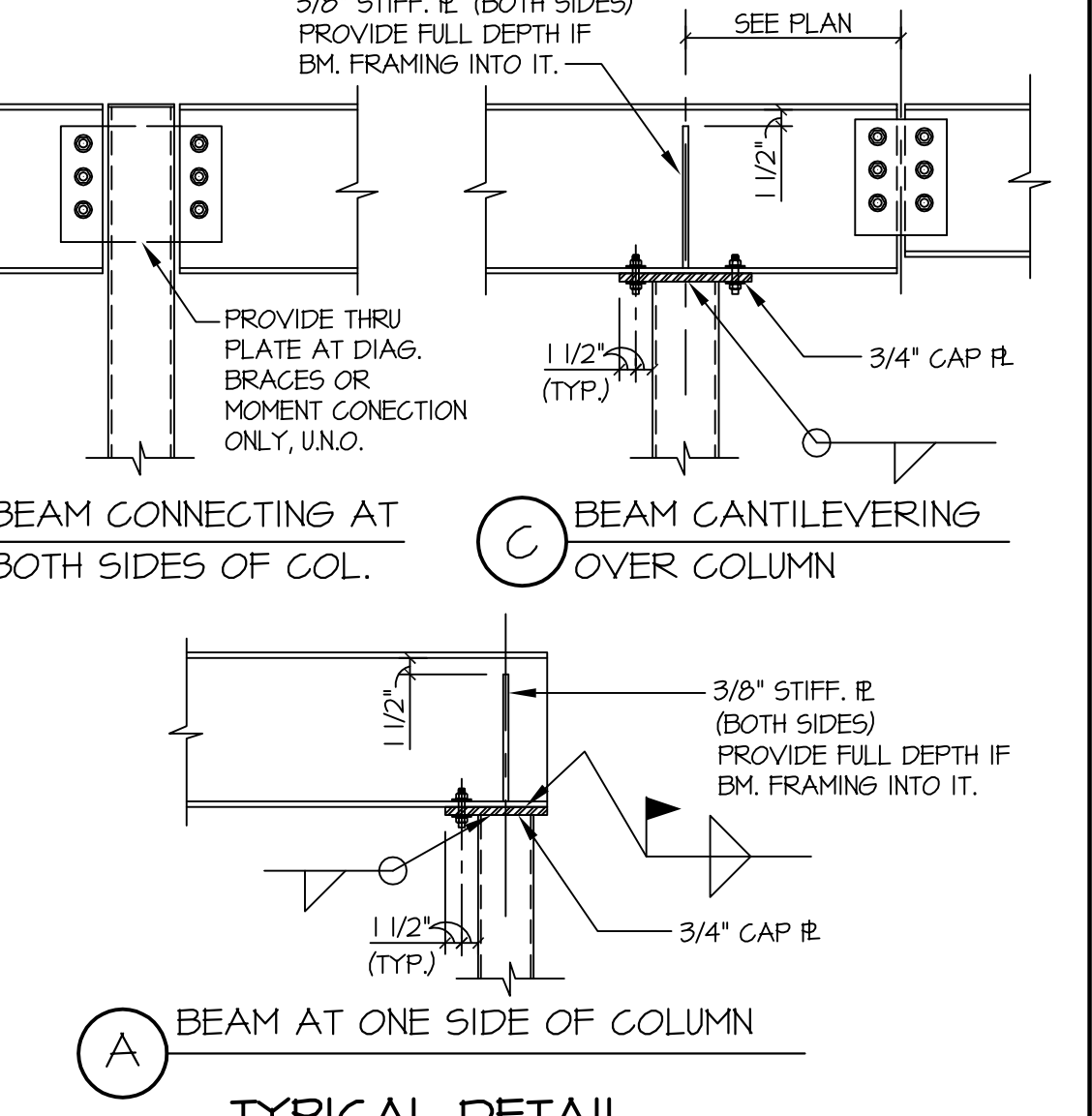
SCALE: 3/4" = 1'-0"

2



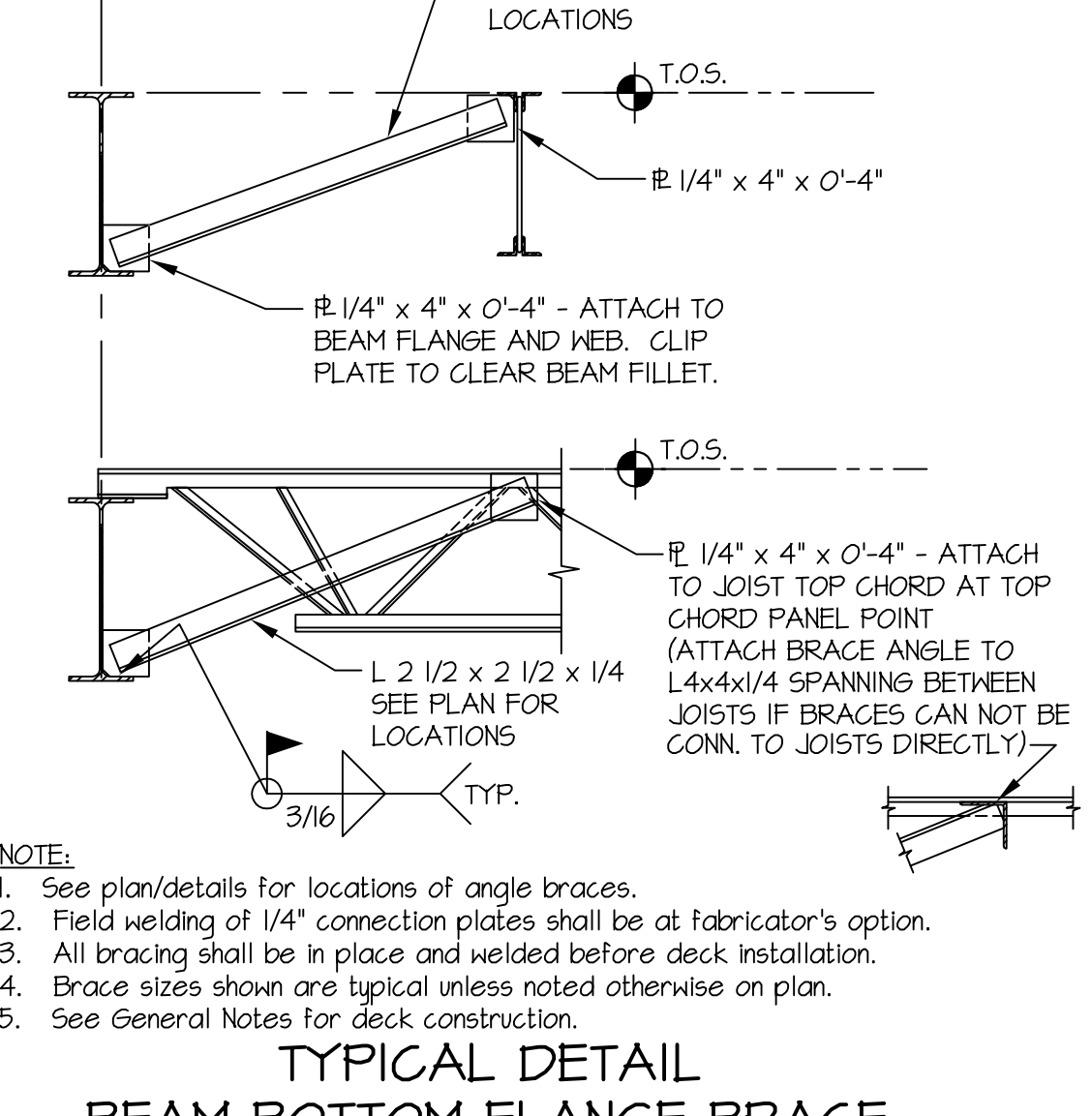
SCALE: 3/4" = 1'-0"

9



SCALE: 3/4" = 1'-0"

5



SCALE: 3/4" = 1'-0"

1

WINDLE + VOLPE
 ARCHITECTS
 7600 9TH STREET
 HOUSTON, TEXAS 77063
 PH 713-955-1390

MATRIX
 STRUCTURAL
 ENGINEERS
 2400 WEST 17TH
 SUITE 1000
 HOUSTON, TEXAS 77056-1401
 PHONE: (713) 864-2132
 FAX: (713) 864-2135
 MSE 15012

Matrix Structural Engineers
 TBE Firm Registration No. F-2040

JCPenny ENTRY RENOV.
CROSSROADS MALL
 GREENVILLE, TEXAS
GREENVILLE PROPERTIES LTD.
 GREENVILLE, TEXAS

DATE: 1/15/15
 PROJECT NO.: 08-14-03
 DRAWN BY: KV/BN

**FRAMING
 DETAILS**

S4.1

MSE-15012 12 OF 12
 COPYRIGHT © 2014 WINDLE + VOLPE Architects