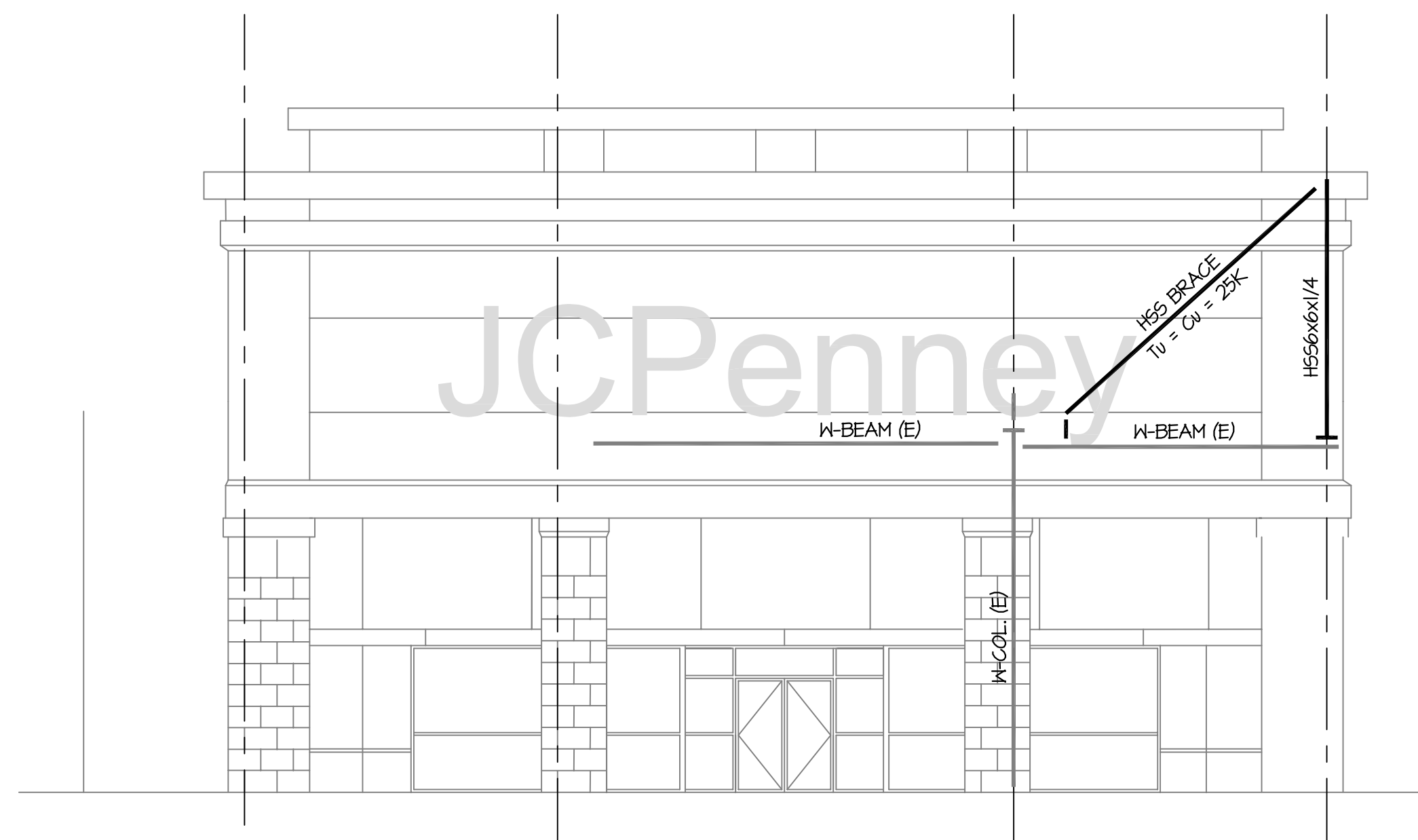
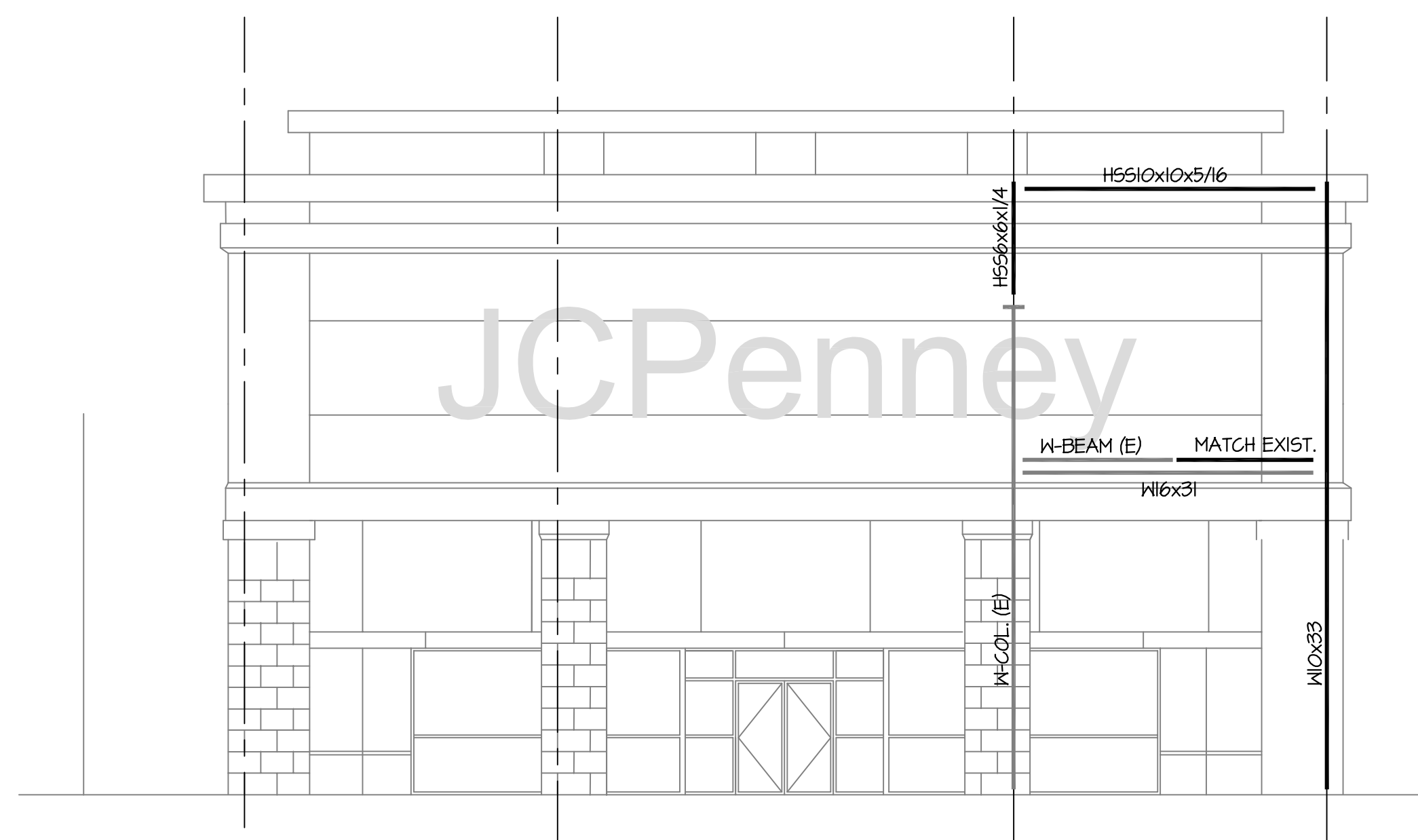


11 SIDE BRACE ELEVATION
S3.1 SCALE: 1/8" = 1'-0"



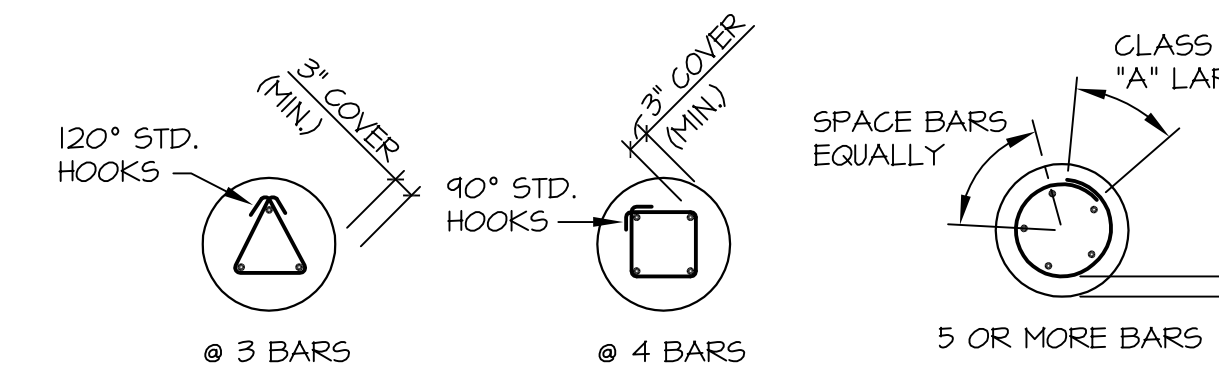
10 FRONT BRACE ELEVATION
S3.1 SCALE: 1/8" = 1'-0"



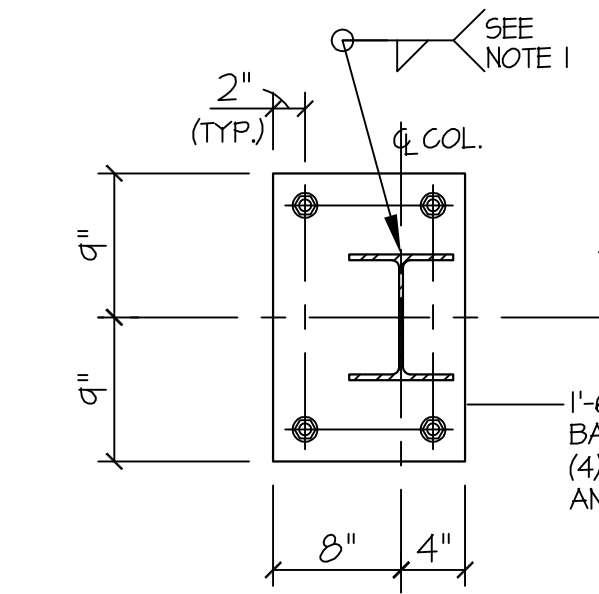
9 FRONT BRACE ELEVATION
S3.1 SCALE: 1/8" = 1'-0"

DRILLED PIER VERTICAL REINFORCEMENT SCHEDULE

SHAFT DIAMETER (INCHES)	VERTICAL REINFORCEMENT	TIES (USE #3 @ 12" U.N.O.)
12	3 - #5	
14, 16	4 - #5	
18, 20	4 - #6	
22, 24, 26	5 - #7	

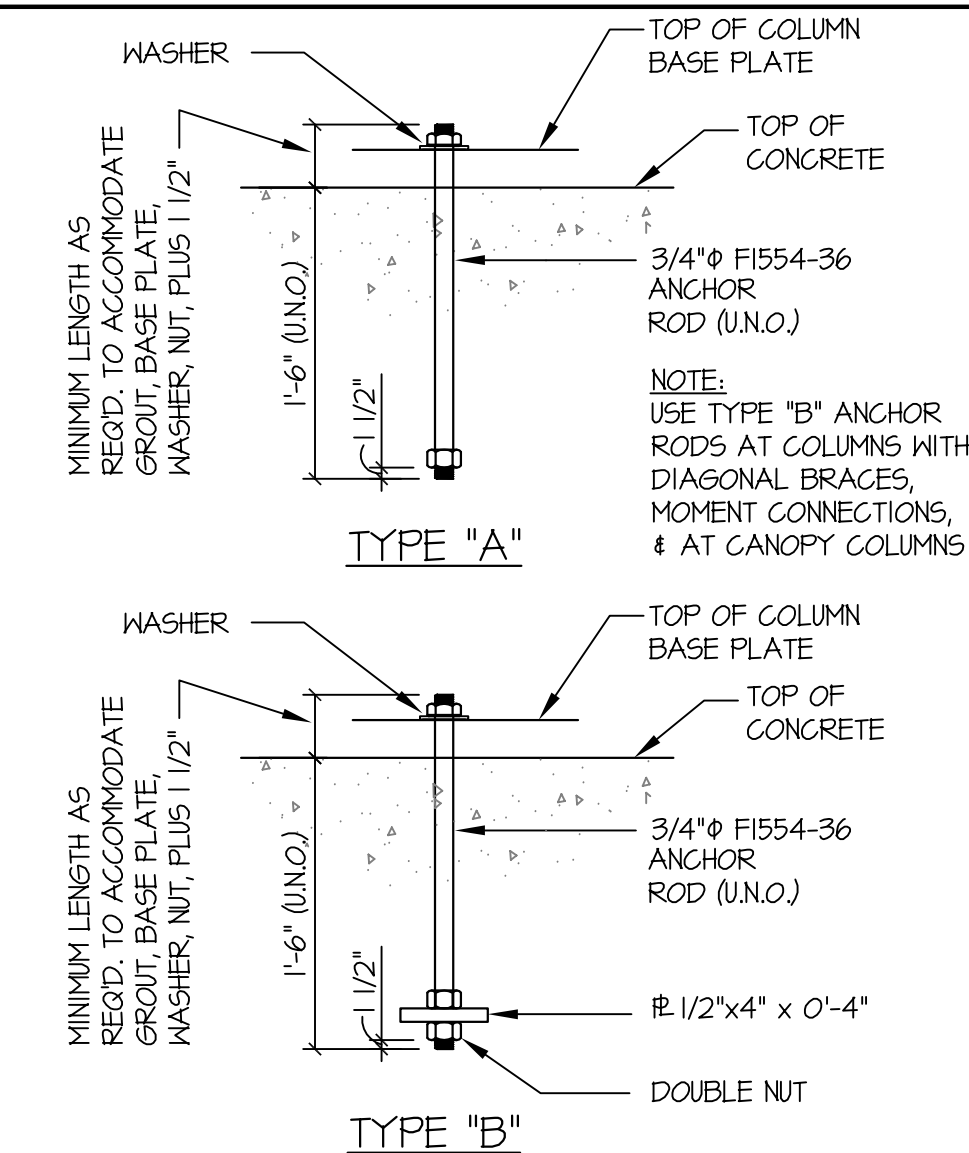


SHAFT BAR PLACEMENT PLANS

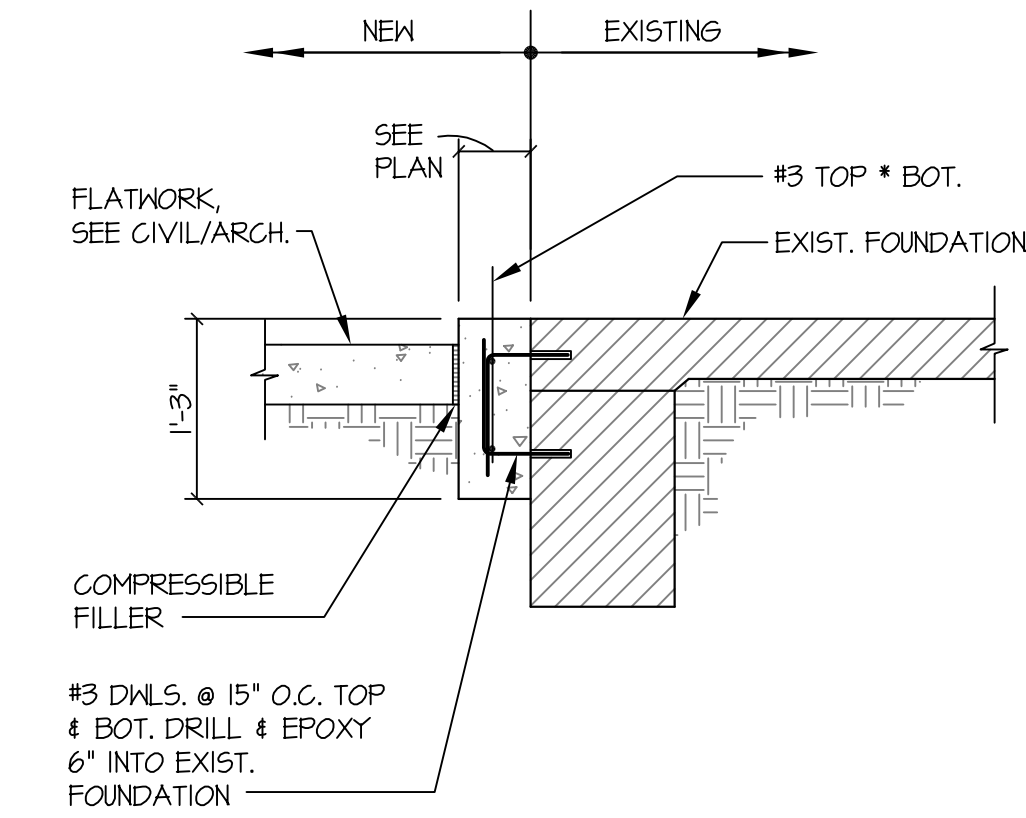


- NOTES:
- Minimum fillet weld according to AISC. (1/4" min).
 - Use oversized holes for anchor bolts according to AISC.
 - Washers shall be installed over oversized holes.
 - Contractor shall provide 1/8" thick template for anchor bolt installation.
 - All base plates shall be hot-dipped galvanized.

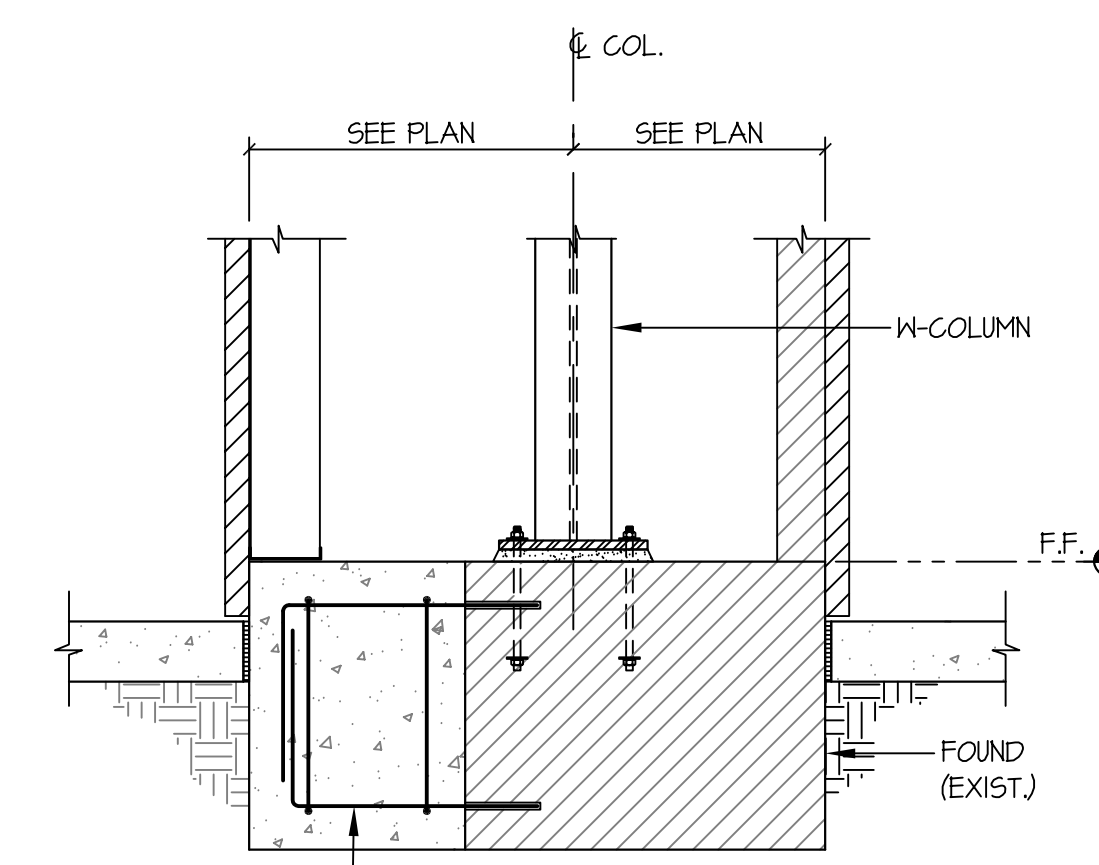
TYPICAL DETAIL
BASE PLATE AT NEW WIDE FLANGE CANOPY COLUMNS



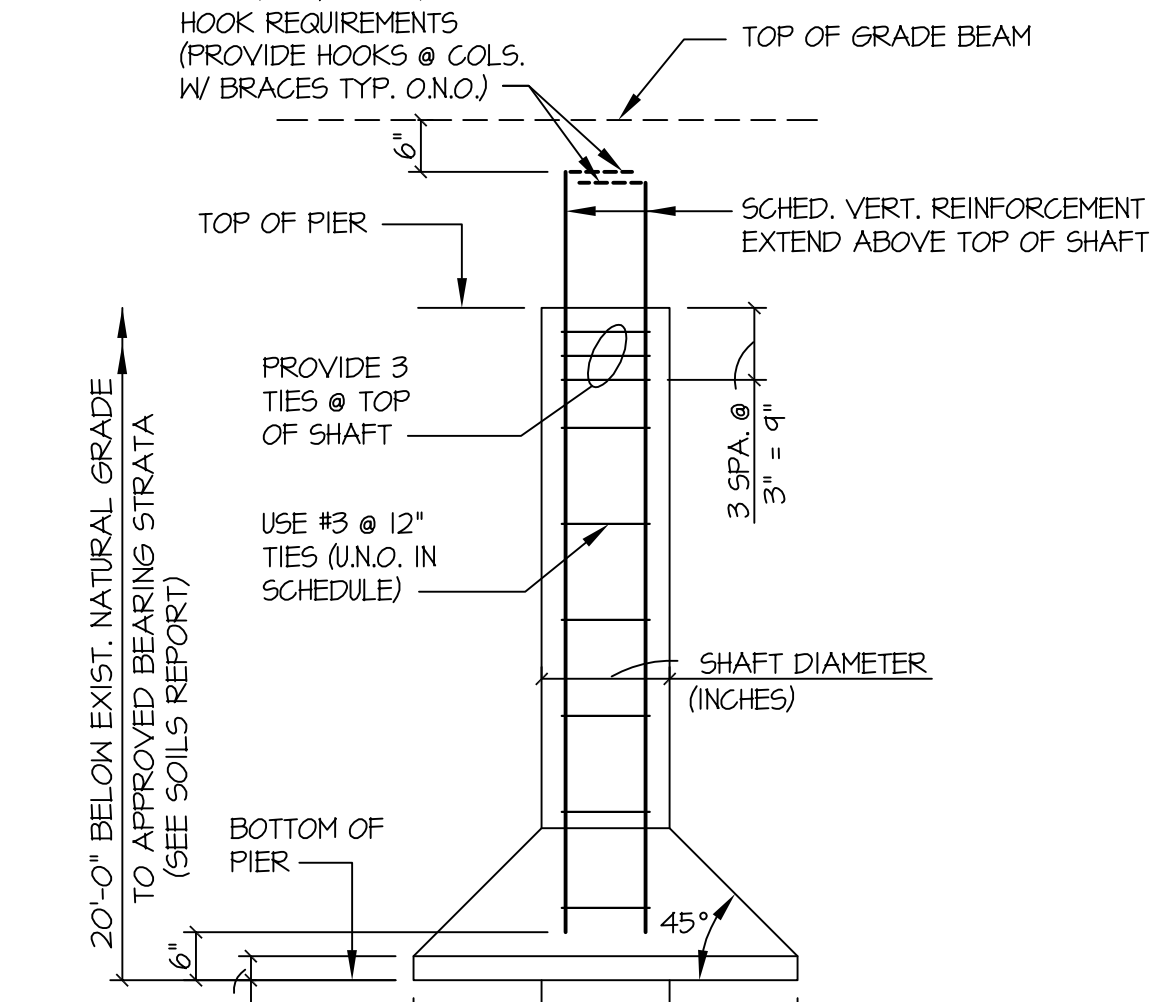
TYPICAL DETAIL
ANCHOR ROD



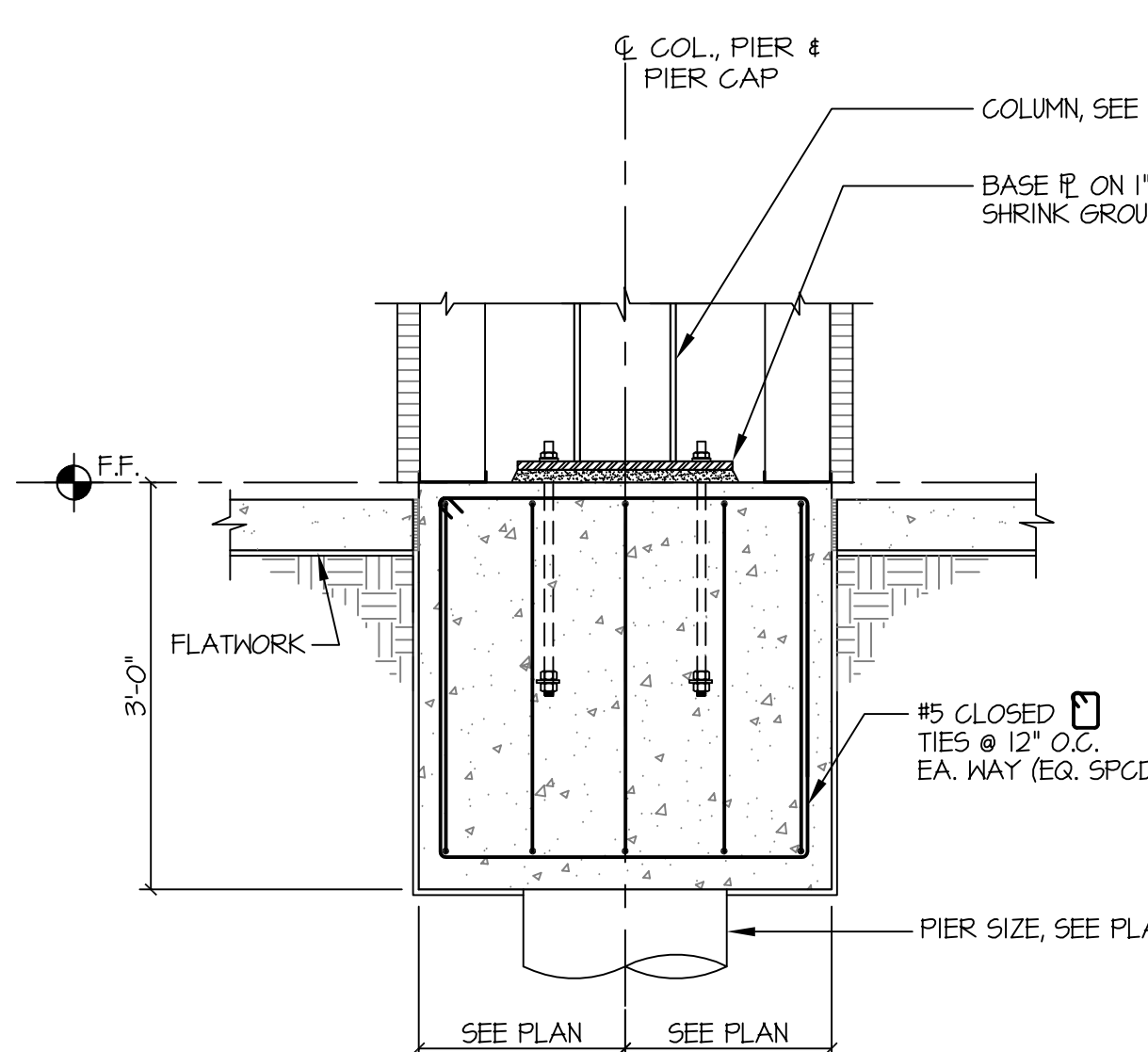
FOUNDATION AT PILASTER



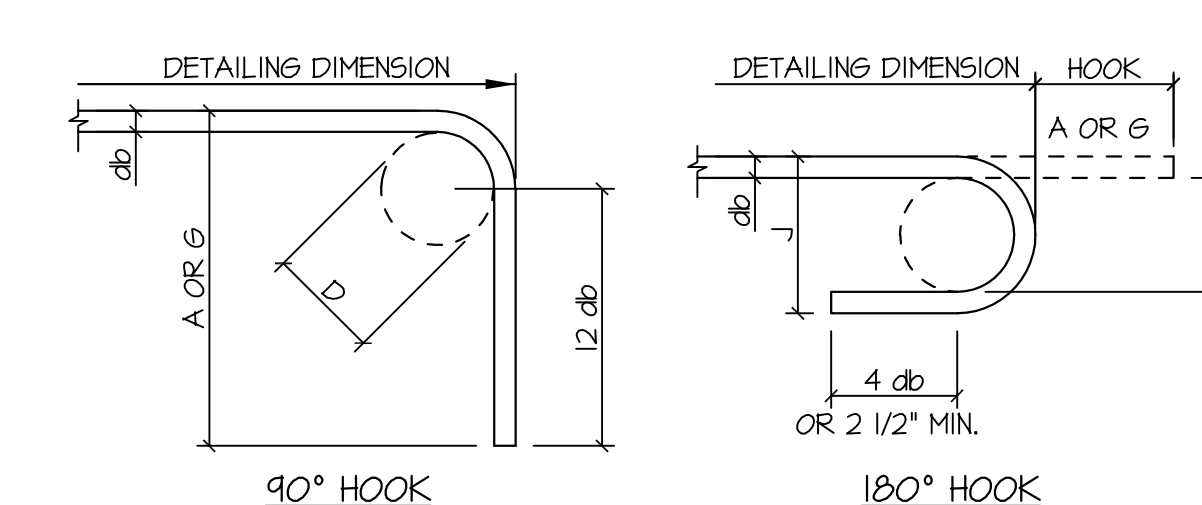
FOOTING AT EXISTING FOUNDATION



TYPICAL DETAIL
DRILLED PIER



PIER CAP AT CANOPY COLUMNS



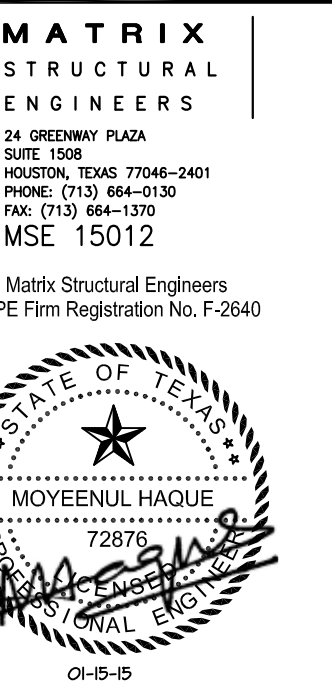
RECOMMENDED END HOOKS, ALL GRADES

BAR SIZE	FINISHED BEND DIAMETER D, (IN)	180° HOOKS		90° HOOKS	
		A OR G, (IN)	J, (IN)	A OR G, (IN)	J, (IN)
#3	2 1/4	5	3	6	6
#4	3	6	4	8	8
#5	3 3/4	7	5	10	10
#6	4 1/2	8	6	12	12
#7	5 1/4	10	7	14	14
#8	6	11	8	16	16

D = INSIDE DIAMETER OF BEND

END HOOK TYPES

WINDLE + VOLPE
ARCHITECTS
7600 9TH STREET
HOUSTON, TEXAS 77065
PH 713-955-1390



JCPenny ENTRY RENOV.
CROSSROADS MALL
GREENVILLE, TEXAS
GREENVILLE PROPERTIES LTD.
GREENVILLE, TEXAS

DATE	1/15/15	DRAWN BY	KV/BN
PROJECT NO.	08-14-03		

FOUNDATION
DETAILS &
BRACE
ELEVATIONS
S3.1