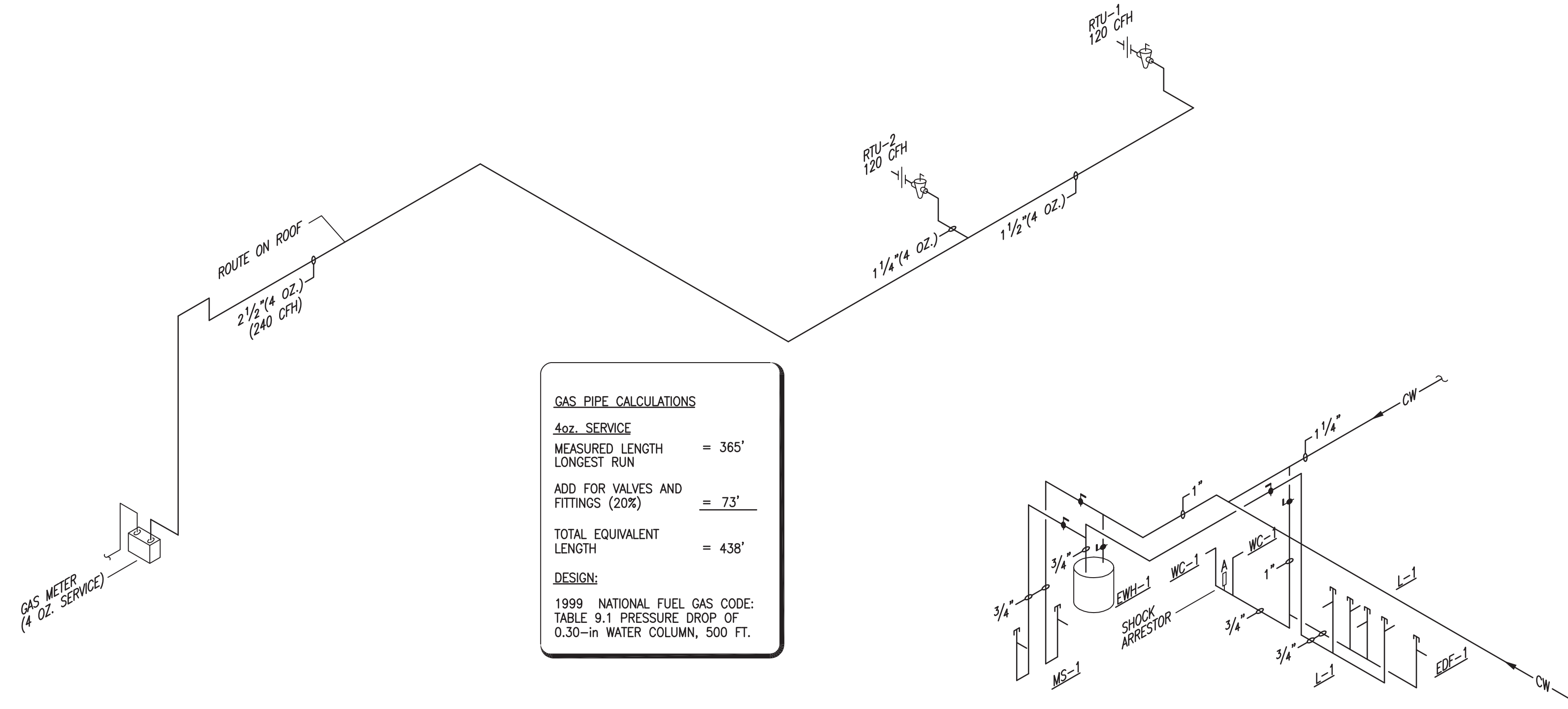


PLUMBING GENERAL NOTES

1. REFERENCE SHEET P2.01 FOR PLUMBING GENERAL NOTES, SCHEDULES, SPECIFICATIONS AND DETAILS.

PLUMBING KEYED NOTES

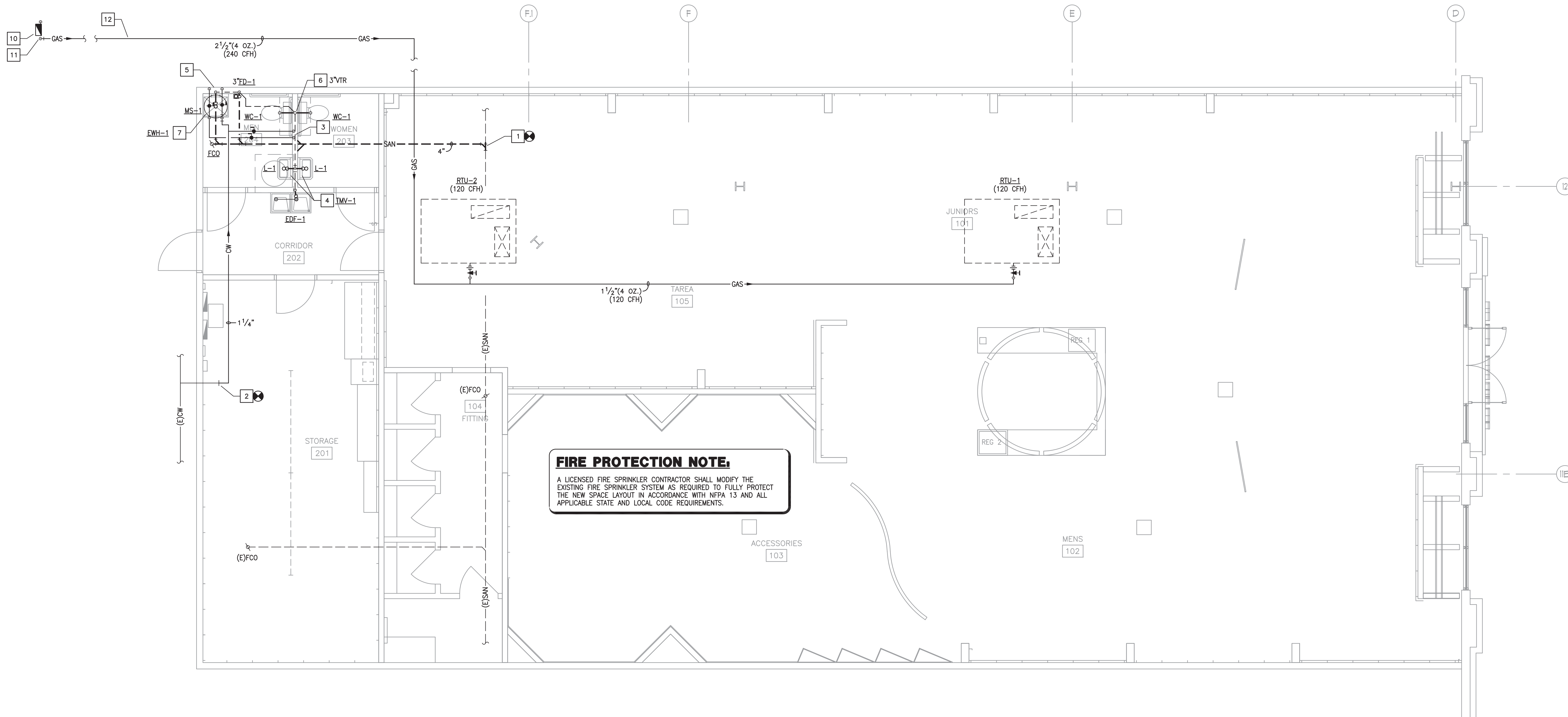
- 1 MODIFY AS REQUIRED AND CONNECT NEW 4" SANITARY WASTE TO EXISTING 4" OR LARGER WASTE. FIELD VERIFY EXACT LOCATION, AVAILABLE DEPTH AND CONDITION OF EXISTING PIPING.
- 2 MODIFY AS REQUIRED AND CONNECT NEW 1 1/2" COLD WATER LINE TO EXISTING 1 1/2" OR LARGER COLD WATER LINE ABOVE CEILING. FIELD VERIFY EXACT LOCATION AND CONDITION OF EXISTING PIPING.
- 3 DROP AND EXTEND 1" COLD WATER AND 3/4" HOT WATER TO SERVE FIXTURES. PROVIDED SHOCK ARRESTOR.
- 4 PROVIDE 1/2" HOT AND COLD WATER TO THERMOSTATIC MIXING VALVE TO SERVE LAVATORY.
- 5 DROP AND EXTEND 3/4" HOT AND COLD WATER TO SERVE FIXTURE.
- 6 ROUTE VENT PIPING WITHIN JOIST SPACE. VENT THROUGH ROOF. MINIMUM 10'-0" DISTANCE FROM ANY FRESH AIR INTAKE OR 5'-0" AWAY FROM EXTERIOR WALL.
- 7 PROVIDE ELECTRIC WATER HEATER (EWH-1) ON PLATFORM ABOVE CEILING. ROUTE DRAIN LINES TO NEAREST FLOOR DRAIN. REFER TO PLUMBING SCHEDULES AND DETAILS FOR FURTHER INFORMATION.



4 NATURAL GAS RISER DIAGRAM
SCALE: NONE

3 DOMESTIC WATER RISER
SCALE: NONE

2 SANITARY WASTE AND VENT RISER
SCALE: NONE



1 PLUMBING FLOOR PLAN
SCALE: 1/4" = 1'-0"

Hermes Architects
K&M PROJECT # 030101

AKME
KALMANS MARSHALL ENGINEERS, INC.
HOUSTON | DALLAS/FT. WORTH | BAYTOWN
19300 W. Sam Houston Parkway West, Suite 900
HOUSTON, TEXAS 77058
REGISTRATION # E-4111

Members A.I.A.
1177 West Loop South, Ste 500
Houston, Texas 77027
Tel 713-785-3644
www.hermesarchitects.com

THIS DOCUMENT IS RELEASED FOR THE PURPOSE OF REVIEW UNDER THE AUTHORITY OF BRADLEY KALMANS, P.E. 80219 ON SEPTEMBER 2, 2011. IT IS NOT TO BE USED FOR CONSTRUCTION PURPOSES.

CROSSROADS MALL
RUE 21
6834 WESLEY STREET
GREENVILLE, TEXAS 75401

Crossroads
GREENVILLE PROPERTIES LTD.

GREENVILLE PROPERTIES, LTD.
10850 WILCHIRE BLVD.
SUITE 1050
LOS ANGELES, CA 90024

DATE	SEPTEMBER 2, 2011
PROJECT NO.	809501
DRAWN BY	
CHECKED BY	

PLUMBING FLOOR PLAN

P1.01