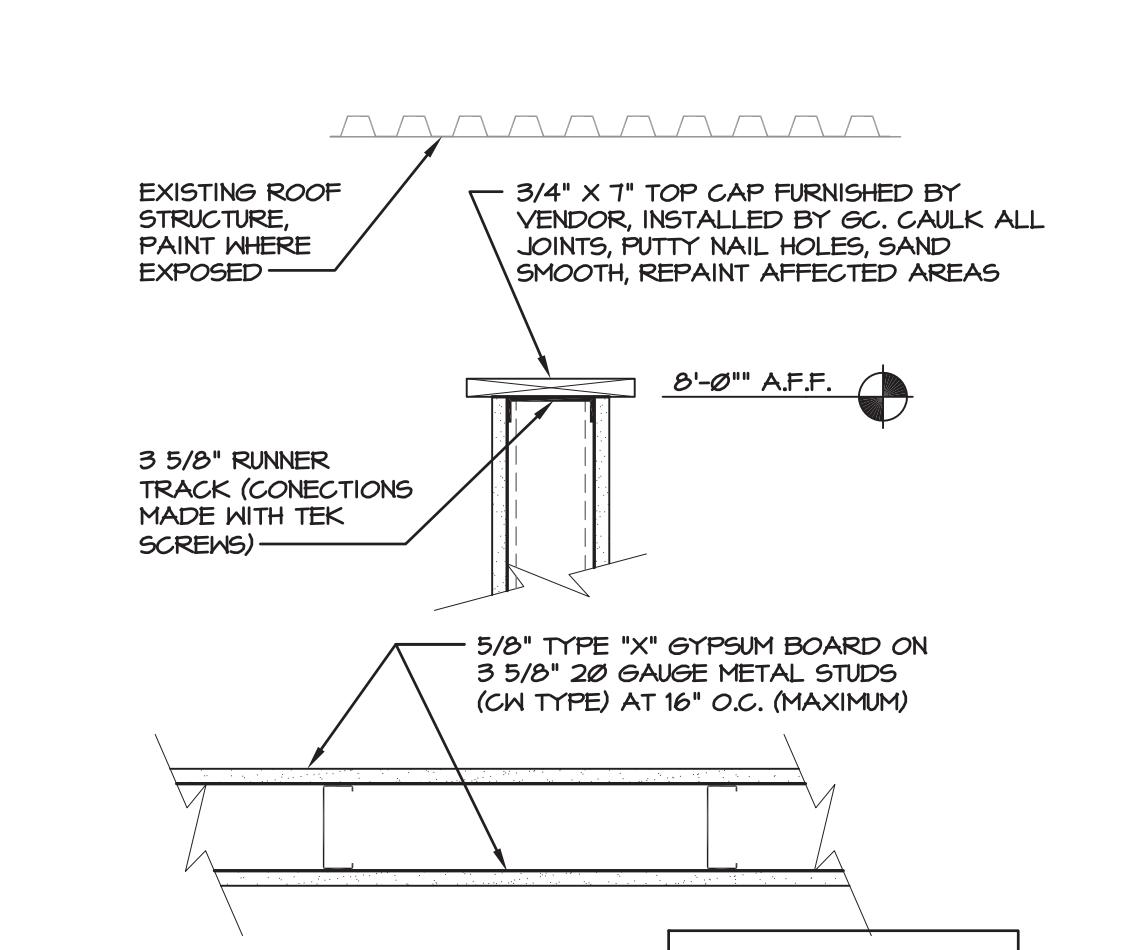
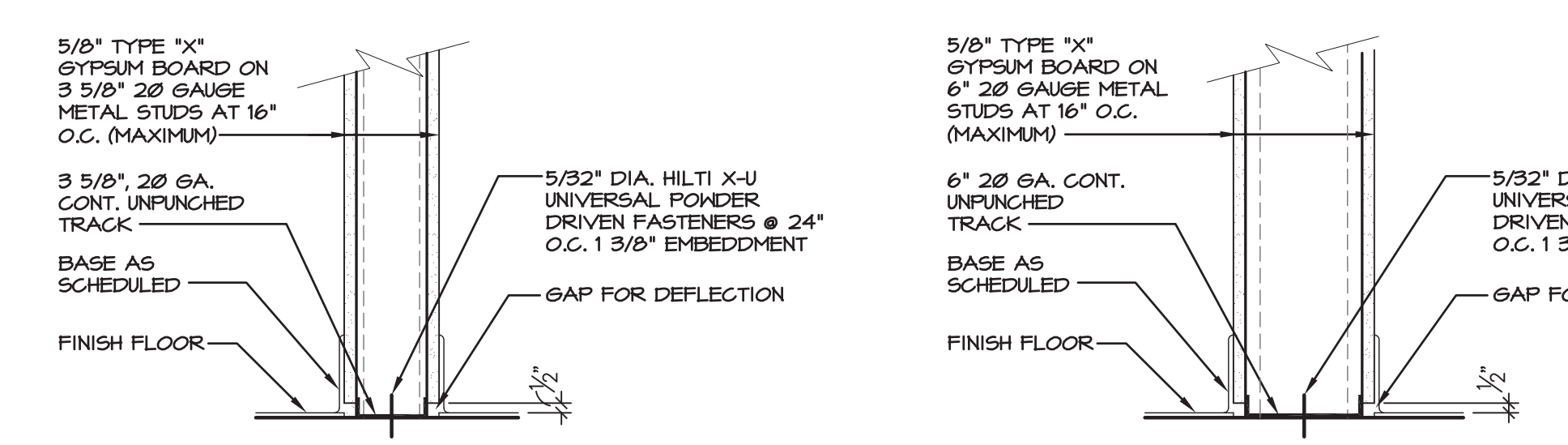
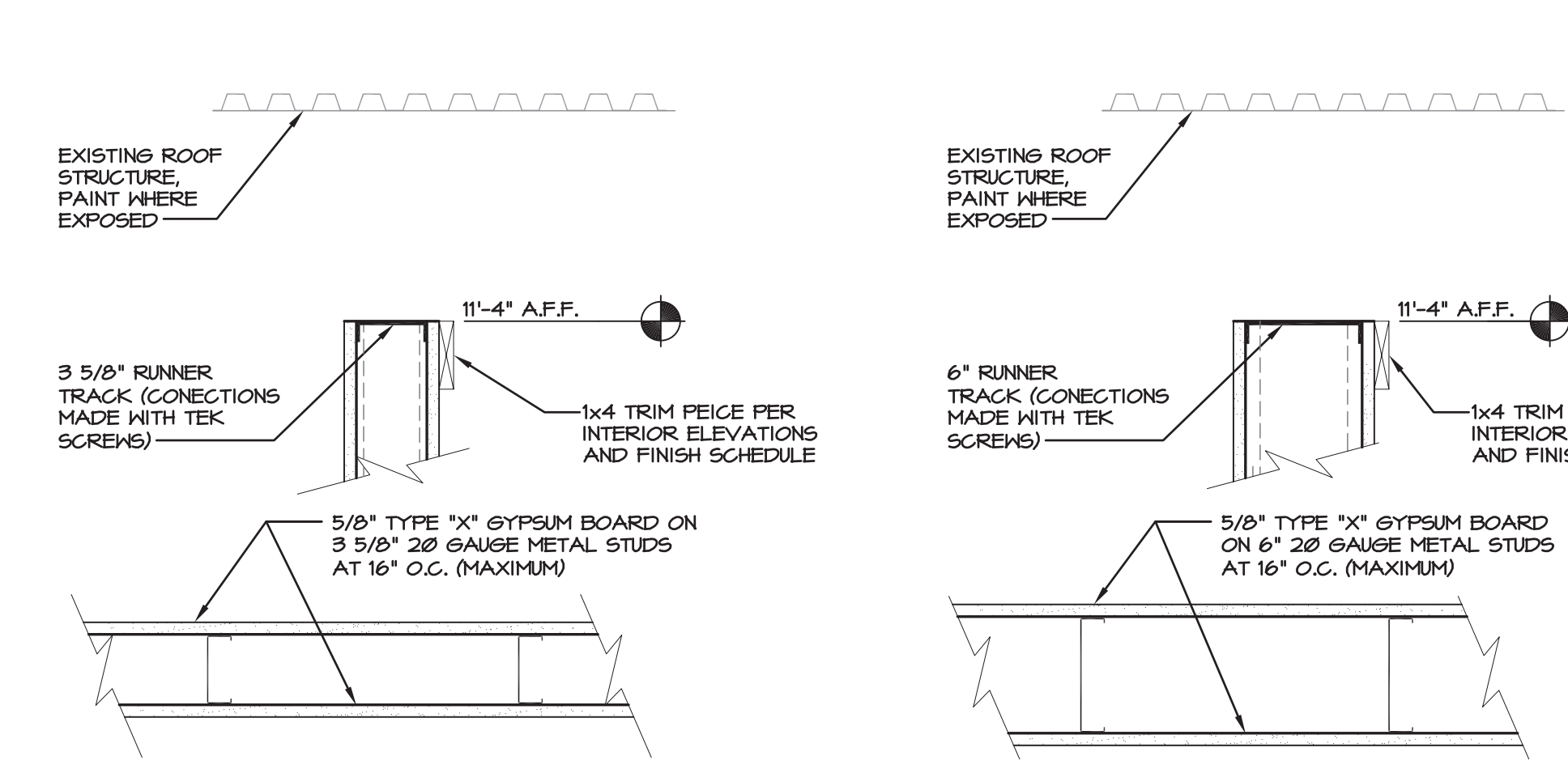
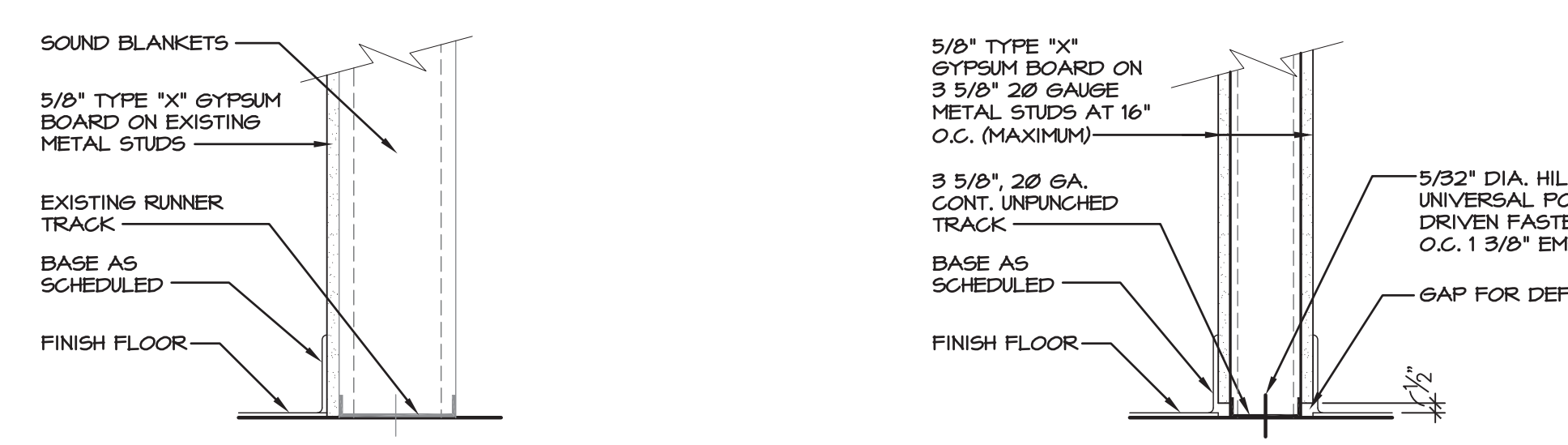
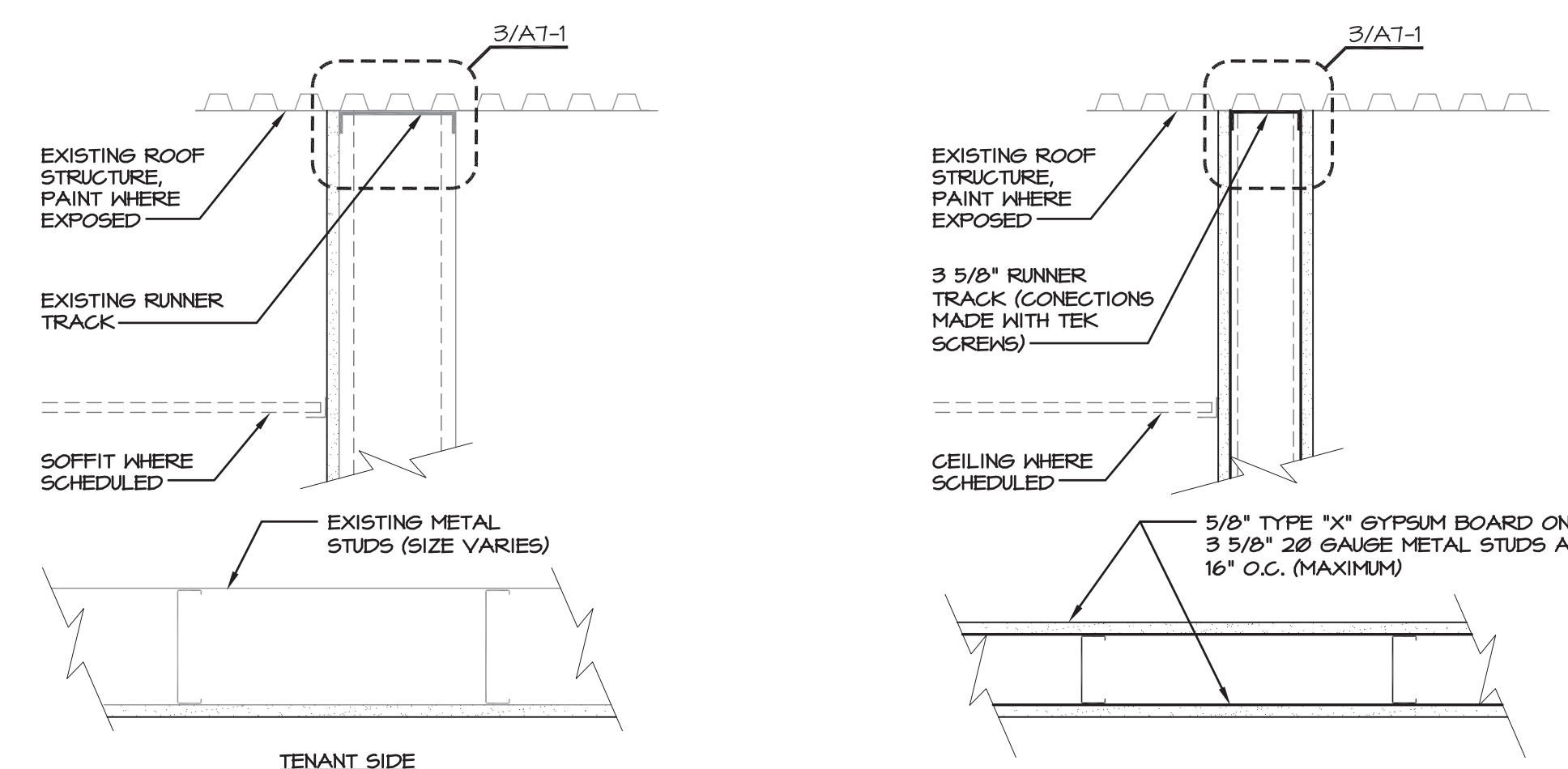


PARTITION NOTES

1. ATTACH DEFLECTION TRACK TO METAL DECK W/ SHEET METAL SCREENS AT 16" O.C.
2. INSTALL METAL STUDS INSIDE DEFLECTION TRACK, LOOSE FASTEN IN SLOTTED HOLES TO ALLOW FOR DEFLECTION.
3. SECURE GYP. BOARD TO STUDS BUT NOT TO DEFLECTION TRACK.
4. GAGE AND DEPTH OF METAL STUDS SHALL BE BASED ON 5 PSF HORIZONTAL LOADING. SUBMIT DESIGN CERTIFICATION.
5. SECURE METAL STUD TRACK TO SLAB WITH 5/32" DIAMETER HILTI X-U UNIVERSAL POWDER DRIVEN FASTENERS @ 24" O.C. (MAXIMUM AND 1 3/8" EMBEDMENT).
6. ALL RESTROOMS TO RECEIVE WATER RESISTANT GYPSUM BOARD.
7. REFER TO REFLECTED CEILING PLAN ON SHEET A8-1 FOR CEILING AND FURR-DOWN LOCATIONS.
8. REFER TO FINISH FLOOR PLAN AND FINISH SCHEDULE ON SHEET A10-1 FOR ALL FINISH LOCATIONS AND MATERIALS.
9. PARTIAL HEIGHT PARTITION SPANS BETWEEN WALLS - AFFIX RIGIDLY TO ADJACENT WALLS FOR LATERAL BRACING.

ACCESSIBILITY NOTES:

1. MAXIMUM THRESHOLD HEIGHT IS 1/2" WITH A BEVELED SLOPE NO GREATER THAN 1:2.
2. OPERATING DEVICES ON ACCESSIBLE DOORS ARE NO HIGHER THAN 48" A.F.F.
3. DOOR CLOSERS ARE A TYPE LABELED FOR ACCESSIBILITY AND ARE ABLE TO BE ADJUSTED FOR A SNEEP PERIOD SUCH THAT FROM AN OPEN POSITION OF 90 DEGREES, THE DOOR WILL TAKE AT LEAST THREE (3) SECONDS TO MOVE TO AN OPEN POSITION OF APPROXIMATELY 12 DEGREES.
4. DOOR CLOSERS ARE ADJUSTABLE SO THAT THE OPENING FORCE REQUIRED TO PUSH OR PULL A DOOR OPEN IS 8.5 LBS. MAXIMUM FOR EXTERIOR HINGED DOORS AND 5 LBS. MAXIMUM FOR INTERIOR DOORS. THE FORCE REQUIRED IS MEASURED AS APPLIED PERPENDICULAR TO THE DOOR AT THE OPERER OR 30" FROM THE HINGED SIDE.
5. DOORS REQUIRING "HAND TWIST" OPERATION ARE PROVIDED WITH A "LEVER TYPE" DOOR OPERATOR INSTEAD OF THE TRADITIONAL ROUND KNOB.
6. IF AN ITEM LISTED IN THE HARDWARE SCHEDULE IS NOT AN ACCESSIBLE PRODUCT, IT IS THE RESPONSIBILITY OF THE GENERAL CONTRACTOR TO NOTIFY THE ARCHITECT OF SUCH AND PROVIDE FOR THE ARCHITECT'S REVIEW. IN THE FORM OF SHOP DRAWING SUBMITTALS, AN EQUIVALENT ACCESSIBLE PRODUCT, IN THE EVENT THAT SHOP DRAWINGS ARE NOT SUBMITTED FOR FINISH HARDWARE, THE GENERAL CONTRACTOR IS RESPONSIBLE FOR PROVIDING ACCESSIBLE HARDWARE.
7. ACCESSIBLE LAVATORY FAUCET CONTROLS ARE LEVER OPERATED, PUSH-TYPE OR ELECTRONICALLY ACTIVATED MUST NOT REQUIRE MORE THAN 5 LBS. OF FORCE TO OPERATE. SELF-CLOSING VALVES MUST REMAIN IN OPERATION AT LEAST 10 SECONDS.
8. IN GENERAL, CONTROL MECHANISMS REQUIRING USE BY BUILDING OCCUPANTS ARE MOUNTED AT 48" A.F.F. MAXIMUM TO THE HIGHEST OPERABLE PART OF OBJECT. THE MINIMUM MOUNTING HEIGHT OF A CONTROL MECHANISM IS 15" A.F.F. TO THE LOWEST OPERABLE PART OF OBJECT, UNLESS OTHERWISE NOTED. TYPICAL ITEMS INCLUDE BUT NOT LIMITED TO: ARI, ELEC. SWITCHES, TELEPHONES/TDD'S, THERMOSTATS; ELEC. OUTLETS, DATA TERMINALS; ALARM PULL-STATIONS; AND DOOR BUZZERS.
9. GRAB BARS IN REST ROOMS ARE 1-1/4" TO 1-1/2" O.D. AND ARE INSTALLED TO WITHSTAND A LOAD OF 250 LBS. AS DESIGNED.
10. EXPOSED DRAIN PIPES AND HOT WATER SUPPLY LINES UNDER ACCESSIBLE LAV. AND SINKS ARE INSULATED TO PROTECT AGAINST CONTACT. THERE ARE NO SHARP OR ABRASIVE SURFACES UNDER SINKS.
11. SIGNAGE AT DOORS AND OTHER AREAS REQUIRED TO BE ACCESSIBLE ARE TO COMPLY WITH THE FOLLOWING CRITERIA:
 - A. COLOR AND CONTRAST - CHARACTERS AND BACKGROUND HAVE A MIN. GLARE FINISH. CHARACTERS AND THEIR BACKGROUNDS HAVE COLORS CONTRASTING TO EACH OTHER. EITHER A DARK CHARACTER ON A LIGHT BACKGROUND OR VICE VERSA.
 - B. CHARACTER PROPORTION HEIGHT AND NUMBERS ON SIGNS ARE A WIDTH TO HEIGHT RATIO BETWEEN 3:5 & 1:1 AND A STROKE-WIDTH-TO-HEIGHT RATIO BETWEEN 1:5 AND 1:10.
 - C. RAISED CHARACTERS & PICTOGRAMS-LETTERS AND NUMERALS ARE RAISED 1/32" MIN. UPPER CASE, SIMPLE TYPEFACE ACCOMPANIED WITH GRADE 2 BRAILLE. RAISED CHARACTERS ARE BETWEEN 5/8" & 2" IN HEIGHT. PICTOGRAM, WHEN USED, HAS A VERBAL DESCRIPTION DIRECTLY BELOW PICTOGRAM. PICTOGRAM BORDER IS 6" HIGH MINIMUM.



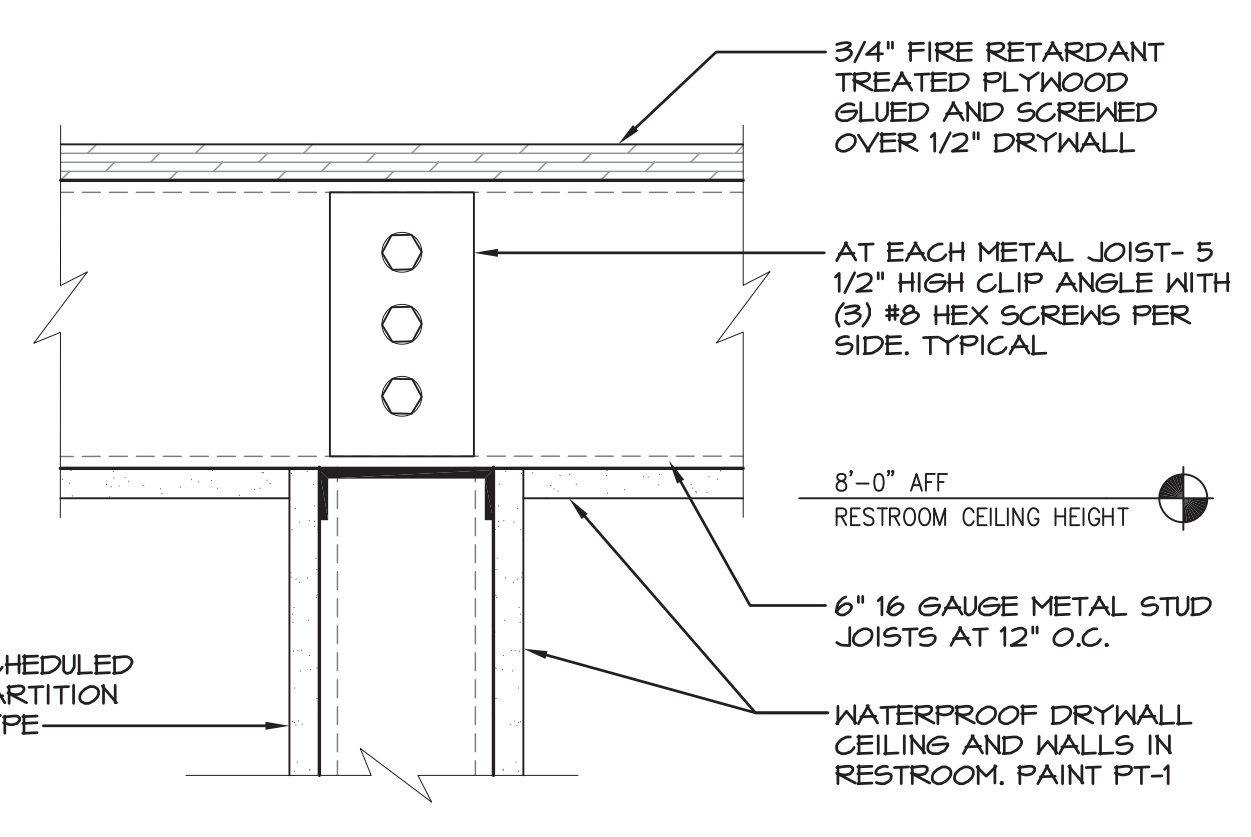
A PARTITION TYPE
SCALE: 1-1/2" = 1'-0"

B PARTITION TYPE
SCALE: 1-1/2" = 1'-0"

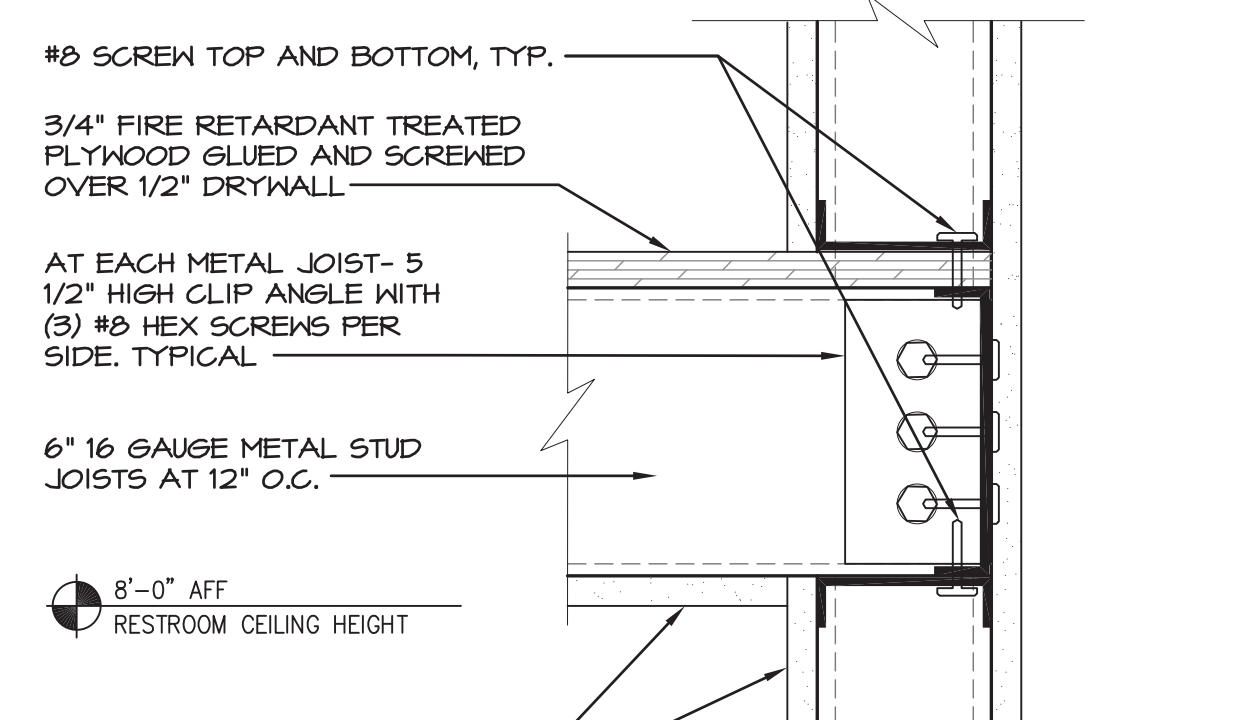
C PARTITION TYPE
SCALE: 1-1/2" = 1'-0"

D PARTITION TYPE
SCALE: 1-1/2" = 1'-0"

E PARTITION TYPE
SCALE: 1-1/2" = 1'-0"

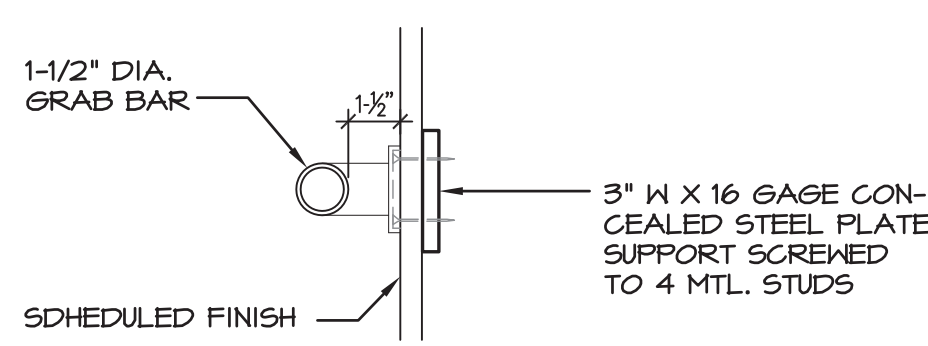


AT INTERMEDIATES



AT EDGES

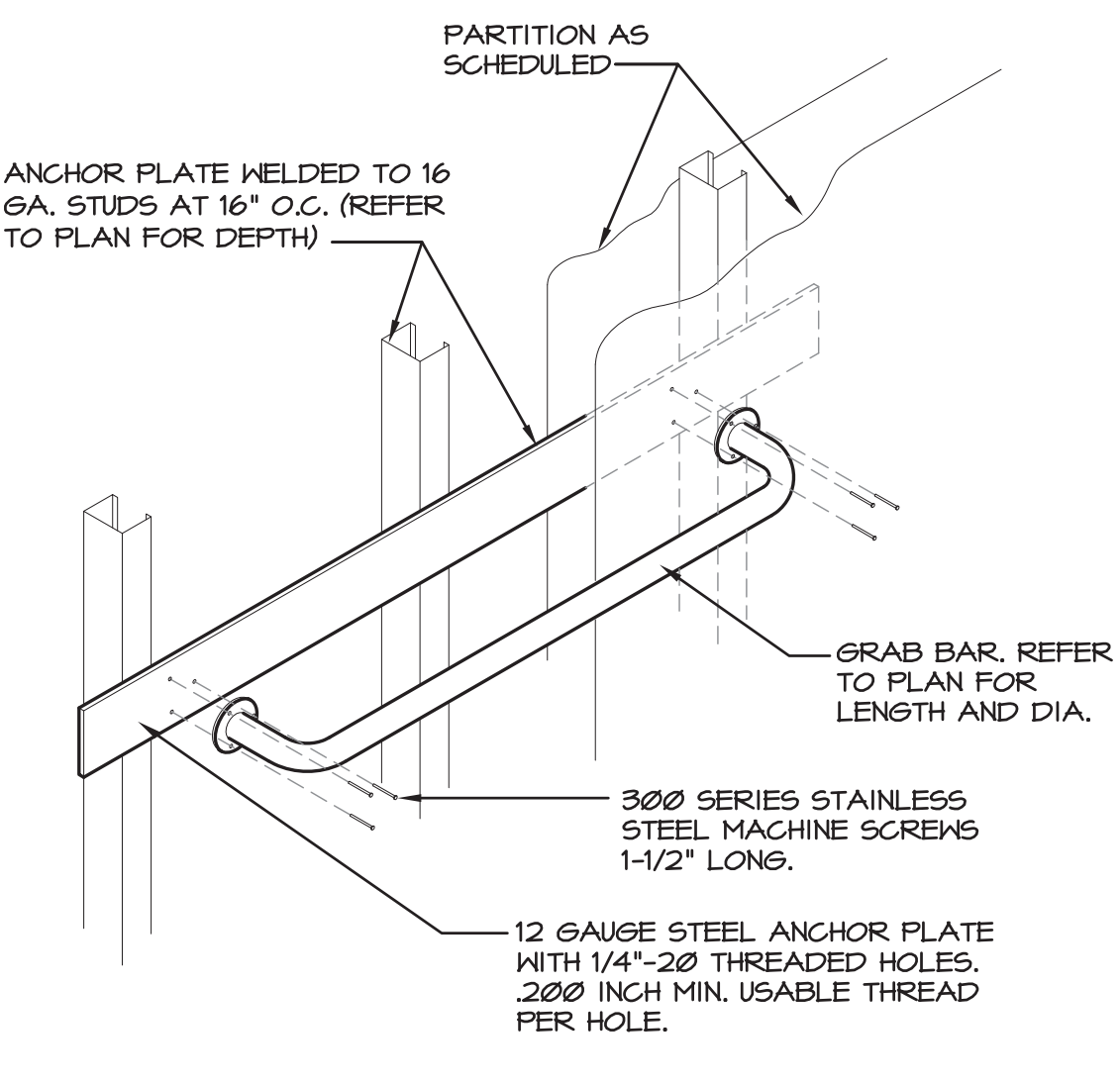
1 PLATFORM DETAILS
SCALE: 3" = 1'-0"



STRUCTURAL STRENGTH REQUIREMENTS FOR GRAB BARS:

1. BENDING STRESS IN A GRAB BAR INDUCED BY THE MAXIMUM BENDING MOMENT FROM THE APPLICATION OF 250 LBF (112N) SHALL BE LESS THAN THE ALLOWABLE STRESS FOR THE MATERIAL OF THE GRAB BAR.
2. SHEAR STRESS INDUCED IN A GRAB BAR BY THE APPLICATION OF 250 LBF (112N) SHALL BE LESS THAN THE ALLOWABLE SHEAR STRESS FOR THE MATERIAL OF THE GRAB BAR. IF THE CONNECTION BETWEEN THE GRAB BAR AND ITS MOUNTING BRACKET OR OTHER SUPPORT IS CONSIDERED TO BE FULLY RESTRAINED, THEN DIRECT OR TORSIONAL SHEAR STRESSES SHALL BE TOLERATED FOR THE COMBINED SHEARING STRESS, WHICH SHALL NOT EXCEED THE ALLOWABLE SHEAR STRESS.
3. SHEAR FORCE INDUCED IN A FASTENER OR MOUNTING DEVICE FROM THE APPLICATION OF 250 LBF (112N) SHALL BE LESS THAN THE ALLOWABLE LATERAL LOAD OF EITHER THE FASTENER OR MOUNTING DEVICE OR THE SUPPORTING STRUCTURE, WHICHEVER IS THE SMALLER ALLOWABLE LOAD.
4. TENSION FORCE INDUCED IN A FASTENER BY A DIRECT TENSION FORCE OF 250 LBF (112N) PLUS THE MAXIMUM MOMENT FROM THE APPLICATION OF 250 LBF (112N) SHALL BE LESS THAN THE ALLOWABLE WITHDRAWAL LOAD BETWEEN THE FASTENER AND THE SUPPORTING STRUCTURE.
5. GRAB BARS SHALL NOT ROTATE WITHIN THEIR FITTINGS.

2 ACCESSIBLE GRAB BAR MOUNTING DETAIL
SCALE: 1/2" = 1'-0"

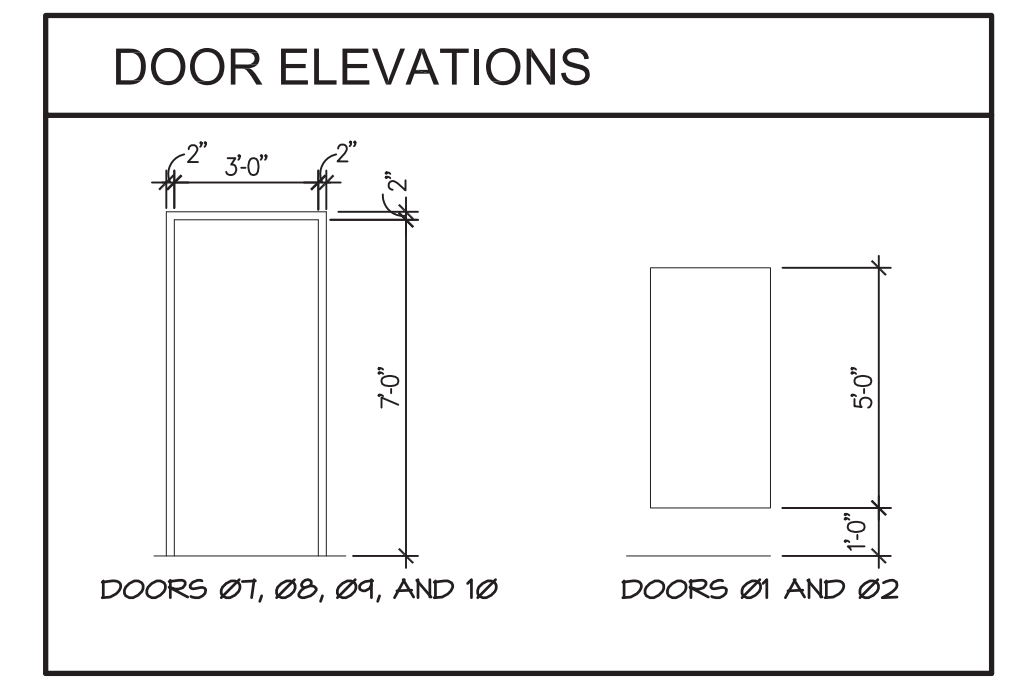


| TAG | DESCRIPTION | EXISTING | CURRENT SCOPE | | TENANT'S VENDOR | | NOTES |
|-----|--|----------|---------------|-----------------|-----------------|---------|---|
| | | | N/A | PROVIDE/INSTALL | PROVIDE/INSTALL | INSTALL | |
| A | 6" METAL STUDS, 16" O.C. TO DECK ABOVE 5/8" DRYHALL, TYPE 'X' TO STRUCTURE ABOVE WITH SOUND BATTS AND SEALANT AT DECK | ● | | ● | | | TAPE, SPACKLE, AND SAND SMOOTH, READY FOR FINISH |
| B | 3-5/8" METAL STUDS, 16" O.C. TO DECK ABOVE 5/8" DRYHALL TO STRUCTURE ABOVE, BOTH SIDES | | ● | ● | | | 20 GA TO HEIGHTS OF 10' 16 GA FOR ABOVE 10' HEIGHT TAPE, SPACKLE, AND SAND SMOOTH, READY FOR FINISH, USE WATER RESISTANT AT RESTROOM WALLS |
| C | 3-5/8" METAL STUDS, 16" O.C. TO 11'-4" AFF 5/8" DRYHALL ON ALL EXPOSED SURFACES | | ● | ● | | | BRACE TO STRUCTURE ABOVE AS NEEDED TAPE, SPACKLE, AND SAND SMOOTH, READY FOR FINISH |
| D | 6" METAL STUDS TO 11'-4" AFF 5/8" DRYHALL ON ALL EXPOSED SURFACES | | ● | ● | | | 18" DEPTH, TYPICAL U.N.O. TAPE, SPACKLE, AND SAND SMOOTH, READY FOR FINISH |
| E | 3-5/8" METAL STUDS, 16" O.C. TO 8'-0" AFF, PROVIDE 2x BLOCKING FOR DOORS. 5/8" DRYHALL TO 8'-0" AFF, BOTH SIDES | | ● | ● | | | APPLY 1x6 PAINT GRADE CAP, PAINT PT3 TAPE, SPACKLE, AND SAND SMOOTH, READY FOR FINISH |

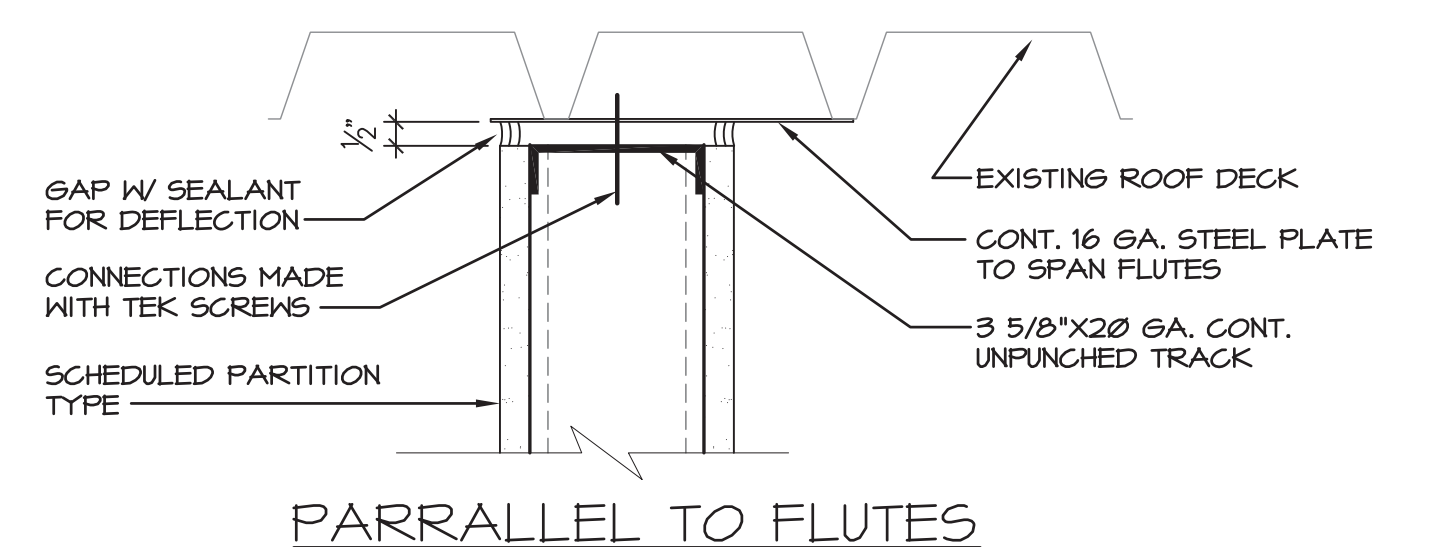
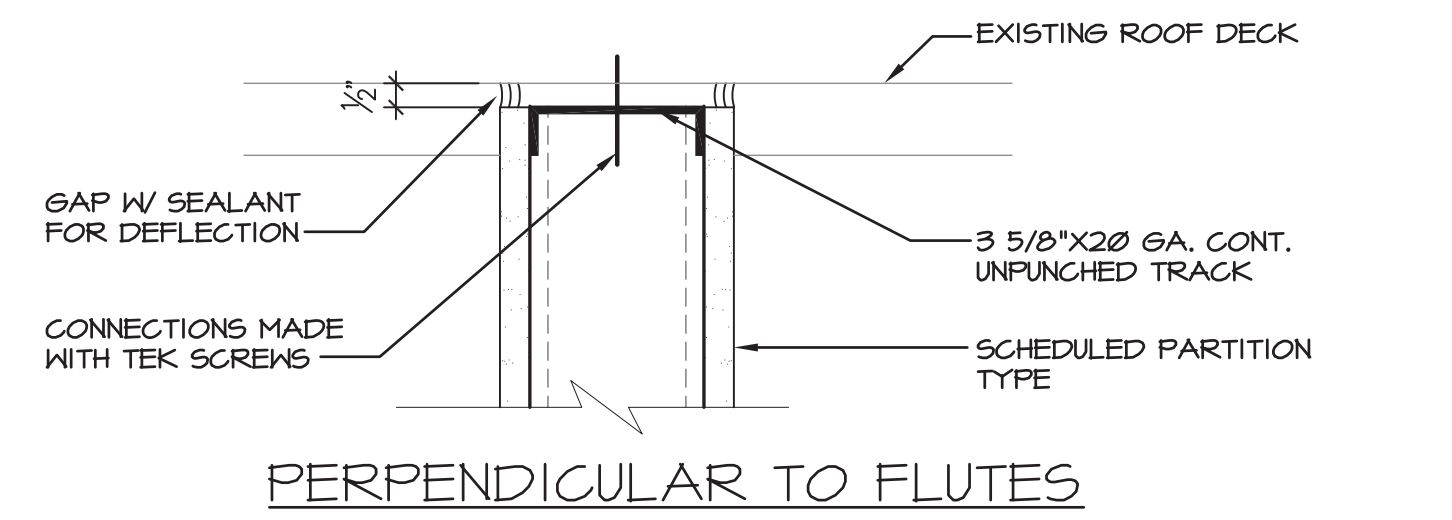
| NO. | SIZE | MATERIAL & TYPE | THK. | DOOR | | FRAME | | DETAILS | | CURRENT SCOPE | TENANT'S VENDOR | | | |
|-----|-------------------|-----------------|--------|--------------|---------------|--------|-------------|---------|--------|---------------|-----------------|-------|-----------------|-----------------|
| | | | | FROM | TO | LABEL | MAT. FINISH | LABEL | HEAD | | JAMB | SILL | PROVIDE/INSTALL | PROVIDE/INSTALL |
| 01 | 3'-0" x 5'-0" | SC WOOD | - | FITTING ROOM | FITTING ROOMS | PREFIN | N/A | WOOD | PREFIN | N/A | N/A | N/A | A | |
| 02 | 2'-10" x 4'-5'-0" | SC WOOD | - | FITTING ROOM | FITTING ROOMS | PREFIN | N/A | WOOD | PREFIN | N/A | N/A | N/A | A | |
| 03 | 3'-0" x 7'-0" | H.M. | 1-3/4" | SALLES AREA | CORRIDOR | PAINT | N/A | H.M. | PAINT | N/A | 4/A-1 | 5/A-1 | N/A | E |
| 04 | 3'-0" x 7'-0" | H.M. | 1-3/4" | MENS RR | CORRIDOR | PAINT | N/A | H.M. | PAINT | N/A | 4/A-1 | 5/A-1 | N/A | E |
| 05 | 3'-0" x 7'-0" | H.M. | 1-3/4" | WOMENS RR | CORRIDOR | PAINT | N/A | H.M. | PAINT | N/A | 4/A-1 | 5/A-1 | N/A | E |
| 10 | 3'-0" x 7'-0" | H.M. | 1-3/4" | CORRIDOR | STOCK ROOM | PAINT | N/A | H.M. | PAINT | N/A | 4/A-1 | 5/A-1 | N/A | D |

| LTR | DESCRIPTION |
|-----|--|
| A | (3) EACH SELF CLOSING HINGES |
| B | (3) EACH BUTT HINGES (1) EACH PRIVACY AL405-SAT 2-3/4" ASA 626 (1) EACH DOOR CLOSER 1461-H-AL (LCN) |
| C | (1) EACH PUSH/PULL PLATE T3CLX(4"x16")X1532D (ROCKWOOD MFG.) (1) EACH DOOR CLOSER 1460-HXAL (LCN) (1) EACH KICKPLATE K1062 16"x34"X1532D (ROCKWOOD MFG.) (1) EACH DOOR STOP 317X1526D (ROCKWOOD MFG.) |

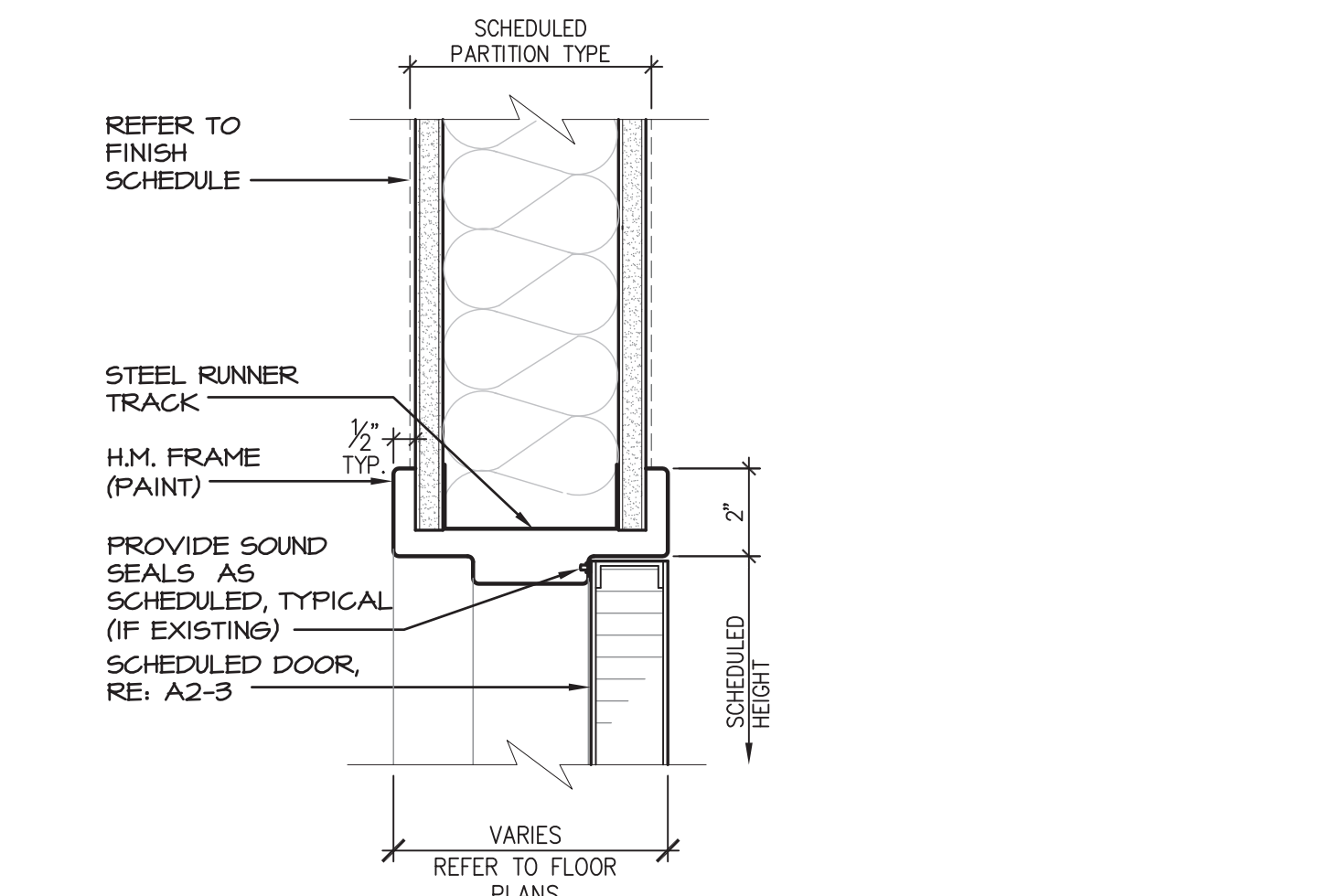
- DOOR NOTES**
1. ALL HARDWARE IS "SCHLAGE" UNLESS NOTED OTHERWISE
 2. ALL HOLLOW METAL DOORS AND FRAMES TO BE PAINTED PT3 (TAN), UNLESS NOTED OTHERWISE
 3. ANY EXISTING DOORS TO BE REUSED MUST BE RE-PAINTED AS SPECIFIED.
 4. ALL FITTING ROOM DOORS (AND TRIM) PROVIDED BY TENANT'S VENDOR WITH BLOCKING BY GENERAL CONTRACTOR



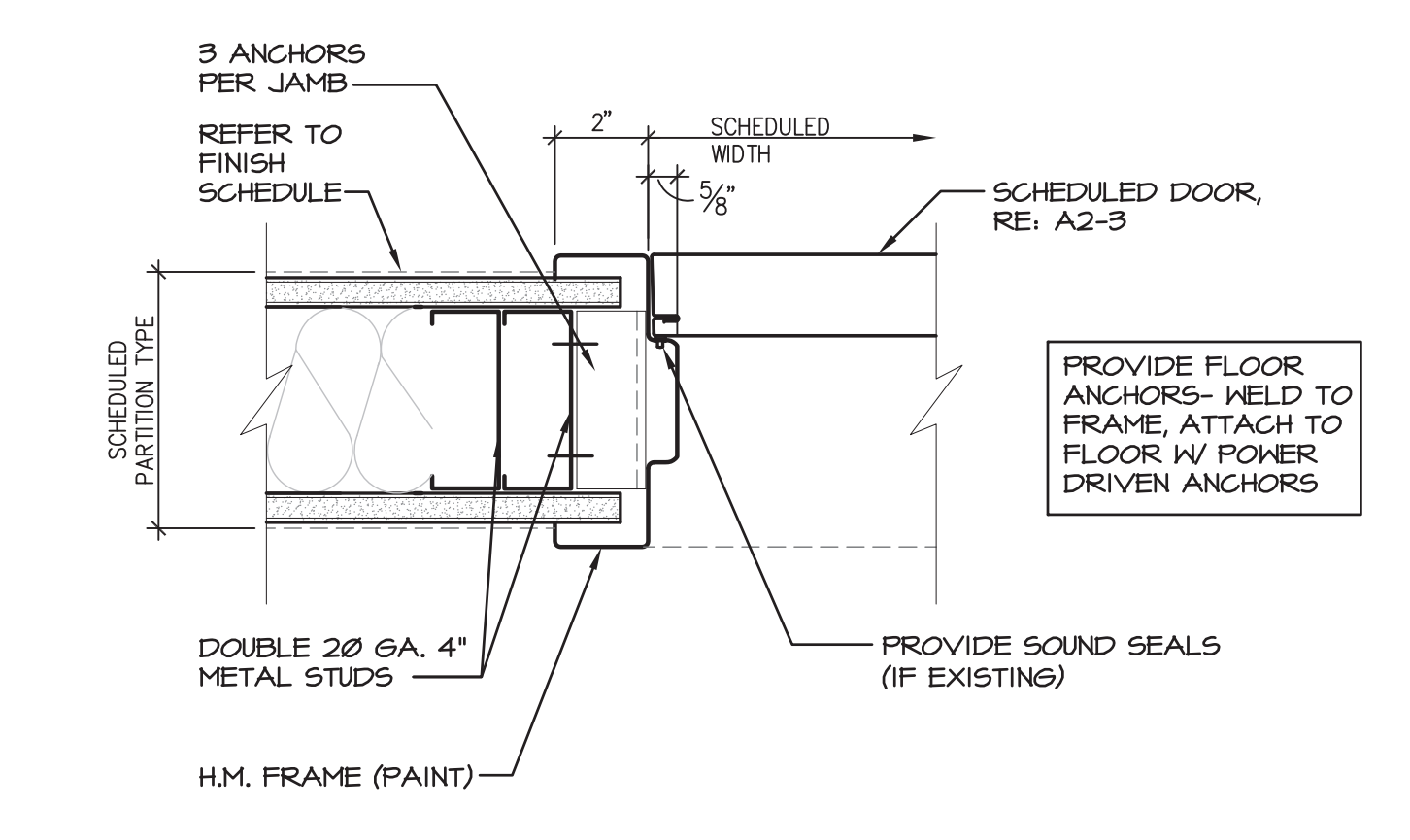
PREFERRED SUPPLIER FOR INTERIOR DOORS, FRAMES & HARDWARE
LOCKNET
JEFF KIRKNER
100 COURCELLE DRIVE
NICHOLASVILLE, KY 40356
TEL: 800-887-4307 FAX: 604-887-4450
EMAIL: CONSTRUCTION@LOCKNET.COM



3 STUD WALL DETAIL AT METAL DECK
SCALE: 3" = 1'-0"



4 HOLLOW METAL DOOR HEAD
SCALE: 3" = 1'-0"



5 HOLLOW METAL DOOR JAMB
SCALE: 3" = 1'-0"

Hermes Architects
Members A.I.A.
1777 West Loop South, Ste. 500
Houston, Texas 77027
Tel. 713-765-3644
www.hermesarchitects.com
Houston • Dallas • Ft. Worth

This document is an instrument of service protected by the copyright law of the United States of America, 17 U.S.C. § 102, and shall not be copied or reproduced without the express written consent of Hermes Architects, Inc.

INCOMPLETE DRAWING - DO NOT USE FOR REGULATORY APPROVAL, PERMIT OR CONSTRUCTION
ARCHITECT: Roger R. Wrede
REGISTRATION #: 17468
DATE: 09/23/2011

CROSSROADS MALL
RUE 21
6834 WESLEY STREET
GREENVILLE, TEXAS 75401

Crossroads GREENVILLE PROPERTIES, LTD.
1080 WILCHIRE BLVD.
SUITE 1050
LOS ANGELES, CA 90024

DATE: SEPTEMBER 2, 2011
PROJECT NO.: 809501
DRAWN BY: --
CHECKED BY: --

PARTITION TYPES AND DETAILS

RUE-A7-1