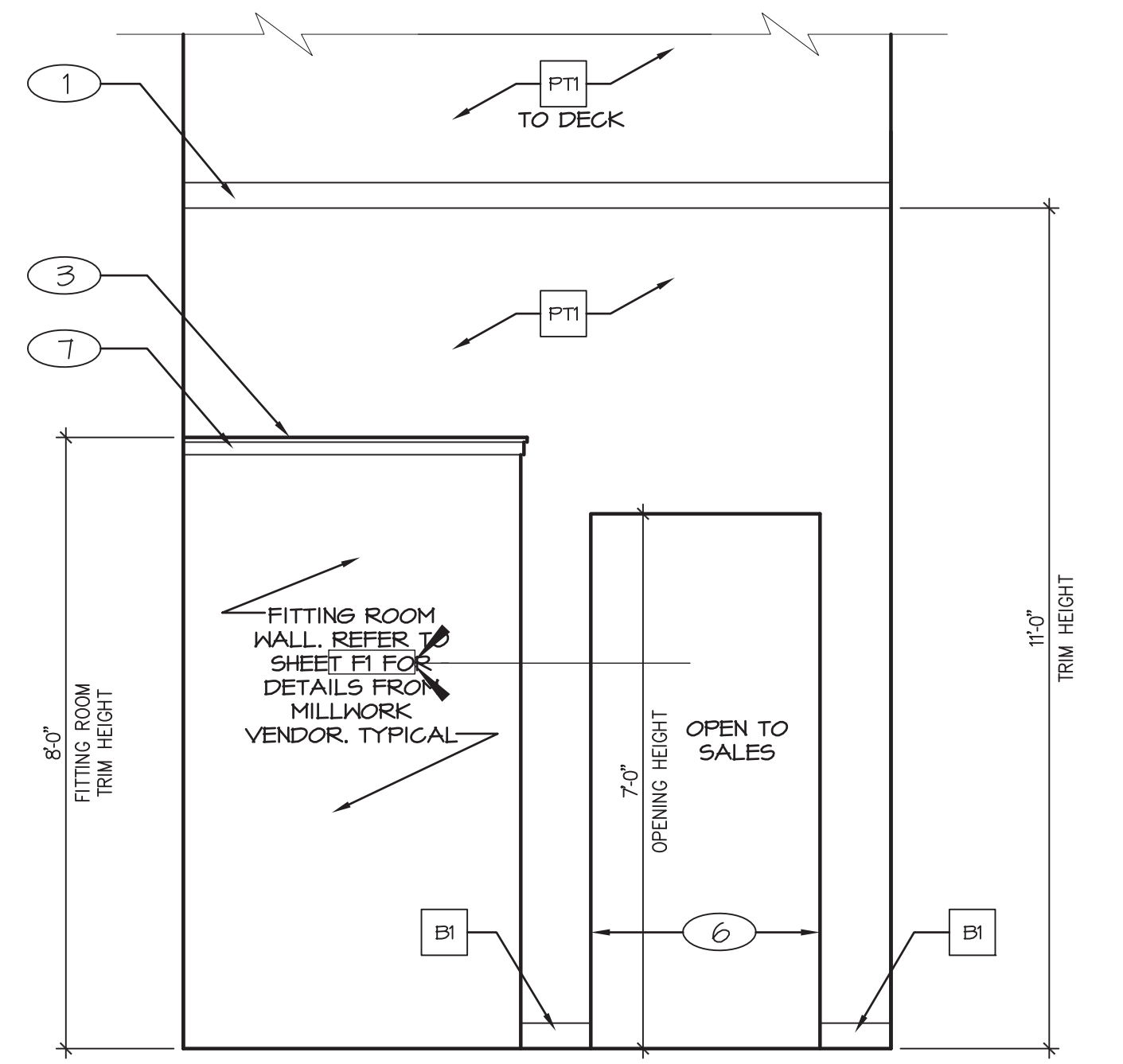


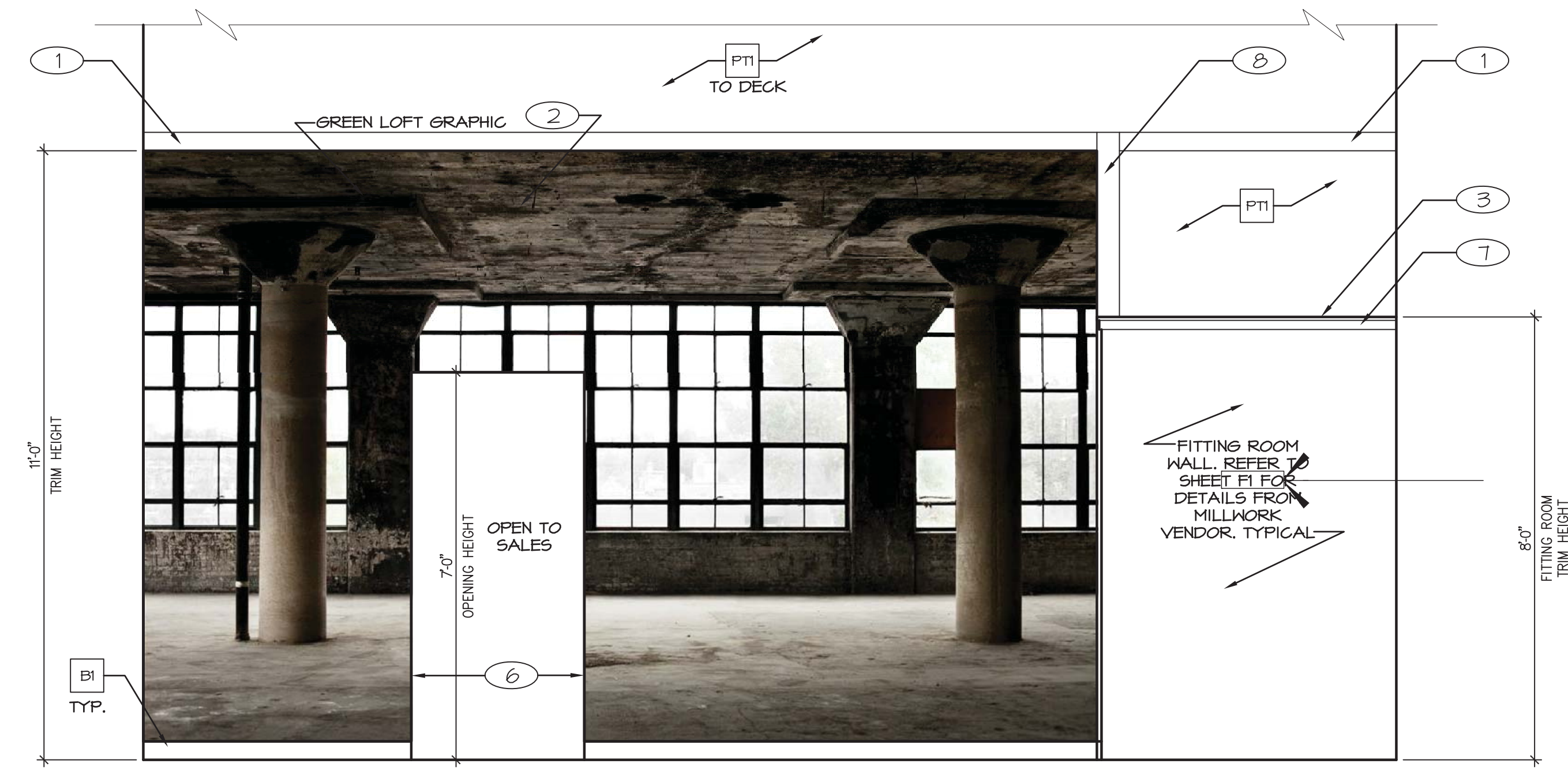
1
A6-2
SCALE: 1/2" = 1'-0"

**DETAIL FLOOR PLAN
AT DRESSING ROOMS**



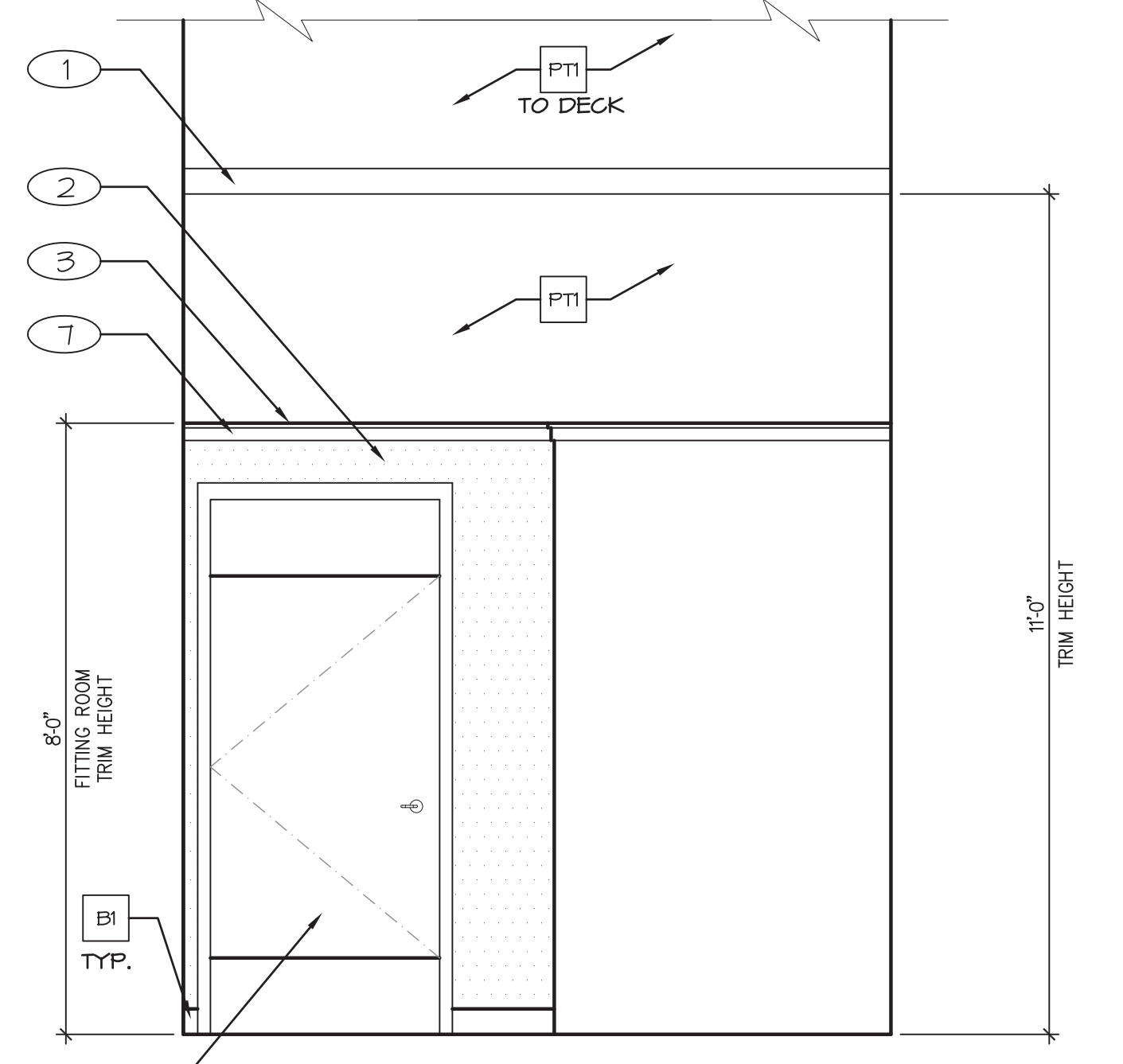
2
A6-2
SCALE: 1/2" = 1'-0"

**INTERIOR ELEVATION -
NORTH WALL AT FITTING ROOM**



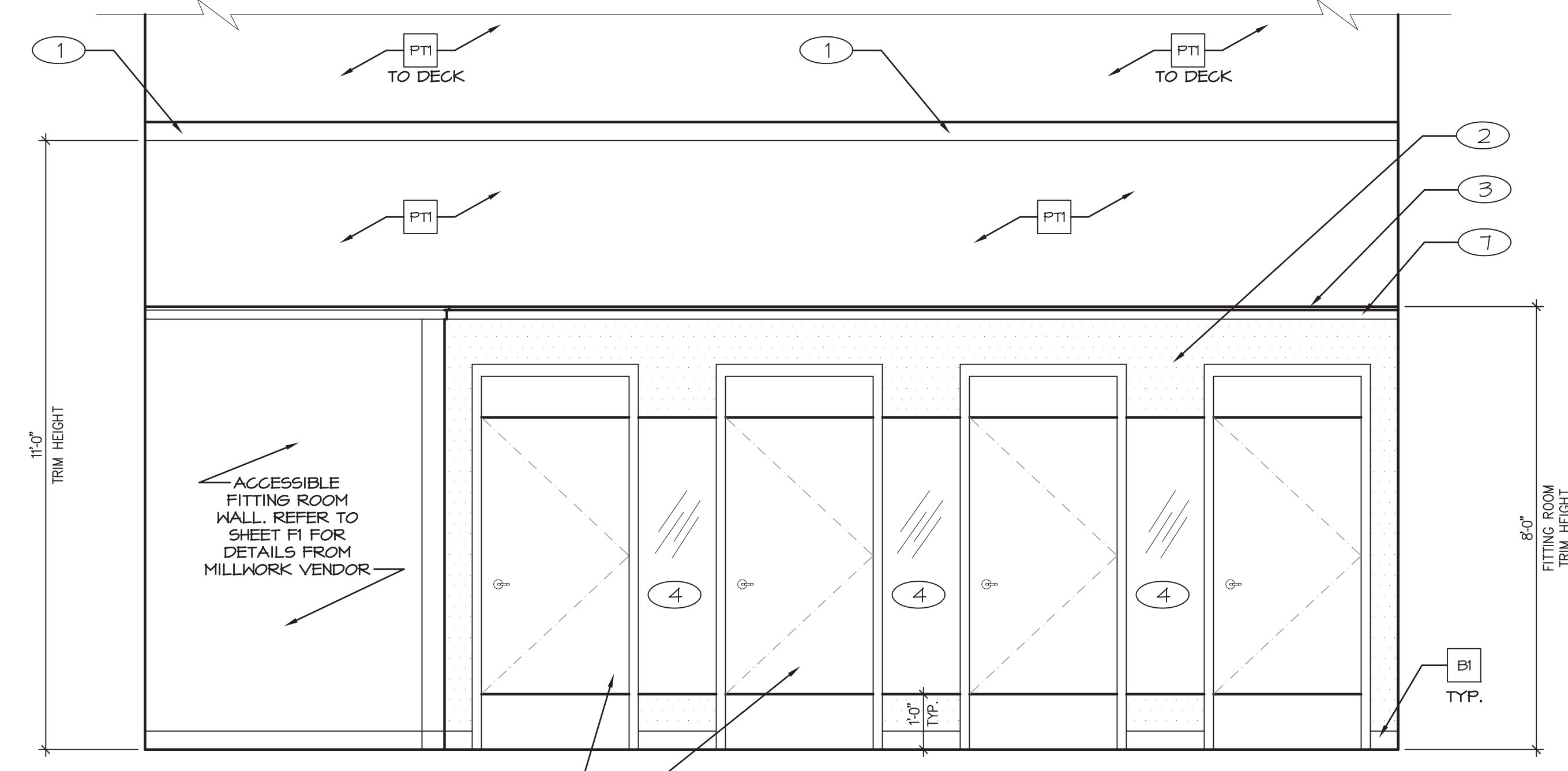
3
A6-2
SCALE: 1/2" = 1'-0"

**INTERIOR ELEVATION -
EAST WALL AT FITTING ROOM**



4
A6-2
SCALE: 1/2" = 1'-0"

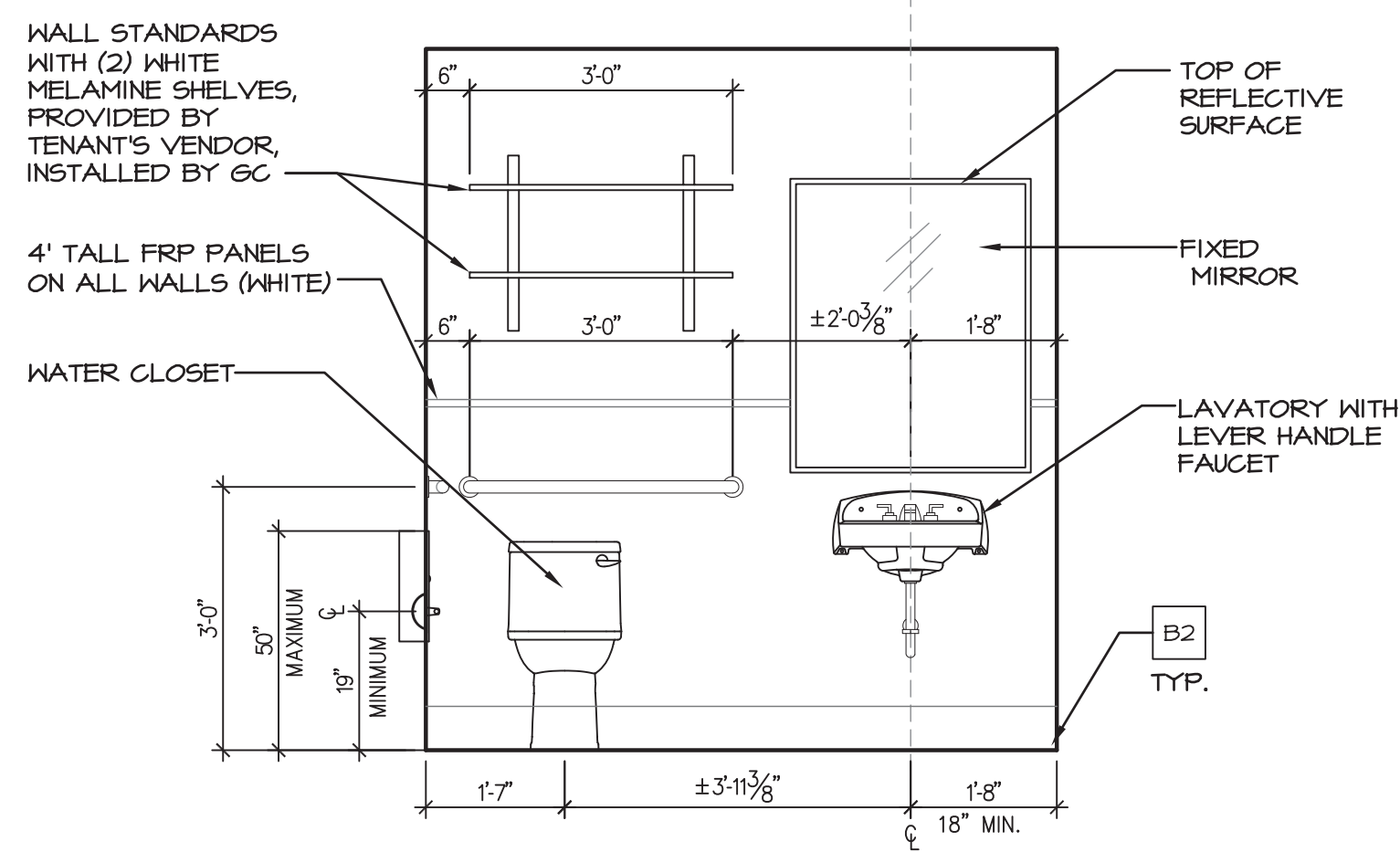
**INTERIOR ELEVATION -
SOUTH WALL AT FITTING ROOM**



5
A6-2
SCALE: 1/2" = 1'-0"

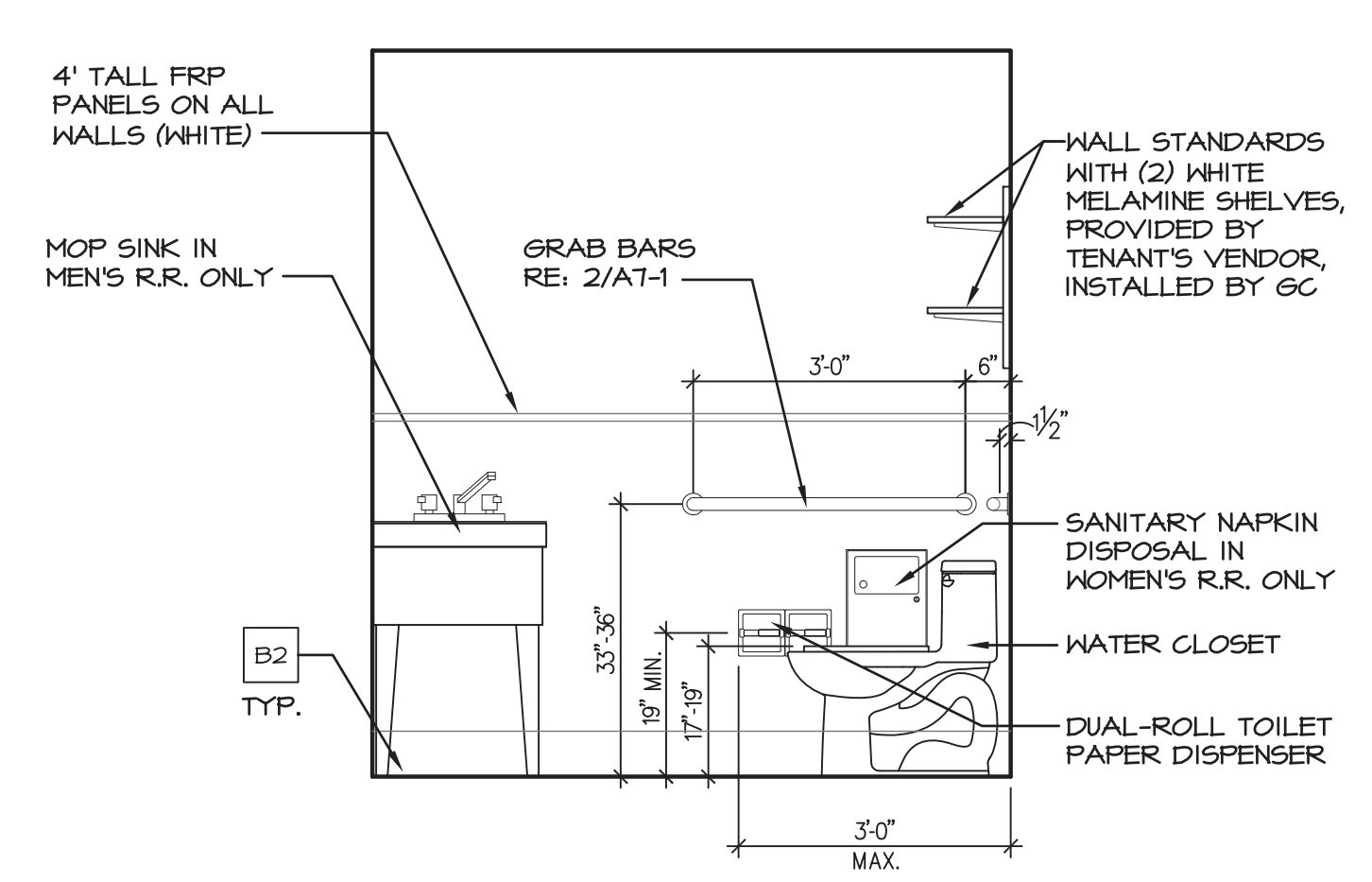
**INTERIOR ELEVATION -
WEST WALL AT FITTING ROOM**

NOTE: REFER TO TOILET ACCESSORIES SCHEDULE ON SHEET A7-2



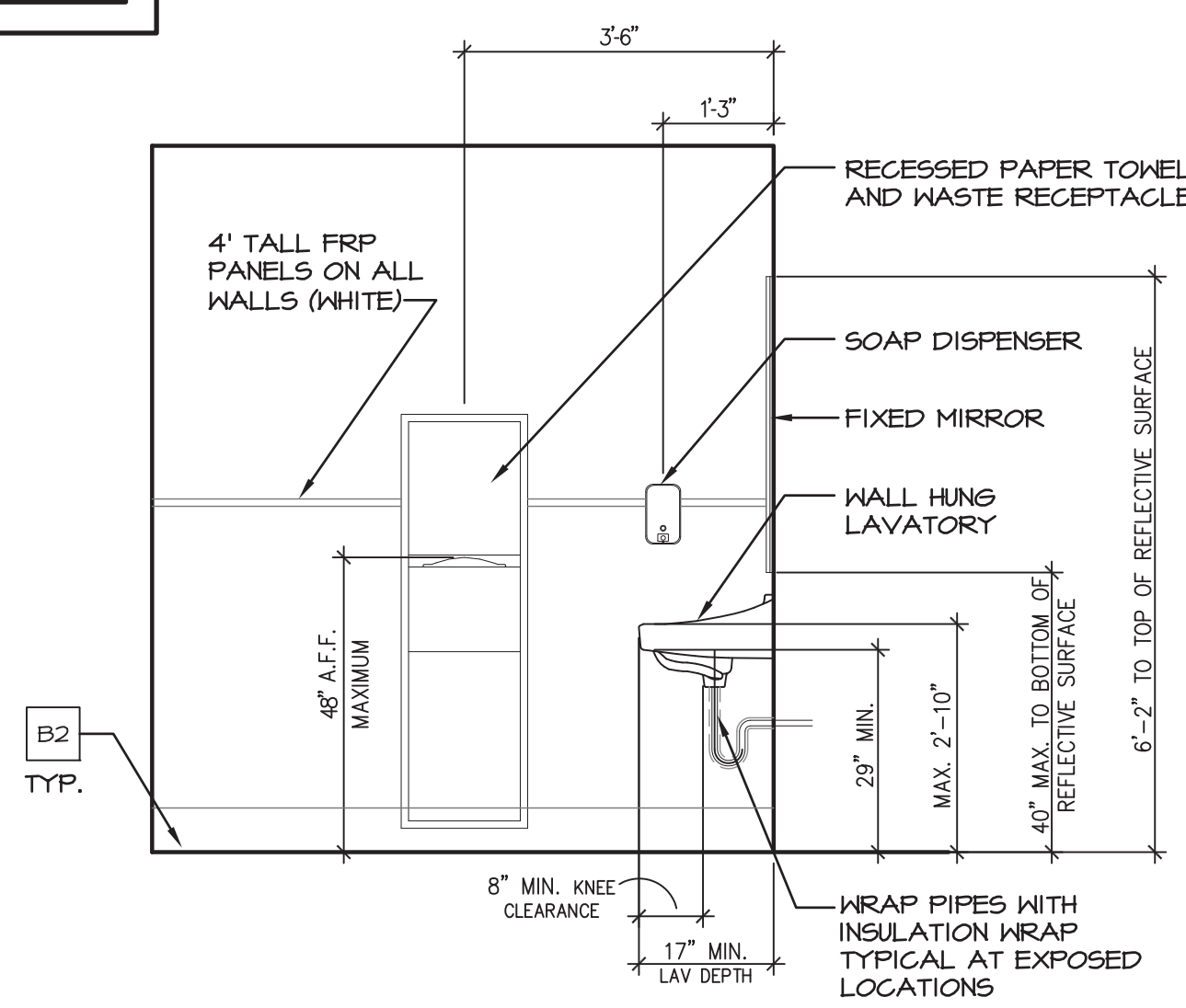
6
A6-2
SCALE: 1/2" = 1'-0"

**RESTROOM ELEVATION -
TYPICAL FRONT ELEVATION**



7
A6-2
SCALE: 1/2" = 1'-0"

**RESTROOM ELEVATION -
TYPICAL SIDE ELEVATION**



8
A6-2
SCALE: 1/2" = 1'-0"

**RESTROOM ELEVATION -
TYPICAL SIDE ELEVATION**

KEY NOTES		EXISTING	PROVIDE	INSTALL	REMOVE	INSTALL	REMOVE	NOTES
TAG	DESCRIPTION							
1	1X4 PRE-FINISHED TRIM, MOUNTED AT 11'-0" AFF, PAINTED PT3 (TAN)			●	●			CAULK ALL JOINTS, PUTTY NAIL HOLES, SAND SMOOTH, TOUCH-UP AFFECTED AREAS
2	WALL COVERINGS/GRAPHICS			●	●			INSTALLATION SIMILAR TO WALL PAPER
3	3/4"X 1" WOOD CAP ON TOP OF FITTING ROOM WALLS, PAINTED PT3 (TAN)			●	●			CAULK ALL JOINTS, PUTTY NAIL HOLES, SAND SMOOTH, REPAIR AFFECTED AREAS
4	MIRROR AT 12" AFF, 60" TALL			●	●			APPLY DAP CLEAR CAULK AT ALL EXPOSED EDGES
5	CUT DOWN GRAPHICS EQUALLY FROM TOP AND BOTTOM AS NEEDED		●					TRIM PICTURES EQUALLY SO ALL ARE EQUAL, WHERE NEEDED
6	1 1/2" CLEAR PLASTIC CORNER GUARDS, MOUNTED WITH SCREWS			●	●			WALL PROTECT, OR EQUAL, INSTALL AT ALL EXPOSED CORNERS, & LENGTHS
7	1/2"X 2" TRIM ON FITTING ROOM WALLS, BOTH SIDES, PAINTED PT3 (TAN)			●	●			CAULK ALL JOINTS, PUTTY NAIL HOLES, SAND SMOOTH, REPAIR AFFECTED AREAS
8	METAL STUD BRACING BETWEEN WALLS ENCASED IN DRYWALL TO ALIGN WITH FITTING ROOM WALLS BELOW			●	●			PAINT PT1
9	INTERIOR WALLS OF FITTING ROOMS TO BE PAINTED PT1			●	●			
10	HALL MOUNTED GRAB BARS- GC TO INSTALL BLOCKING IN WALL AS NEEDED			●	●			COMPLY WITH ALL APPLICABLE ACCESSIBILITY CODES

NOTE: REFER TO SHEET A7-3 FOR TYPICAL FITTING ROOM DETAILS

Hermes Architects

Members A.I.A.
1777 West Loop South, Ste. 500
Houston, Texas 77027
Tel: 713-765-3644
www.hermesarchitects.com
Houston • Dallas • Ft. Worth

This document is an instrument of service protected by the copyright law of the United States of America, 17 U.S.C. § 102, and shall not be copied or reproduced without the express written consent of Hermes Architects, Inc.

INCOMPLETE DRAWING - DO NOT USE FOR REGULATORY APPROVAL, PERMIT OR CONSTRUCTION
ARCHITECT: Rogan R. Wrede
REGISTRATION #: 17468
DATE: 09/23/2011

CROSSROADS MALL
RUE 21
6834 WESLEY STREET
GREENVILLE, TEXAS 75401

Crossroads
GREENVILLE PROPERTIES, LTD.
10850 WILCHIRE BLVD.
SUITE 1050
LOS ANGELES, CA 90024

DATE: SEPTEMBER 2, 2011
PROJECT NO.: 809501
DRAWN BY: --
CHECKED BY: --

INTERIOR ELEVATIONS AND DETAILS

RUE-A6-2