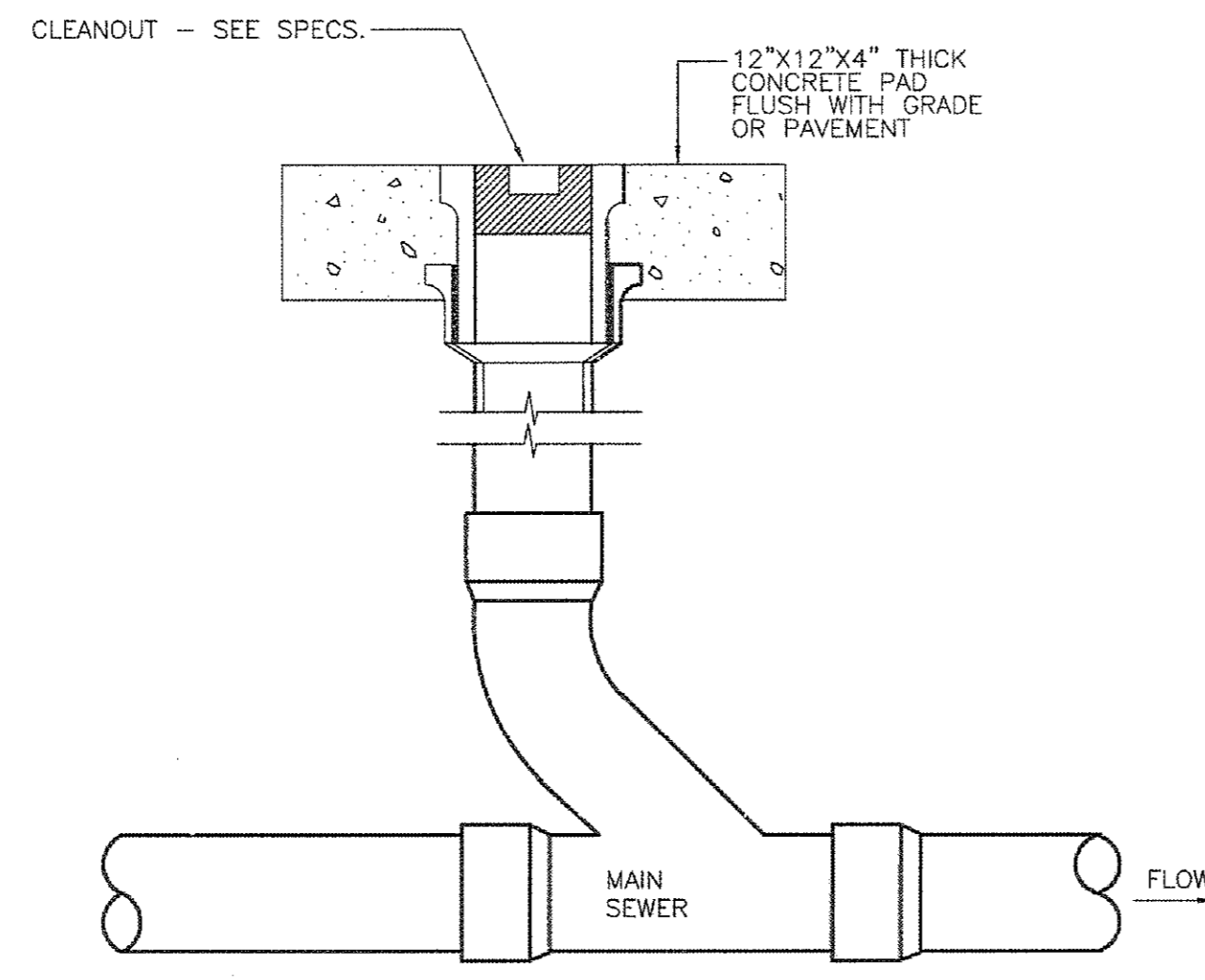
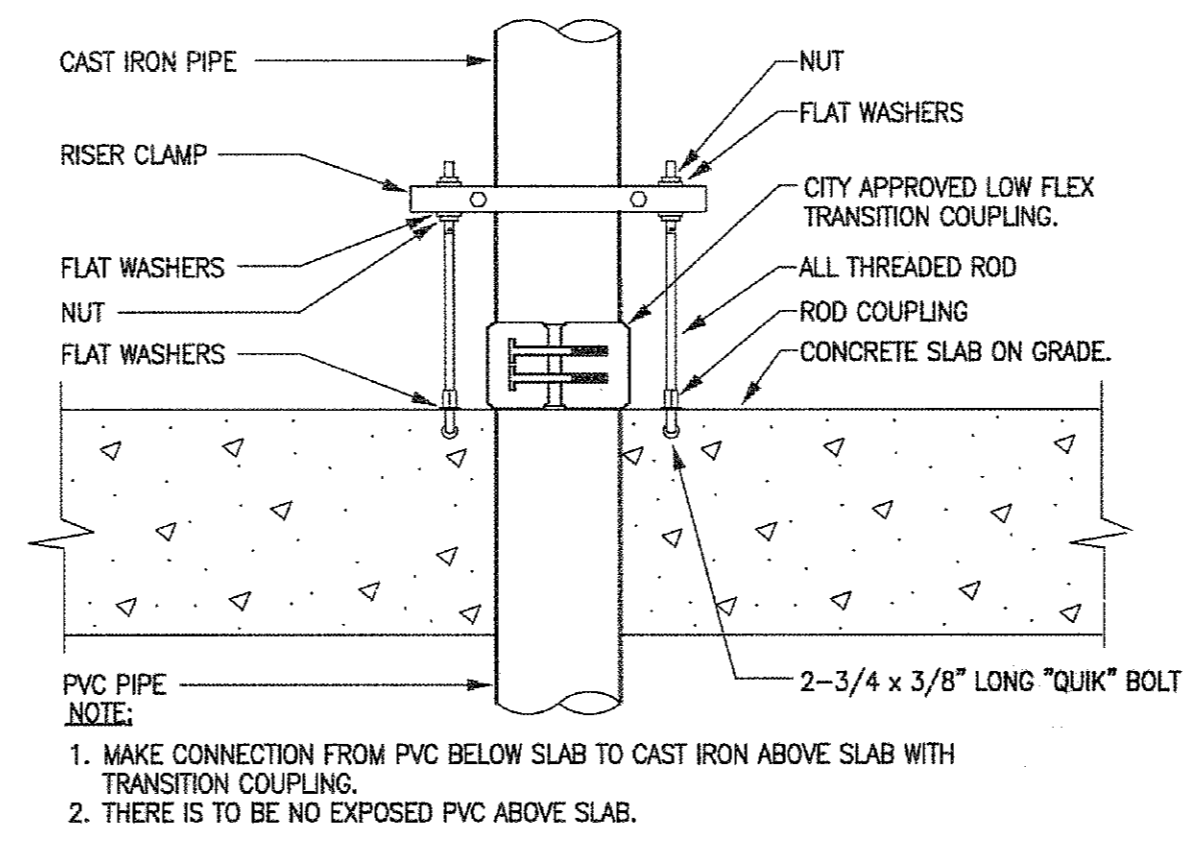


**01 FIRE SPRINKLER RISER**  
NO SCALE

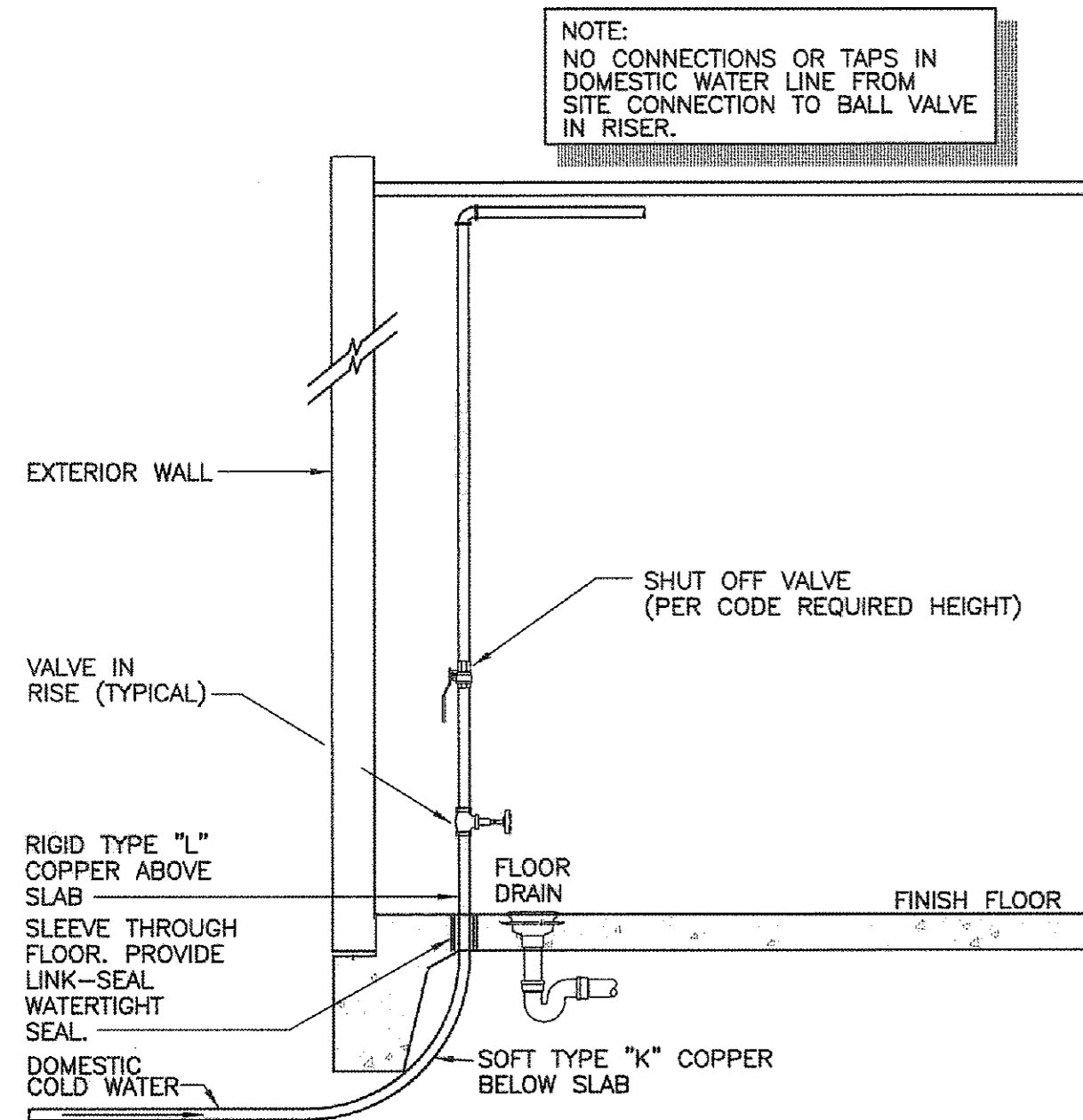


**04 EXTERIOR CLEANOUT**  
NO SCALE

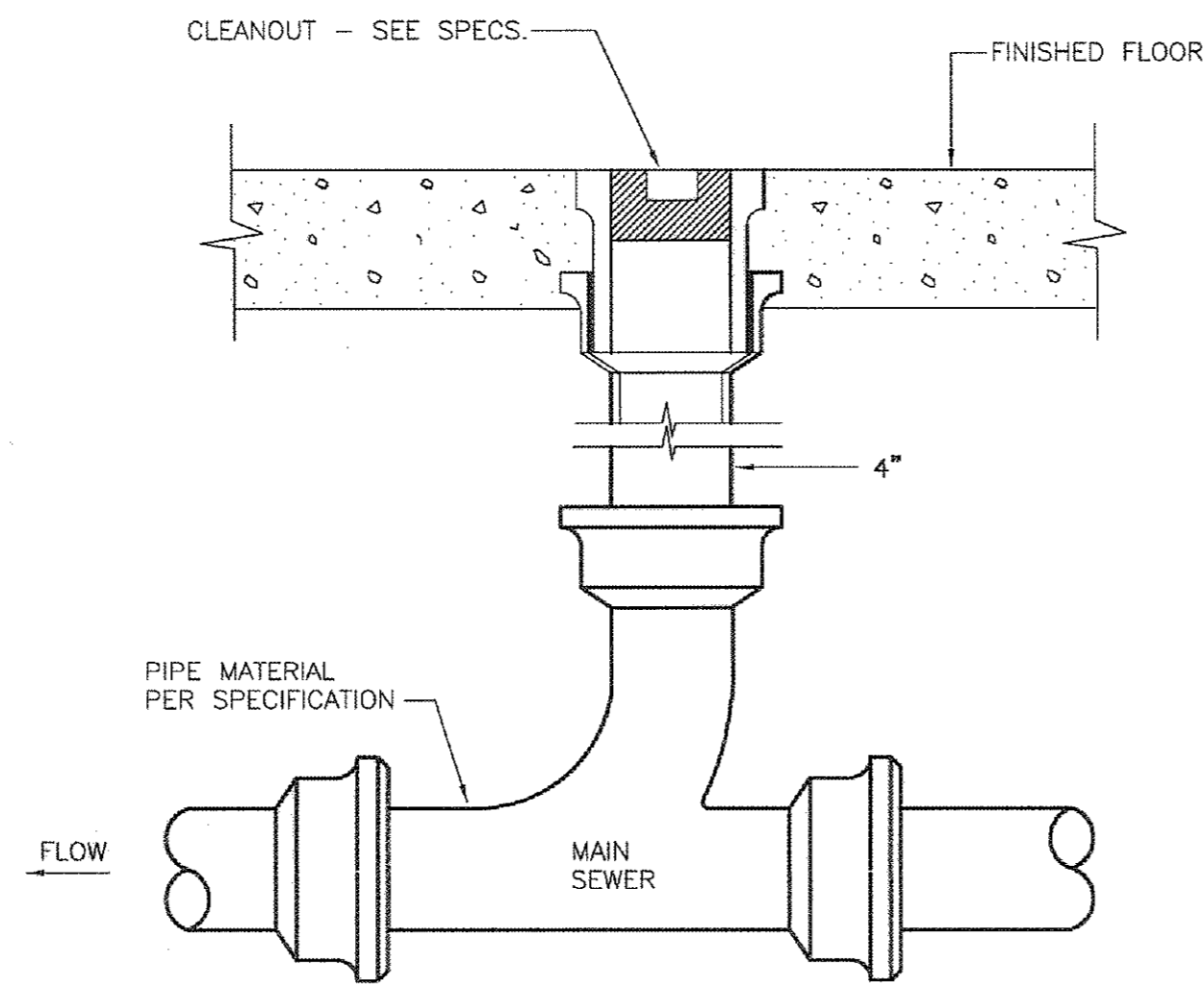


**07 PVC TO CAST IRON CONNECTION**  
NO SCALE

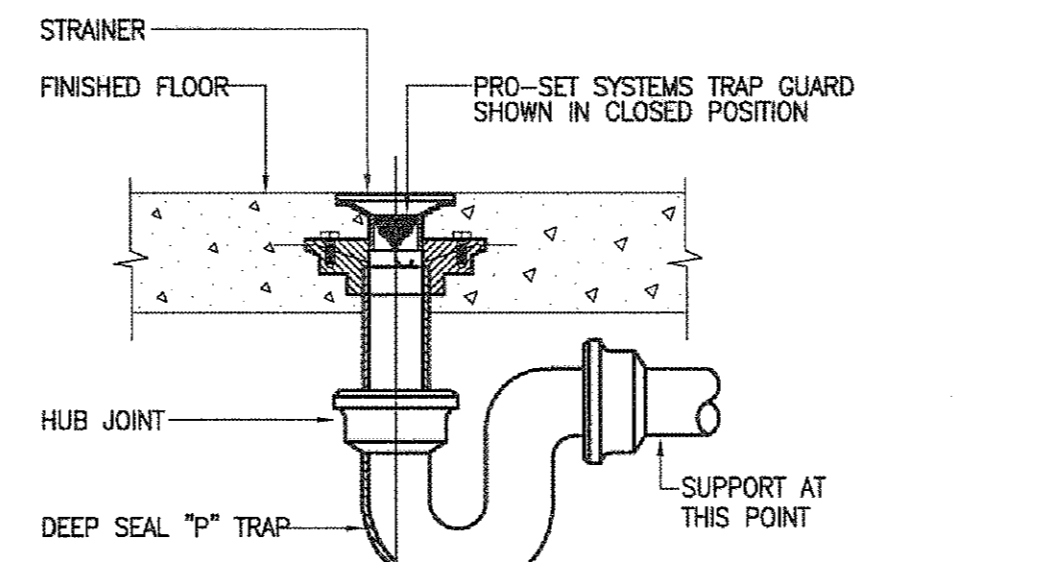
PLUMBING PIPING LEGEND	
SYMBOLS	DESCRIPTION
	SANITARY OR WASTE PIPING ABOVE GRADE (SAN)
	SANITARY OR WASTE PIPING BELOW GRADE (SAN)
	STORM DRAIN PIPING (SD)
	STORM DRAIN PIPING BELOW GRADE (SW)
	CONDENSATE DRAIN PIPING (CD)
	CONDENSATE - INDIRECT DRAIN PIPING (D)
	VENT PIPING (V)
	COLD WATER PIPING (CW)
	HOT WATER PIPING (HW)
	HOT WATER RETURN PIPING (HWR)
	TRAP PRIMER LINE (TP)
	FIRE PROTECTION PIPING (F)
	NATURAL GAS PIPING (G)
	FLOW DIRECTIONAL ARROW
	BALL VALVE (BV)
	LUBRICATED PACKED PLUG STOP STOP COCK (PC)
	HORIZONTAL SWING CHECK
	UNION
	REDUCED PRESSURE BACKFLOW PREVENTER (PRBPF)
	PIPING DOWN
	RISE OR DROP PIPING
	PIPING UP -OR- PIPING UP & DOWN
	CAP ON END OF PIPE
	CLEANOUT (WALL OR CEILING) (CO)
	FLOOR CLEANOUT (FCO)
	EXTERIOR CLEANOUT WITH 18"x18"x4" CONCRETE PAD (ECO)
	TWO-WAY CLEANOUT (PROVIDE 18"x24"x4" CONCRETE PAD OUTSIDE)
	FIRE DEPARTMENT VALVE AT RISER
	FIRE DEPARTMENT CONNECTION
	BRANCH CONNECTION OUT OF TOP
	BRANCH CONNECTION OUT OF BOTTOM
	BRANCH CONNECTION OUT OF SIDE
	WYE & 1/8TH BEND BRANCH CONNECTION
	WYE BRANCH CONNECTION
	HOSE BIBB
	PRESSURE GAUGE WITH COCK
	THERMOMETER
	GAS PRESSURE REGULATOR
	TEST COCK
	GAS METER
	WALL HYDRANT
	VALVE IN RISE
	ASME TEMPERATURE & PRESSURE RELIEF VALVE
	VACUUM RELIEF VALVE
	ANGLE VALVE
	ROOF DRAIN
	REFER TO KEYED NOTE
	FLOOR DRAIN (FD)
	FLOOR DRAIN WITH P-TRAP (FD)
	FLOOR DRAIN WITH P-TRAP AT 45° ANGLE (FD)
	HUB DRAIN (HD)
	ACCESS PANEL FOR TRAP PRIMER OR SHOCK ABSORBER
	ACCESS PANEL LOCATION SYMBOL
	SHOCK ABSORBER WITH ACCESS PANEL
	AIR CHAMBER
	INVERT ELEVATION
	1/8TH OF AN INCH SLOPE
	DELTA CHANGE SYMBOL
	RISER FLAG



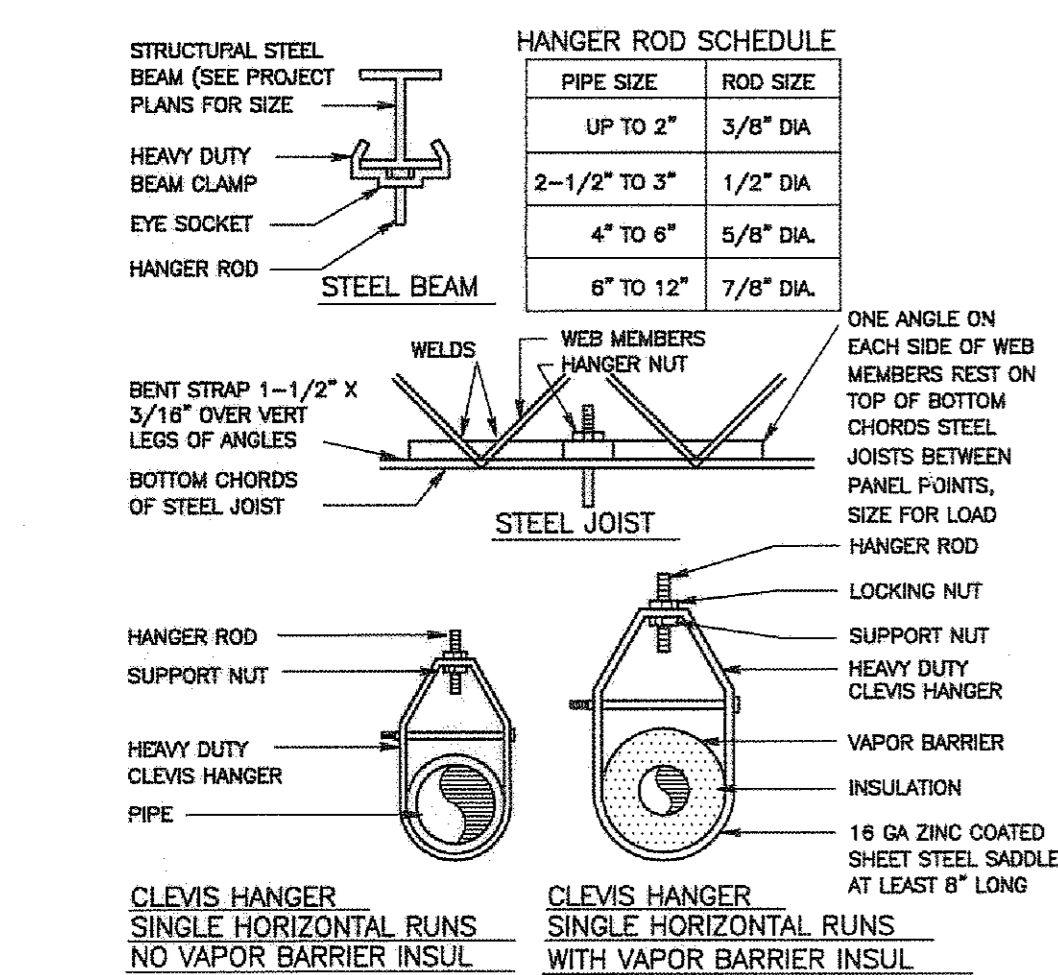
**02 DOMESTIC WATER ENTRY**  
NO SCALE



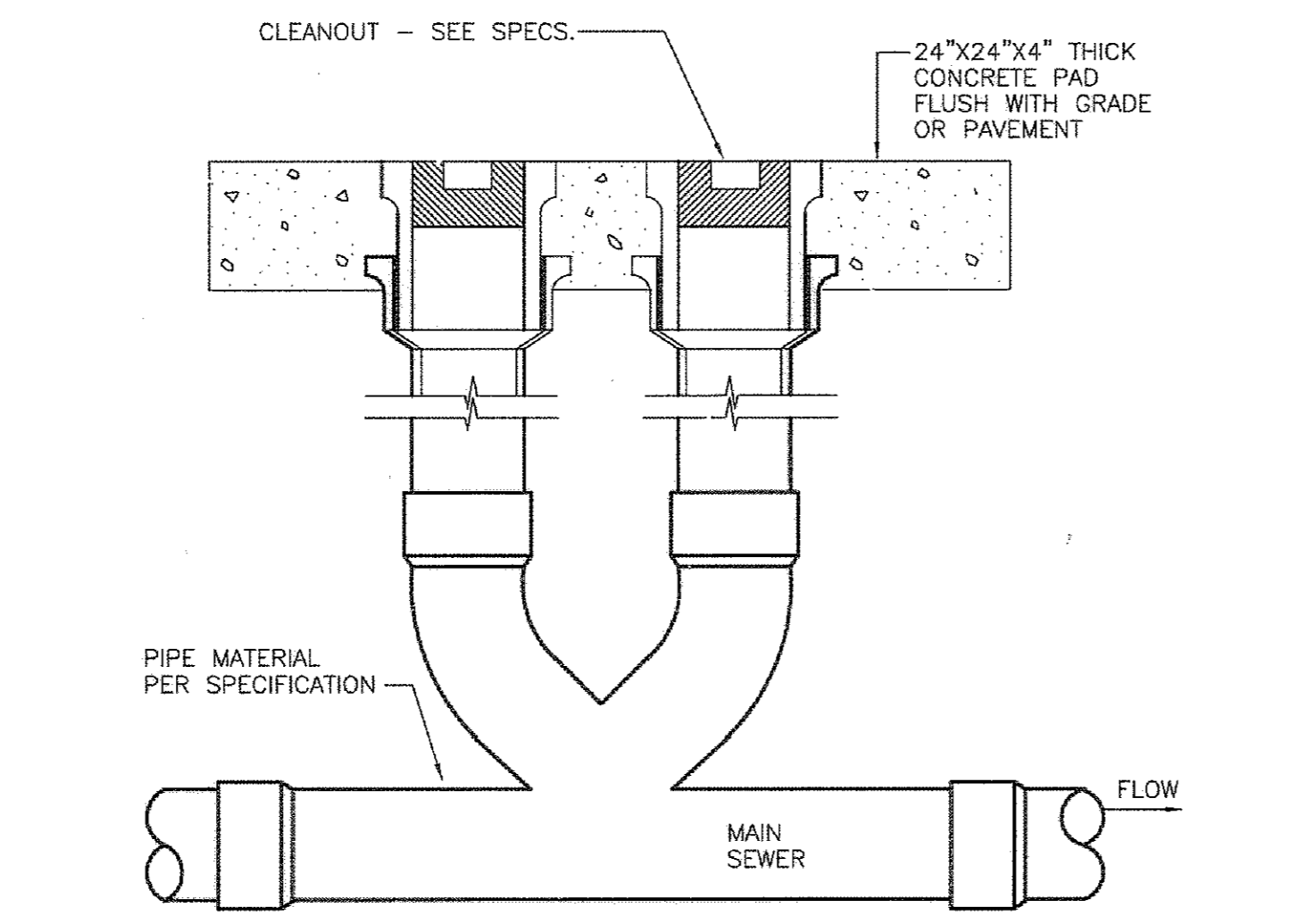
**05 FLOOR CLEANOUT**  
NO SCALE



**08 FLOOR DRAIN**  
NO SCALE



**03 PIPE HANGER DETAIL**  
NO SCALE



**06 TWO-WAY EXTERIOR CLEANOUT**  
NO SCALE

**Hermes Architects**

Members A.L.A.  
1177 West Loop South, Suite 500  
Houston, Texas 77027  
Tel 713-785-3644  
Fax 713-953-2515  
www.hermesarchitects.com

**LEASE BUILDING AT CROSSROADS MALL**  
6906 WESLEY STREET GREENVILLE, TEXAS

**Crossroads**  
GREENVILLE PROPERTIES LTD.  
10850 WILCHIRE BLVD.  
SUITE 1050  
LOS ANGELES, CA 90024

DATE: 02/16/09  
PROJECT NO.: 809500  
DRAWN BY:  
CHECKED BY:

**KALMANS MARSHALL ENGINEERING, INC.**  
HOUSTON | DALLAS/AT. NORTH | BATON ROUGE  
1425 Greenway Drive, Suite 640  
Irving, Texas 75038 (972) 812-1270

**DETAILS PLUMBING**

**P3.1**