

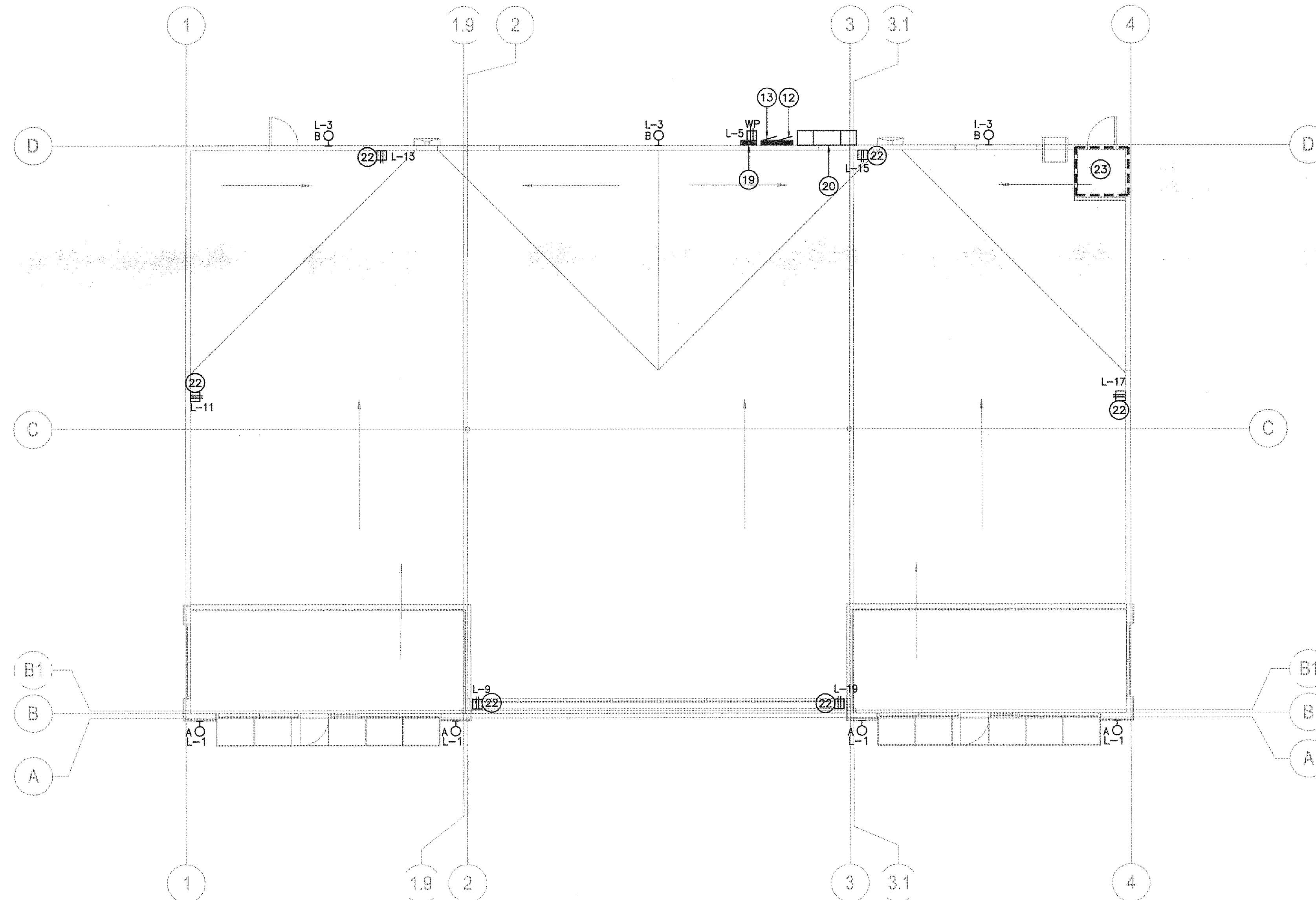
LIGHTING FIXTURE SCHEDULE						
MARK	MANUFACTURER AND CATALOG NUMBER	MOUNTING	LAMPS		VOLTS	REMARKS
			NO.	TYPE		
A	BEGA #6623 MH.537	SURFACE	2	39W T6 G12 MH	120	WALL MOUNTED FIXTURE, (SLV) FINISH. FINAL SELECTION OF FINISH TO BE SELECTED BY ARCHITECT.
B	LITHONIA #WSQ-175M-FT-120-LPI	SURFACE	1	175 MH TB	120	WALL MOUNTED FIXTURE GLASS OPTION AND FINISH TO BE SELECTED BY ARCHITECT. MOUNTED 14"-0" AFF.

LIGHTING NOTES  
1. PROVIDE UNSWITCHED CIRCUIT TO EMERGENCY BATTERY UNIT CHARGER.

PANEL 'L'		120/208V, 3PH, 4W.	MOUNTING: SURFACE						
LOCATION: RETAIL BUILDING 2		225 AMP MLO	NEMA-3R						
CKT	LOAD	KVA	WIRE	BKR	WIRE	KVA	LOAD	CKT	
1	WALL SCONCE	0.5	#10	1P20	1P20	#12	.5	RISER RM LTG/RECPT.	2
3	WALL SCONCE	0.7	#10	1P20	1P20	-	-	SPARE	4
5	TELE. RECEPTACLES	.5	#12	2P20	#12	2.6	RISER RM UNIT HEATER	6	
7	IRRIGATION CONTROLLER	.5	#12	1P20	-	-	-	8	
9	HOLIDAY LIGHTING	1.5	#10	1P20	1P20	#12	.5	MONITORING PL.	10
11	HOLIDAY LIGHTING	1.5	#10	1P20	3P20	A	2.5	SITE LIGHTING	12
13	HOLIDAY LIGHTING	1.5	#10	1P20	-	-	-	-	14
15	HOLIDAY LIGHTING	1.5	#10	1P20	-	-	-	-	16
17	HOLIDAY LIGHTING	1.5	#10	1P20	2P20	A	2.5	SITE NL.	18
19	HOLIDAY LIGHTING	1.5	#10	1P20	-	-	-	-	20
21	SPARE	-	-	-	1P20	-	-	SPARE	22
23									24
25									26
27									28
29									30
31									32
33									34
35									36
37									38
39									40
41									42

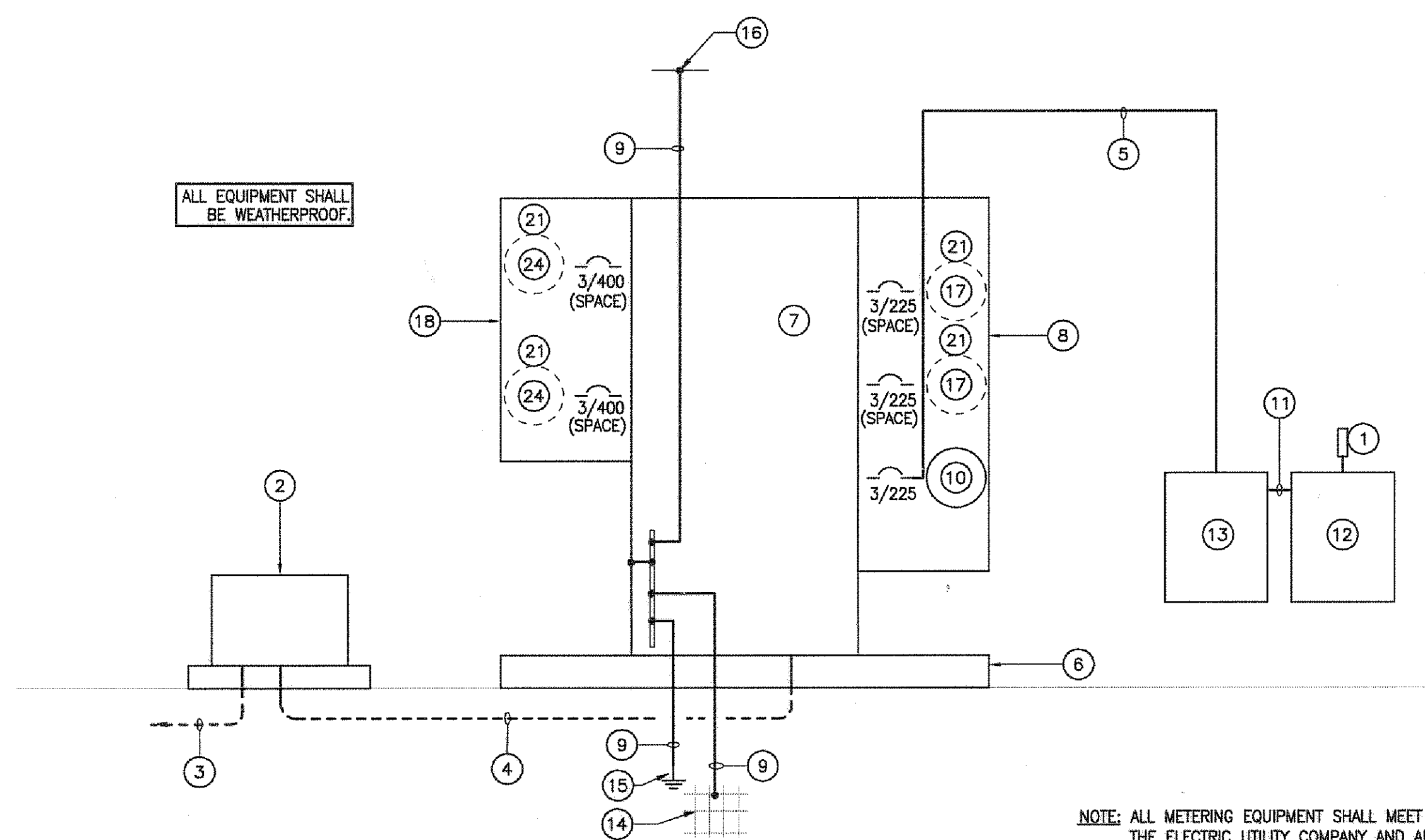
CONTINUOUS (LFC) LOAD 15.2 x 1.25 = 19.0 KVA  
MISC. LOAD x 1.0 = 4.6 KVA  
TOTAL KVA = 23.6 KVA  
A=REFER TO SHEET E2.0 FOR WIRE AND CONDUIT SIZE

1 THRU CONTACTOR L-1, ON BY PHOTO CELL OFF BY TIME CLOCK  
2 THRU CONTACTOR L-2, ON BY PHOTO CELL OFF BY PHOTO CELL  
3 THRU CONTACTOR L-3, ON BY PHOTO CELL OFF BY PHOTO CELL



1 FLOOR PLAN - ELECTRICAL  
SCALE: 1/8"=1'-0"

LOAD ANALYSIS		
RETAIL 2 /HOUSE PANEL 'L'		
120/208V, 3PH, 4W		
RETAIL/RESTAURANT	6000 SQ. FT @ 50W/SQ. FT	= 300 KVA
HOUSE PANEL 'L'		= 23.6 KVA
TOTAL		= 323.6 KVA
LOAD AMPS @120/208V, 3φ, 4W		= 899 AMPS
1000 AMP SERVICE PROVIDED		
120/208V, 3PH, 4W		



2 ELECTRICAL RISER DIAGRAM  
SCALE: N.T.S.

NOTE: ALL METERING EQUIPMENT SHALL MEET THE APPROVAL OF THE ELECTRIC UTILITY COMPANY AND ALL AUTHORITY HAVING JURISDICTION. ALL SERVICE EQUIPMENTS SHALL BE FURNISHED AND INSTALLED UNDER BASE BID.

**ELECTRICAL GENERAL NOTES:**

- REFER TO ARCHITECTURAL DRAWINGS FOR EXACT LOCATION AND MOUNTING HEIGHTS OF ALL LIGHTING FIXTURES AND ELECTRICAL DEVICES.
- EACH CONDUIT SHALL BE LIMITED TO (3) CIRCUITS MAXIMUM.
- NO MORE THAN THREE SINGLE PHASE CIRCUITS AND NO MORE THAN SIX CURRENT CARRYING CONDUCTORS SHALL BE INSTALLED IN A SINGLE RACEWAY. WHEN FOUR, FIVE, OR SIX CURRENT CARRYING CONDUCTORS ARE INSTALLED IN A SINGLE RACEWAY, THEIR CURRENT CARRYING CAPACITIES SHALL BE DERATED AS REQUIRED BY THE NEC FOR NON-DIVERSIFIED LOADS. THE INSTALLED WIRE SIZE SHALL HAVE A NOMINAL AMPACITY RATING OF 125% OF THAT REQUIRED OR SPECIFIED WHEN FOUR OR MORE CURRENT CARRYING CONDUCTORS ARE INSTALLED IN A SINGLE RACEWAY. NEUTRAL CONDUCTORS SHALL BE CONSIDERED A CURRENT CARRYING CONDUCTOR IN ALL NON-LINEAR LOADED CIRCUITS AS REQUIRED BY THE NEC.
- ALL LIGHTING, RECEPTACLE, AND EQUIPMENT BRANCH CIRCUITS CONDUITS SHALL CONTAIN A GROUND WIRE, USING THE CONDUIT SYSTEM AS THE ONLY GROUND PATH IS NOT ACCEPTABLE.
- ALL ELECTRICAL INSTALLATIONS SHALL COMPLY WITH ALL LOCAL AND NATIONAL ELECTRICAL CODES.
- ALL ELECTRICAL EQUIPMENT OUTDOORS SHALL BE TYPE NEMA 3R.
- ELECTRICAL CONTRACTOR SHALL COORDINATE WITH OTHER TRADES FOR ALL ELECTRICAL REQUIREMENTS. ANY DISCREPANCIES SHALL BE BROUGHT TO THE ENGINEER'S ATTENTION AS SOON AS POSSIBLE.
- ALL CONDUITS FOR TENANT SERVICES SHALL BE RUN ON EXTERIOR WALL HORIZONTALLY ONLY CONDUIT TO BE RUN ON EXTERIOR WALL WILL BE FROM SERVICE DISCONNECT VERTICALLY TO "LB" THRU WALL UP IN JOIST SPACE TO EACH TENANT.
- ALL CONDUITS ASSOCIATED WITH PRIMARY ELECTRIC AND TELEPHONE SERVICE WORK SHALL BE INSTALLED IN ACCORDANCE WITH THE UTILITY COMPANIES INSTALLATION CRITERIA.
- ALL UTILITY CONDUITS SHALL CONTAIN PULL STRINGS MEETING THE MATERIAL AND INSTALLATION REQUIREMENTS OF THE UTILITY COMPANY.
- ALL ELECTRICAL WORK SHALL BE DONE IN COMPLIANCE WITH THE MOST CURRENT ADDITION OF THE NEC AND THE UTILITY COMPANY'S ELECTRIC UTILITY DESIGN CRITERIA MANUAL.
- ALL CONDUIT ROUTED ABOVE GRADE AT EXTERIOR SHALL BE RIGID GALVANIZED STEEL CONDUIT.

**KEYED NOTES (THIS SHEET):**

- PHOTO CELL ABOVE ROOF FACING NORTH.
- GREENVILLE ELECTRIC UTILITY SERVICE PAD MOUNTED TRANSFORMER.
- REFER TO KEYED NOTE B SHEET E1.1 FOR ADDITIONAL INFORMATION.
- 4-4" CONDUITS, 3-4" CONDUITS EACH WITH #500 KCMIL, 1-4" CONDUIT FOR SPARE.
- 4#4/0, 1#4G, 2 1/2" C.
- 4" CONCRETE HOUSEKEEPING PAD.
- 1200 AMP MLO SQUARE D EZM31200TBCU NEMA 3R ENCLOSURE. PROVIDE WITH HORIZONTAL CROSS BUS ON BOTH SIDES OF UNIT FOR FUTURE EXPANSION.
- SQUARE D EMZL33225(CU) NEMA 3R METER/MAN CB METER PACK.
- 1#3/0G, 1" PVC CONDUIT.
- HOUSE METER PER LOCAL UTILITY REQUIREMENT.
- (3) 2"C. OR AS REQUIRED.
- LIGHTING CONTROL CABINET NEMA 3R.
- PANEL 'L'
- BUILDING SLAB STEEL MINIMUM 20" OF REBAR.
- 10' x 3/4" COPPERCLAD GROUND ROD.
- BUILDING STEEL AND METAL PIPING SYSTEMS.
- FUTURE 225 METER SOCKETS.
- SQUARE D EMZL332400(CU) NEMA 3R METER/MAN CB METER PACK.
- RETAIL TELEPHONE SERVICE CABINET. REFER TO DETAIL 4 SHEET E3.1.
- METER PACK, REFER TO DETAIL 2 THIS SHEET FOR BUILDING SERVICE.
- PROVIDE ALL WEATHER PROOF BLANKS.
- WEATHER PROOF GFI RECEPTACLE WITH METAL IN-USE COVER MOUNTED ON PARAPET WALL FOR HOLIDAY LIGHTING. COORDINATE EXACT LOCATION WITH ARCHITECT PRIOR TO ROUGH IN.
- REFER TO DETAIL 2, DRAWING E3.1.
- FUTURE 400 METER SOCKETS.

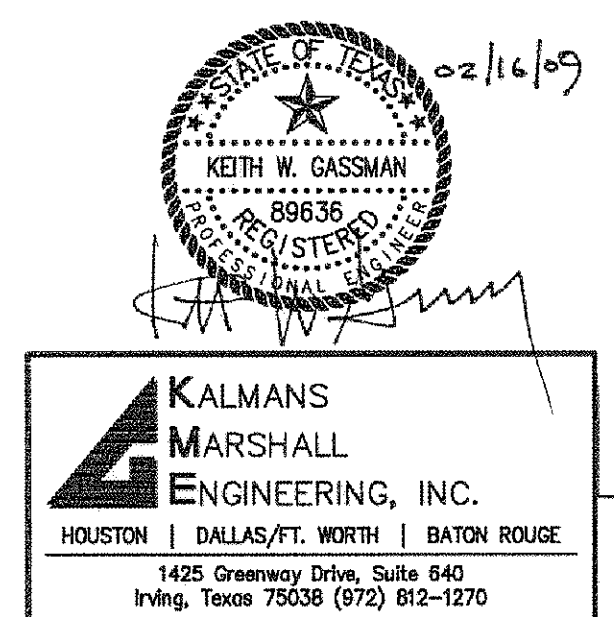
**Hermes Architects**

Members A.I.A.  
1177 West Loop South, Suite 500  
Houston, Texas 77027  
Tel: 713-785-3644  
Fax: 713-951-2515  
www.hermesarchitects.com

LEASE BUILDING AT CROSSROADS MALL  
6906 WESLEY STREET  
GREENVILLE, TEXAS

Crossroads  
GREENVILLE PROPERTIES LTD  
10850 WILCHIRE BLVD.  
SUITE 1050  
LOS ANGELES, CA 90024

DATE 02/16/09  
PROJECT NO. 809500  
DRAWN BY  
CHECKED BY



**KALMANS MARSHALL ENGINEERING, INC.**  
HOUSTON | DALLAS/FT. WORTH | BATON ROUGE  
1425 Greenway Drive, Suite 640  
Irving, Texas 75038 (972) 612-1270

FLOOR PLAN ELECTRICAL

E2.1